



US00D470482S

(12) **United States Design Patent**
Ikeda

(10) **Patent No.:** **US D470,482 S**

(45) **Date of Patent:** **** Feb. 18, 2003**

(54) **ANTENNA CHASSIS**

(75) **Inventor:** **Eiji Ikeda, Tomioka (JP)**

(73) **Assignee:** **Yokowo Co., Ltd., Tokyo (JP)**

(**) **Term:** **14 Years**

(21) **Appl. No.:** **29/159,574**

(22) **Filed:** **Apr. 25, 2002**

(30) **Foreign Application Priority Data**

Dec. 10, 2001 (JP) 2001-036271

(51) **LOC (7) Cl.** **14-03**

(52) **U.S. Cl.** **D14/230**

(58) **Field of Search** D14/137-138,
D14/299, 230, 232, 233, 235-238, 155,
341, 343-345, 358, 388; 343/702, 872,
873; 455/90-92, 95, 128, 347, 575

(56) **References Cited**

U.S. PATENT DOCUMENTS

D262,457 S * 12/1981 Swales D14/155
D317,795 S * 6/1991 Taki D21/550
D325,733 S * 4/1992 Suzuki et al. D14/137
D339,352 S * 9/1993 Giles et al. D14/232

D376,367 S * 12/1996 Mailandt D14/230

D388,088 S * 12/1997 Bond et al. D14/155

D418,126 S * 12/1999 Gunby D14/388

6,433,742 B1 * 8/2002 Crawford 343/702

* cited by examiner

Primary Examiner—Louis S. Zarfes

Assistant Examiner—Deanne Levy

(74) *Attorney, Agent, or Firm*—Morgan, Lewis & Bockius
LLP

(57) **CLAIM**

The ornamental design for an antenna chassis, as shown and described.

DESCRIPTION

FIG. 1 is a perspective view of the top, front and right side of an antenna chassis showing my new design;

FIG. 2 is a front view thereof;

FIG. 3 is a rear view thereof;

FIG. 4 is a right side view thereof;

FIG. 5 is a top plan view thereof;

FIG. 6 is a bottom view thereof; and,

FIG. 7 is an enlarged cross sectional view at 7—7 showing in FIG. 2.

1 Claim, 2 Drawing Sheets

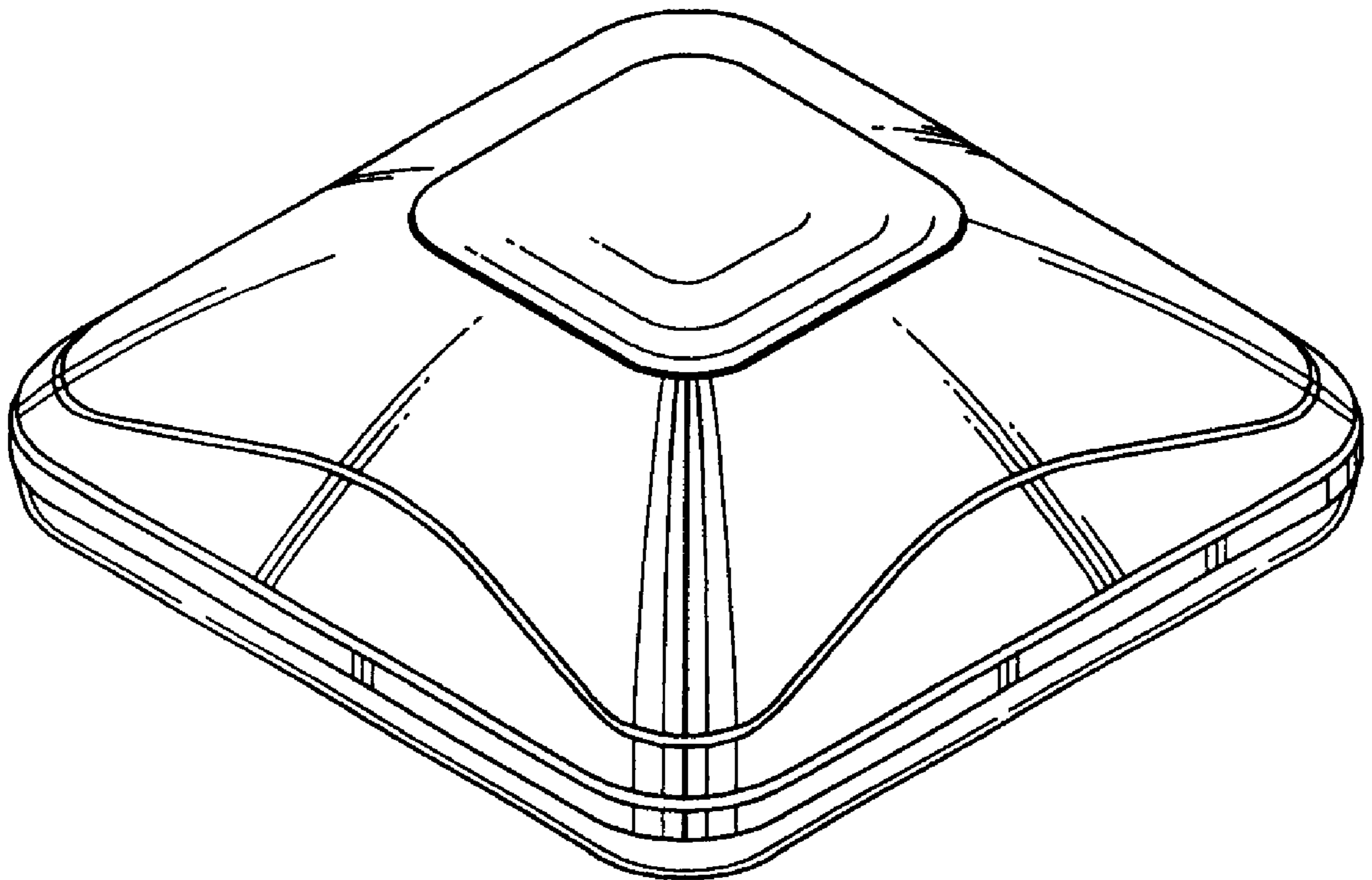


FIG. 1

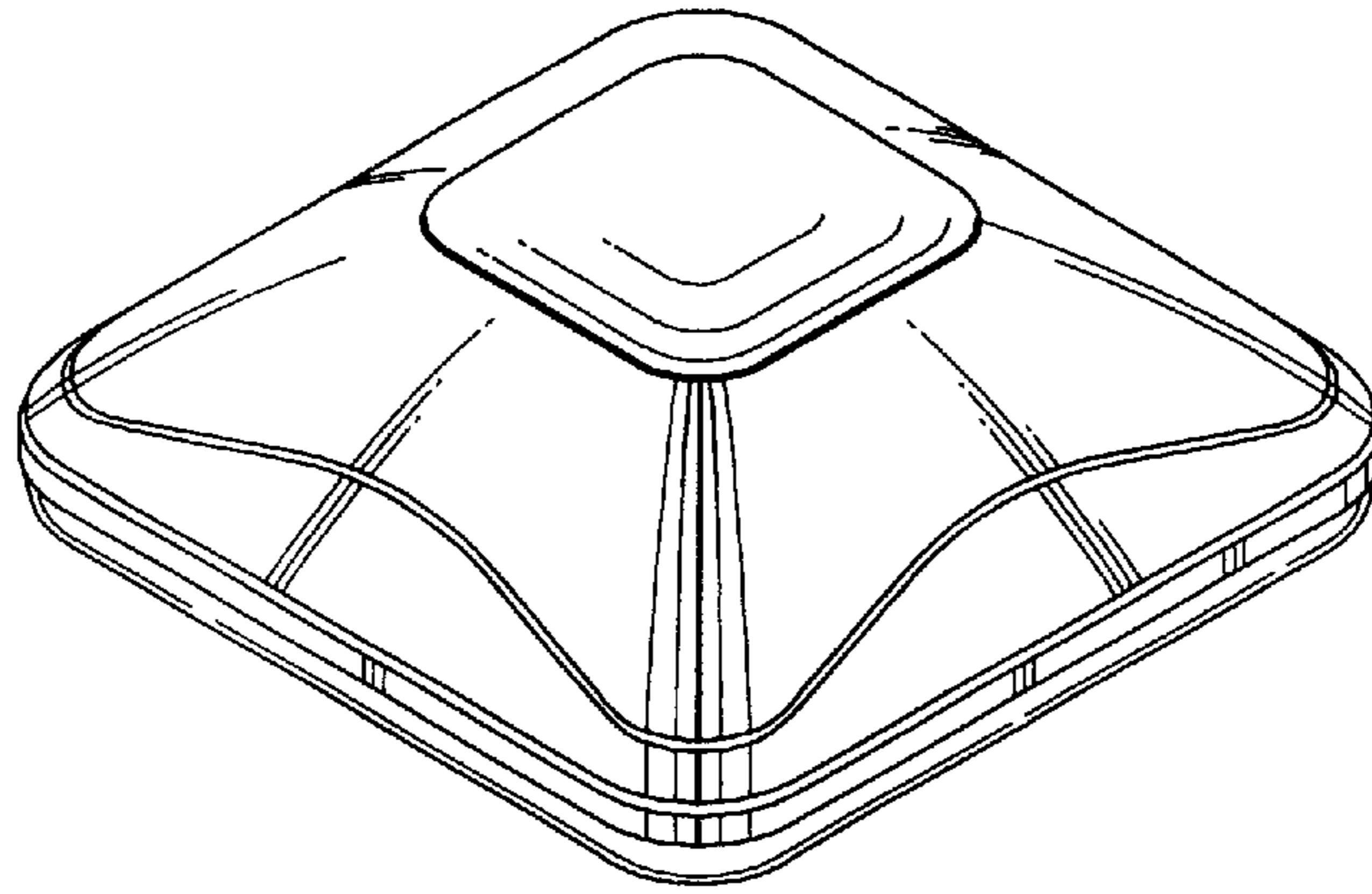


FIG. 2

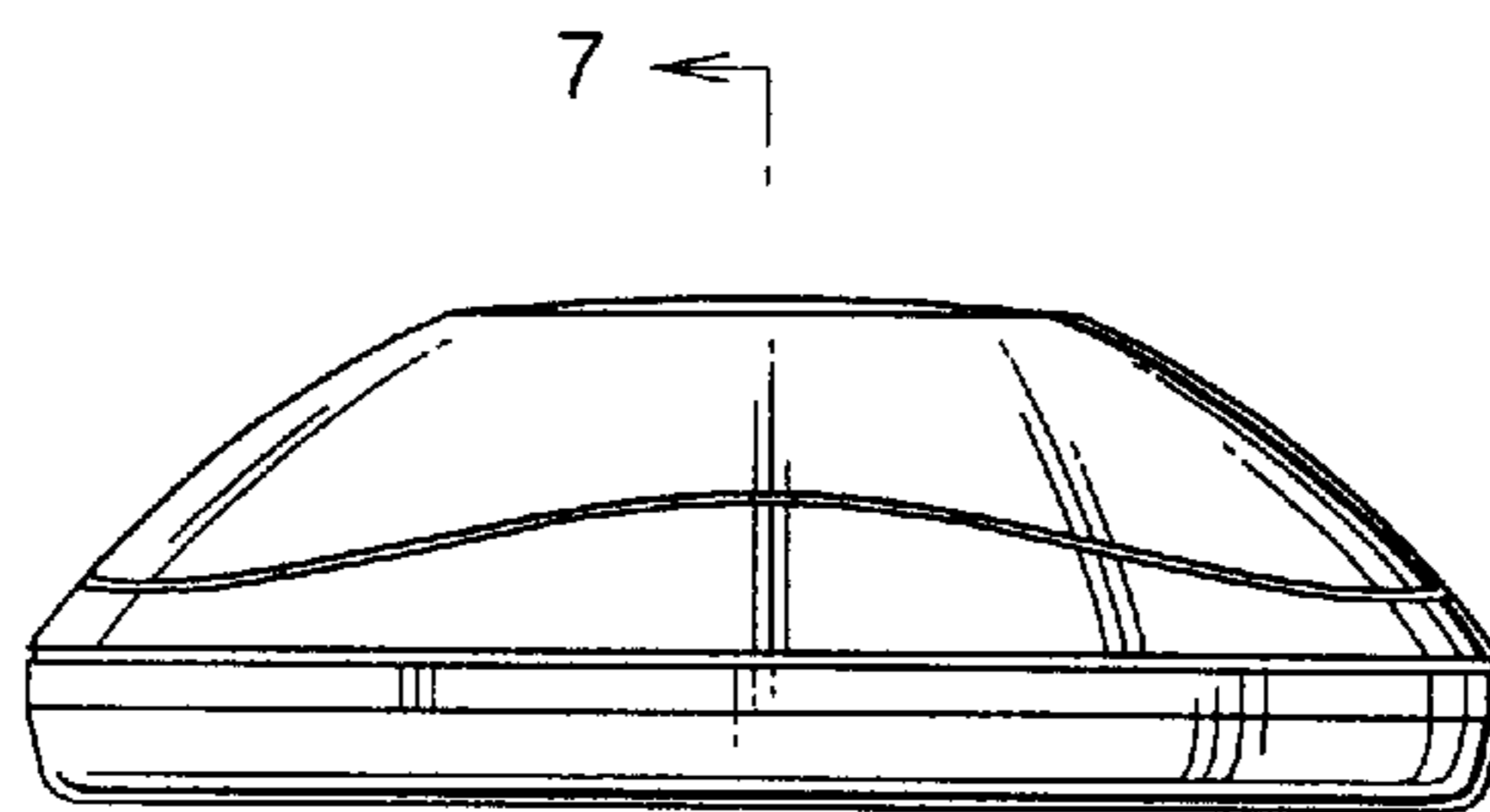


FIG. 3

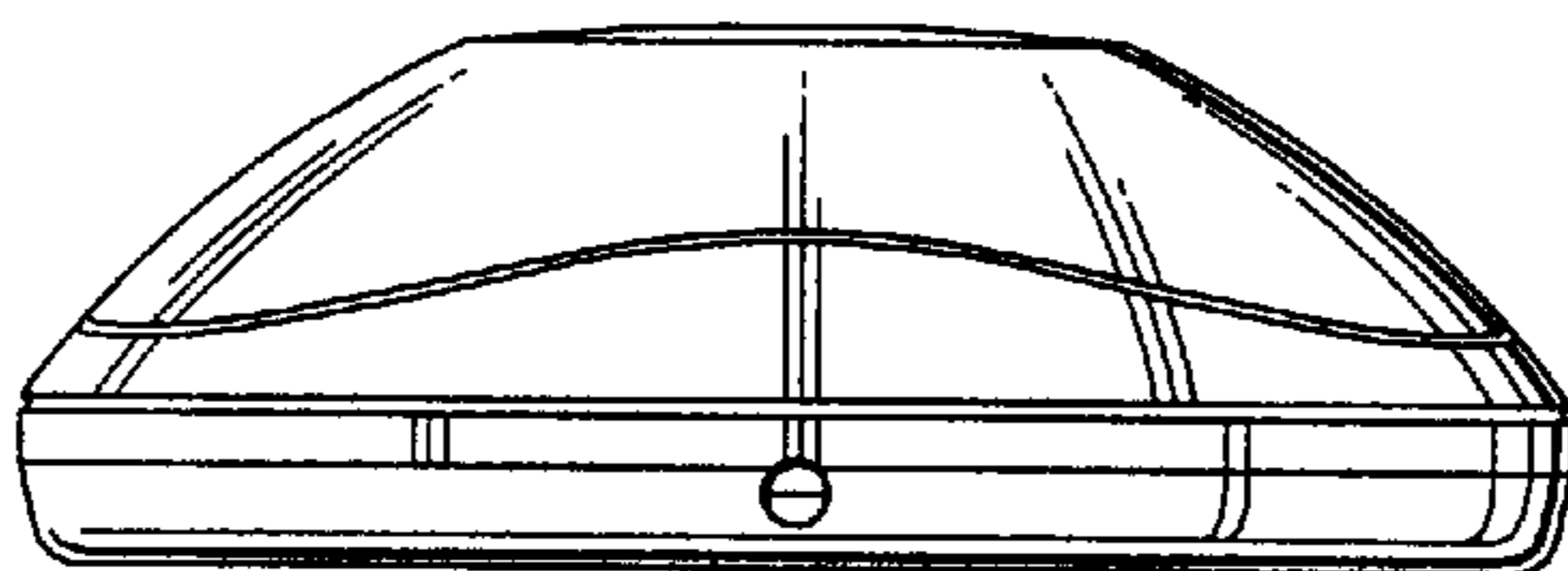


FIG. 4

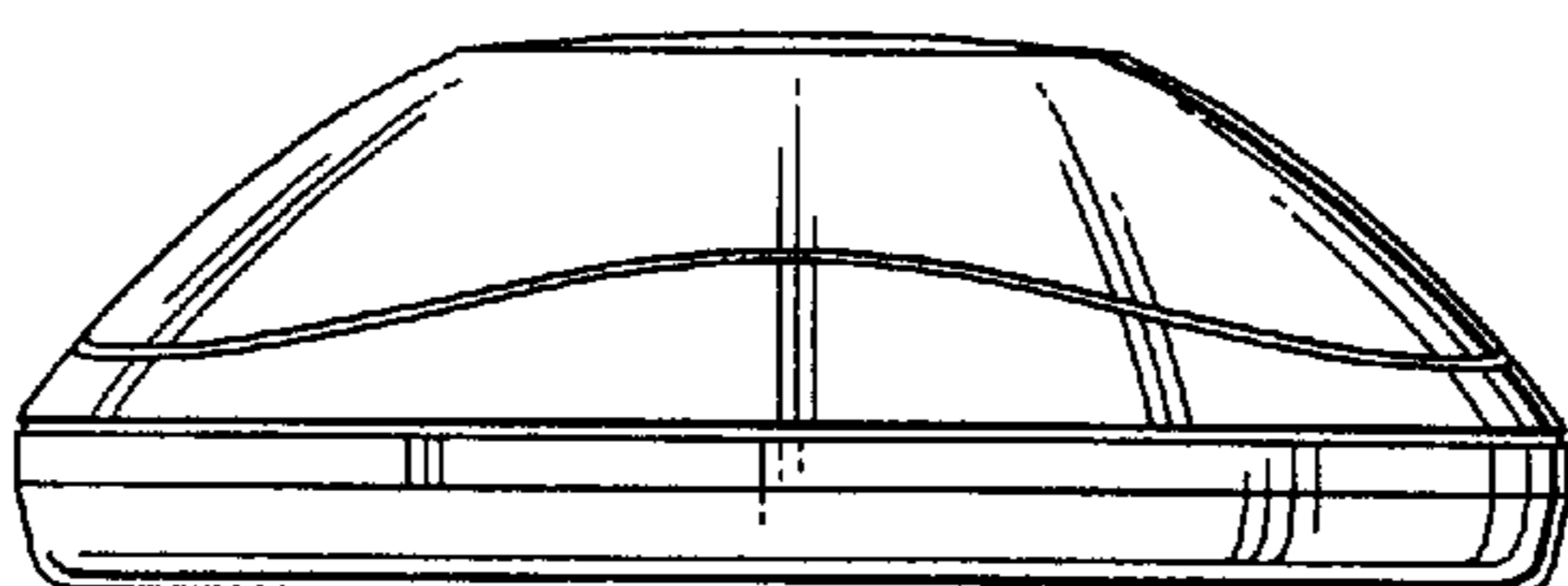


FIG. 5

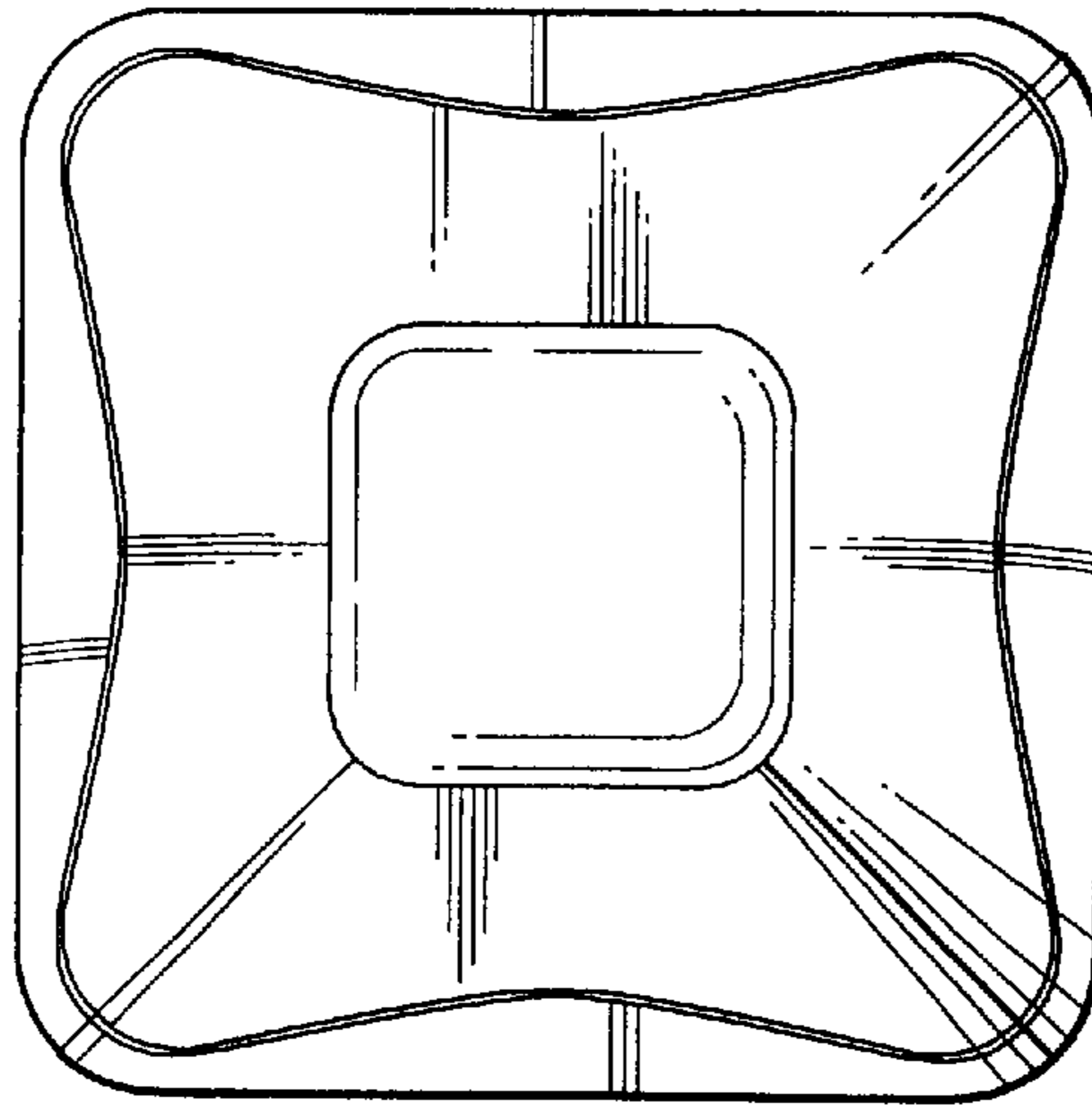


FIG. 6

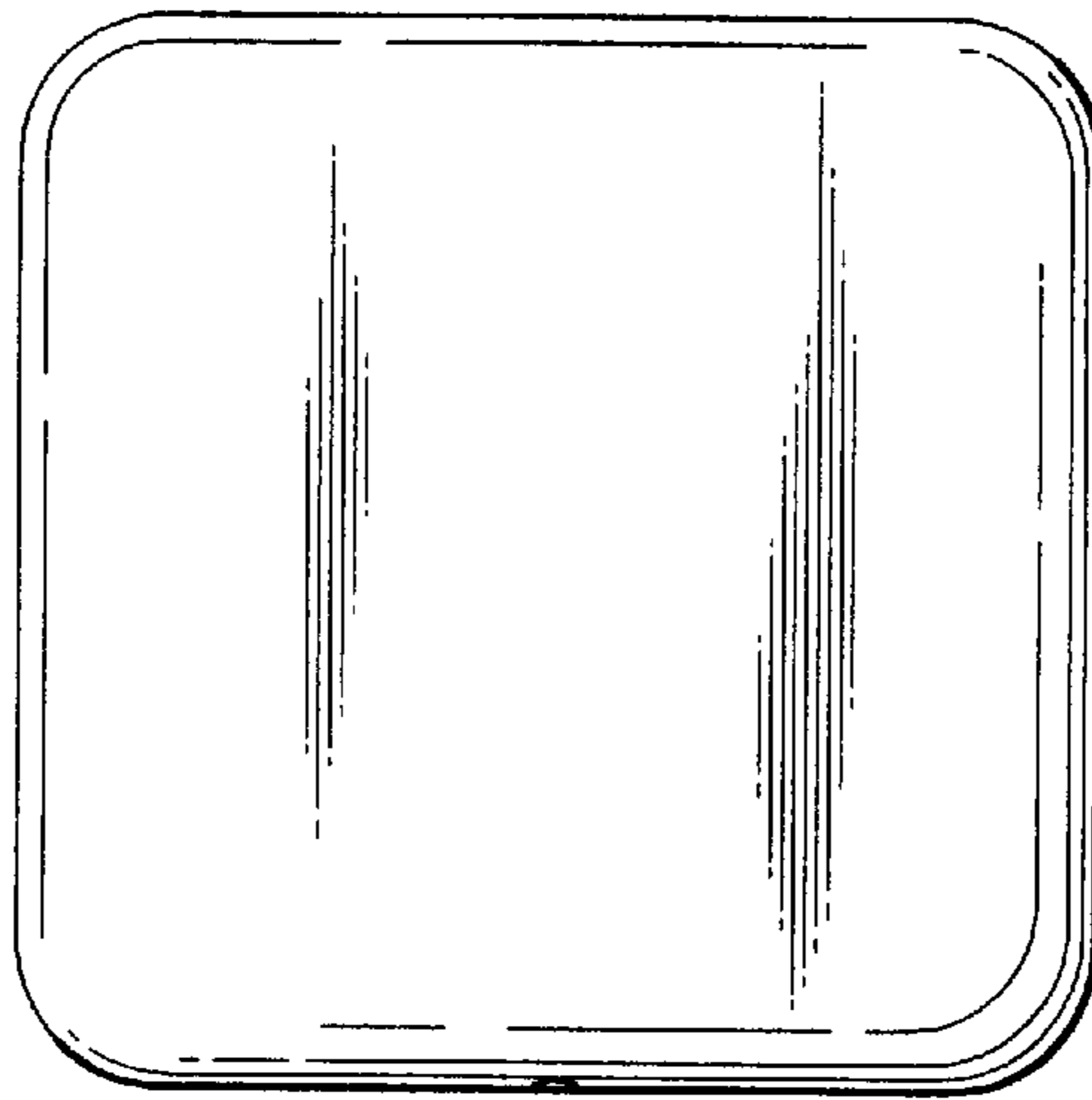


FIG. 7

