



US00D470476S

(12) **United States Design Patent**  
**Solland**

(10) **Patent No.:** **US D470,476 S**

(45) **Date of Patent:** **\*\* Feb. 18, 2003**

(54) **PORTION OF A SPEAKER HOUSING**

D448,753 S \* 10/2001 Masui ..... D14/214

(75) Inventor: **Kurt Solland**, Westlake Village, CA (US)

(73) Assignee: **Harman International Industries, Inc.**, Northridge, CA (US)

(\*\*) Term: **14 Years**

(21) Appl. No.: **29/157,354**

(22) Filed: **Mar. 19, 2002**

(51) **LOC (7) Cl.** ..... **14-01**

(52) **U.S. Cl.** ..... **D14/216**

(58) **Field of Search** ..... D14/204, 207, D14/209-216, 356; 181/144-145, 147-148, 150, 153, 157, 198-199; 381/300-302, 306, 333, 345, 361-364, 386-388

(56) **References Cited**

**U.S. PATENT DOCUMENTS**

D329,235 S	*	9/1992	Sarmiento	.....	D14/215
D401,241 S	*	11/1998	Runquist et al.	.....	D14/214
D419,560 S	*	1/2000	Cheung	.....	D14/216
D443,605 S	*	6/2001	Chiang	.....	D14/214

**OTHER PUBLICATIONS**

Compaq Presario 5062 Speaker, Radio Shack advertisement.\*

\* cited by examiner

*Primary Examiner*—Nanda Bondade

(74) *Attorney, Agent, or Firm*—Banner & Witcoff, Ltd.

(57) **CLAIM**

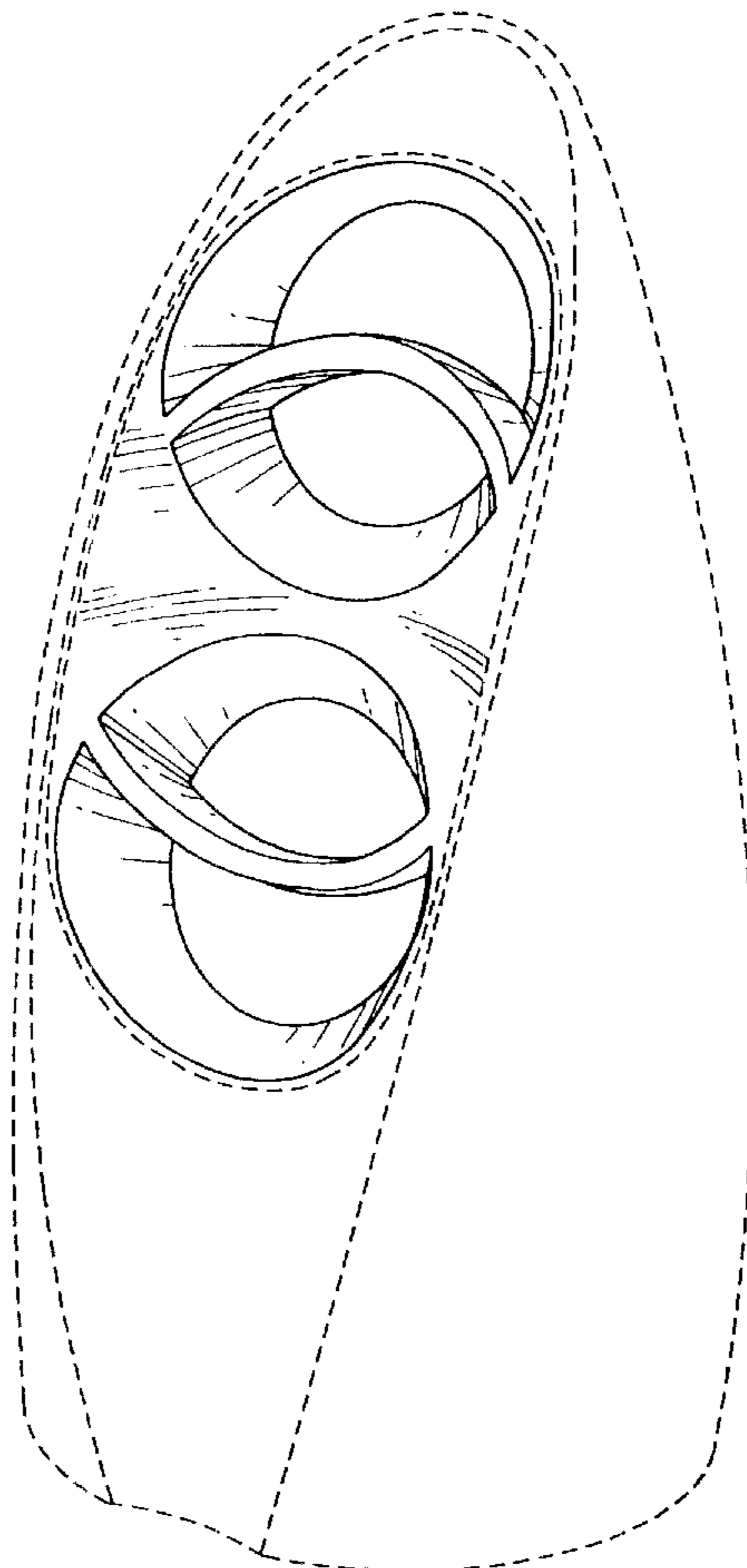
The ornamental design for a portion of a speaker housing, as shown and described.

**DESCRIPTION**

FIG. 1 is a perspective view of a portion of a speaker housing showing my new design; FIG. 2 is a top plan thereof; and, FIG. 3 is a front elevational view thereof.

The broken line oval immediately adjacent to the shaded areas on FIGS. 1-3 represents the bounds of the claimed design and form no part thereof. The broken line showing of the speaker housing in FIGS. 1-3 is for illustrative purposes only and forms no part of the claimed design.

**1 Claim, 2 Drawing Sheets**



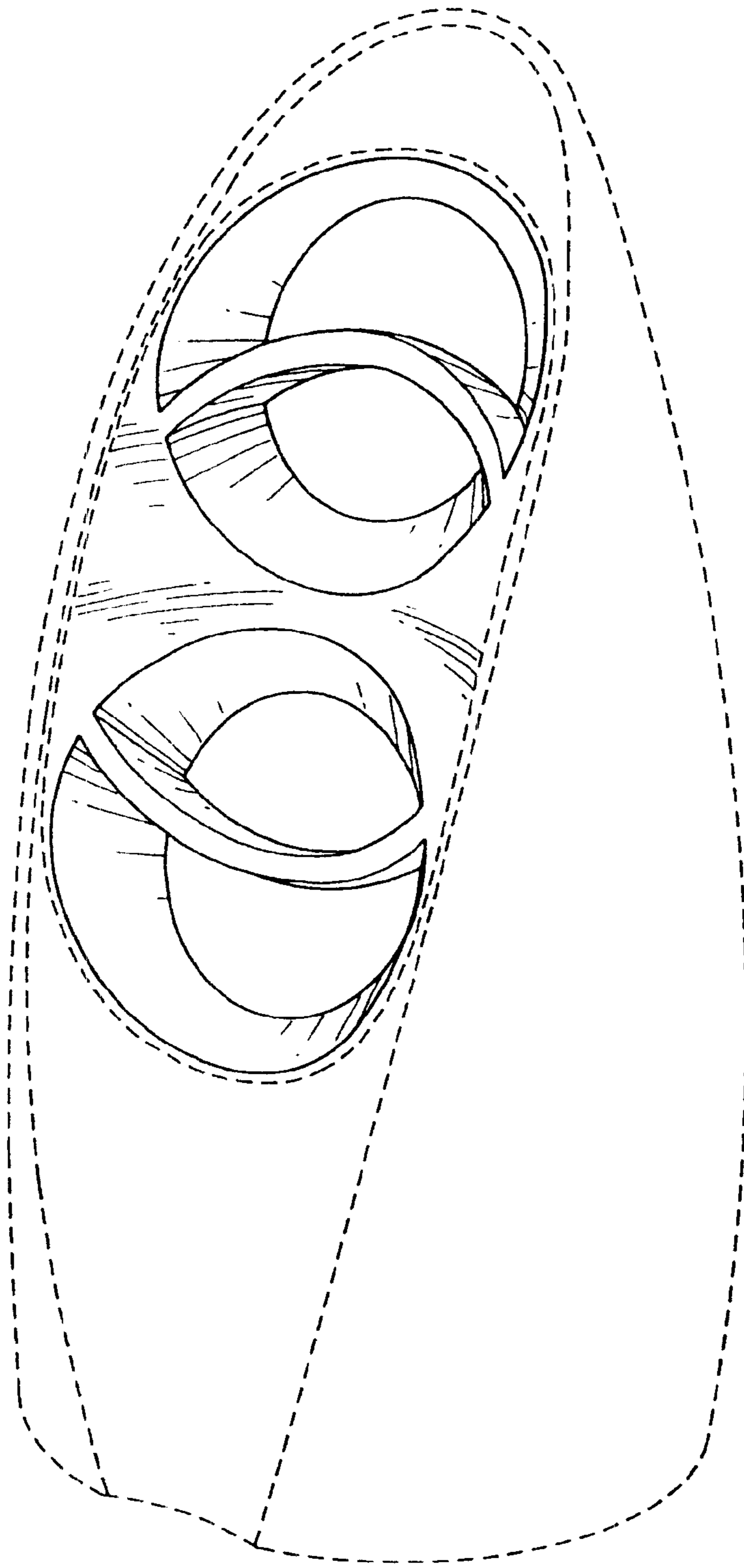


FIG. 1

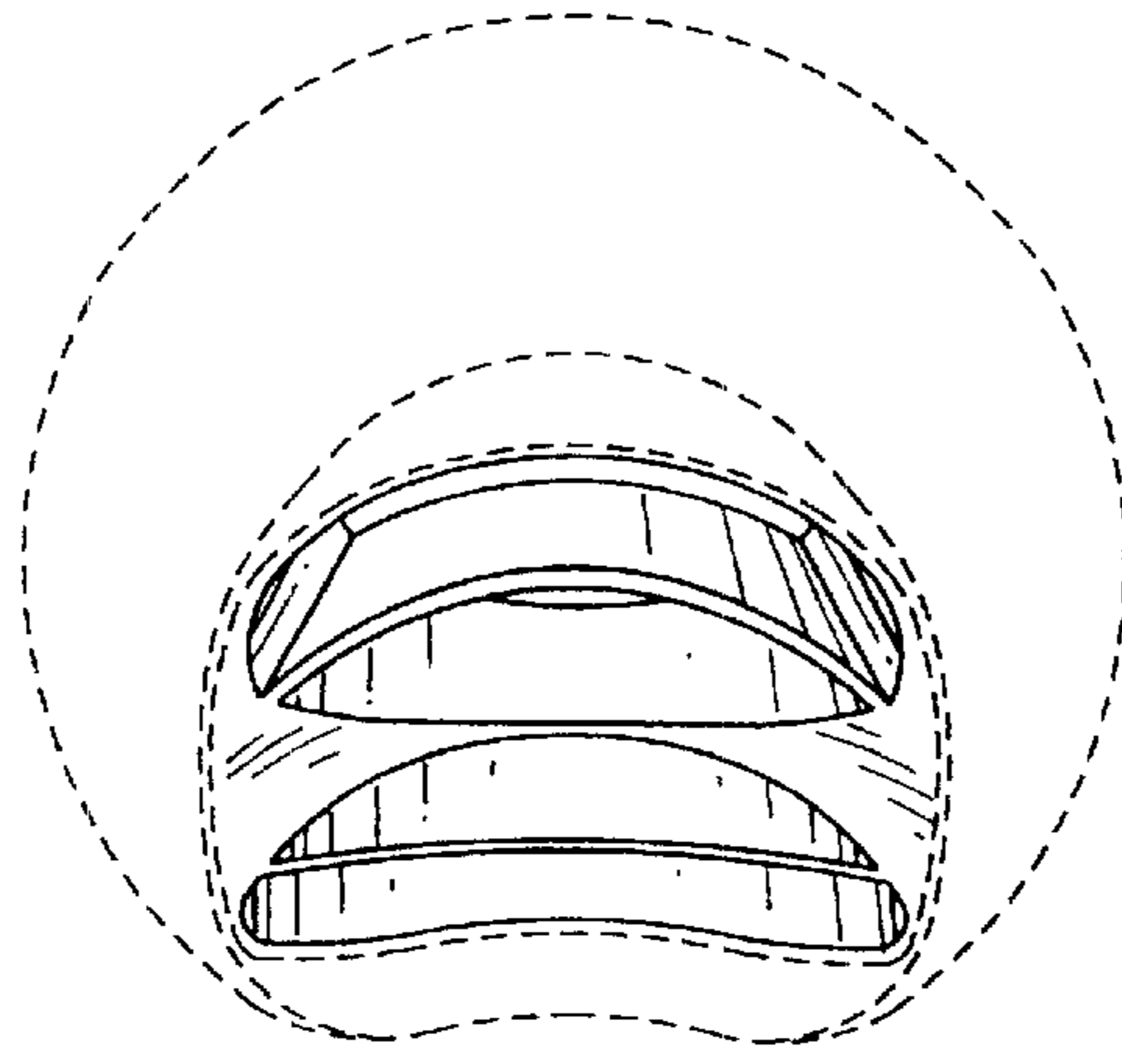


FIG. 2

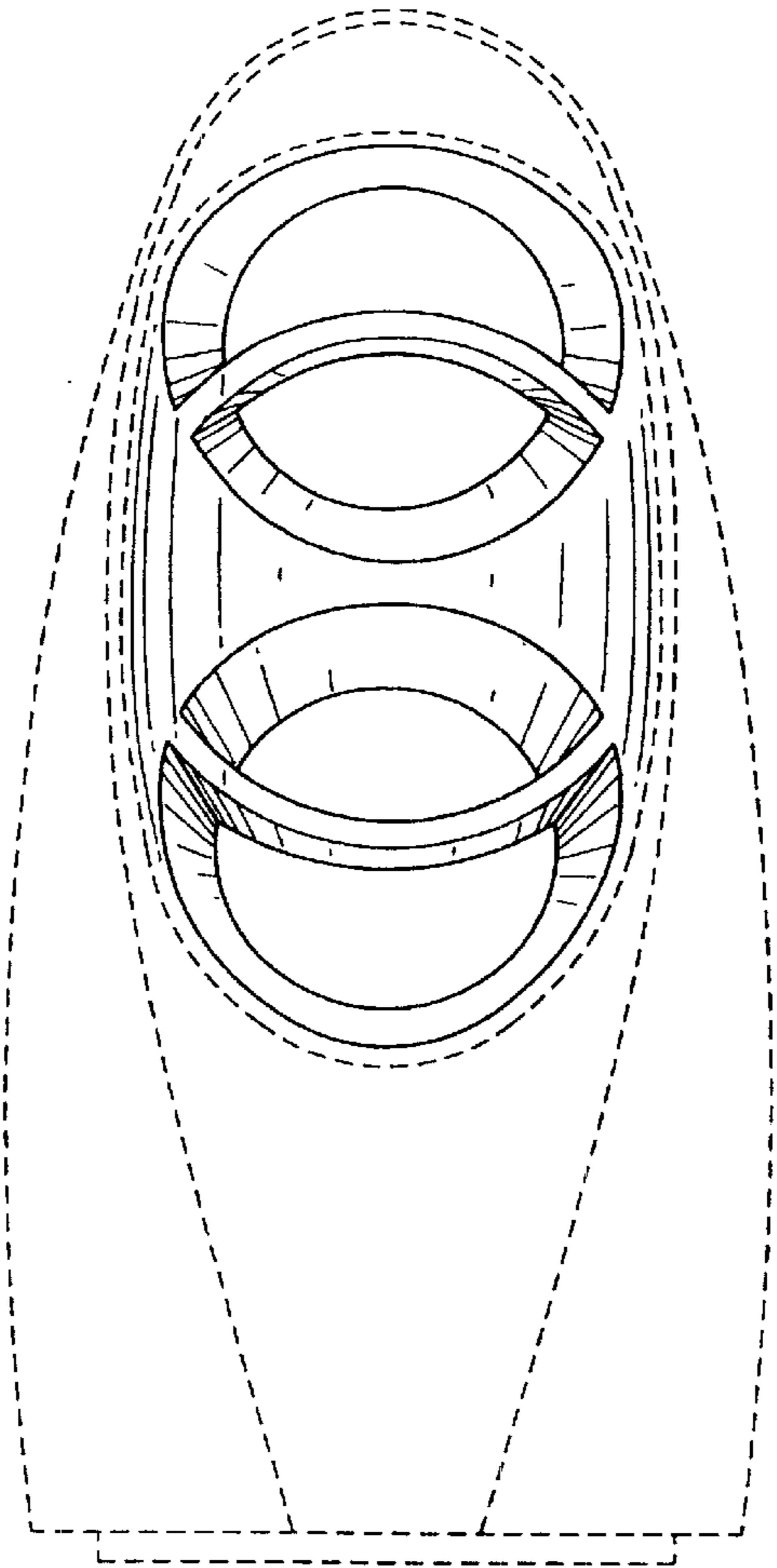


FIG. 3