



US00D470474S

(12) **United States Design Patent**
Kobayashi

(10) **Patent No.:** **US D470,474 S**

(45) **Date of Patent:** **** Feb. 18, 2003**

(54) **SPEAKER BOX**

(75) Inventor: **Takayuki Kobayashi**, Tokyo (JP)

(73) Assignee: **Sony Corporation**, Tokyo (JP)

(**) Term: **14 Years**

(21) Appl. No.: **29/150,023**

(22) Filed: **Oct. 31, 2001**

(51) **LOC (7) Cl.** **14-01**

(52) **U.S. Cl.** **D14/215**

(58) **Field of Search** D14/204, 207,
D14/209-216; 181/144-145, 147-148,
150, 153, 157, 198-199; 381/300-302,
307, 345, 361-364, 386

(56) **References Cited**

U.S. PATENT DOCUMENTS

4,805,729	A	*	2/1989	Wascom	181/144
D421,991	S		3/2000	Matsuoka		
D434,751	S	*	12/2000	Sogabe et al.	D14/215
D437,307	S		2/2001	Tejima		

OTHER PUBLICATIONS

Catalog 98 "MDLP MD MZ-E501," p. 345, Sony Corporation (Jul. 2001).

* cited by examiner

Primary Examiner—Nanda Bondade

(74) *Attorney, Agent, or Firm*—Rader, Fishman & Grauer PLLC

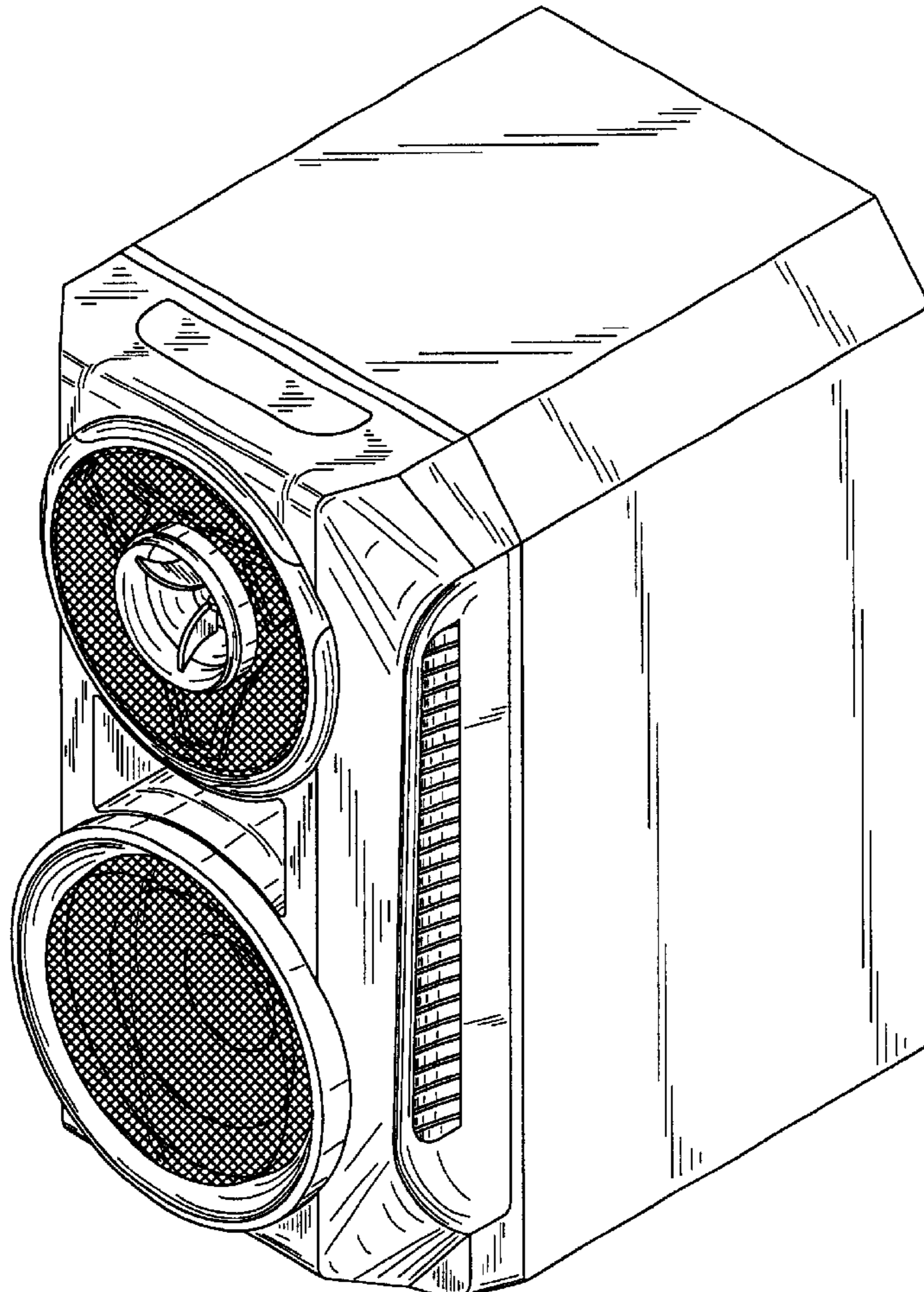
(57) **CLAIM**

The ornamental design for a speaker box, as shown and described.

DESCRIPTION

FIG. 1 is a perspective view of a speaker box showing my new design;
FIG. 2 is a front elevational view thereof;
FIG. 3 is a rear elevational view thereof;
FIG. 4 is a left side elevational view thereof;
FIG. 5 is a right side elevational view thereof;
FIG. 6 is a top plan view thereof; and,
FIG. 7 is a bottom plan view thereof.

1 Claim, 4 Drawing Sheets



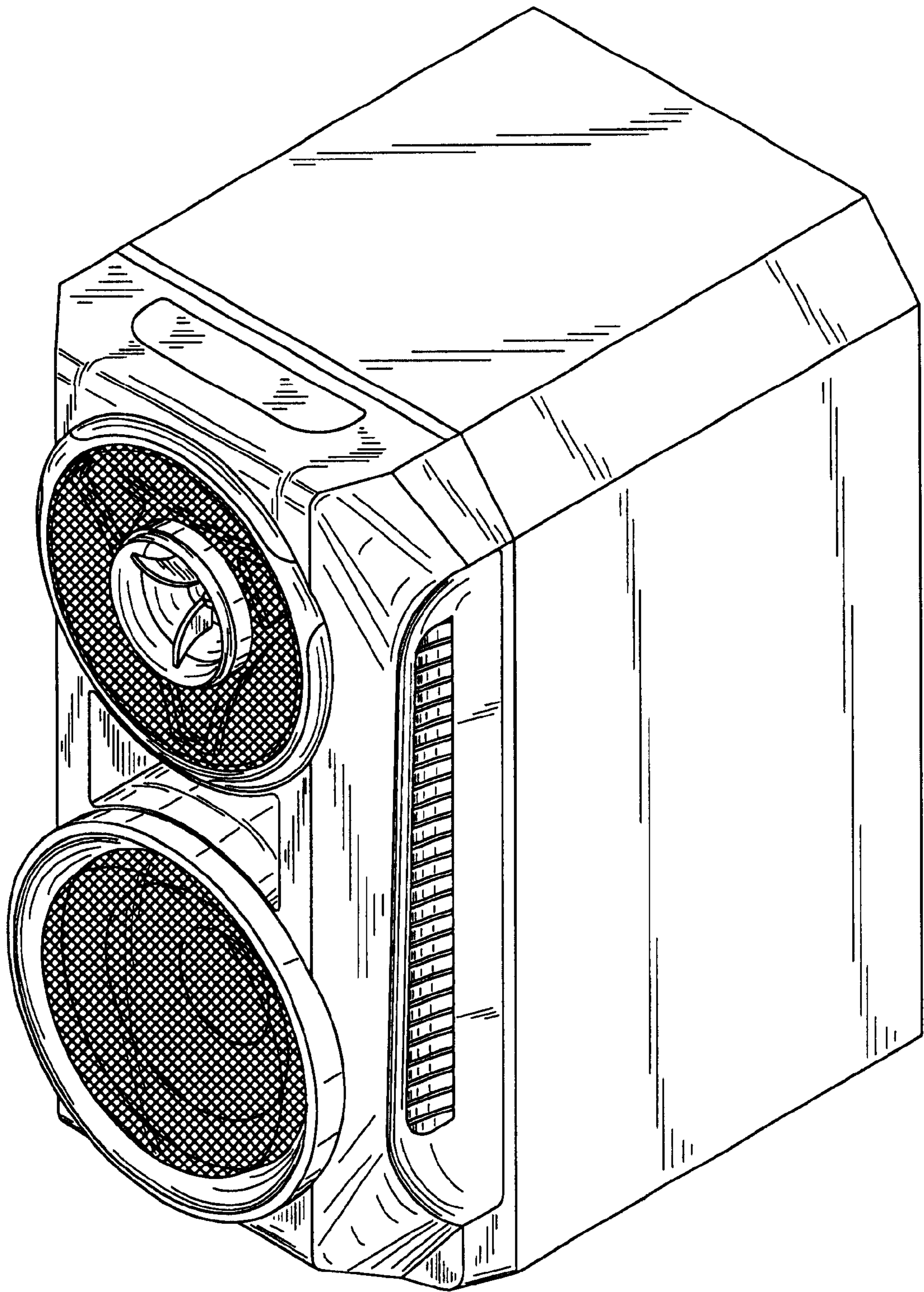


Fig. 1

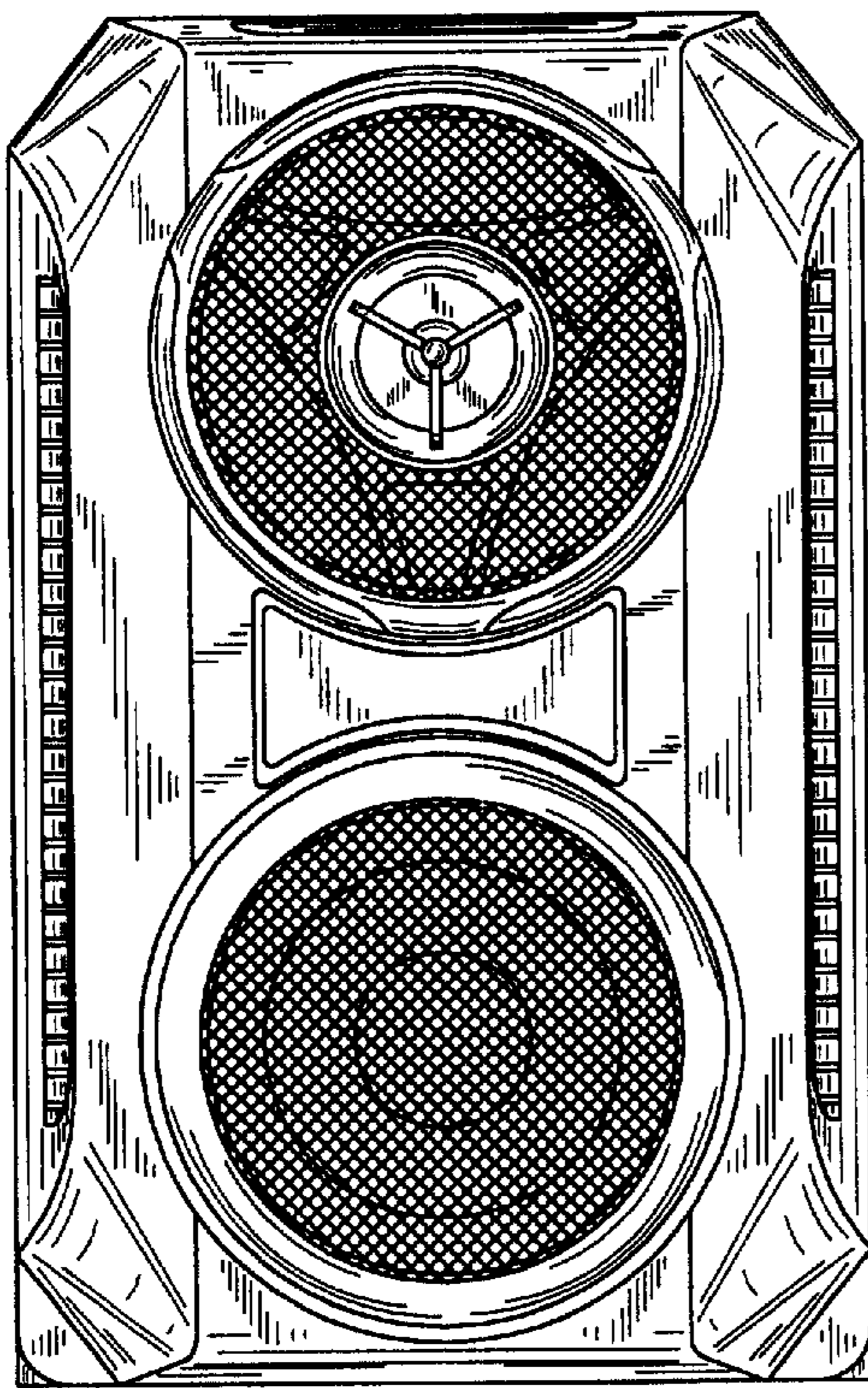


Fig. 2

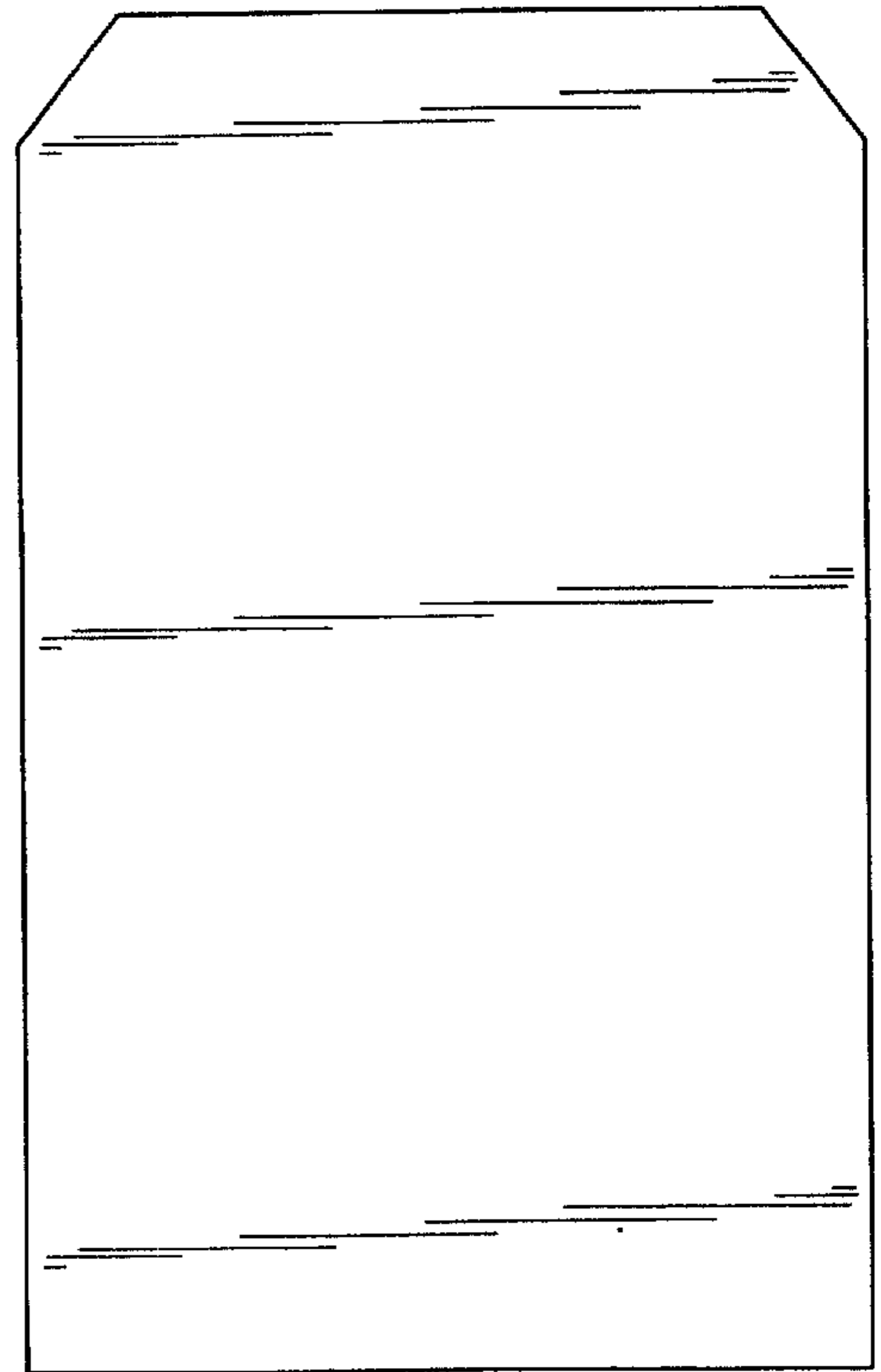


Fig. 3

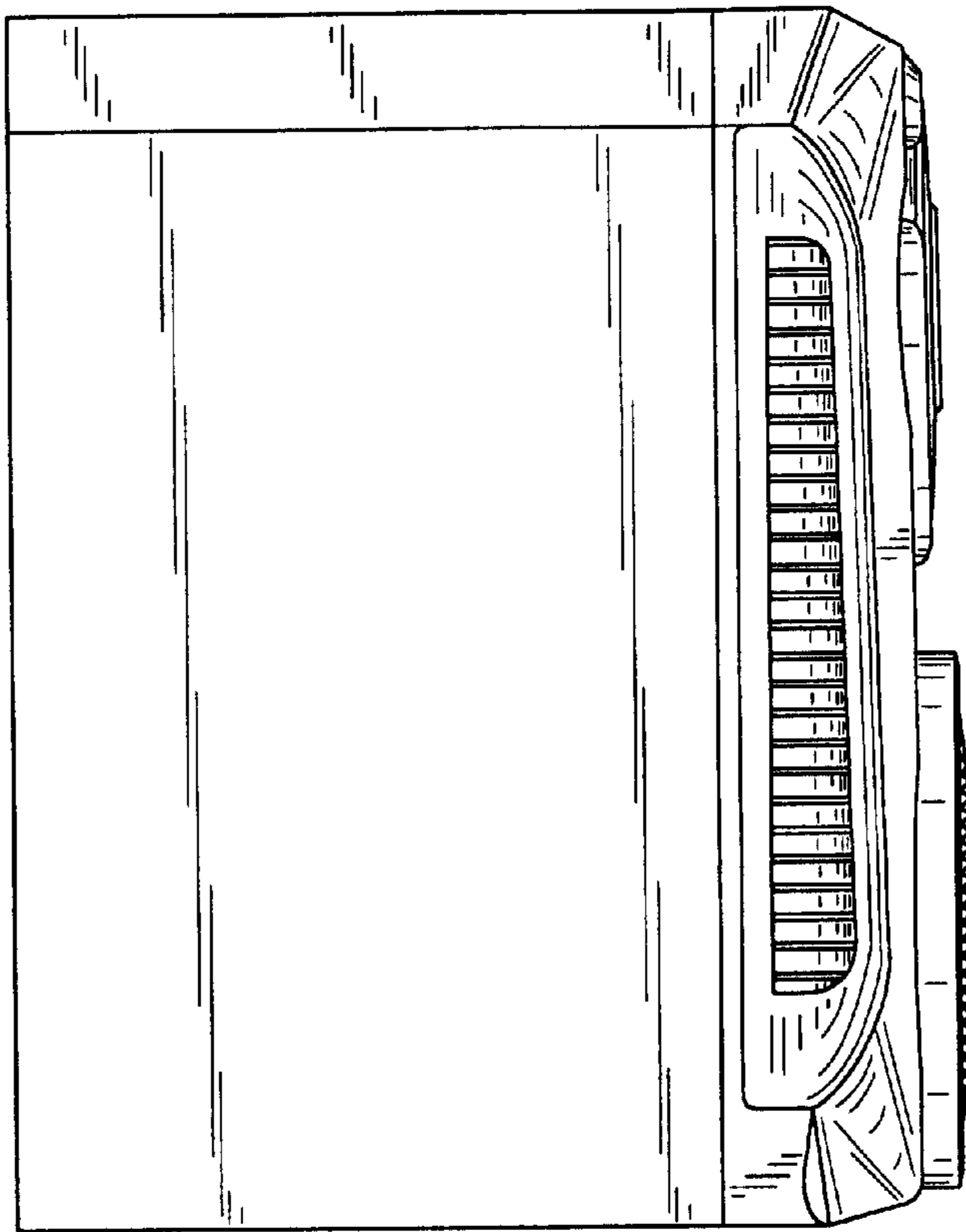


Fig. 4

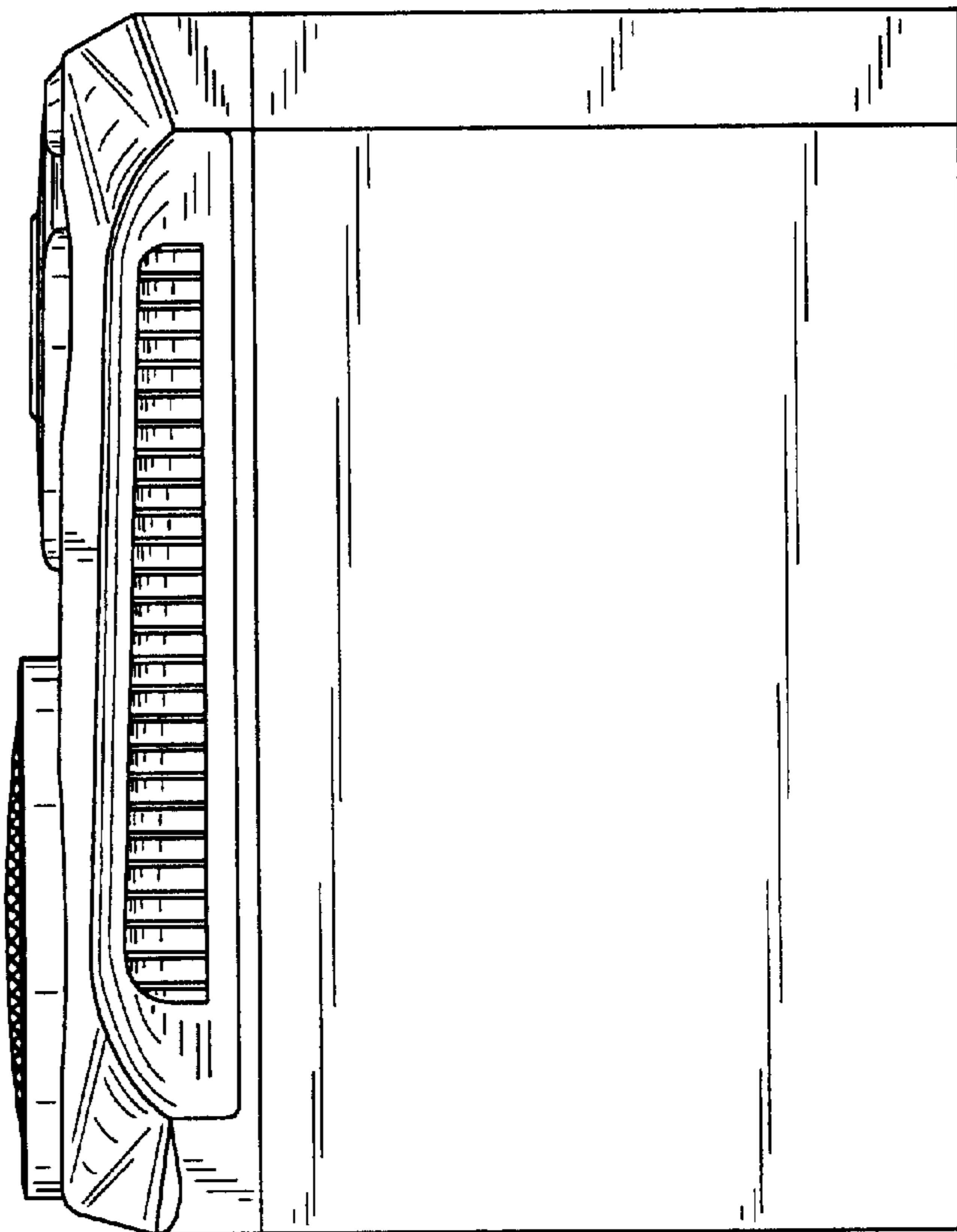


Fig. 5

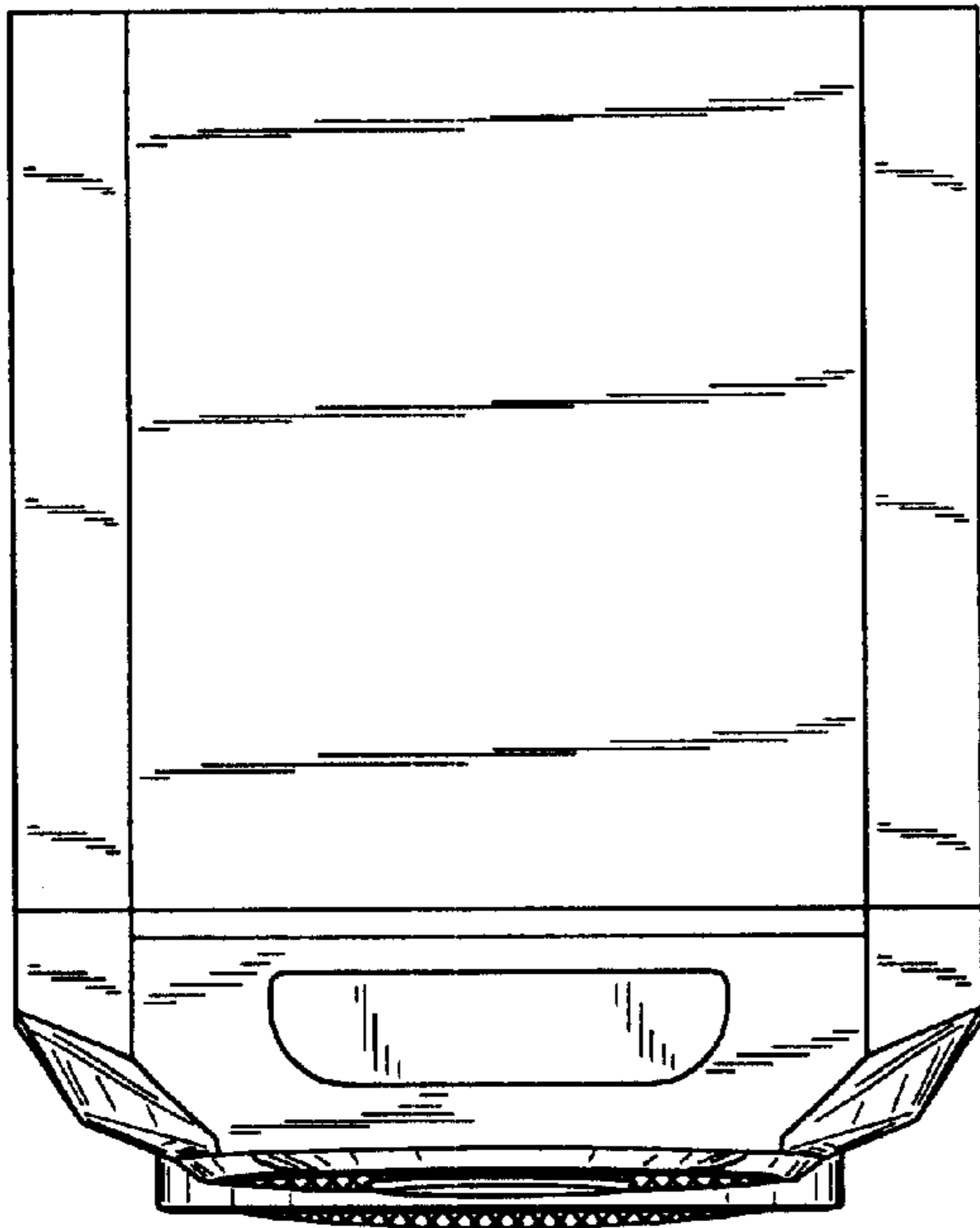


Fig. 6

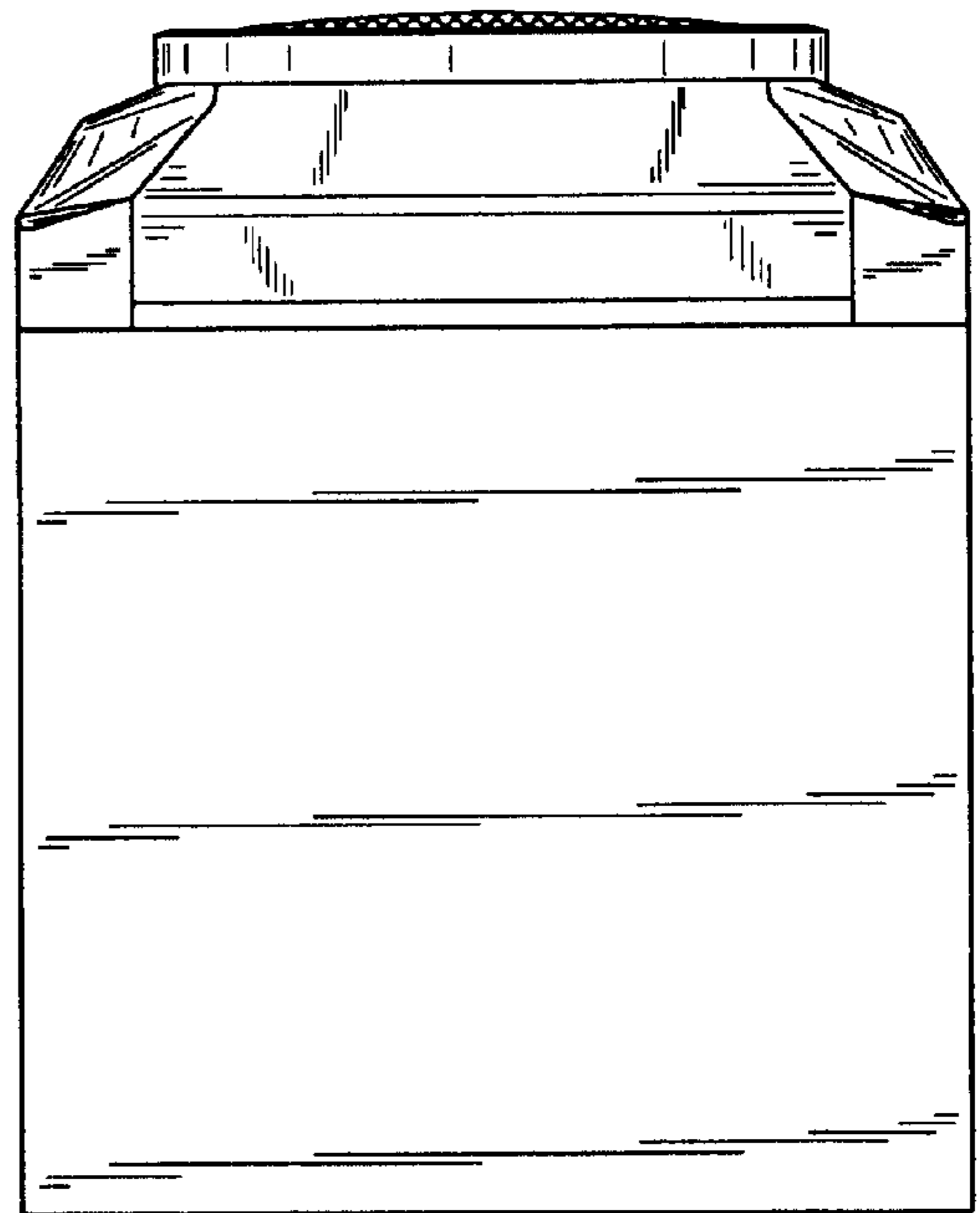


Fig. 7