



US00D470472S

(12) **United States Design Patent**
Liu

(10) **Patent No.:** **US D470,472 S**

(45) **Date of Patent:** **** Feb. 18, 2003**

(54) **SPEAKER**

(75) **Inventor:** **Ping-Hsiung Liu, Taipei (TW)**

(73) **Assignee:** **Calix Technology Co., Ltd., Tainan (TW)**

(**) **Term:** **14 Years**

(21) **Appl. No.:** **29/150,004**

(22) **Filed:** **Oct. 30, 2001**

(51) **LOC (7) Cl.** **14-01**

(52) **U.S. Cl.** **D14/214**

(58) **Field of Search** D14/204, 207,
D14/209-216; 181/144-145, 147-148,
150, 153, 157, 198-199; 381/300-302,
307, 345, 361-364, 386

(56) **References Cited**

U.S. PATENT DOCUMENTS

4,805,729 A * 2/1989 Wascom 181/153
D343,230 S * 1/1994 Lim D14/214

D388,790 S * 1/1998 Wu D14/214
D403,324 S * 12/1998 Horikoshi D14/214
5,933,509 A * 8/1999 Wu 181/199
D436,587 S * 1/2001 Liu et al. D14/214

* cited by examiner

Primary Examiner—Nanda Bondade

(74) *Attorney, Agent, or Firm*—Rosenberg, Klein & Lee

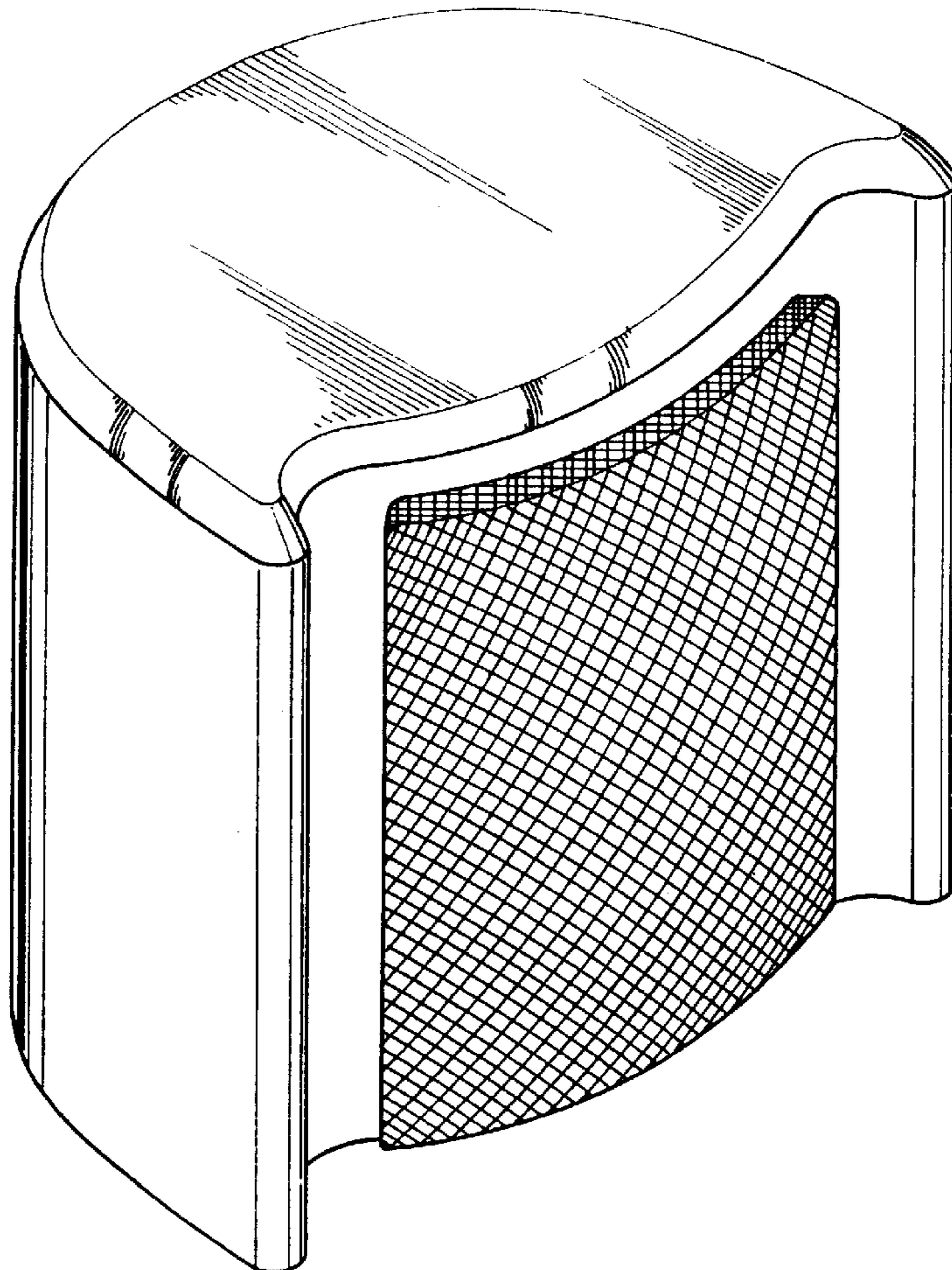
(57) **CLAIM**

The ornamental design for a speaker, as shown and described.

DESCRIPTION

FIG. 1 is a perspective view of a speaker showing my new design;
FIG. 2 is a front elevational view thereof;
FIG. 3 is a rear elevational view thereof;
FIG. 4 is a left side elevational view thereof;
FIG. 5 is a right side elevational view thereof;
FIG. 6 is a top plan view thereof; and,
FIG. 7 is a bottom plan view thereof.

1 Claim, 4 Drawing Sheets



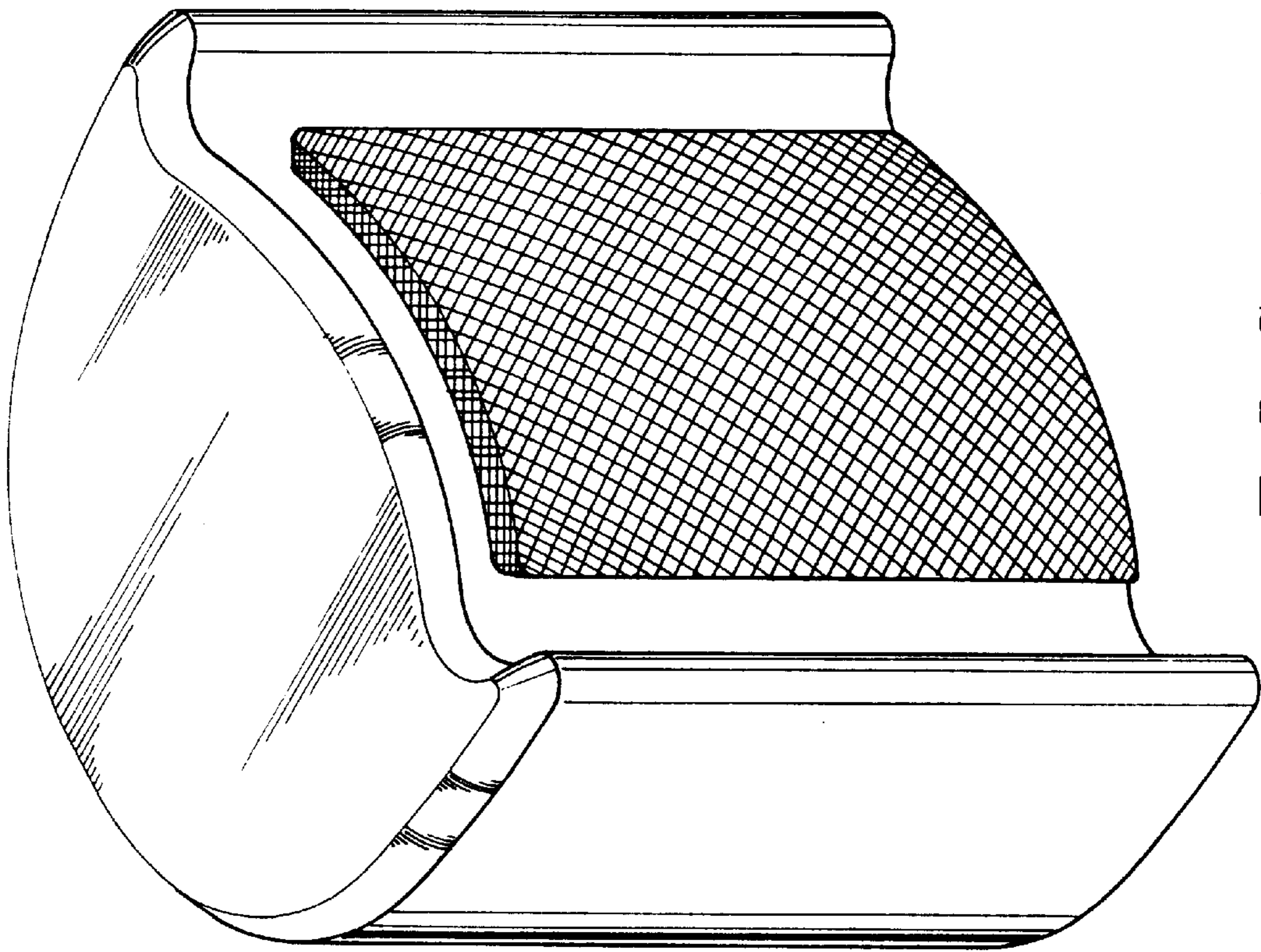


FIG. 1

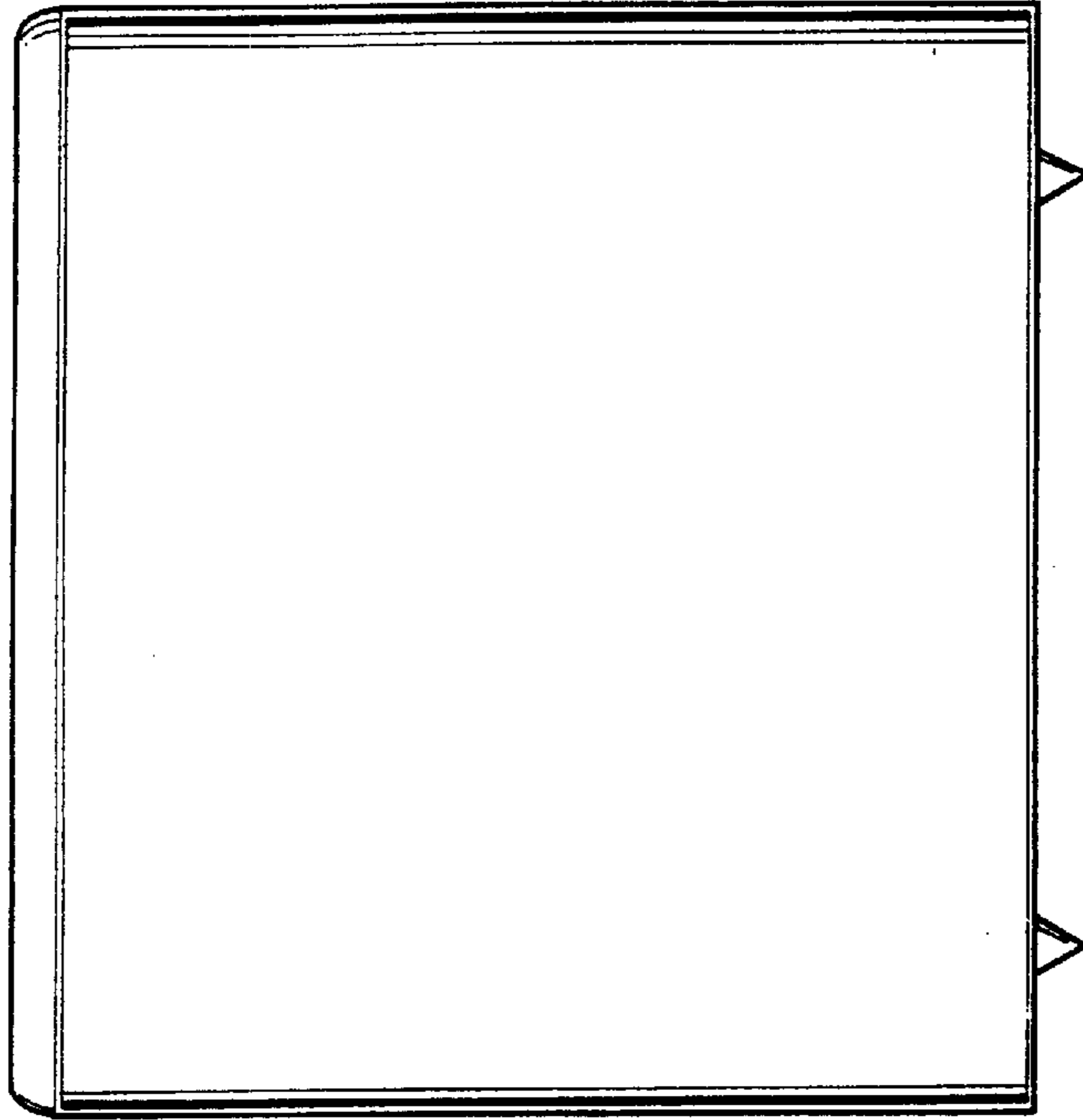


FIG. 3

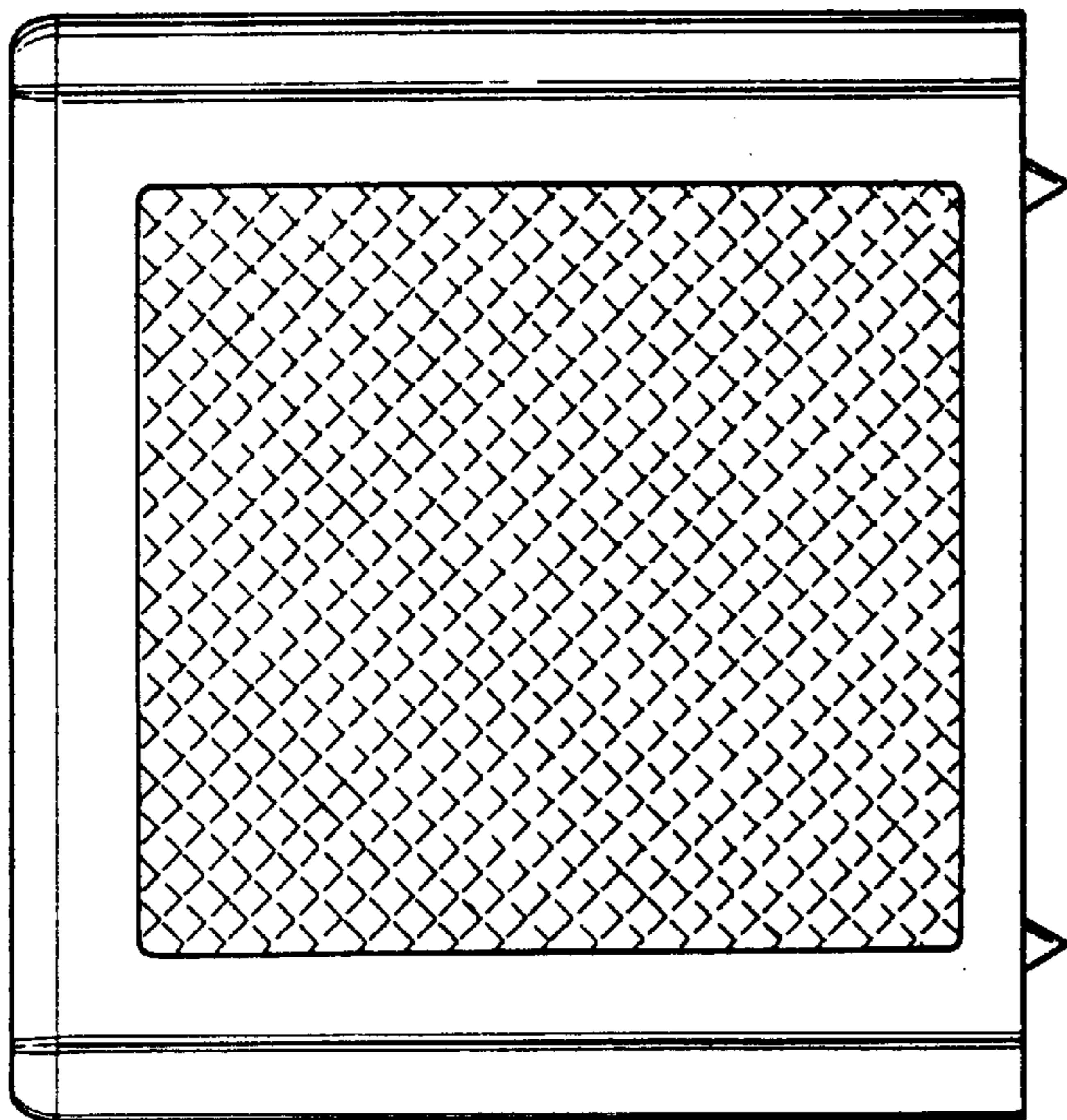


FIG. 2

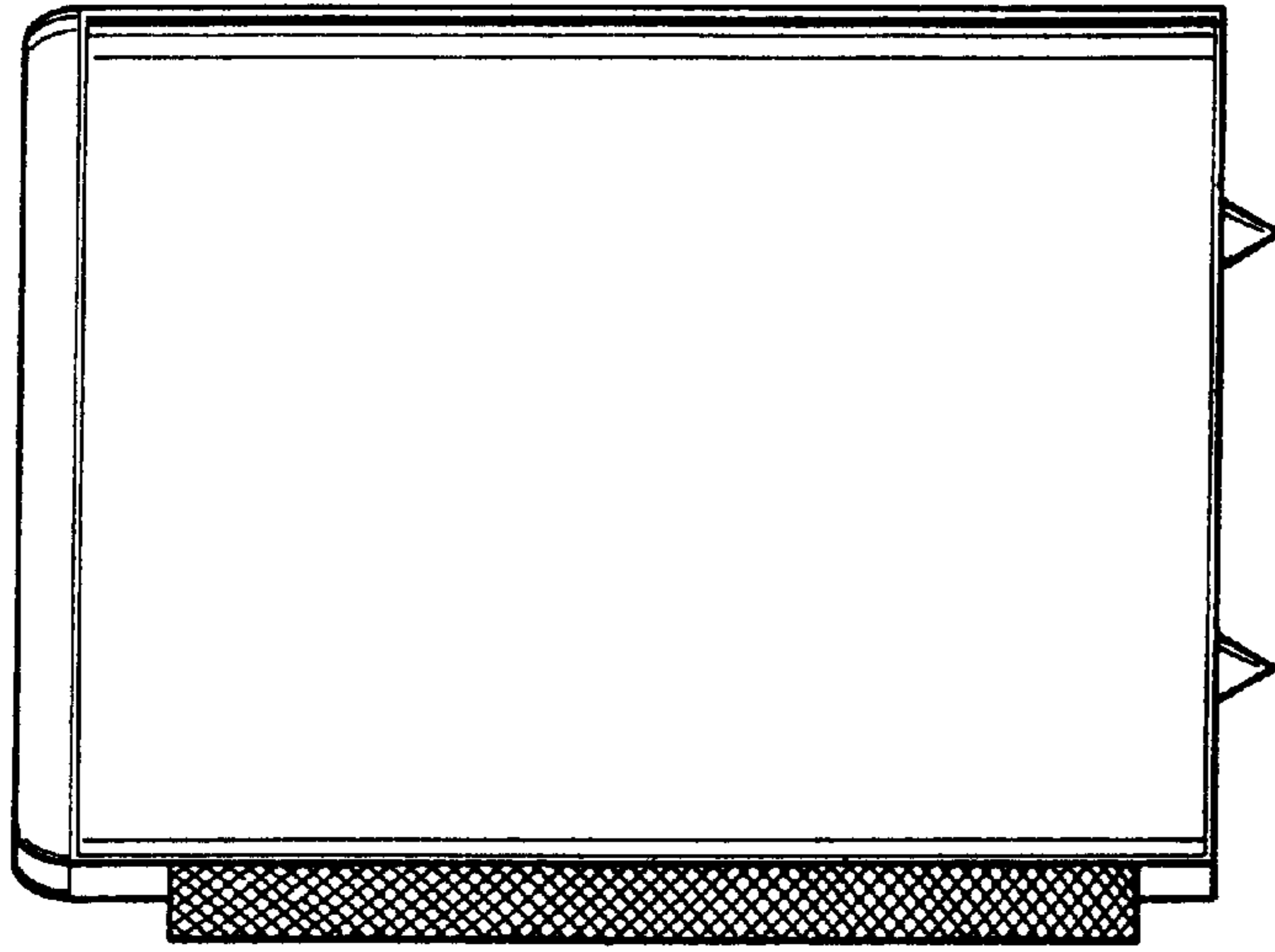


FIG. 5

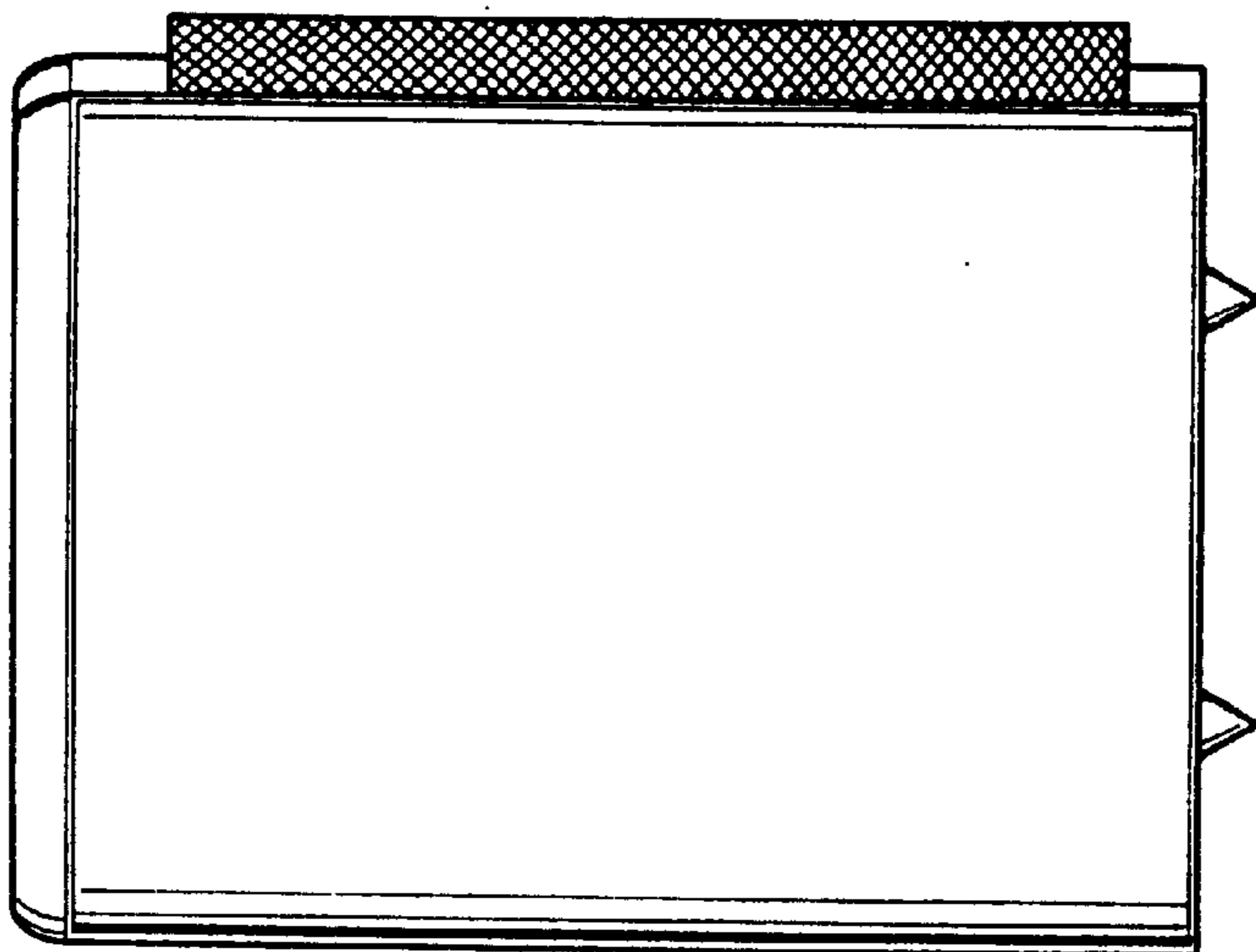


FIG. 4

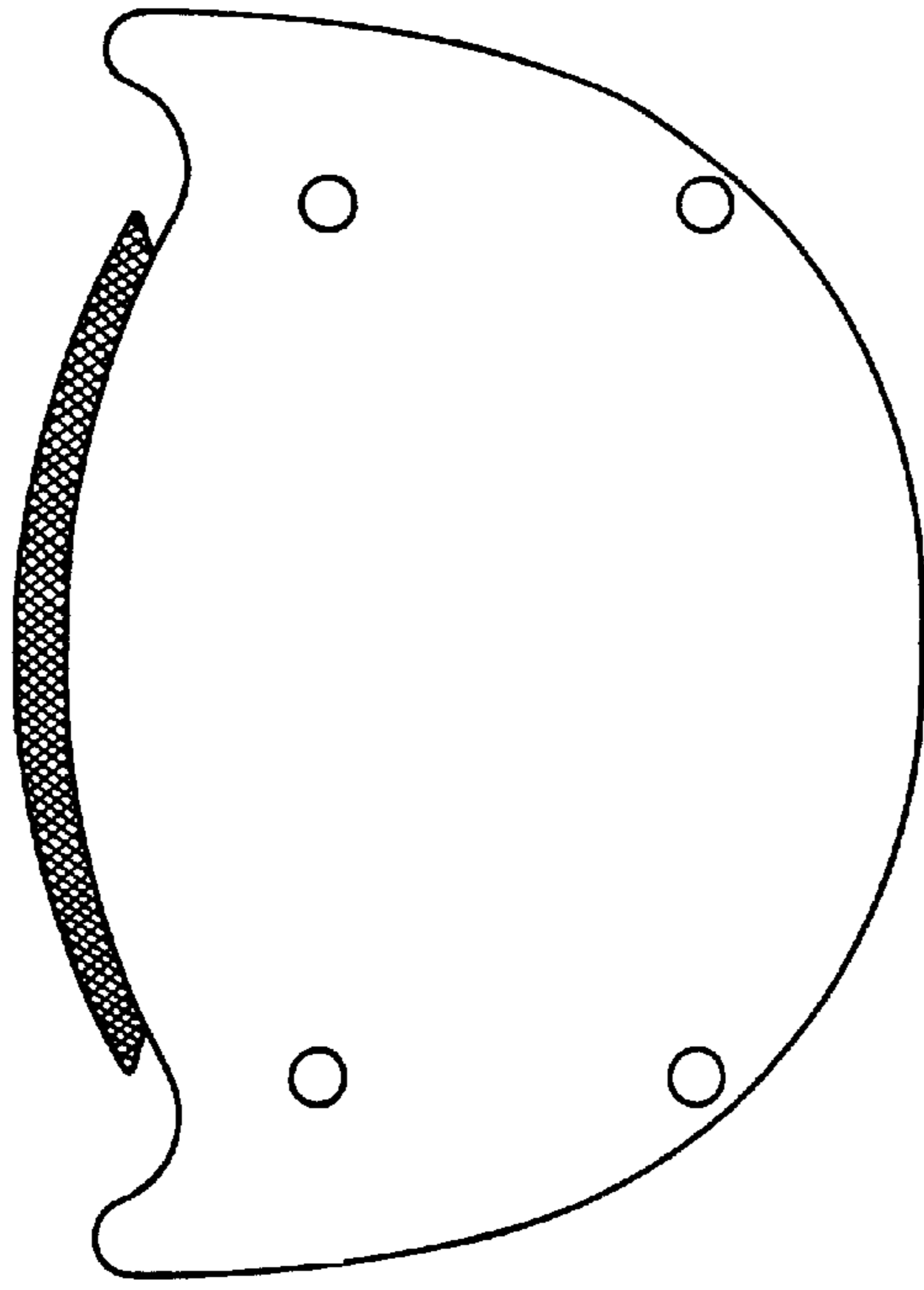


FIG. 7

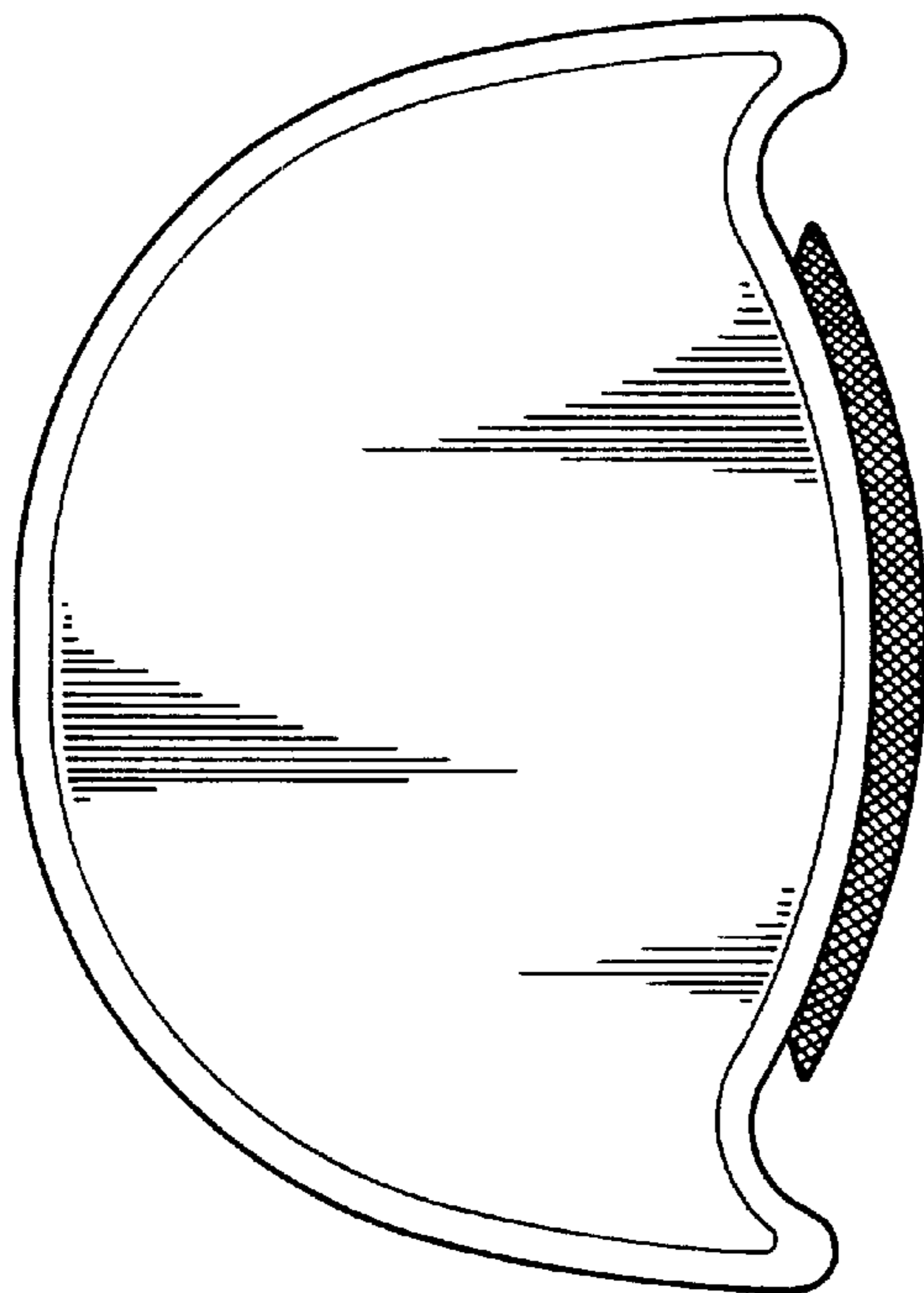


FIG. 6