



US00D470469S

(12) **United States Design Patent**  
**Hirano**

(10) **Patent No.:** **US D470,469 S**

(45) **Date of Patent:** **\*\* Feb. 18, 2003**

(54) **DISC PLAYER**

(75) Inventor: **Shinpei Hirano**, Tokyo (JP)  
(73) Assignee: **Sony Corporation**, Tokyo (JP)  
(\*\*) Term: **14 Years**

(21) Appl. No.: **29/157,556**  
(22) Filed: **Mar. 22, 2002**

(51) **LOC (7) Cl.** ..... **14-01**  
(52) **U.S. Cl.** ..... **D14/156**  
(58) **Field of Search** ..... D14/135-136,  
D14/156-157, 167-168, 188, 193-198,  
257-258; 369/75.1, 75.2, 77.1, 77.2; 455/344,  
347, 350-351

(56) **References Cited**

**U.S. PATENT DOCUMENTS**

D313,018 S	*	12/1990	Funabashi	.....	D14/156
D415,757 S	*	10/1999	Takahashi et al.	.....	D14/156
D416,897 S	*	11/1999	Ishii et al.	.....	D14/156
D425,889 S	*	5/2000	Yuyama	.....	D14/136
D431,543 S		10/2000	Yuyama		
D431,544 S		10/2000	Kobayashi		
D441,736 S		5/2001	Yoneda		
D443,869 S		6/2001	Shintani		
D445,774 S		6/2001	Matsuoka		

**OTHER PUBLICATIONS**

Catalog "Sony Style Fall/Winter 1998 Issue" p. 219 Item.  
Catalog Sony Style Spring 2000 Item #  
D-SJ01www.sony.com/sonystyle.  
Catalog Sony Style Autumn/Winter 2000-2001 p. 157 Item  
# DS-J15.

\* cited by examiner

*Primary Examiner*—Nanda Bondade  
(74) *Attorney, Agent, or Firm*—Rader, Fishman & Grauer  
PLLC

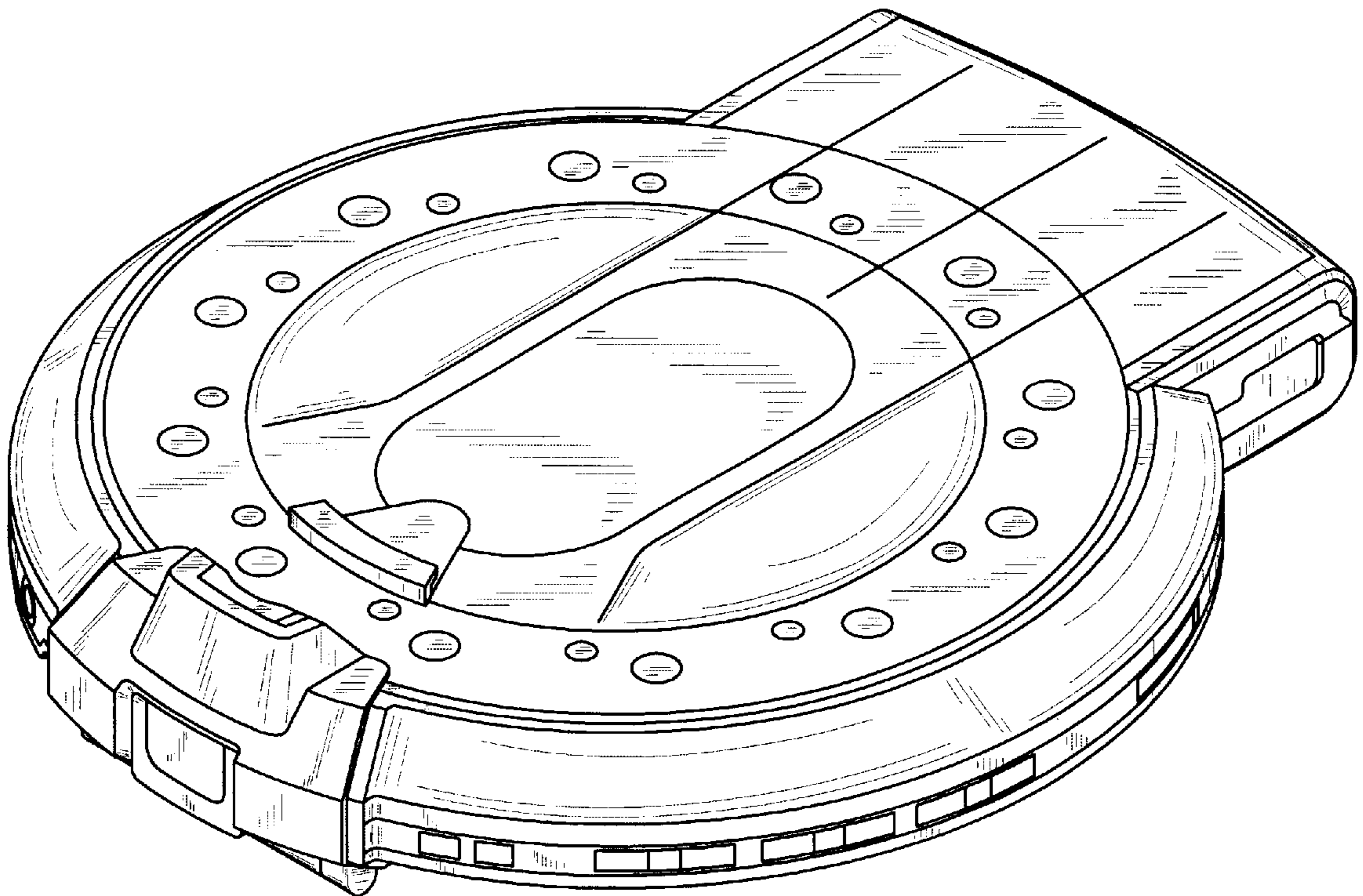
(57) **CLAIM**

The ornamental design for a disc player, as shown and described.

**DESCRIPTION**

FIG. 1 is a perspective view of a disc player showing my new design;  
FIG. 2 is a front elevational view thereof;  
FIG. 3 is a rear elevational view thereof;  
FIG. 4 is a left side elevational view thereof;  
FIG. 5 is a right side elevational view thereof;  
FIG. 6 is a top plan view thereof; and,  
FIG. 7 is a bottom plan view thereof.

**1 Claim, 5 Drawing Sheets**



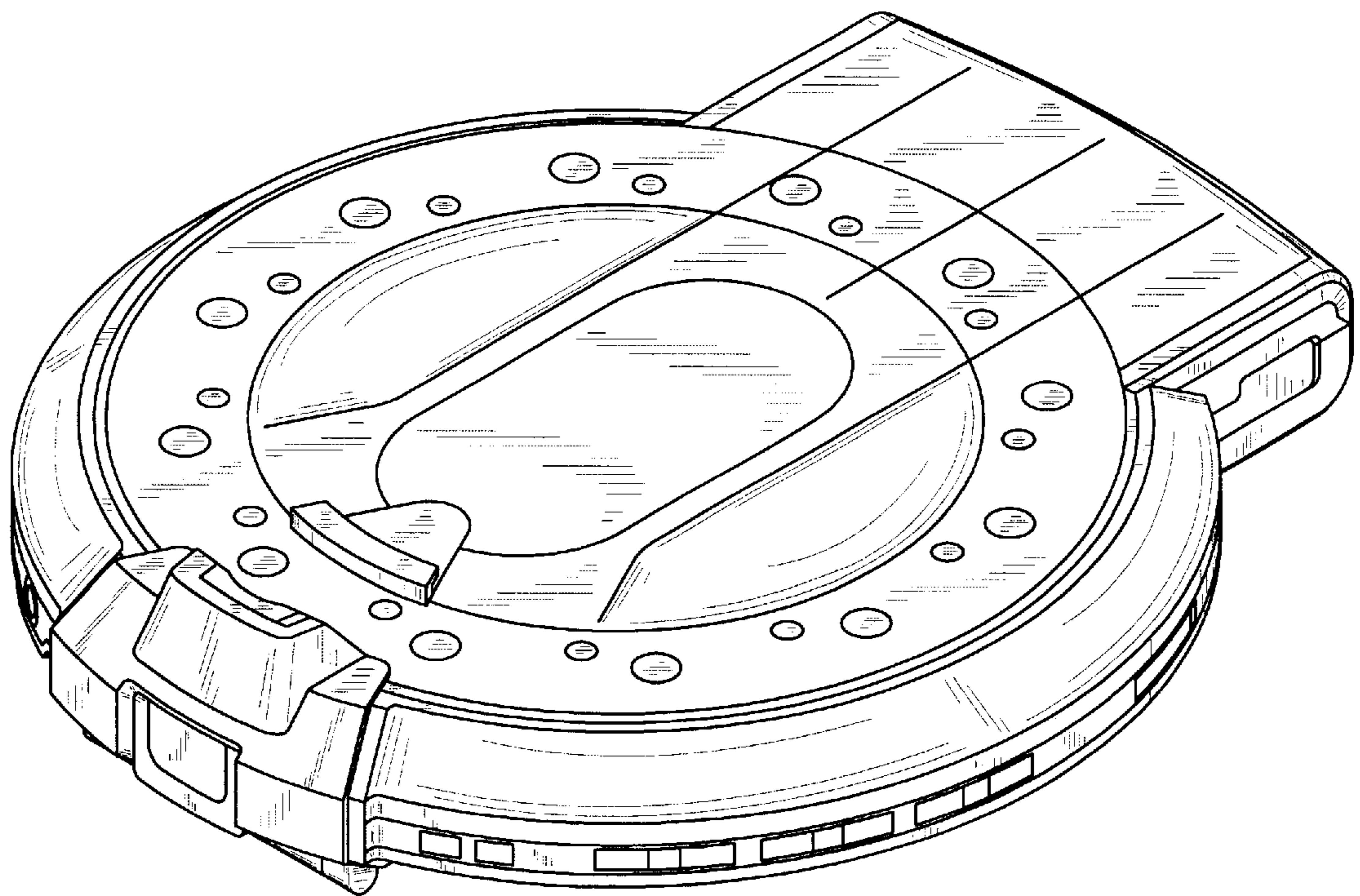


Fig. 1

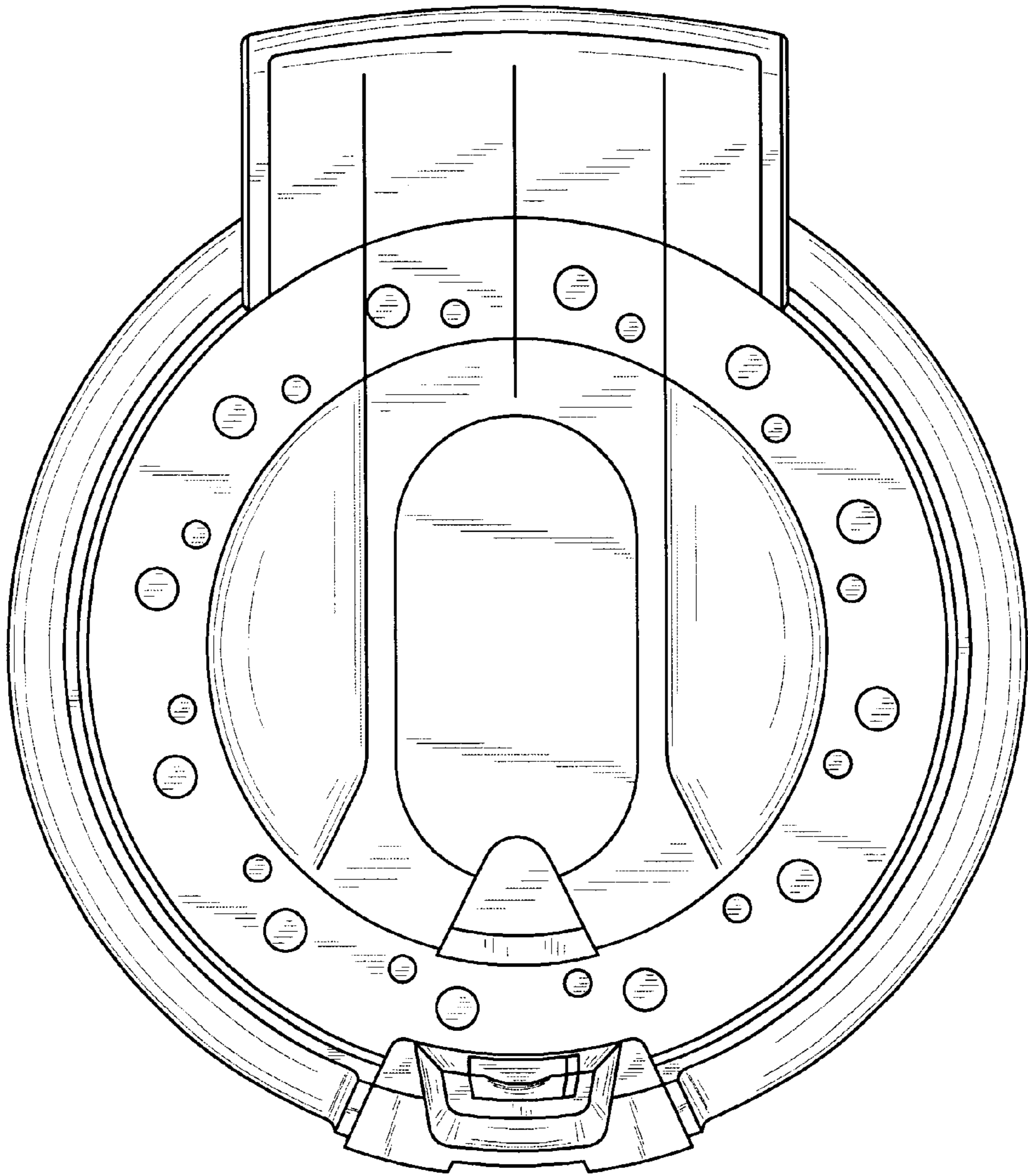
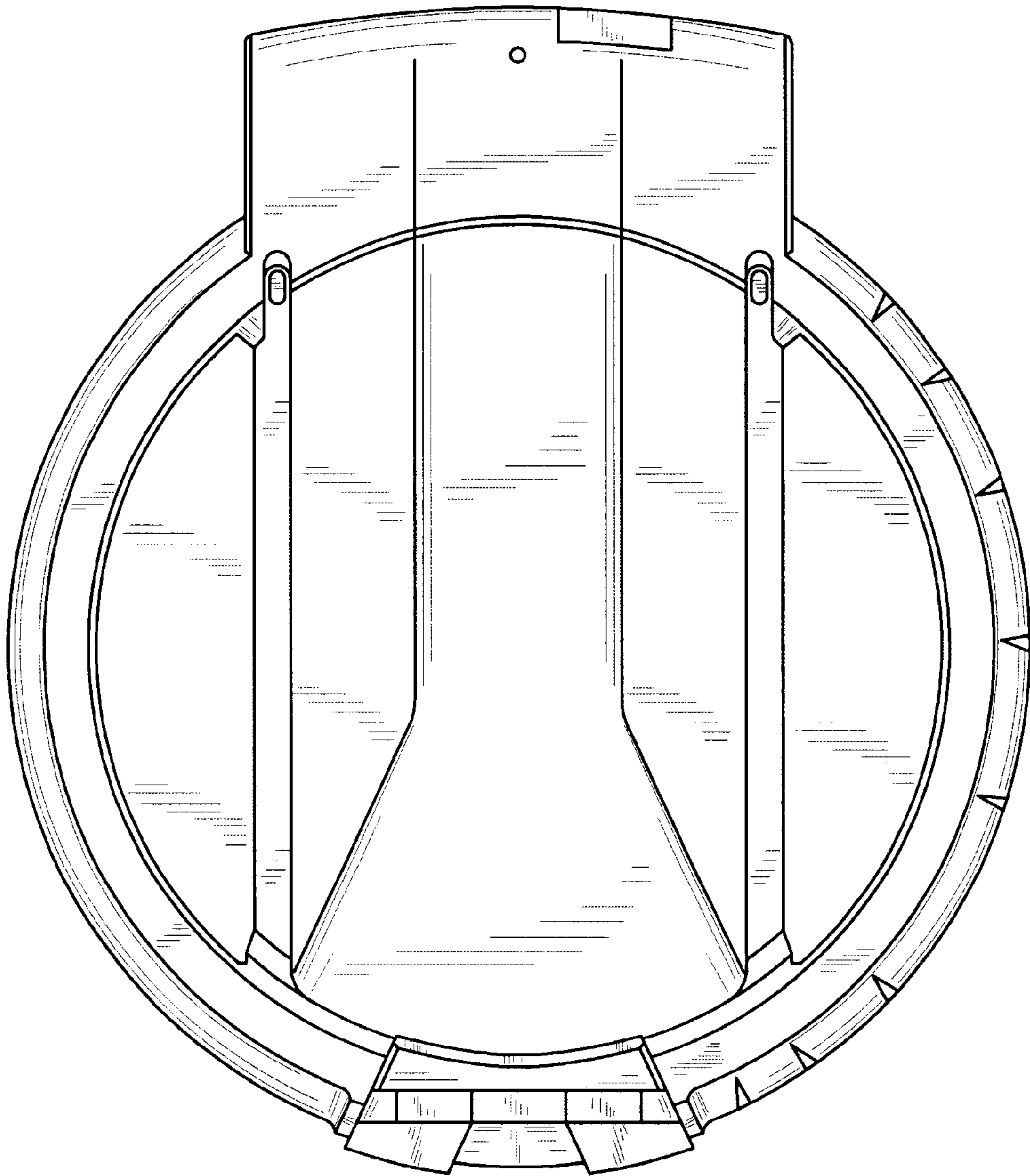
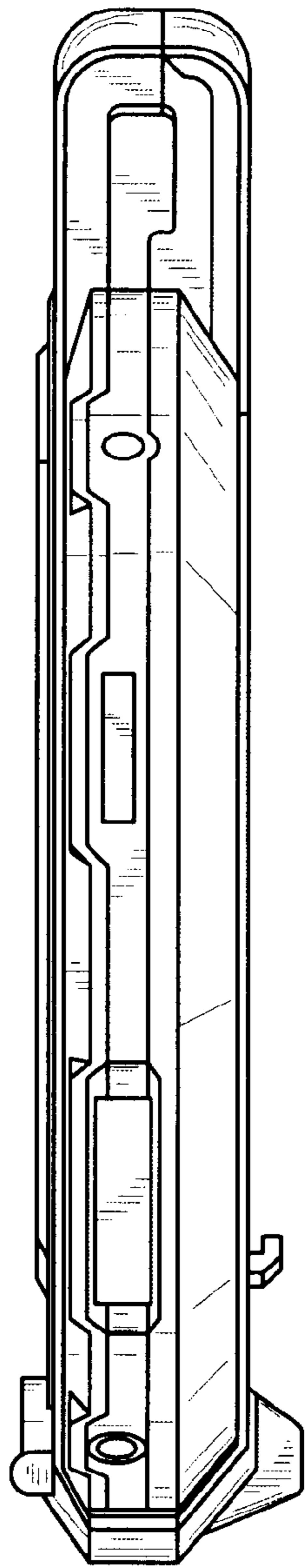


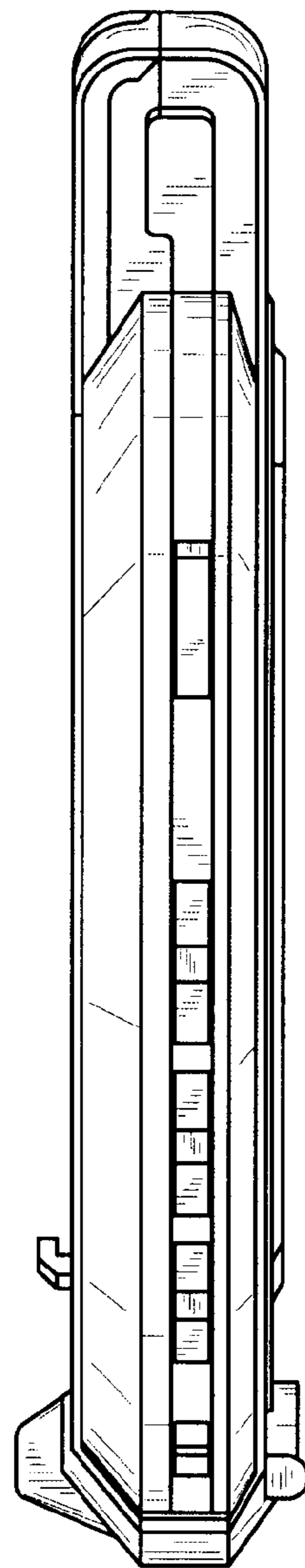
Fig. 2



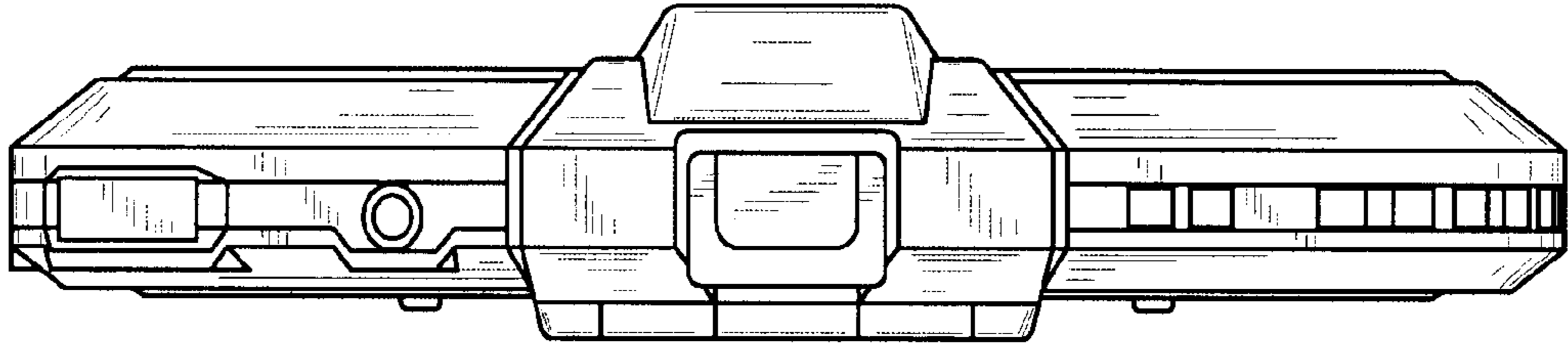
**Fig. 3**



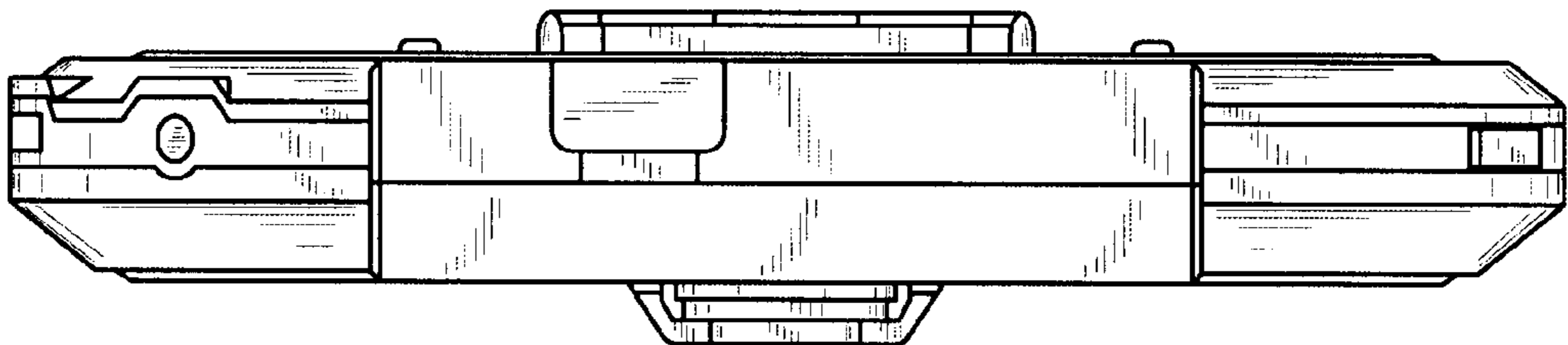
**Fig. 4**



**Fig. 5**



**Fig. 6**



**Fig. 7**