



US00D470468S

(12) **United States Design Patent**  
**Ota**

(10) **Patent No.:** **US D470,468 S**

(45) **Date of Patent:** **\*\* Feb. 18, 2003**

(54) **DISC PLAYER**

D435,532 S 12/2000 Hisatsune

(75) Inventor: **Kiyoshi Ota**, Tokyo (JP)

(73) Assignee: **Sony Corporation**, Tokyo (JP)

(\*\*) Term: **14 Years**

(21) Appl. No.: **29/146,197**

(22) Filed: **Aug. 7, 2001**

(51) **LOC (7) Cl.** ..... **14-01**

(52) **U.S. Cl.** ..... **D14/156**

(58) **Field of Search** ..... D14/135-136,  
D14/156-157, 167-168, 188, 193-198,  
257-258; 369/75.1, 75.2, 77.1, 77.2; 455/344,  
347, 350-351

(56) **References Cited**

**U.S. PATENT DOCUMENTS**

D318,664 S	*	7/1991	Ito et al.	.....	D14/136
5,859,828 A	*	1/1999	Ishibashi	.....	369/75.1
D409,605 S	*	5/1999	Miyazaki	.....	D14/136
D418,830 S		1/2000	Yasutomi		
D429,706 S	*	8/2000	Miyazaki	.....	D14/135
D432,513 S		10/2000	Takahashi		

**OTHER PUBLICATIONS**

Catalog "Sony DVD Player", 3 sheets, Sony Corporation (Feb. 2001).

\* cited by examiner

*Primary Examiner*—Nanda Bondade

(74) *Attorney, Agent, or Firm*—Rader, Fishman & Grauer PLLC

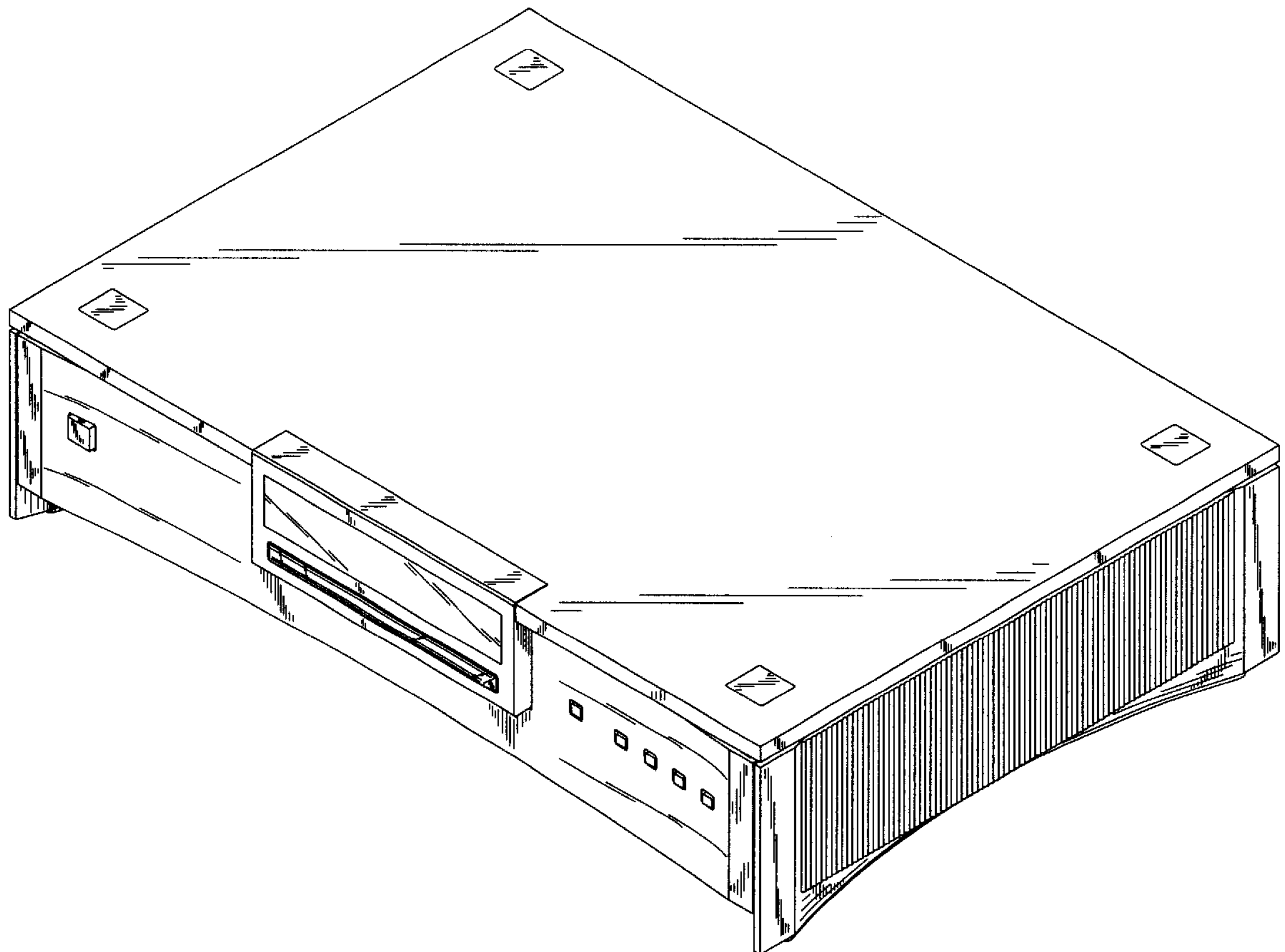
(57) **CLAIM**

The ornamental design for a disc player, as shown and described.

**DESCRIPTION**

FIG. 1 is a perspective view of a disc player showing my new design;  
FIG. 2 is a front elevational view thereof;  
FIG. 3 is a rear elevational view thereof;  
FIG. 4 is a left side elevational view thereof;  
FIG. 5 is a right side elevational view thereof;  
FIG. 6 is a top plan view thereof; and,  
FIG. 7 is a bottom plan view thereof.

**1 Claim, 4 Drawing Sheets**



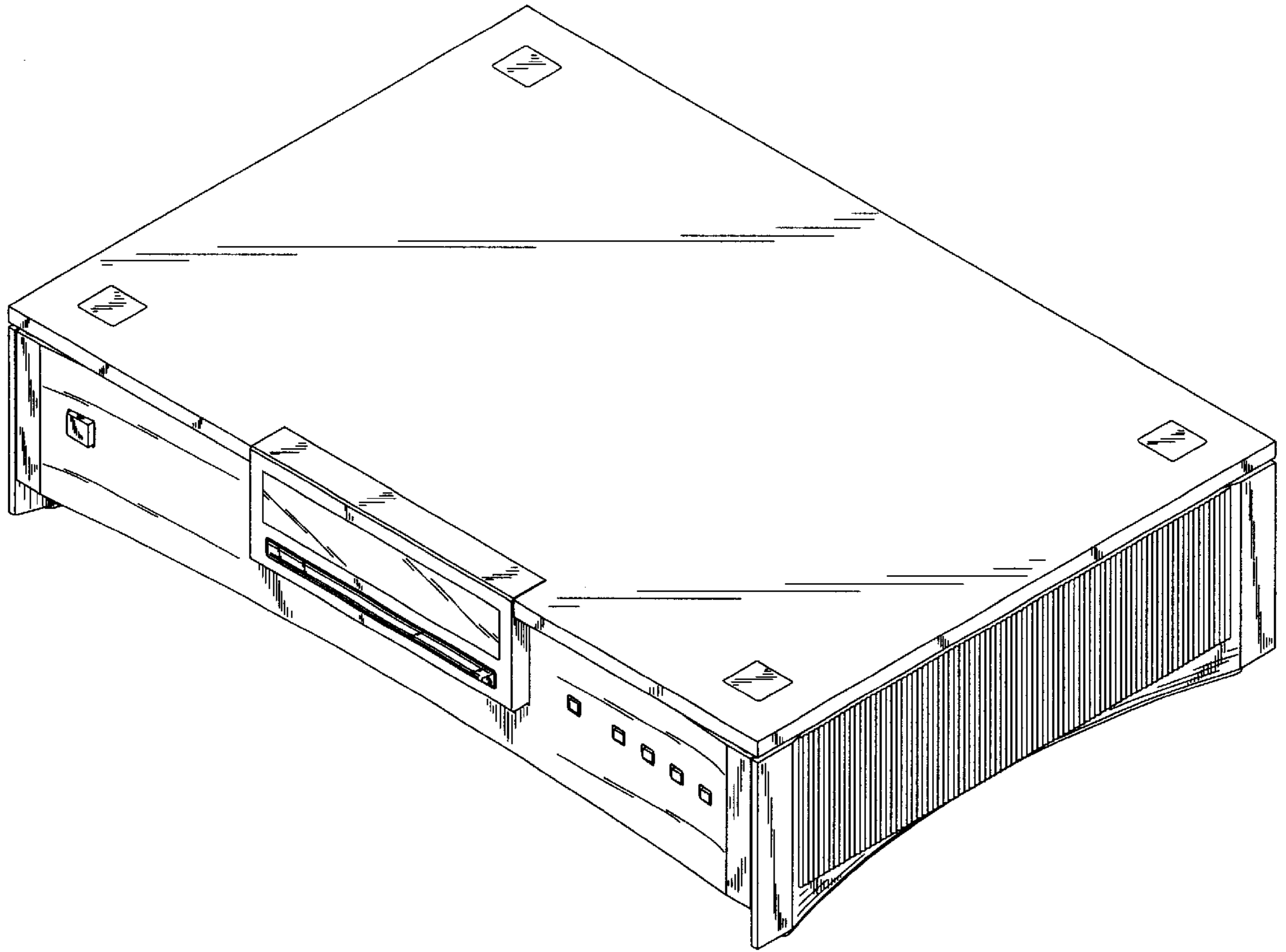
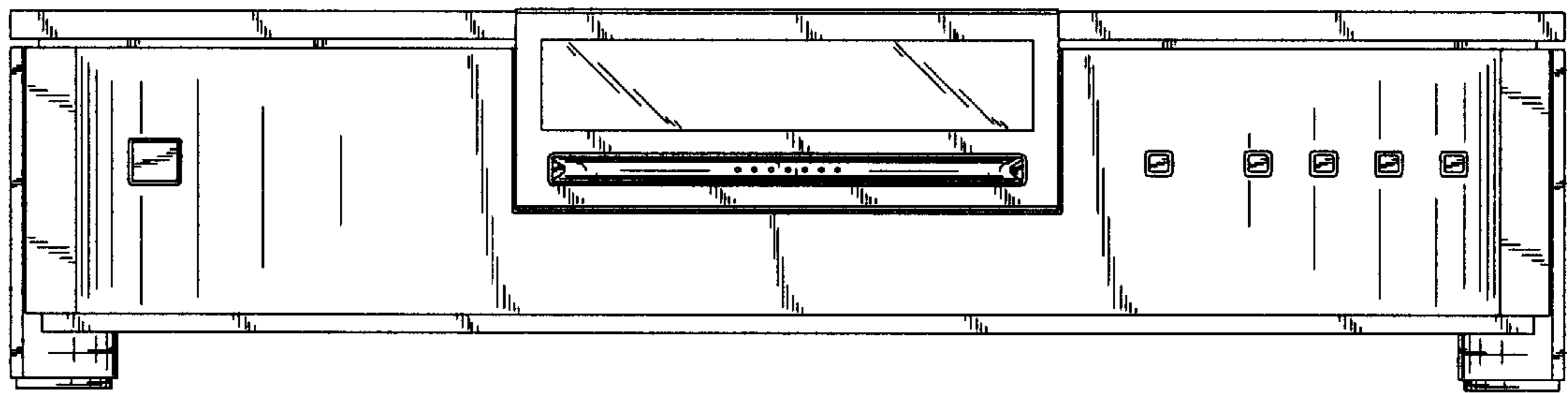
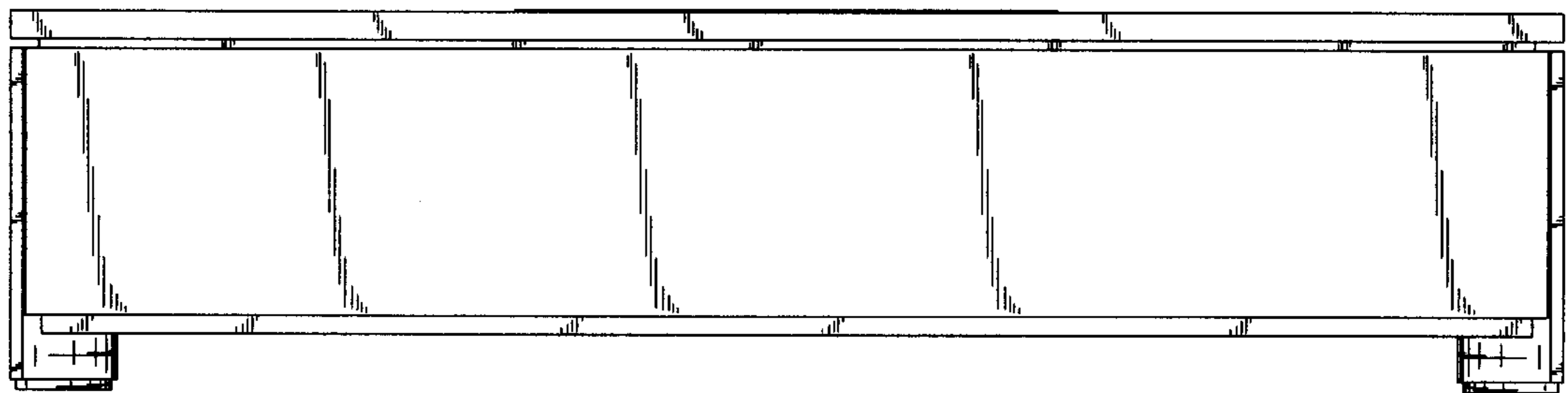


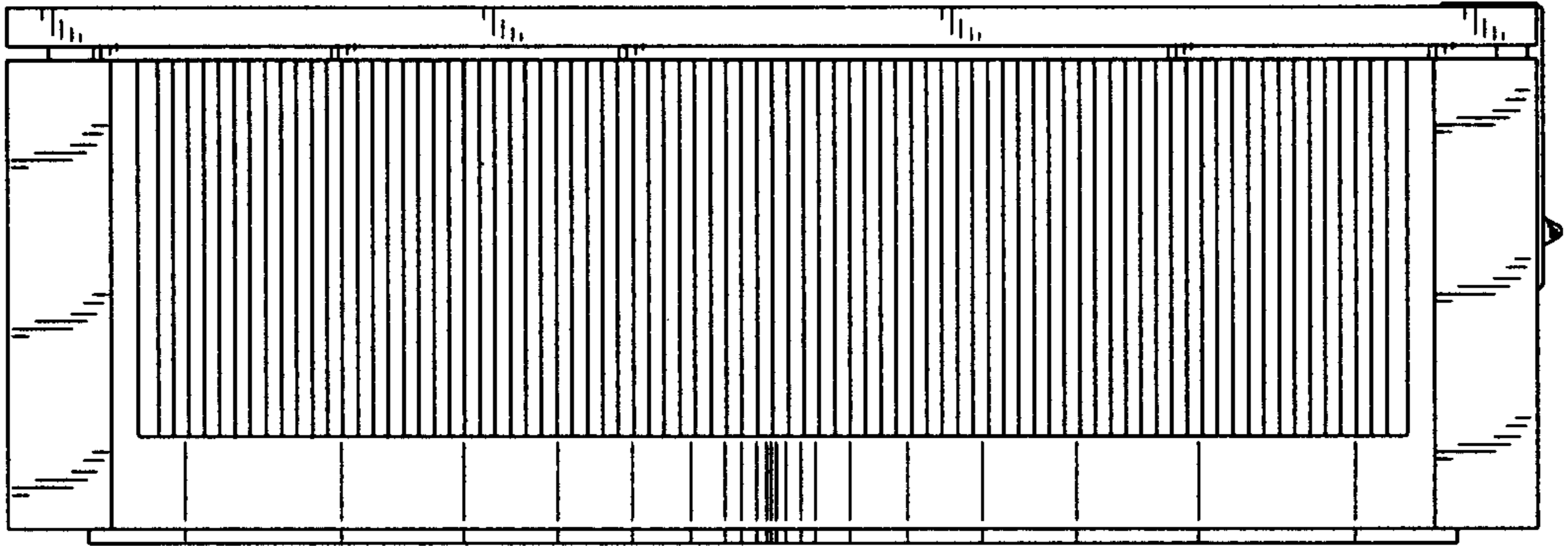
Fig. 1



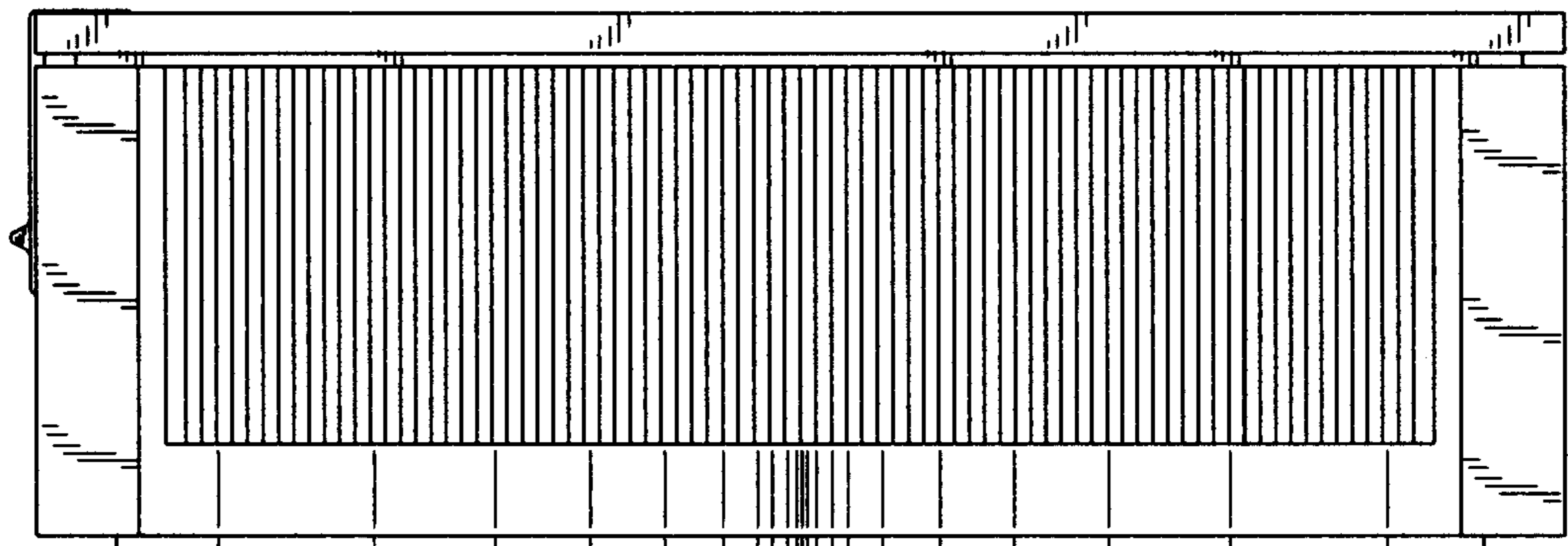
**Fig. 2**



**Fig. 3**



**Fig. 4**



**Fig. 5**

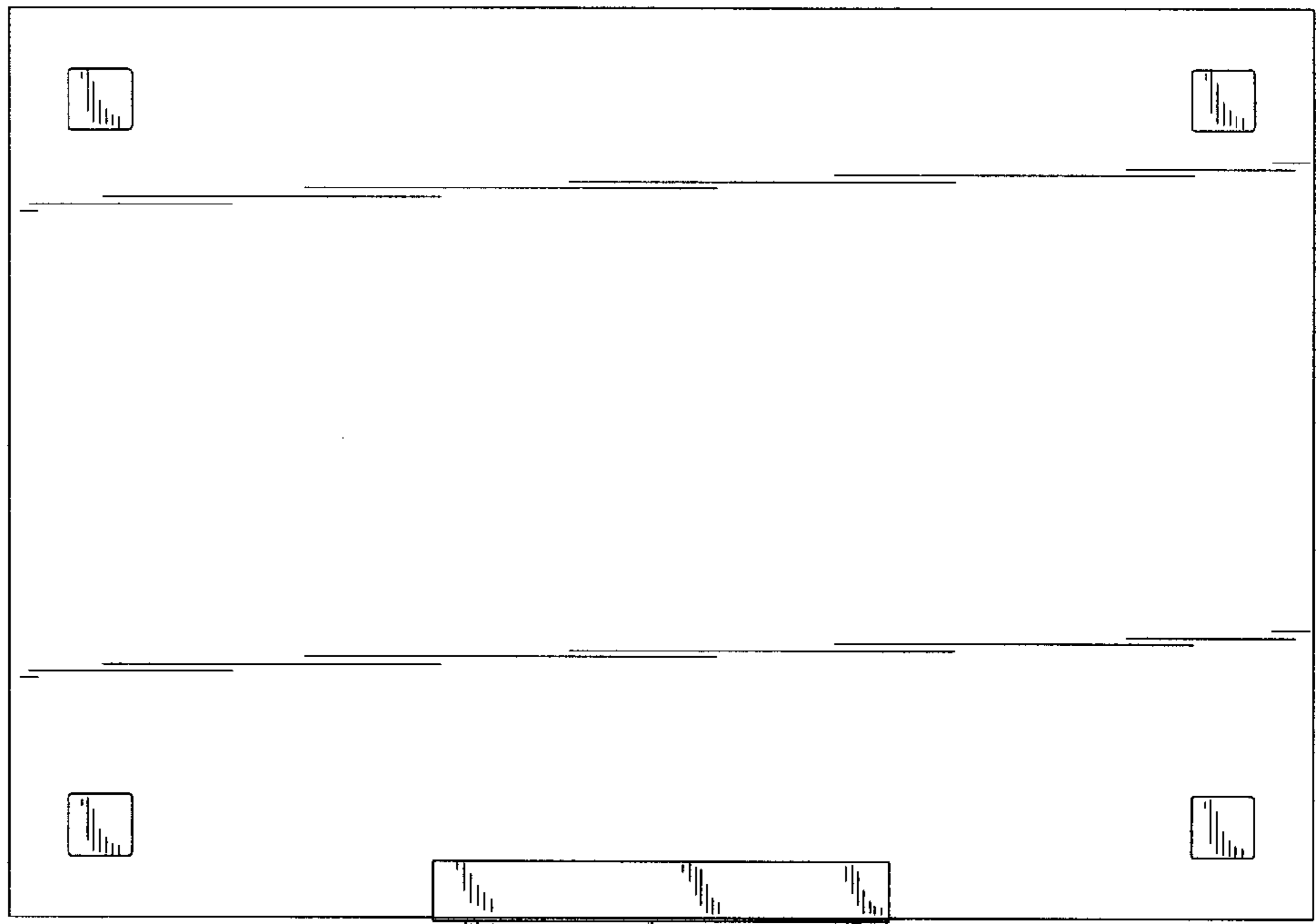


Fig. 6

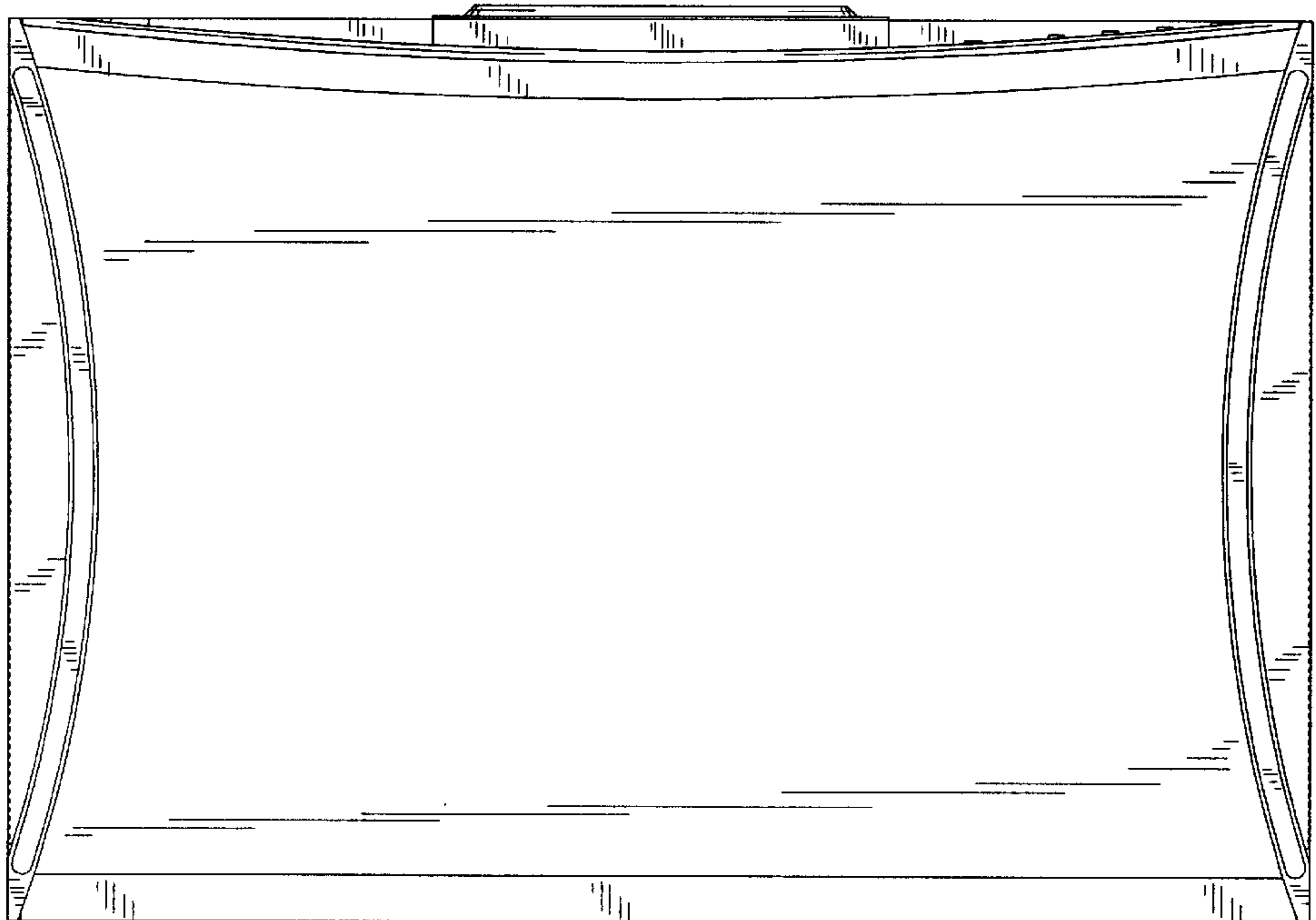


Fig. 7