



US00D470463S

(12) **United States Design Patent**
Iwasaki et al.

(10) **Patent No.:** **US D470,463 S**

(45) **Date of Patent:** **** Feb. 18, 2003**

(54) **SEMICONDUCTOR DEVICE**

(75) Inventors: **Mitsutaka Iwasaki**, Tokyo (JP); **Toru Iwagami**, Tokyo (JP); **Hisashi Kawafuji**, Fukuoka (JP)

(73) Assignee: **Mitsubishi Denki Kabushiki Kaisha**, Tokyo (JP)

(**) Term: **14 Years**

(21) Appl. No.: **29/156,541**

(22) Filed: **Mar. 5, 2002**

(30) **Foreign Application Priority Data**

Nov. 30, 2001 (JP) 2001-035250

(51) **LOC (7) Cl.** **13-03**

(52) **U.S. Cl.** **D13/182**

(58) **Field of Search** D13/182; 174/16.3, 174/52.1, 52.2, 52.4; 257/670, 372, 676, 686, 688, 690, 696, 703, 787; 361/736, 742, 748, 752, 760, 761, 774, 783, 784, 785, 798, 813, 820

(56) **References Cited**

U.S. PATENT DOCUMENTS

- 4,951,124 A * 8/1990 Sawaya 257/692
- 4,985,747 A * 1/1991 Utunomiya et al. 257/696
- D358,806 S * 5/1995 Siegel et al. D13/182
- 5,889,658 A * 3/1999 Sullivan et al. 361/773

- D421,969 S * 3/2000 Kawafuji et al. D13/182
- 6,100,580 A * 8/2000 Murakami et al. 257/666
- 6,114,759 A * 9/2000 Okuaki 257/692
- D448,740 S 10/2001 Iwasaki et al.
- 6,444,905 B1 * 9/2002 Miyaki et al. 174/52.4

* cited by examiner

Primary Examiner—Ted Shooman

Assistant Examiner—Selina Sikder

(74) *Attorney, Agent, or Firm*—Oblon, Spivak, McClland, Maier, & Neustadt, P.C.

(57) **CLAIM**

The ornamental design for a semiconductor device, as shown and described.

DESCRIPTION

FIG. 1 is a front, top and right side perspective view of a semiconductor device, showing our new design;
 FIG. 2 is a rear, bottom and left side perspective view thereof;
 FIG. 3 is a front elevational view thereof;
 FIG. 4 is a rear elevational view thereof;
 FIG. 5 is a top plan view thereof;
 FIG. 6 is a bottom plan view thereof;
 FIG. 7 is a left side elevational view thereof;
 FIG. 8 is a right side elevational view thereof; and,
 FIG. 9 is a cross-sectional view thereof, taken along line 9—9 of FIG. 3, with the internal system omitted.

1 Claim, 4 Drawing Sheets

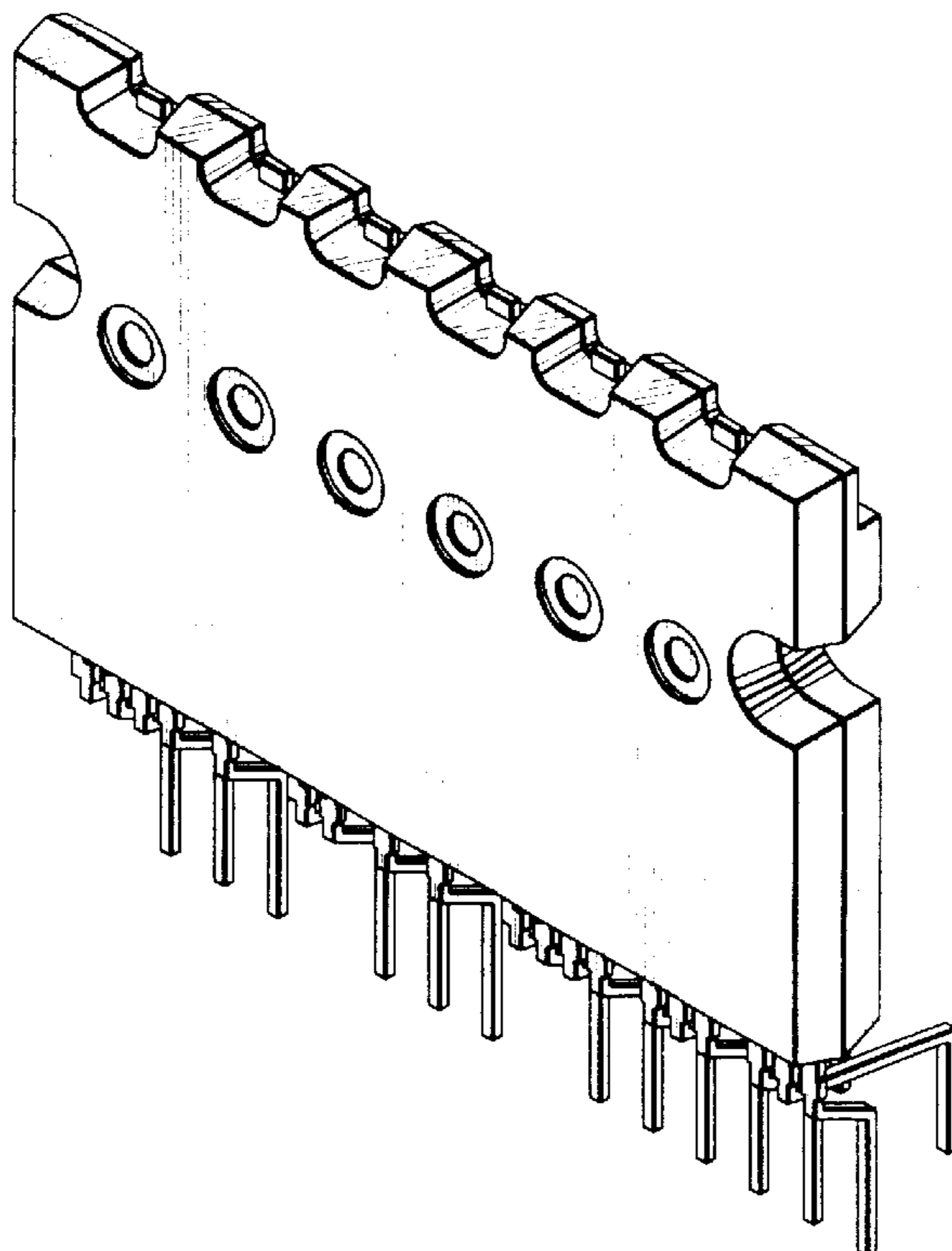


FIG. 1

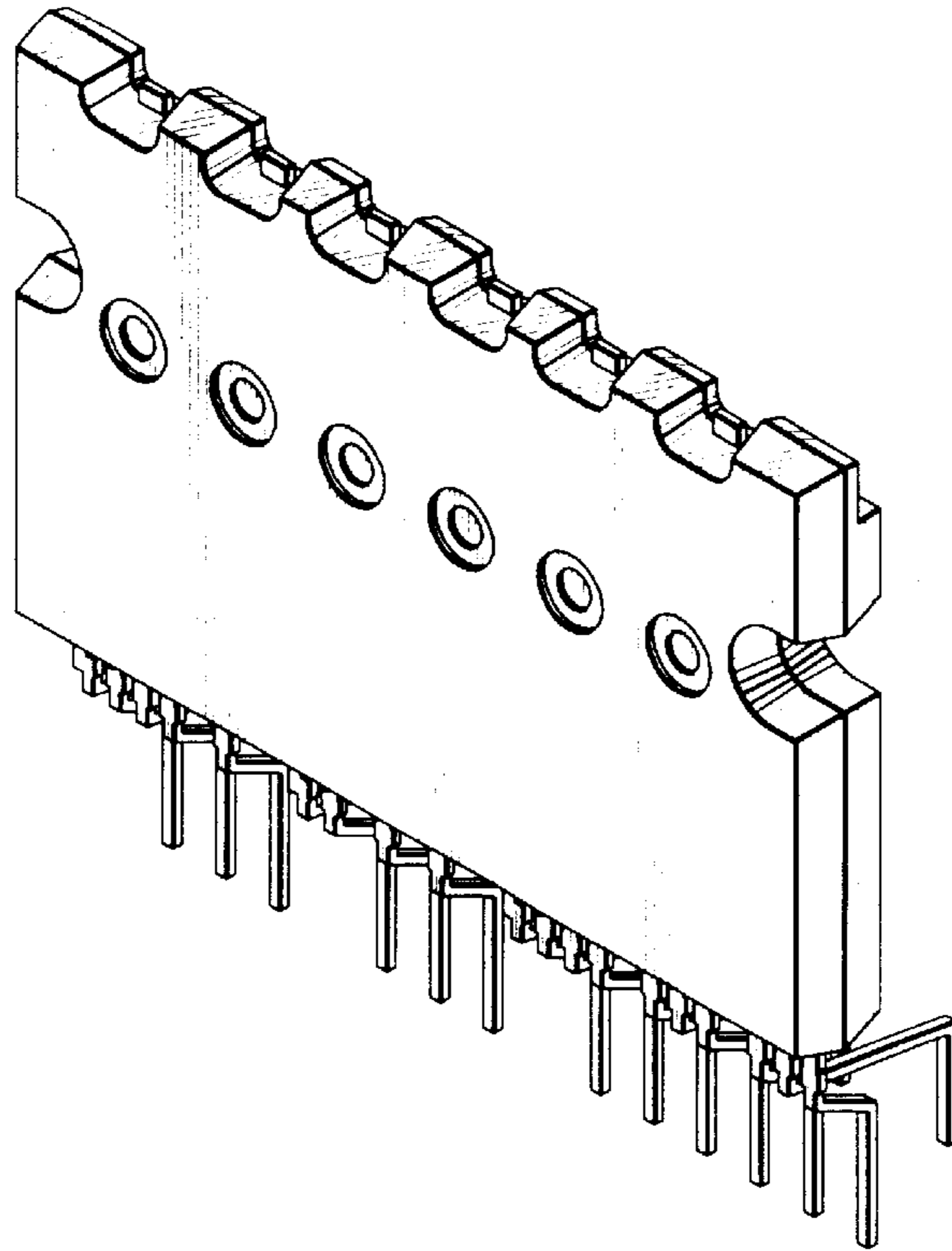


FIG. 2

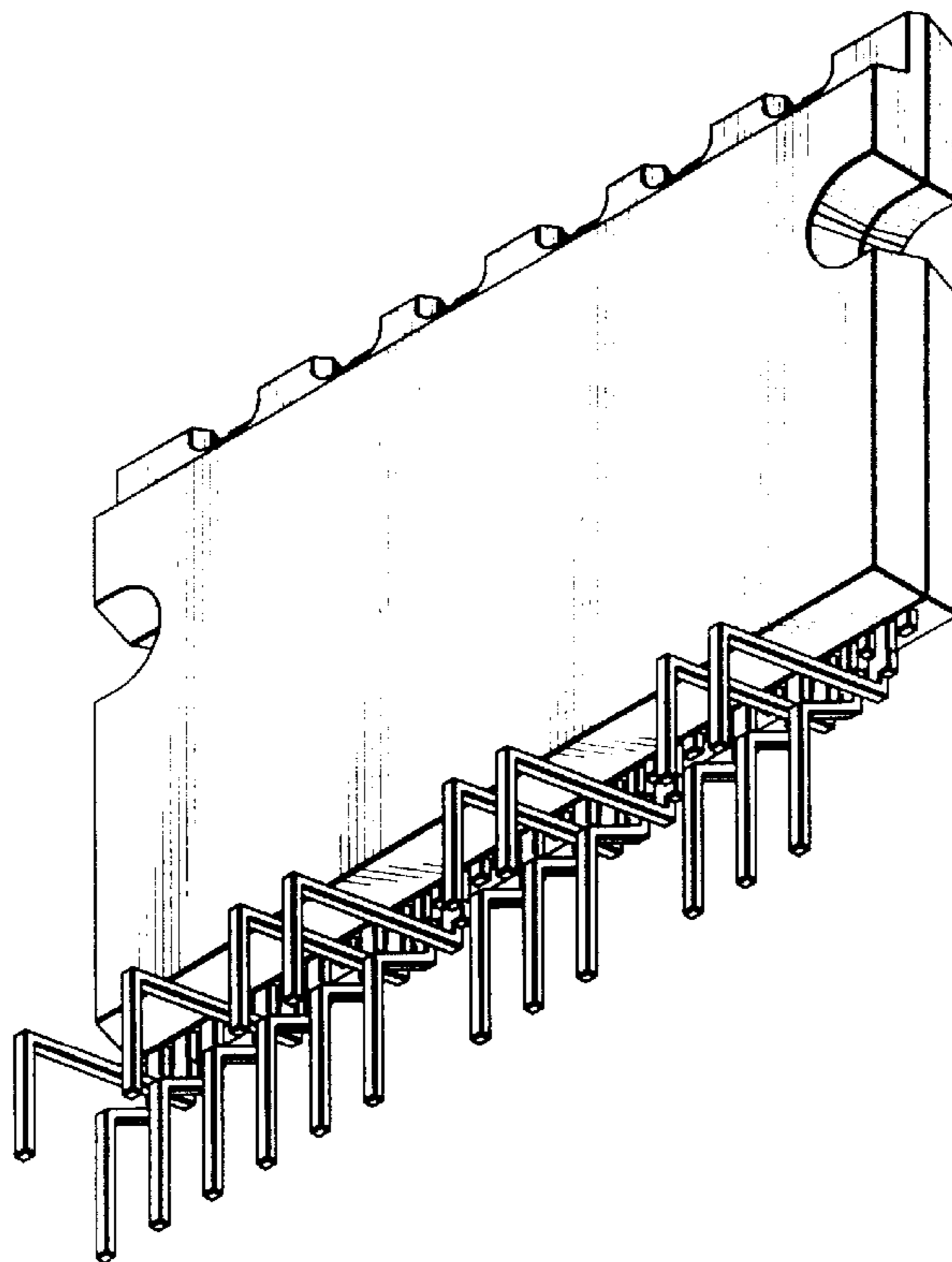


FIG. 3

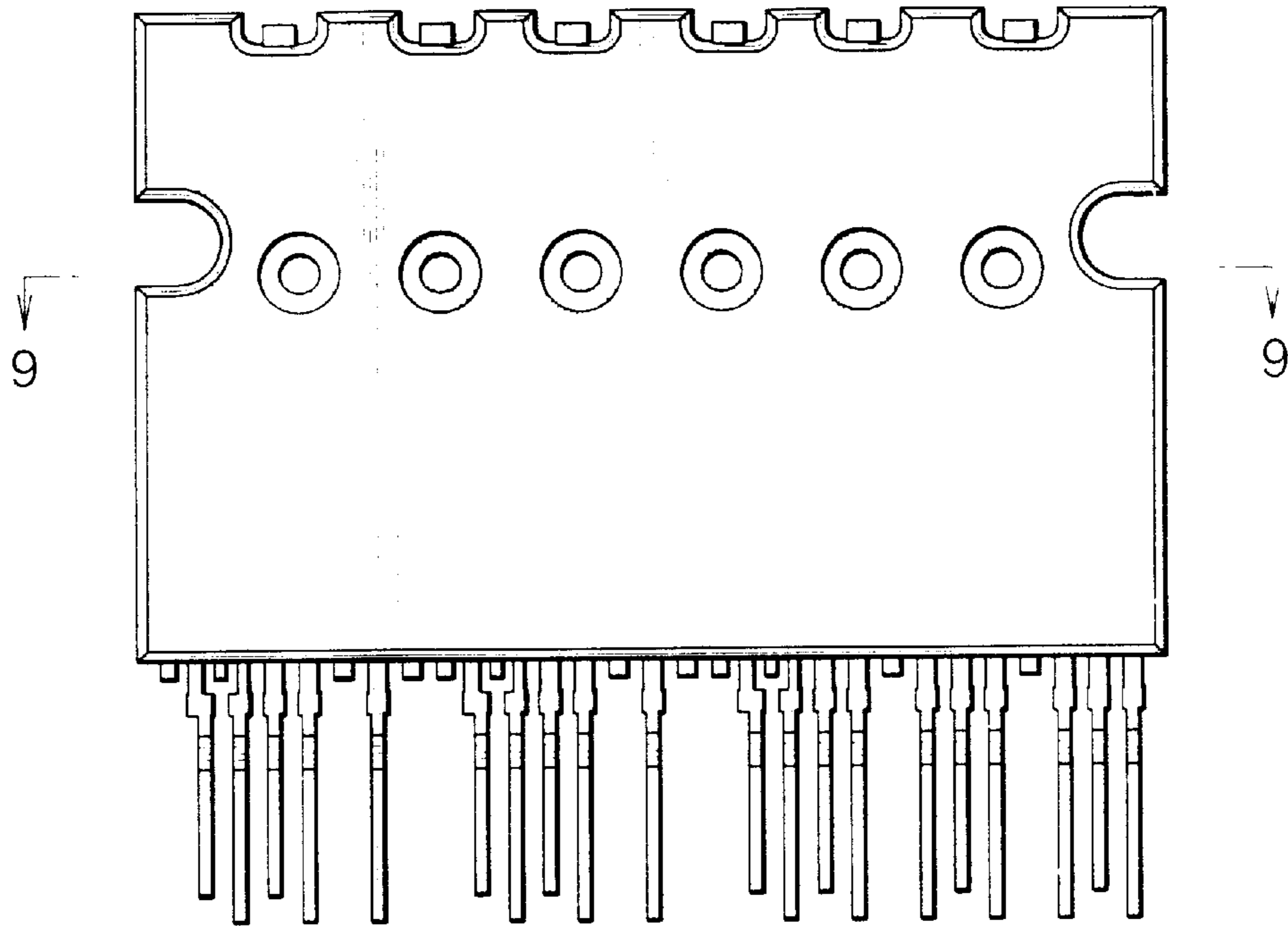


FIG. 4

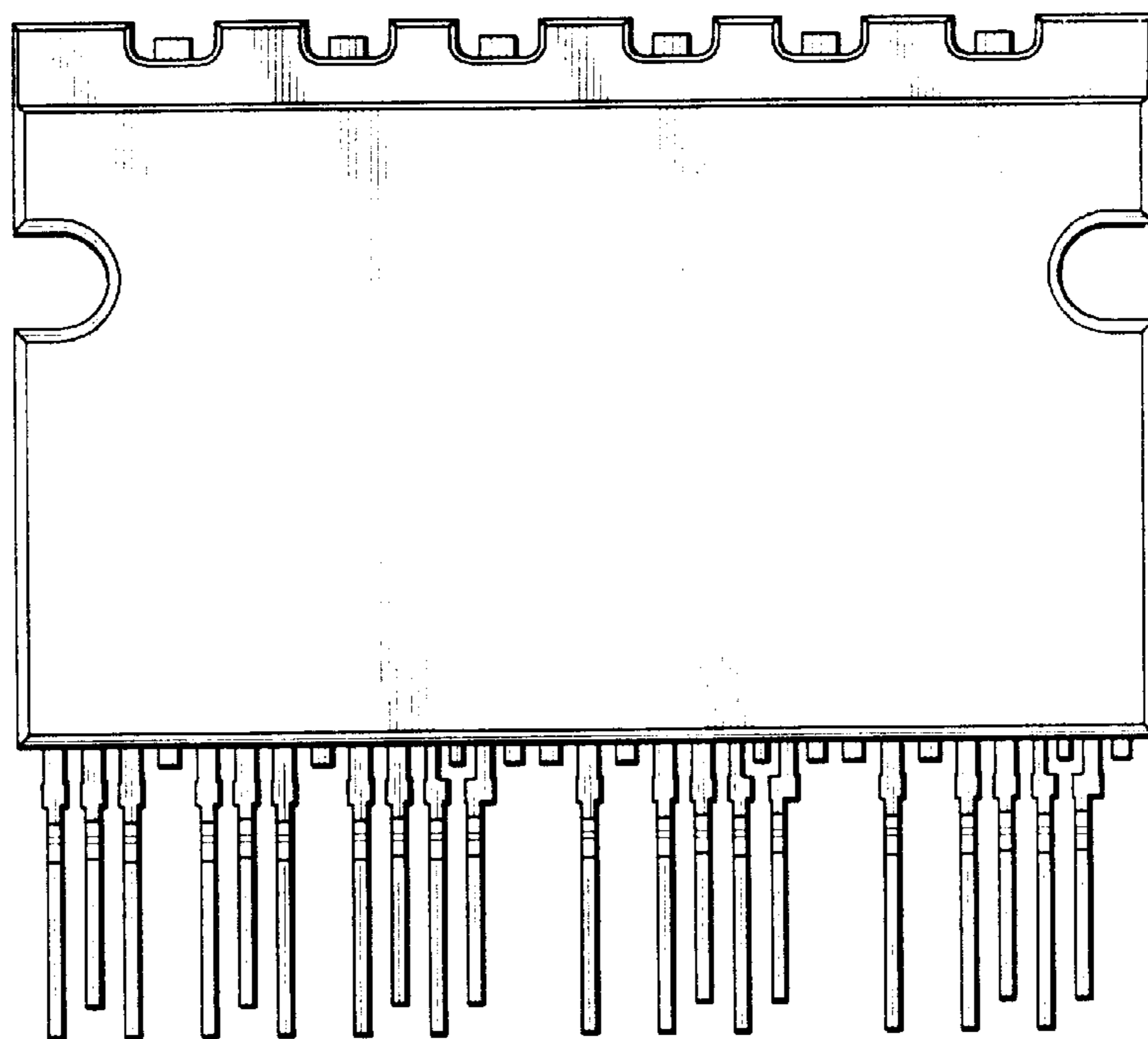


FIG. 5

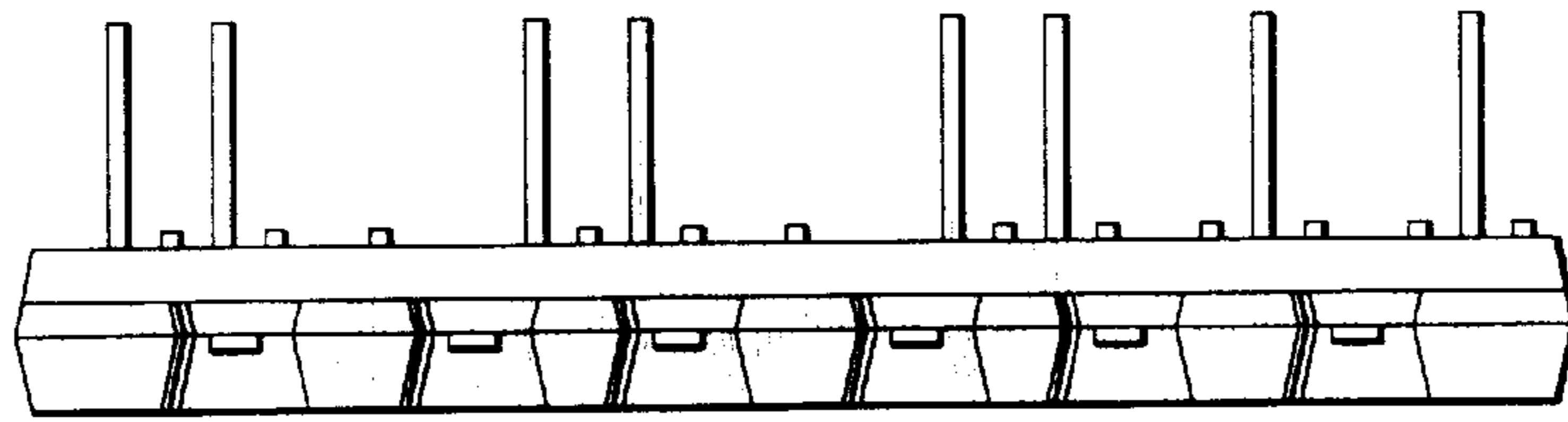


FIG. 6

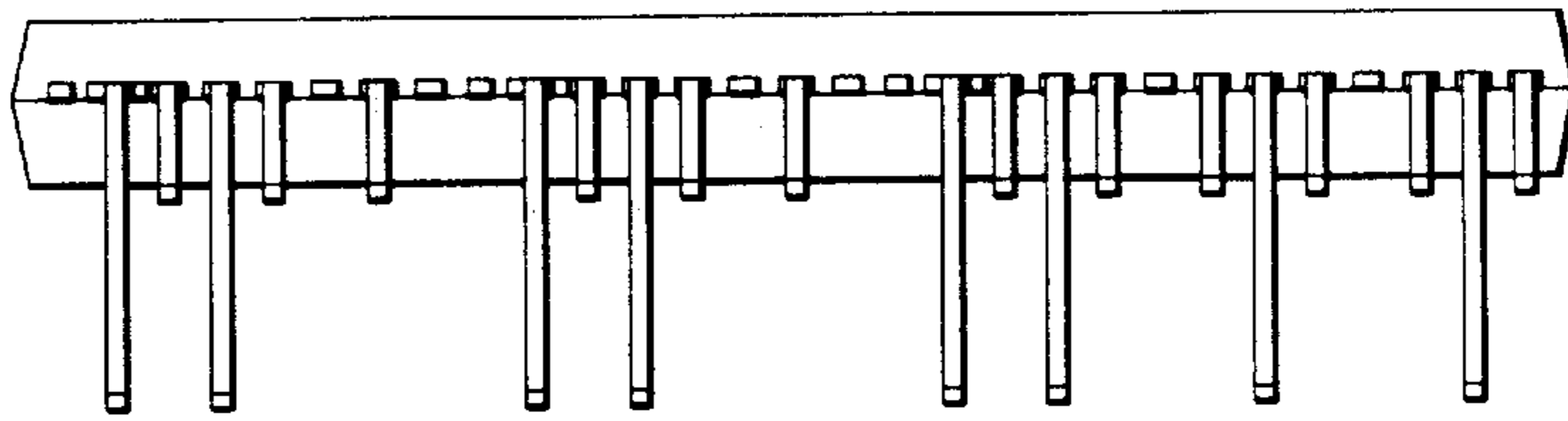


FIG. 7

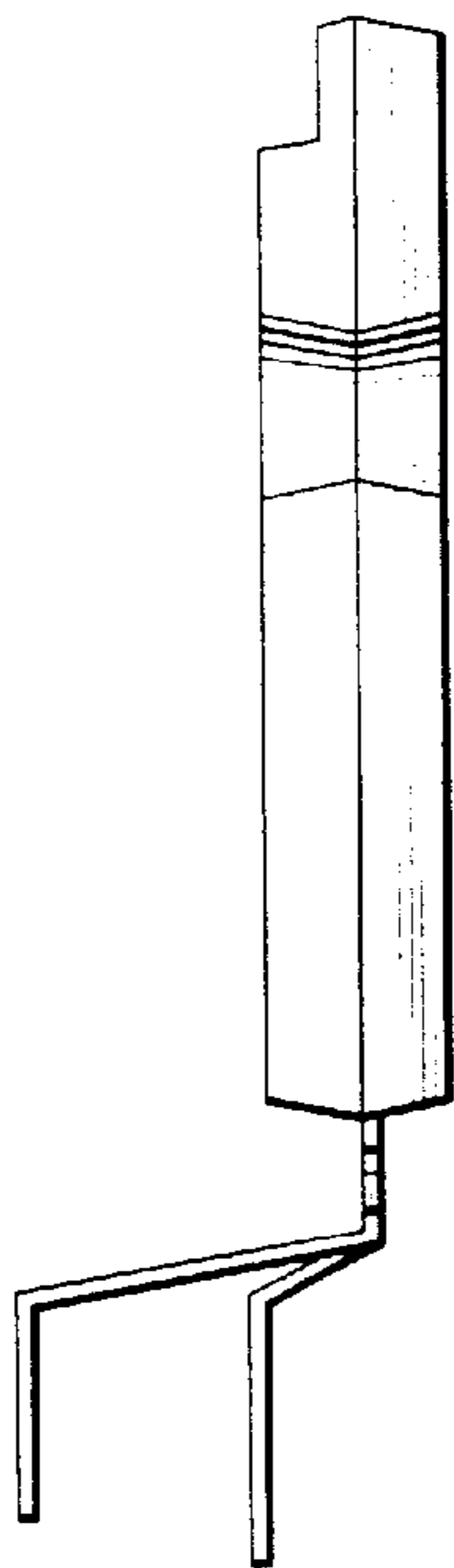


FIG. 8

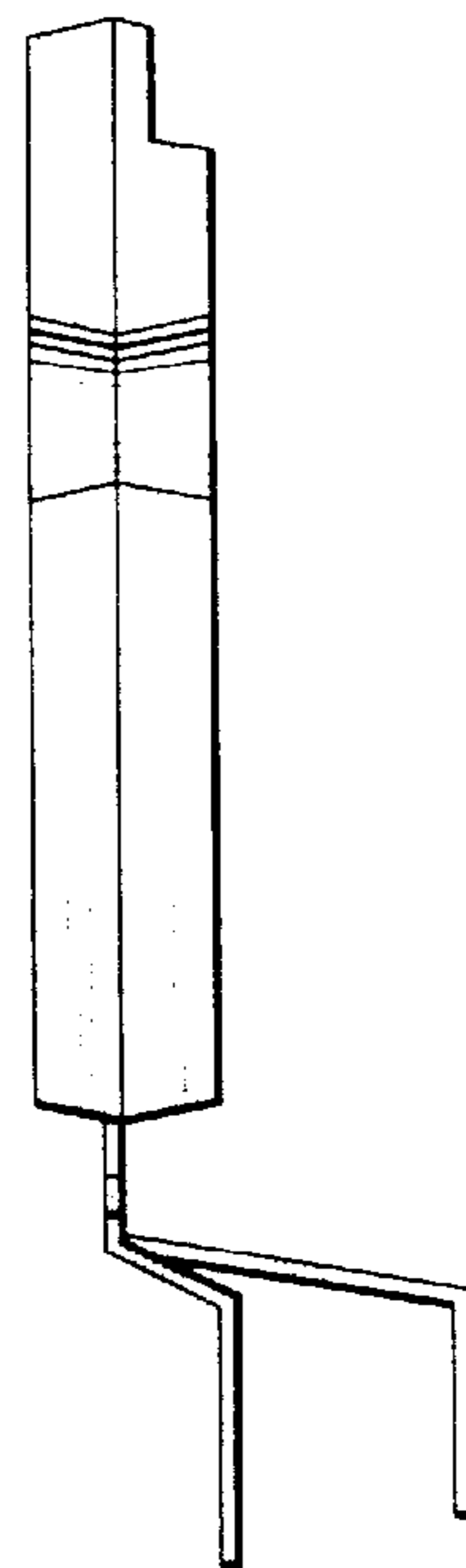


FIG. 9

