



US00D470462S

(12) **United States Design Patent** (10) **Patent No.:** **US D470,462 S**
Fayfield et al. (45) **Date of Patent:** **** Feb. 18, 2003**

(54) **HOUSING FOR PHOTOELECTRIC CONTROL**

(75) Inventors: **Robert W. Fayfield**, Shorewood, MN (US); **Dennis Smith**, Minneapolis, MN (US)

(73) Assignee: **Banner Engineering Corp.**, Minneapolis, MN (US)

(**) Term: **14 Years**

(21) Appl. No.: **29/159,493**

(22) Filed: **Apr. 22, 2002**

(51) **LOC (7) Cl.** **13-03**

(52) **U.S. Cl.** **D13/165; D13/177**

(58) **Field of Search** **D13/162, 165, D13/177, 184; 250/222.1, 206, 239, 221.1**

(56) **References Cited**

U.S. PATENT DOCUMENTS

5,347,117	A	*	9/1994	Fooks et al.	250/221
D361,057	S	*	8/1995	Fayfield	D13/165
D401,910	S	*	12/1998	Fooks et al.	D13/165
D412,316	S		7/1999	Fayfield		
D442,563	S		5/2001	Fayfield		

OTHER PUBLICATIONS

Banner Brochure, "Photoelectric Sensors", Banner Engineering Corp., 20 pgs. (1999–2000).

* cited by examiner

Primary Examiner—Ted Shooman

Assistant Examiner—Selina Sikder

(74) *Attorney, Agent, or Firm*—Merchant & Gould P.C.

(57) **CLAIM**

The ornamental design for housing for photoelectric control, as shown and described.

DESCRIPTION

FIG. 1 is a front perspective view of a housing for a photoelectric control embodying our new design;

FIG. 2 is a rear perspective view of the housing depicted in FIG. 1;

FIG. 3 is a side elevational view of the housing depicted in FIG. 1;

FIG. 4 is the other side elevational view of the housing depicted in FIG. 1;

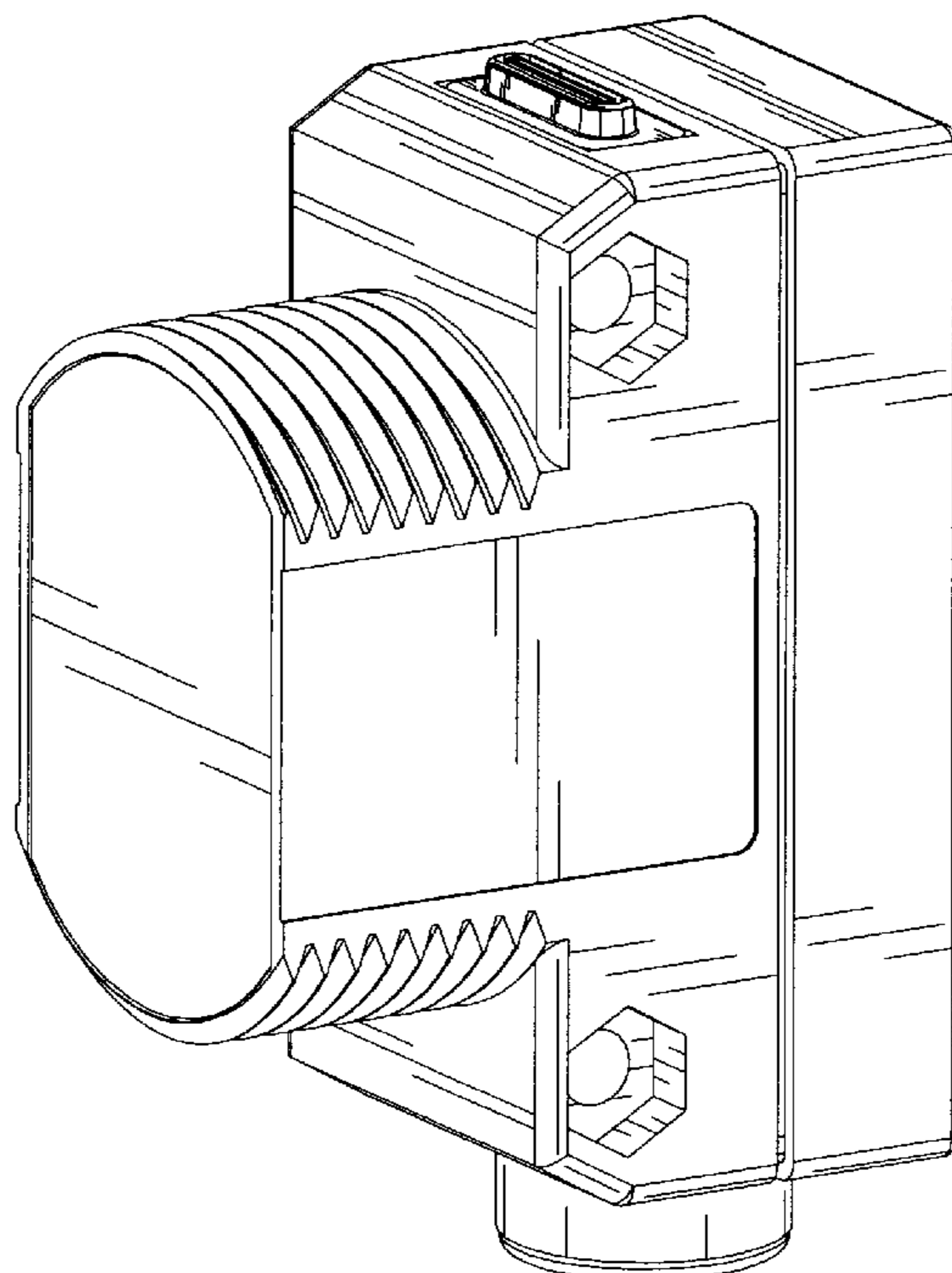
FIG. 5 is a bottom plan view of the housing depicted in FIG. 1;

FIG. 6 is a top plan view of the housing depicted in FIG. 1;

FIG. 7 is a rear elevational view of the housing depicted in FIG. 1; and,

FIG. 8 is a front elevational view of the housing depicted in FIG. 1.

1 Claim, 4 Drawing Sheets



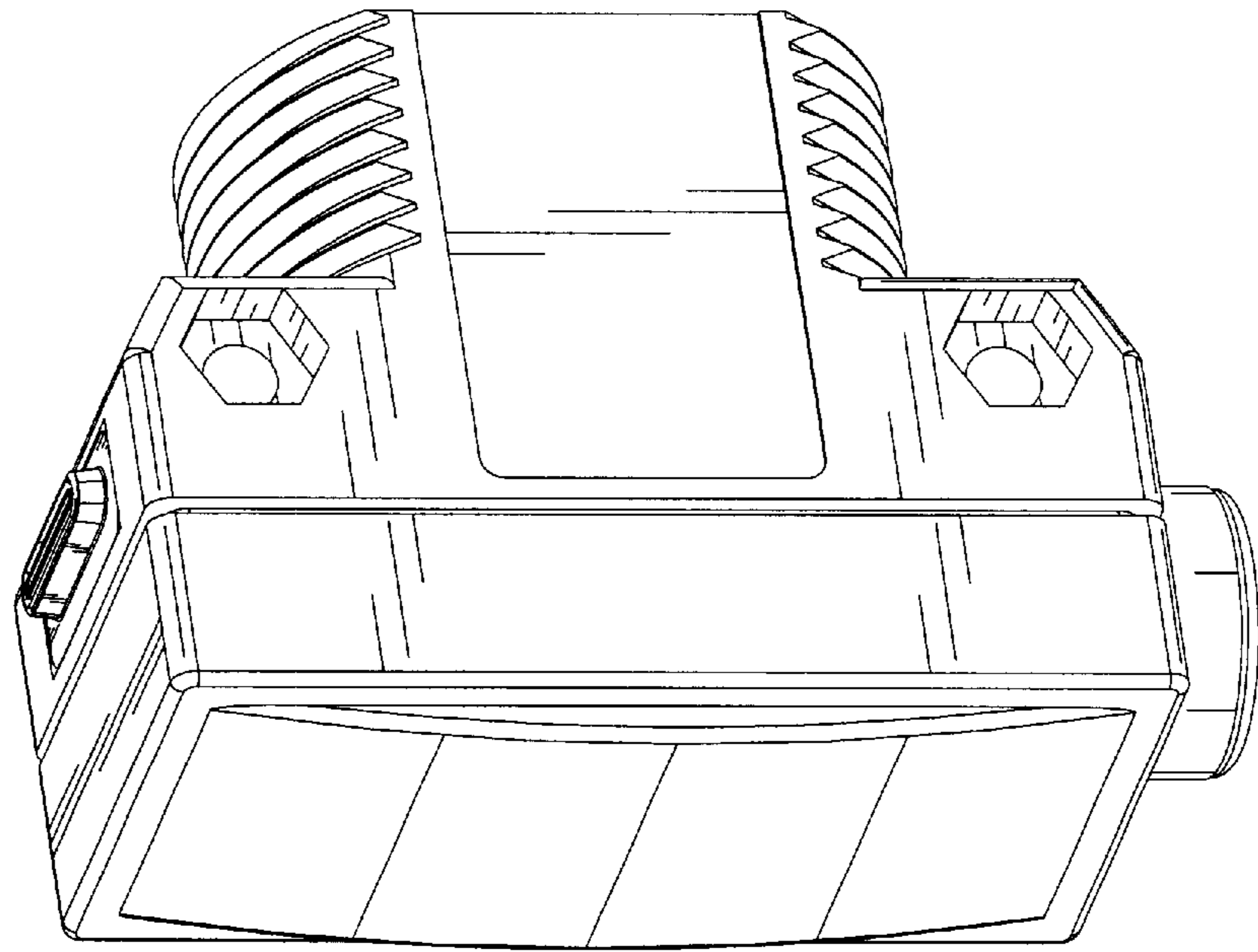


FIG. 2

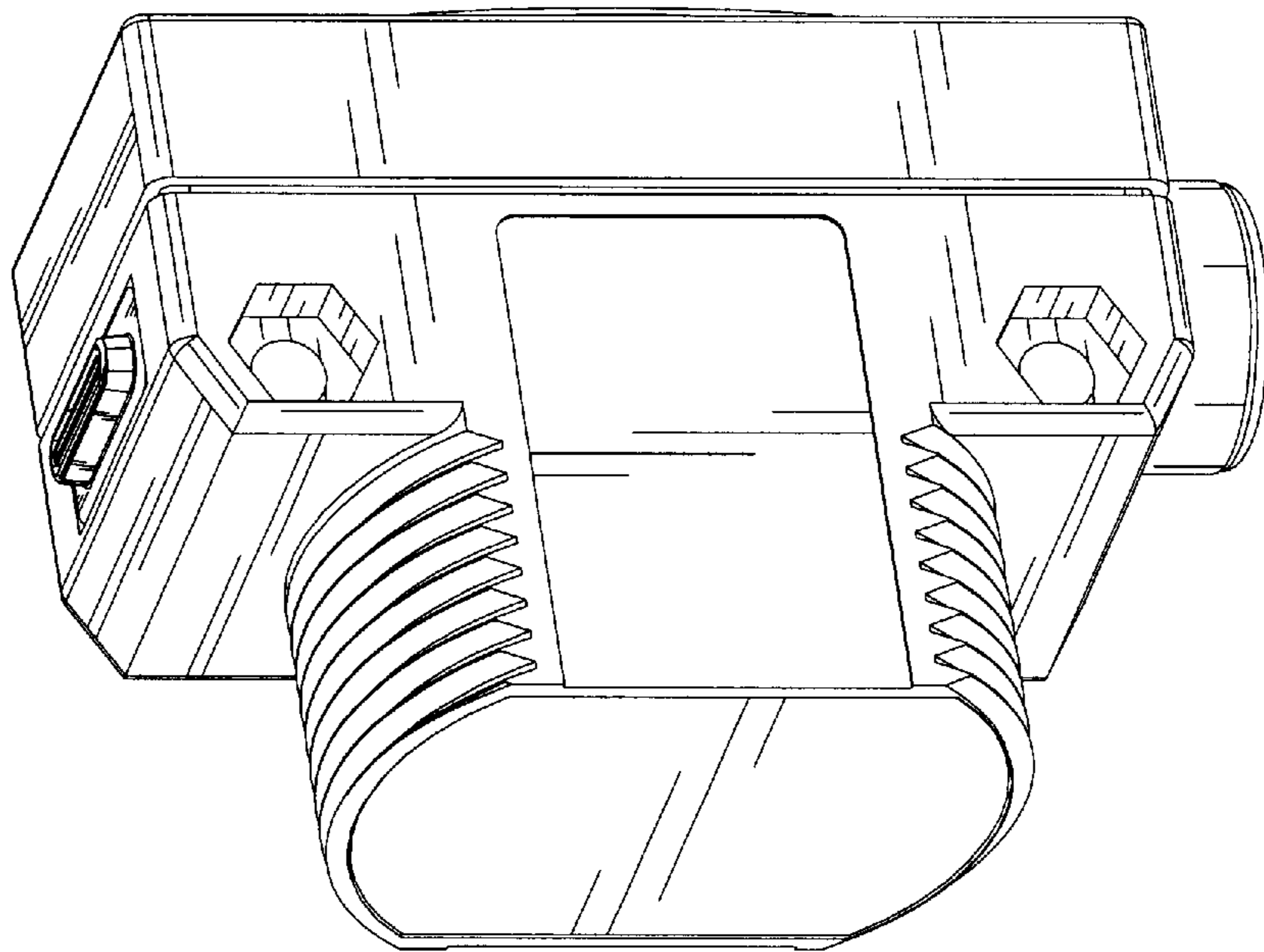


FIG. 1

FIG.4

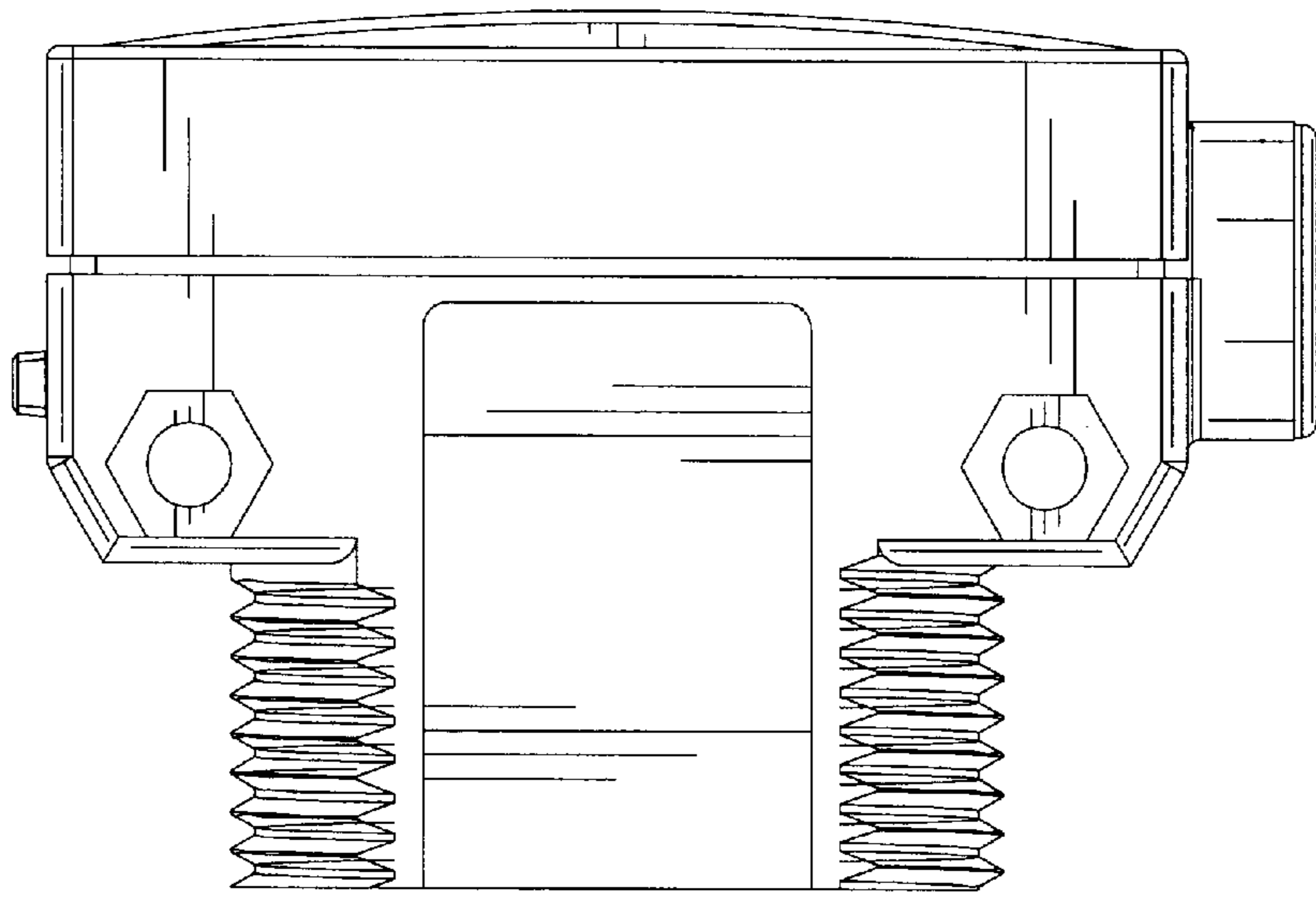


FIG.3

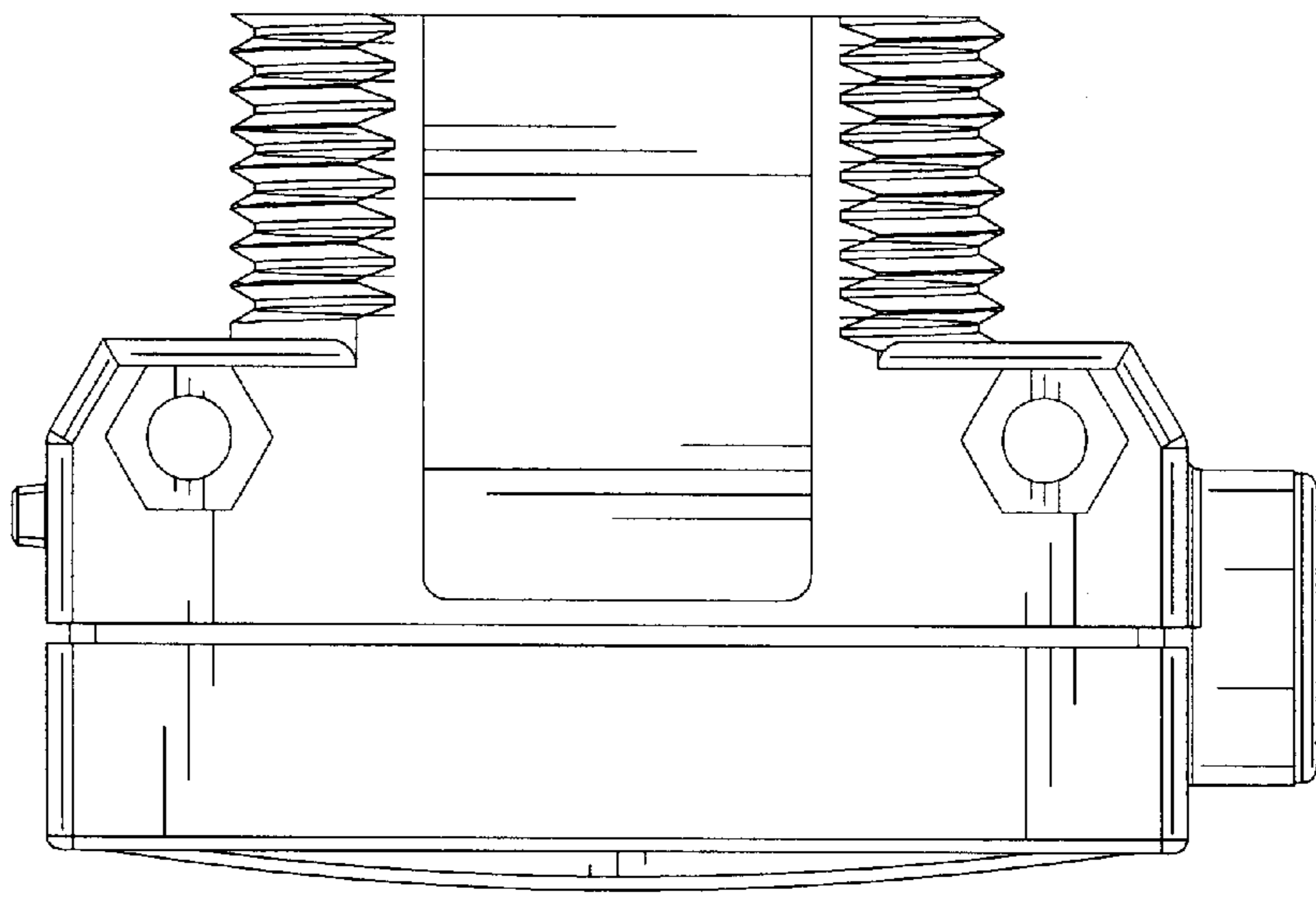


FIG.6

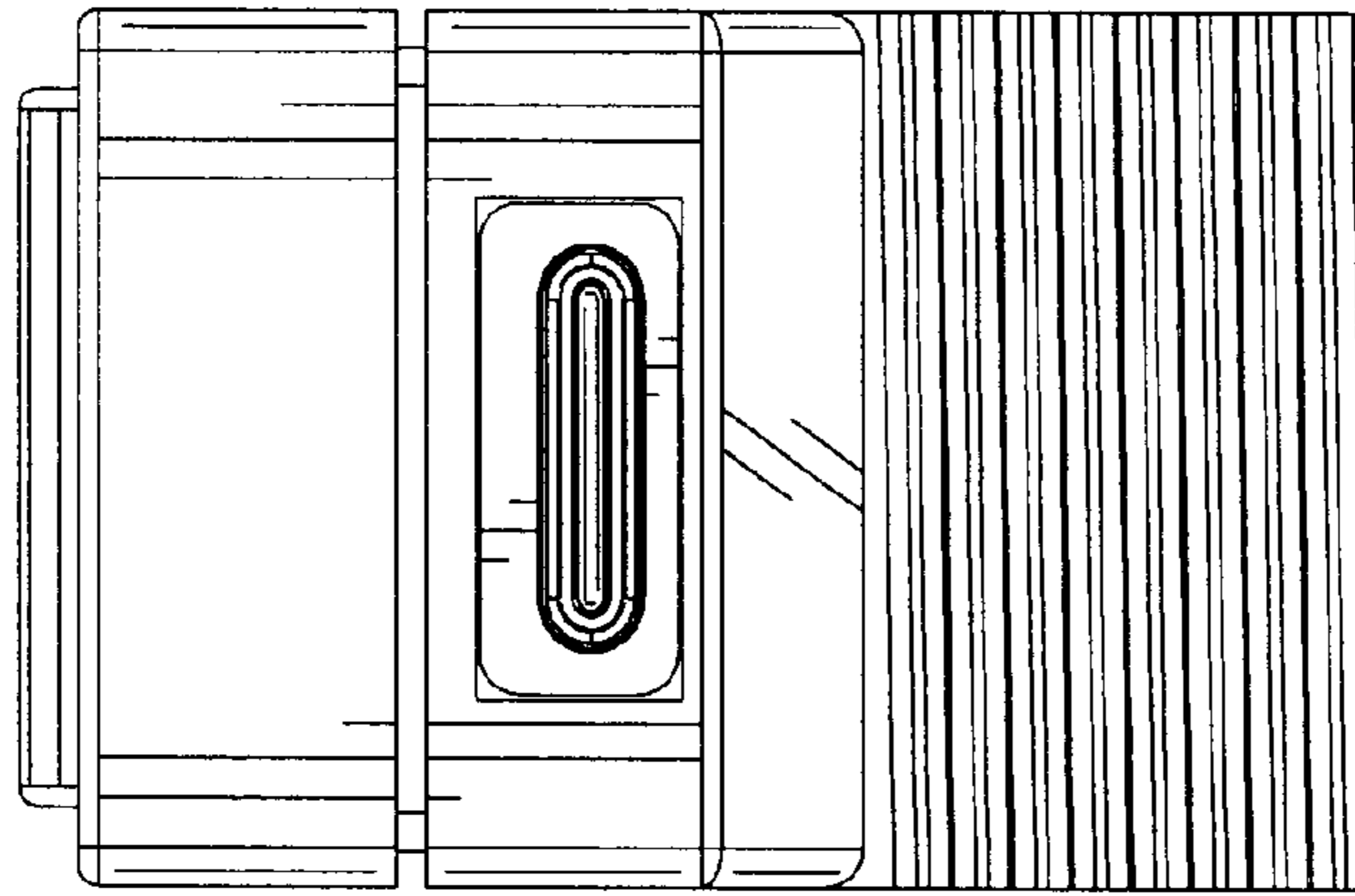


FIG.5

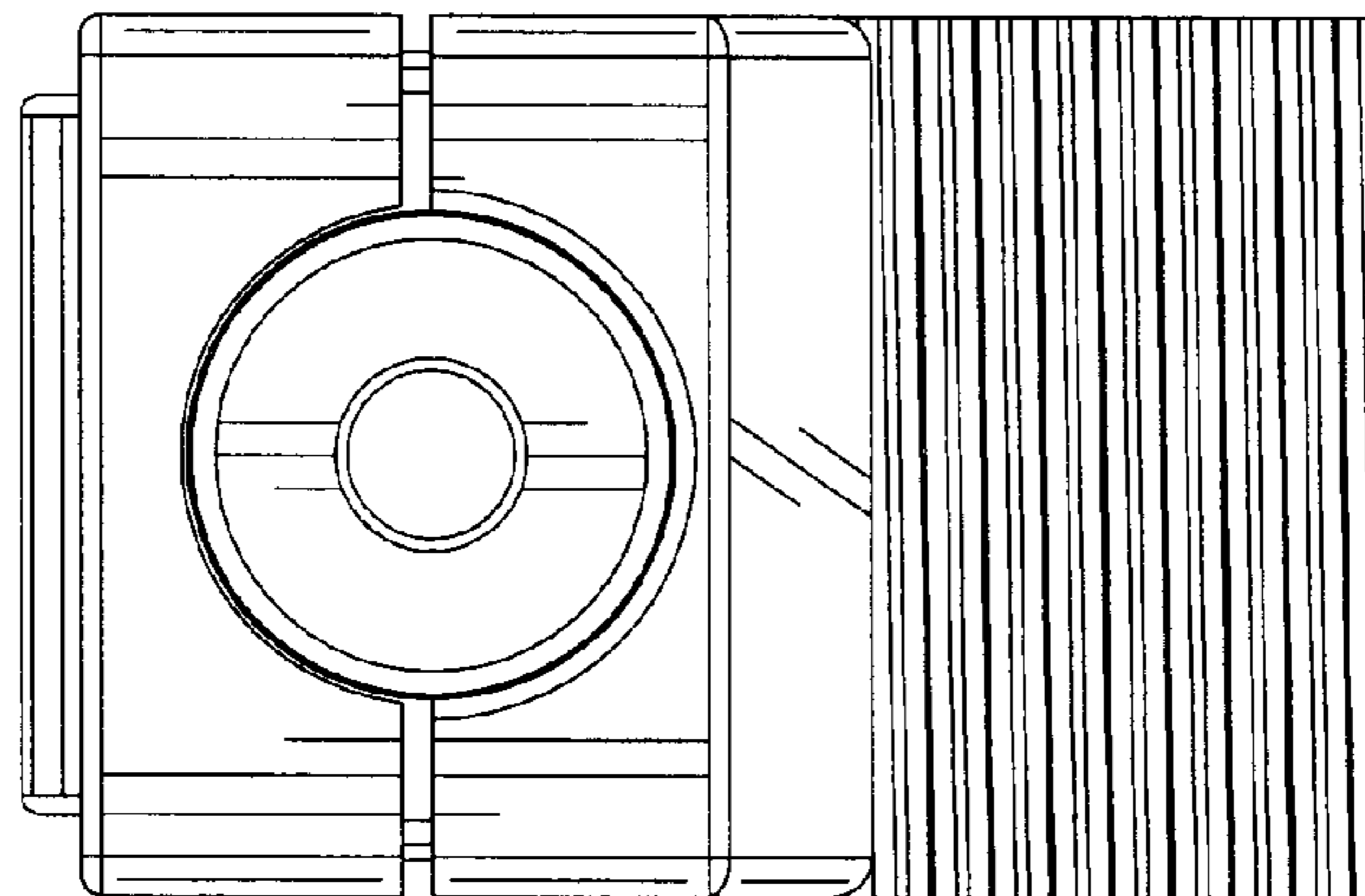


FIG. 8

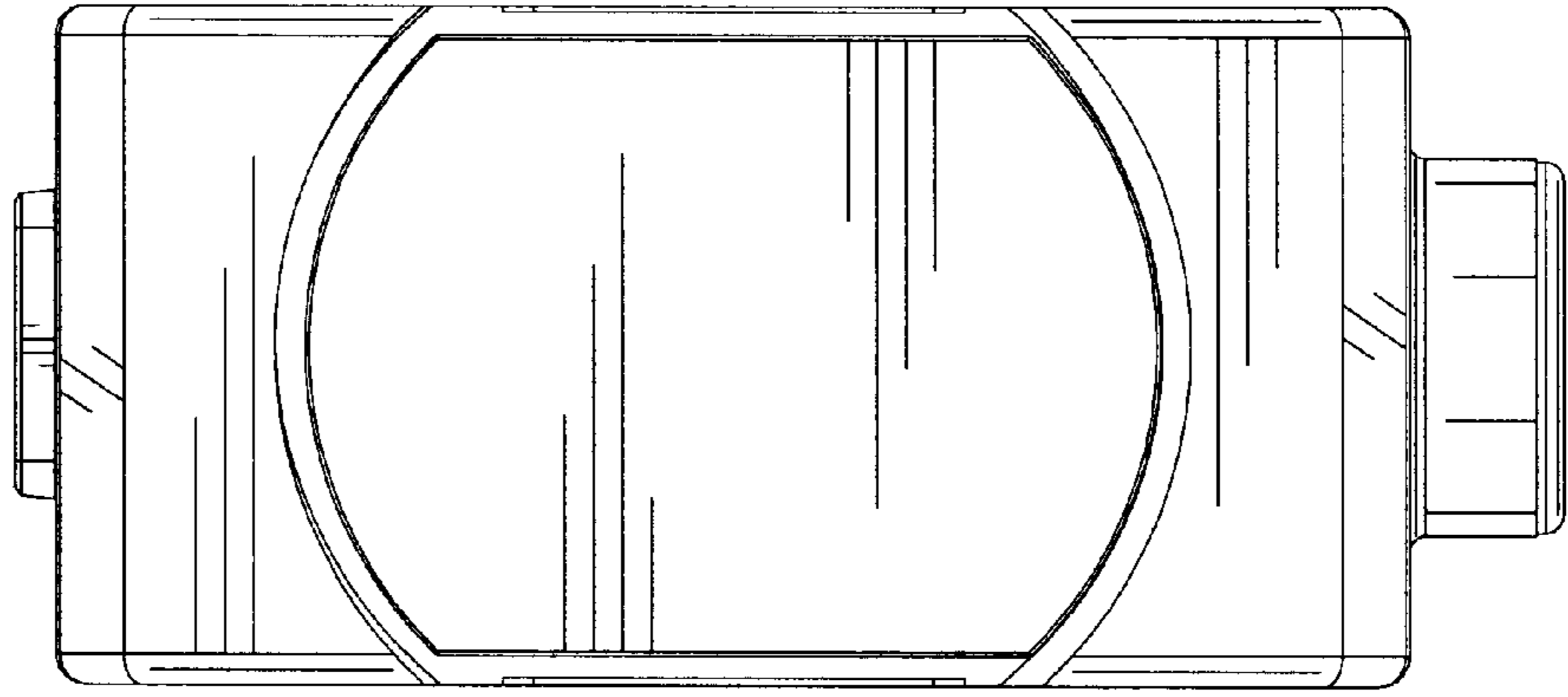


FIG. 7

