



US00D470459S

(12) **United States Design Patent**  
**Goto**

(10) **Patent No.:** **US D470,459 S**

(45) **Date of Patent:** **\*\* Feb. 18, 2003**

(54) **ELECTRIC CONNECTOR**

(75) **Inventor:** **Teiyu Goto, Tokyo (JP)**

(73) **Assignee:** **Sony Computer Entertainment Inc., Tokyo (JP)**

(\*\*) **Term:** **14 Years**

(21) **Appl. No.:** **29/146,029**

(22) **Filed:** **Aug. 3, 2001**

(30) **Foreign Application Priority Data**

May 17, 2001 (JP) ..... 2001-014116

(51) **LOC (7) Cl.** ..... **13-03**

(52) **U.S. Cl.** ..... **D13/133**

(58) **Field of Search** ..... D13/133, 146, D13/147; D21/333; 439/928.1, 929

(56) **References Cited**

**U.S. PATENT DOCUMENTS**

- D366,047 S \* 1/1996 Rak et al. .... D13/147 X
- 5,738,537 A \* 4/1998 Setoguchi et al. ... 439/928.1 X
- D424,512 S \* 5/2000 Ho ..... D13/103

- D439,218 S \* 3/2001 Yu ..... D21/333 X
- 6,220,883 B1 \* 4/2001 Helot et al. .... 439/929 X
- D446,497 S \* 8/2001 Yu ..... D13/103
- D454,561 S \* 3/2002 Hollinger ..... D14/253
- D459,350 S \* 6/2002 Goto ..... D14/371

\* cited by examiner

*Primary Examiner*—Joel Sincavage

(74) *Attorney, Agent, or Firm*—Rader, Fishman & Grauer PLLC

(57) **CLAIM**

The ornamental design for an electric connector, as shown and described.

**DESCRIPTION**

FIG. 1 is a front elevational view of an electric connector showing my design;  
 FIG. 2 is a rear elevational view thereof;  
 FIG. 3 is a left side elevational view thereof;  
 FIG. 4 is a right side elevational view thereof;  
 FIG. 5 is a top plan view thereof; and,  
 FIG. 6 is a bottom plan view thereof.

**1 Claim, 3 Drawing Sheets**

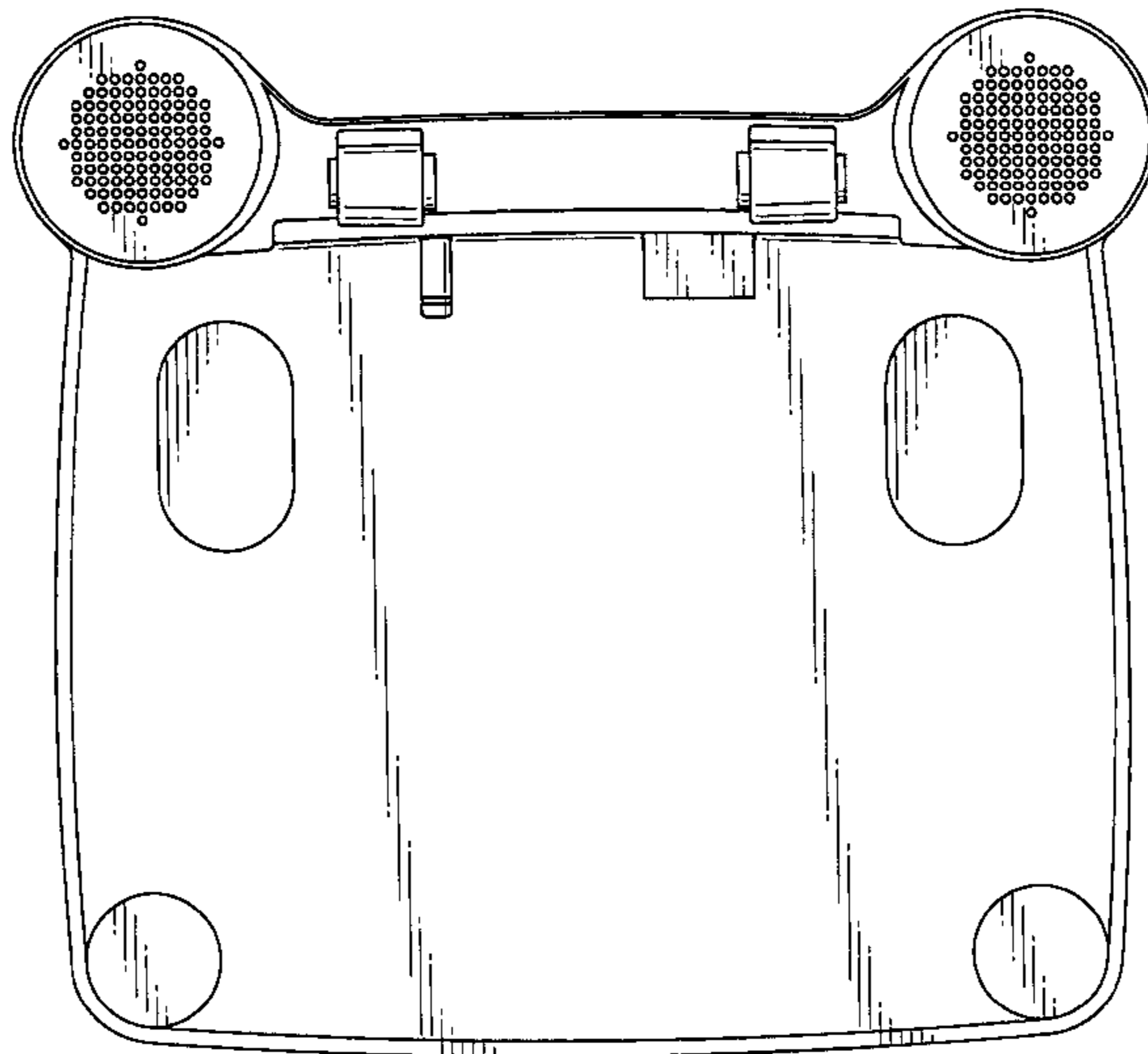
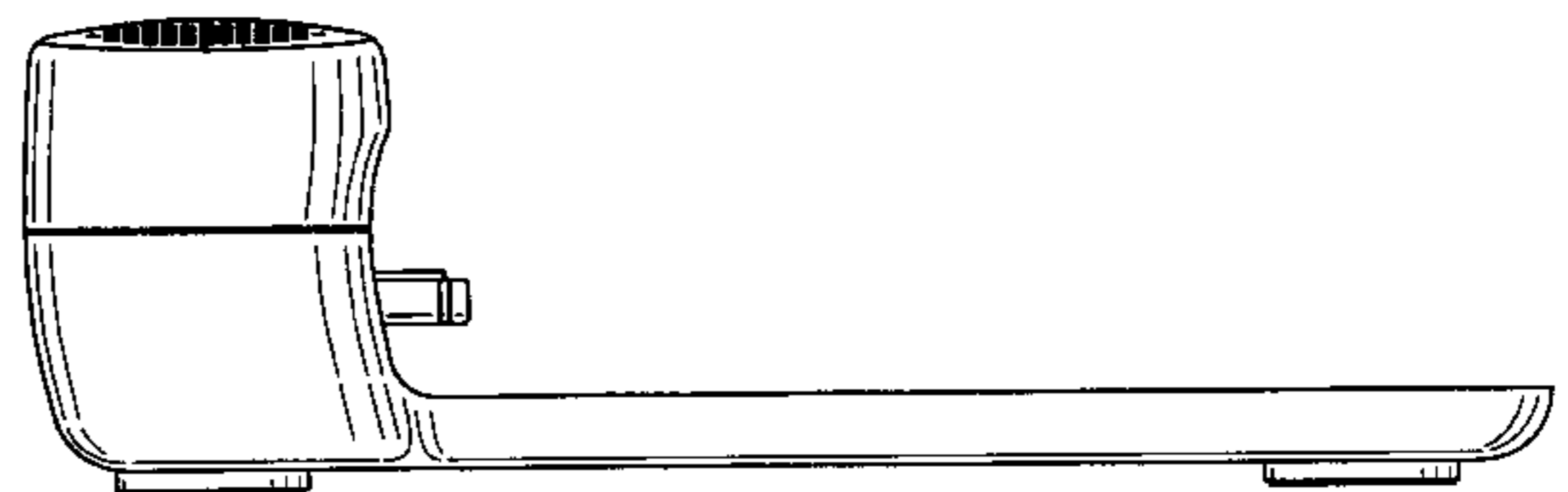
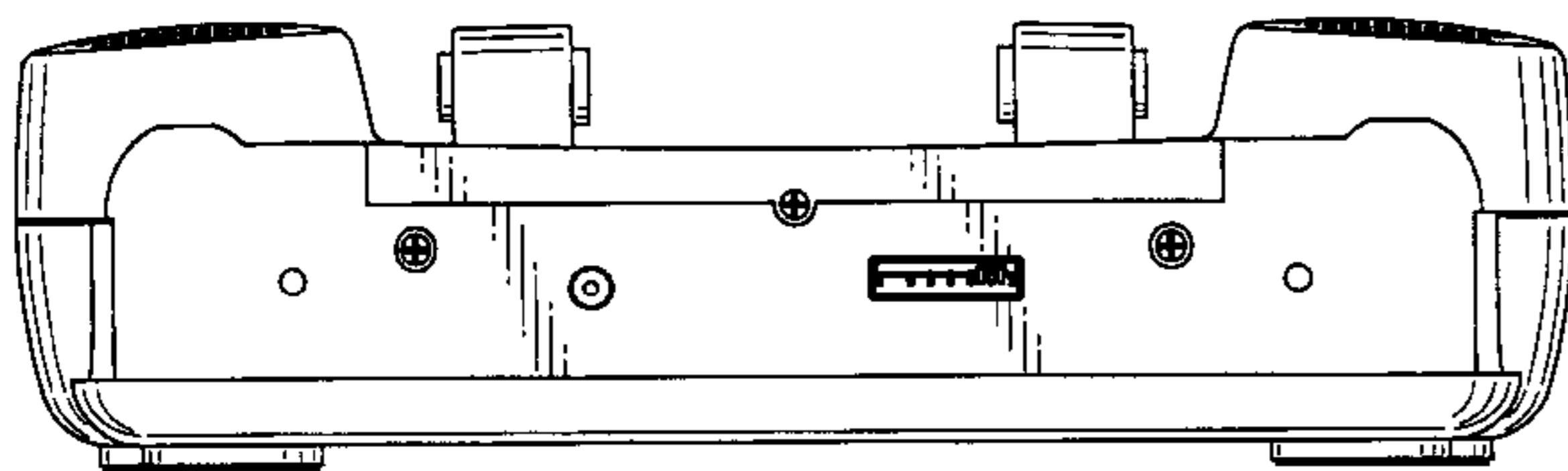


FIG. 1

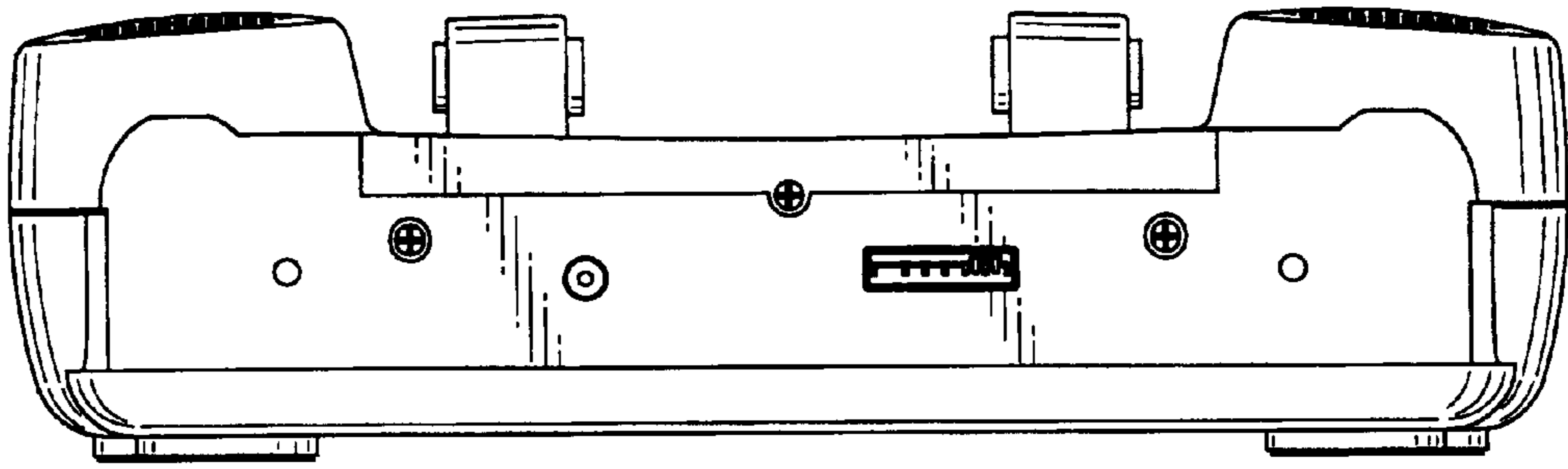


FIG. 2

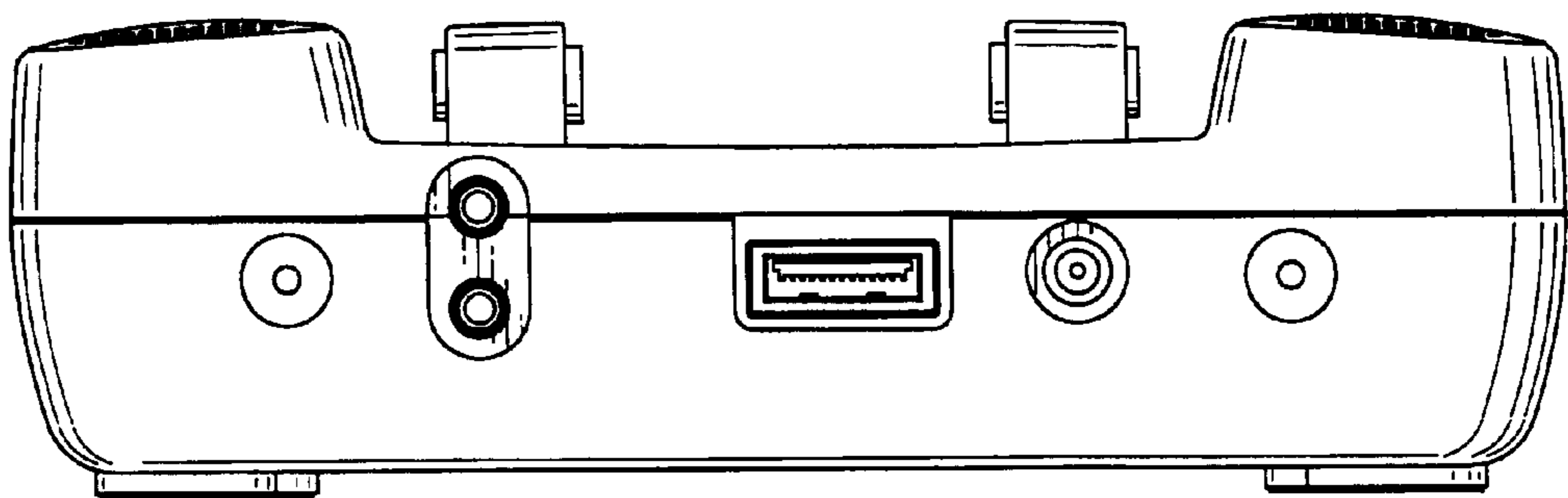


FIG. 3

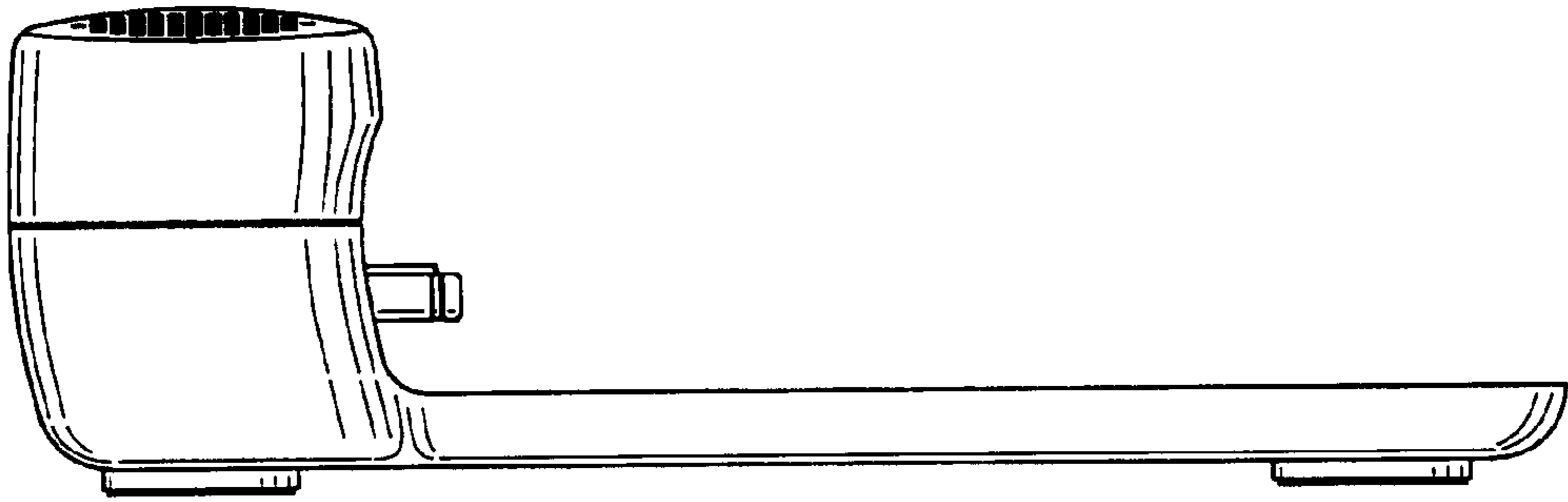


FIG. 4

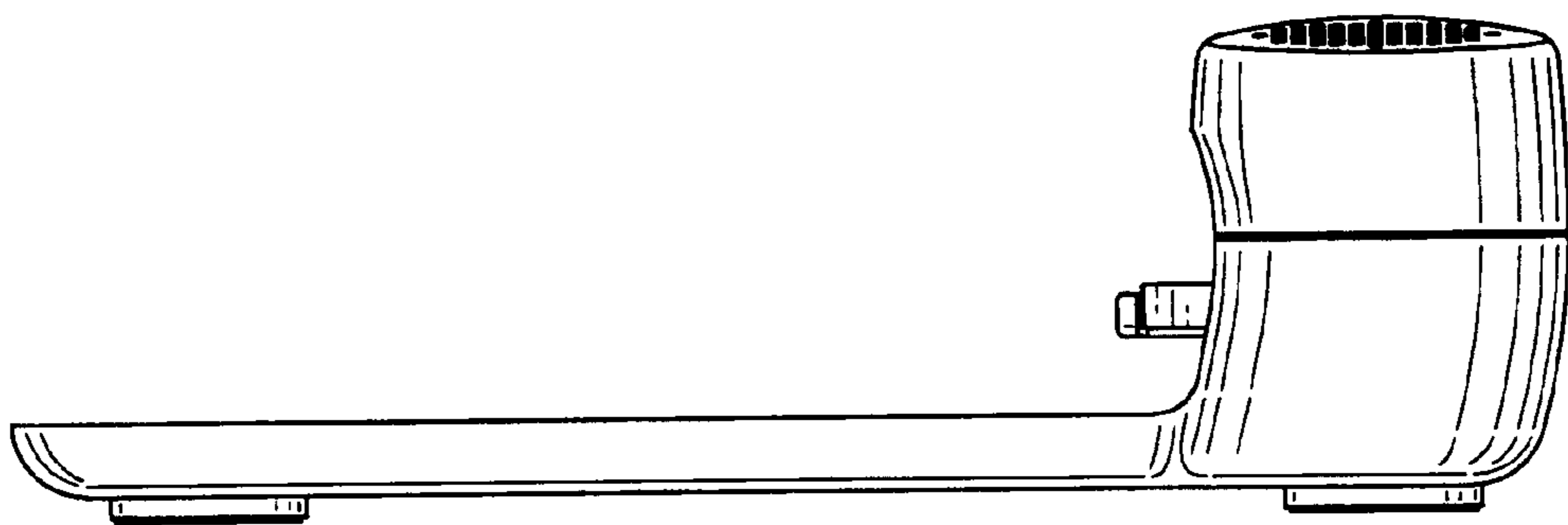


FIG. 5

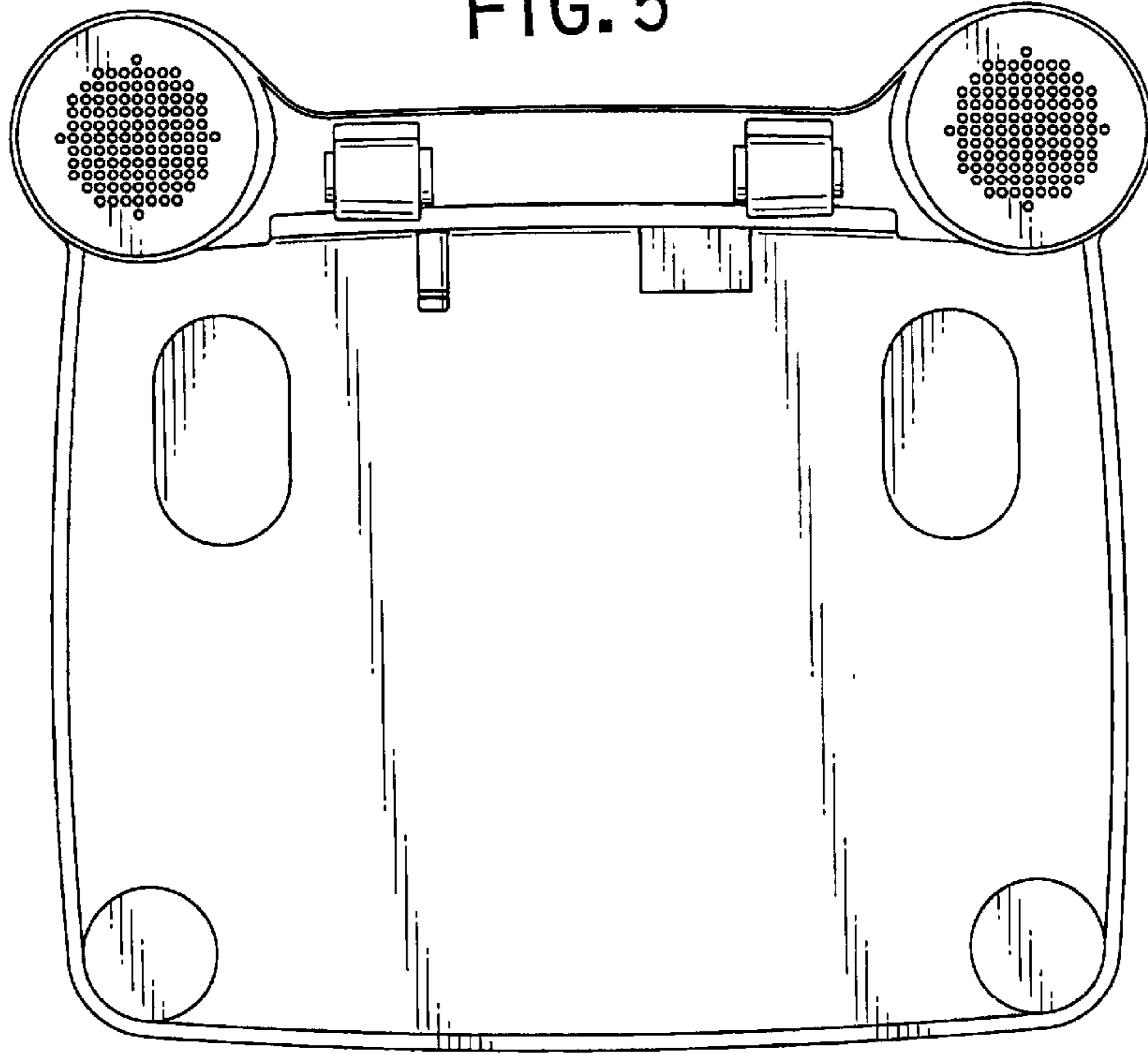


FIG. 6

