



US00D470450S

(12) **United States Design Patent**
Olzak

(10) **Patent No.:** **US D470,450 S**

(45) **Date of Patent:** **** Feb. 18, 2003**

(54) **ENCLOSURE FOR CRASH SURVIVABLE
DATA RECORDER**

D425,506 S * 5/2000 Olzak et al. D14/167
6,153,720 A * 11/2000 Olzak et al. 528/182
D457,510 S * 5/2002 Olzak et al. D14/167

(75) Inventor: **Richard Olzak**, Kirkland, WA (US)

* cited by examiner

(73) Assignee: **Honeywell International Inc.**,
Morristown, NJ (US)

Primary Examiner—Stacia Cadmus

(**) Term: **14 Years**

(57) **CLAIM**

(21) Appl. No.: **29/142,342**

The ornamental design for enclosure for crash survivable data recorder, as shown and described.

(22) Filed: **May 22, 2001**

DESCRIPTION

(51) **LOC (7) Cl.** **12-16**

(52) **U.S. Cl.** **D12/400; D6/448; D14/168**

(58) **Field of Search** D12/400, 415,
D12/423, 345; D14/168, 167; D6/448, 449,
432, 455-456, 496; 109/29, 84; D9/430;
169/48; 455/344, 347, 351; 528/182, 186;
206/305, 321, 811; 220/560.01, 453, 468,
88.1; 361/704; 174/52.2

FIG. 1 is a perspective view of a crash survivable data recorder showing my new design;
FIG. 2 is a top plan view thereof;
FIG. 3 is a bottom plan view thereof;
FIG. 4 is a front elevational view, the rear elevational view being a mirror image thereof;
FIG. 5 is a right side elevational view, the left side elevational view being a mirror image thereof;
FIG. 6 is a perspective view of a second embodiment of the invention;
FIG. 7 is a front elevational view of FIG. 6;
FIG. 8 is a rear elevational view of FIG. 6;
FIG. 9 is a perspective of a third embodiment of the invention;
FIG. 10 is a front elevational view of FIG. 9; and,
FIG. 11 is a rear elevational view of FIG. 9.

(56) **References Cited**

U.S. PATENT DOCUMENTS

3,702,592 A * 11/1972 Gamble 109/29
4,694,119 A * 9/1987 Groenewegen 174/52.2
4,944,401 A * 7/1990 Groenewegen 206/521
D327,793 S * 7/1992 McGrory D6/448
D336,177 S * 6/1993 Kulaga D6/432
D383,278 S * 9/1997 Jennings D6/432 X
5,708,565 A * 1/1998 Fairbanks 206/305 X

1 Claim, 3 Drawing Sheets

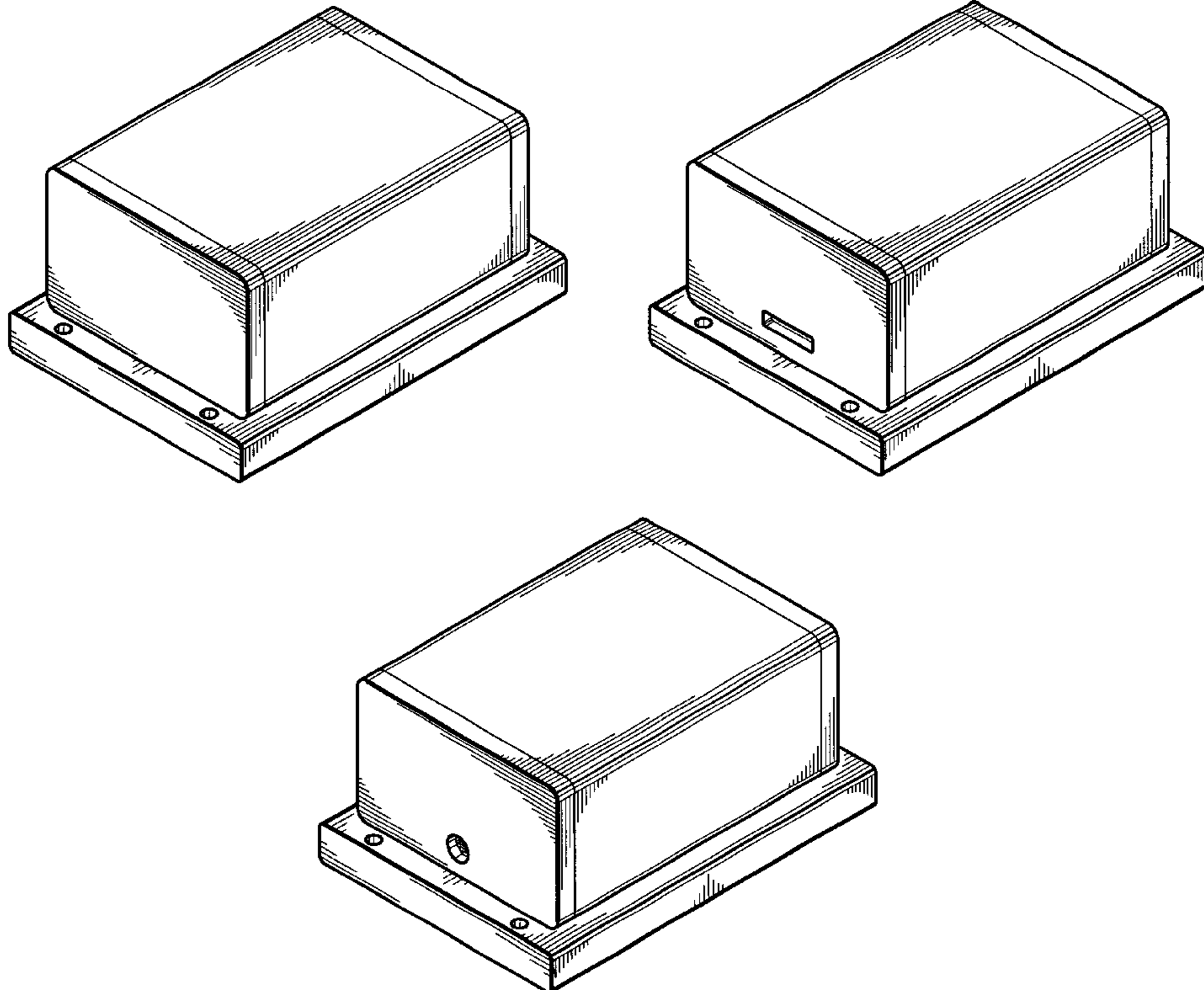


Fig.1

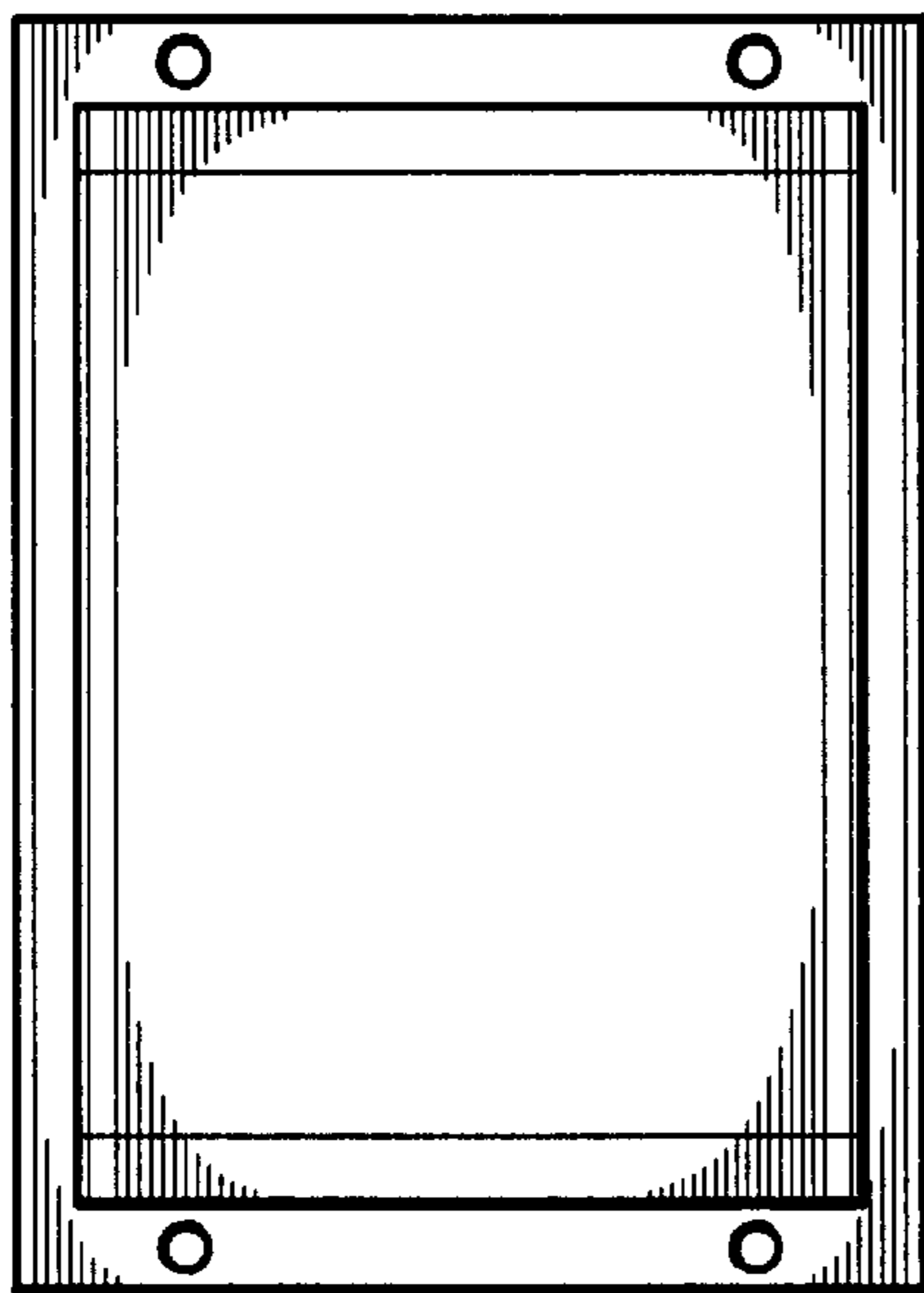
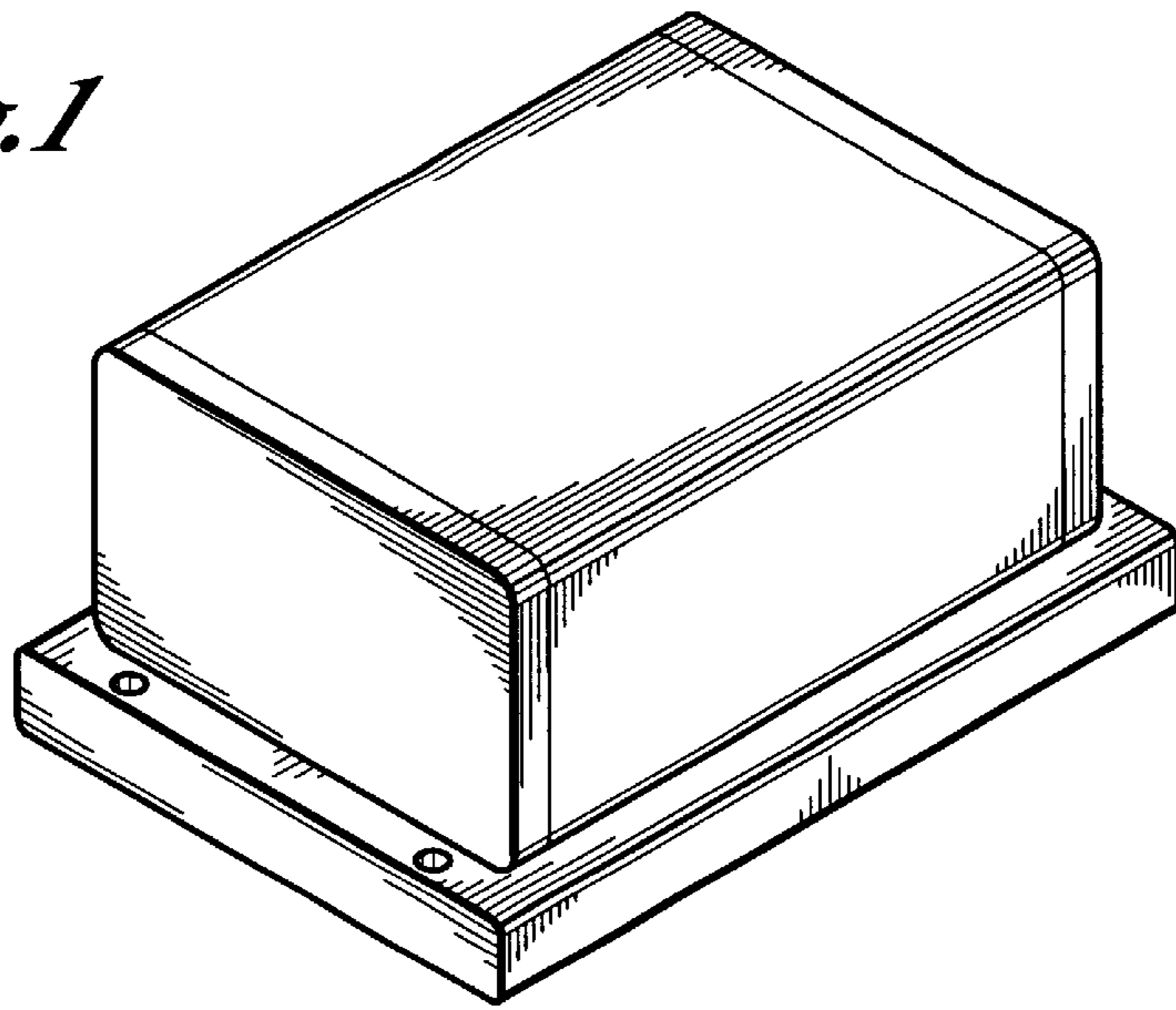


Fig.2

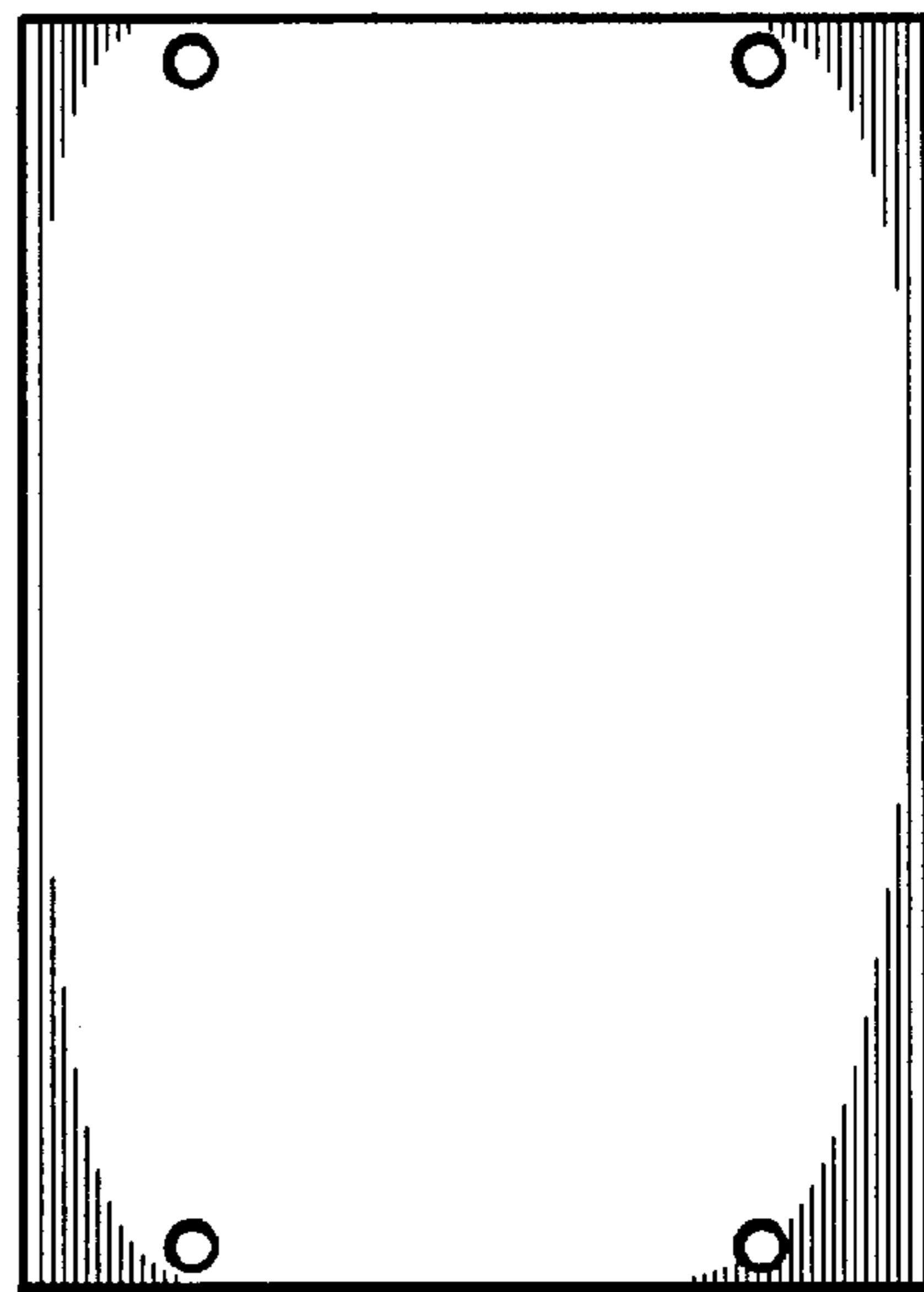


Fig.3

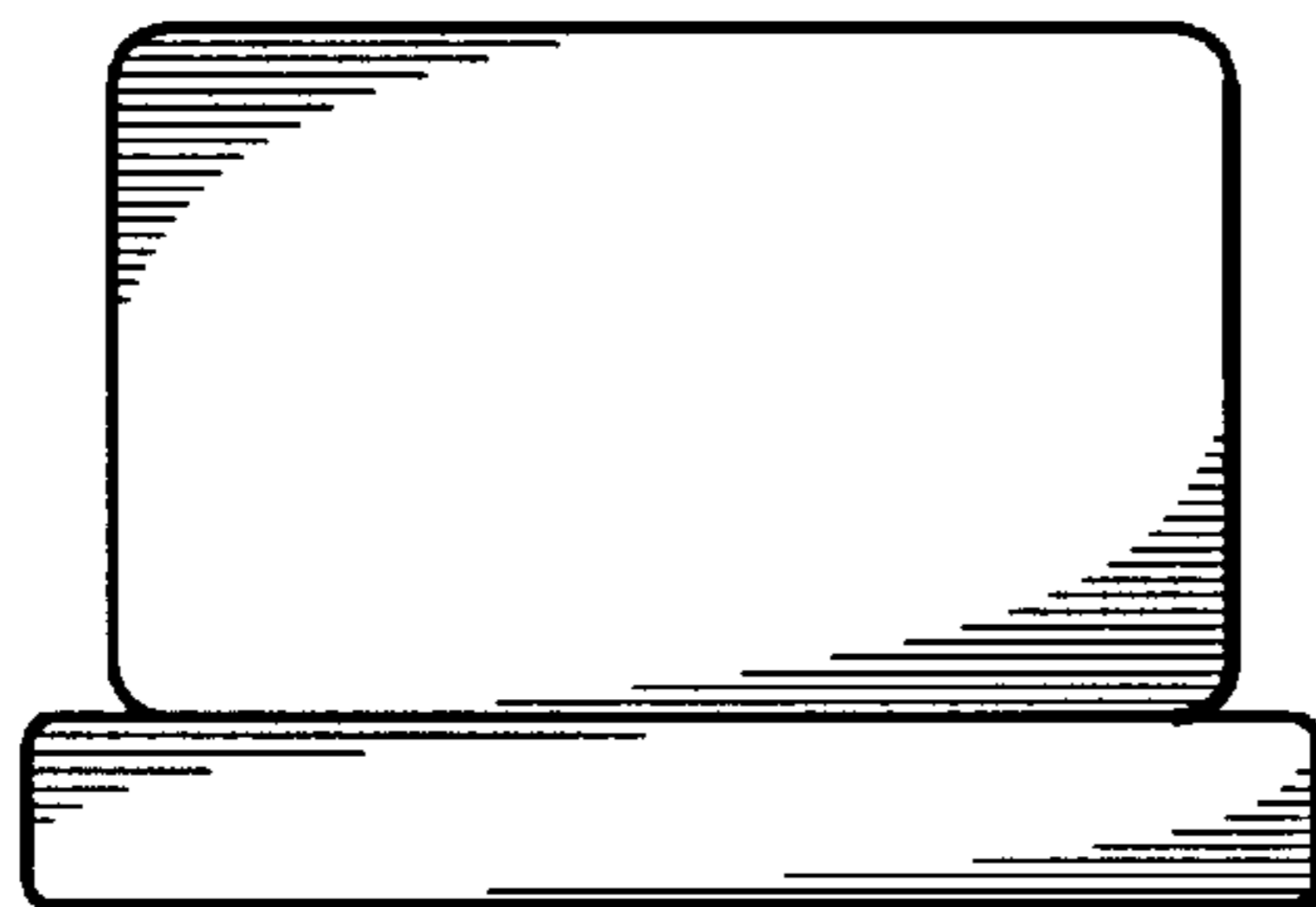


Fig.4

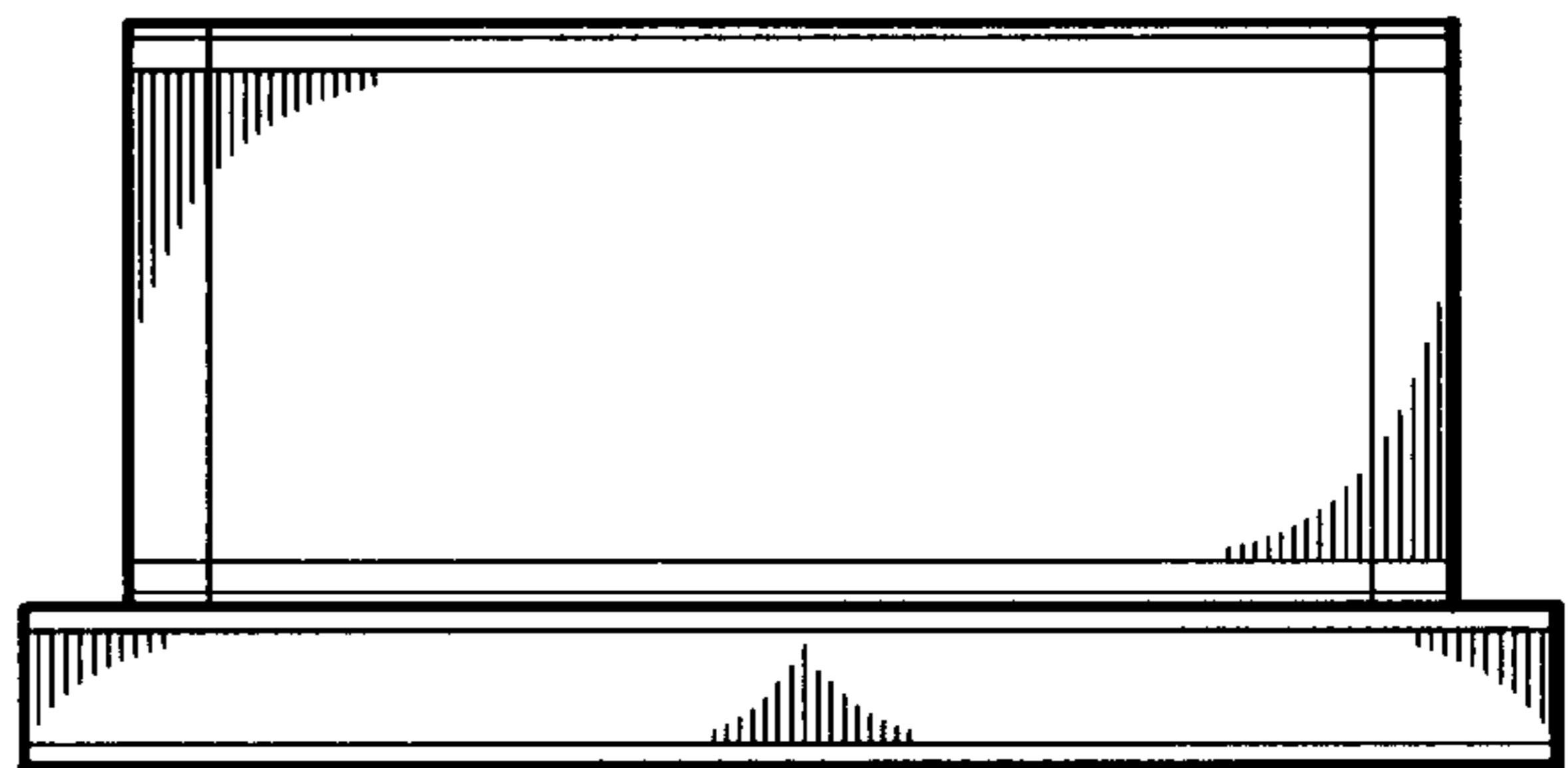


Fig.5

Fig. 6

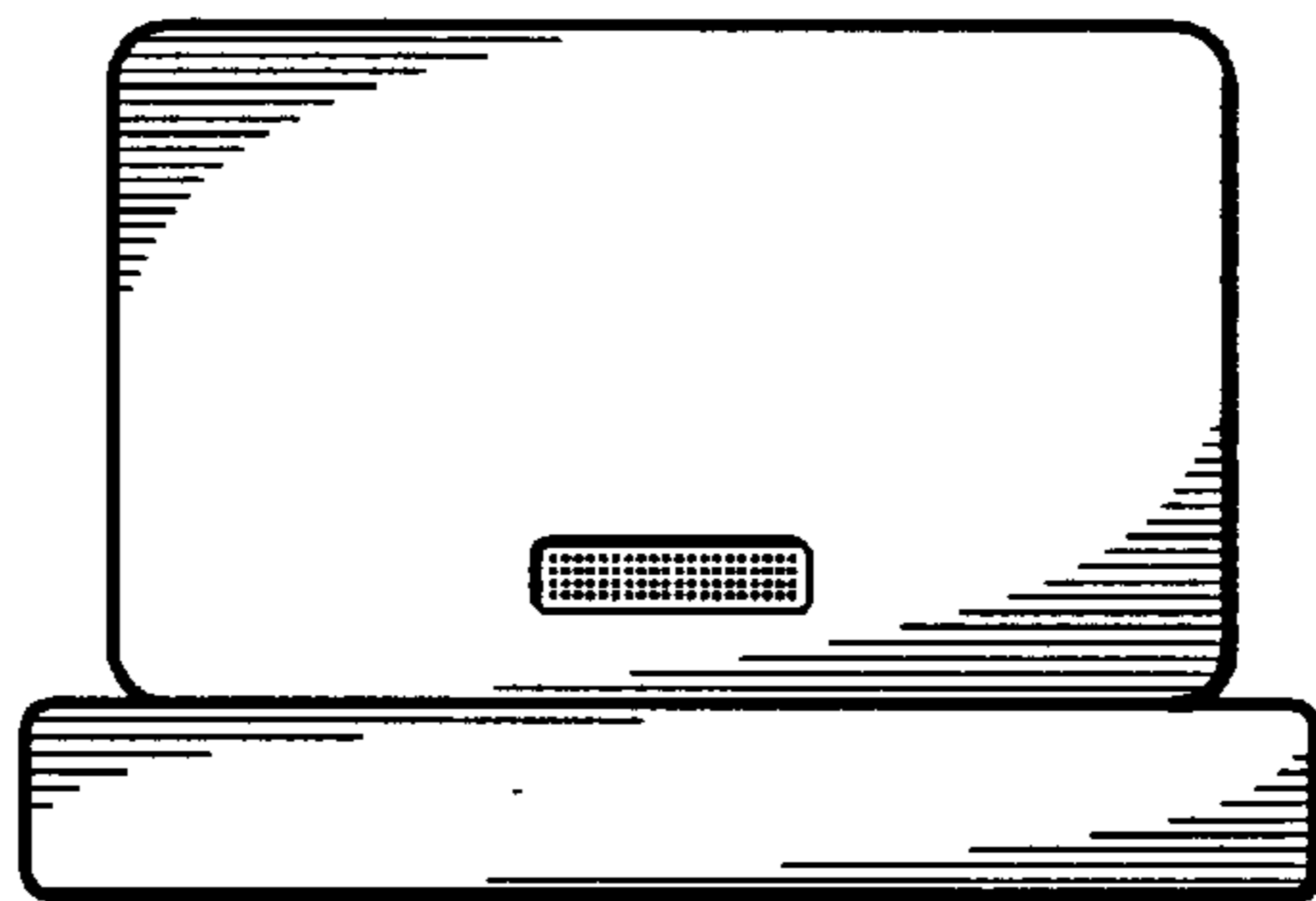
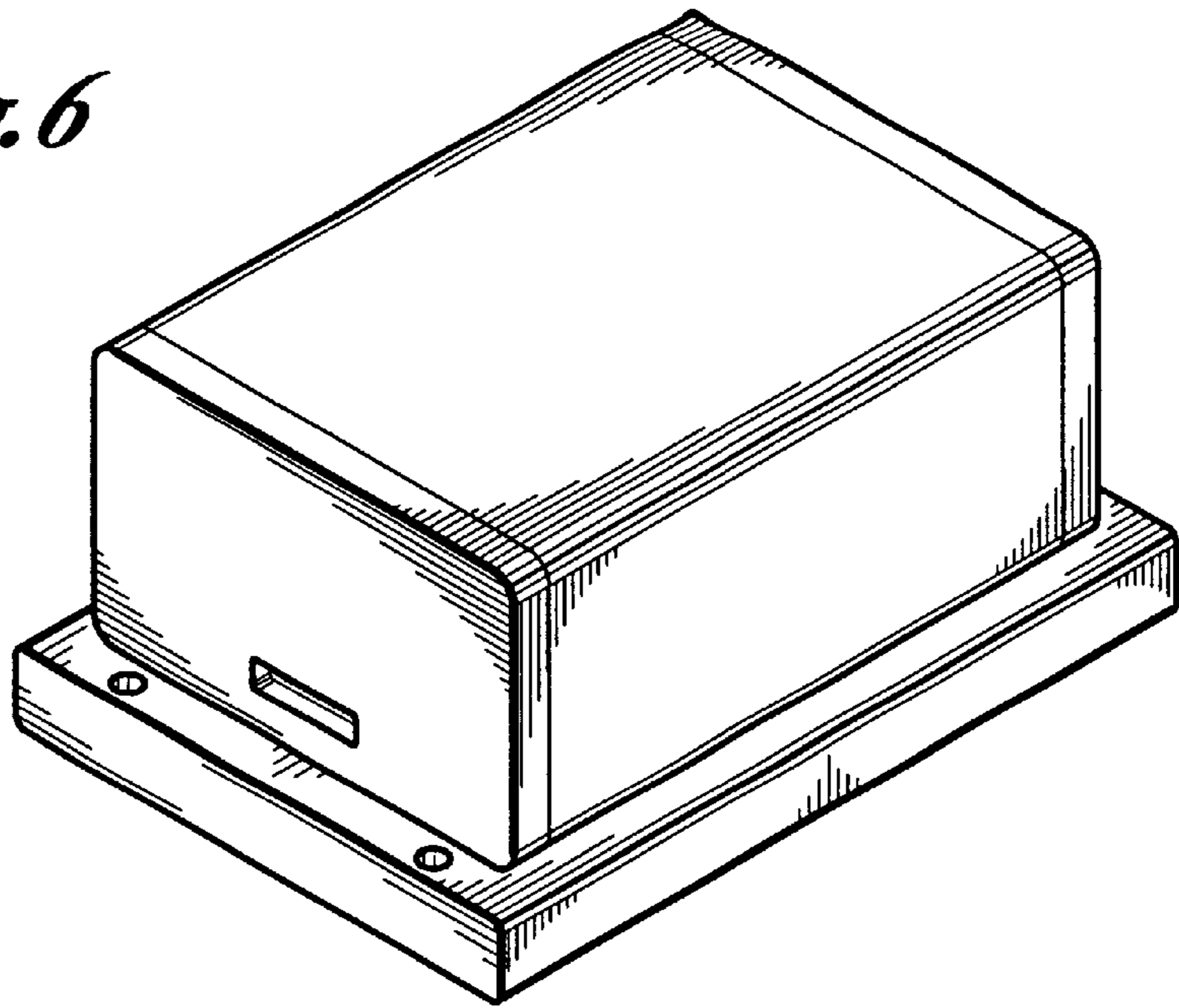


Fig. 7

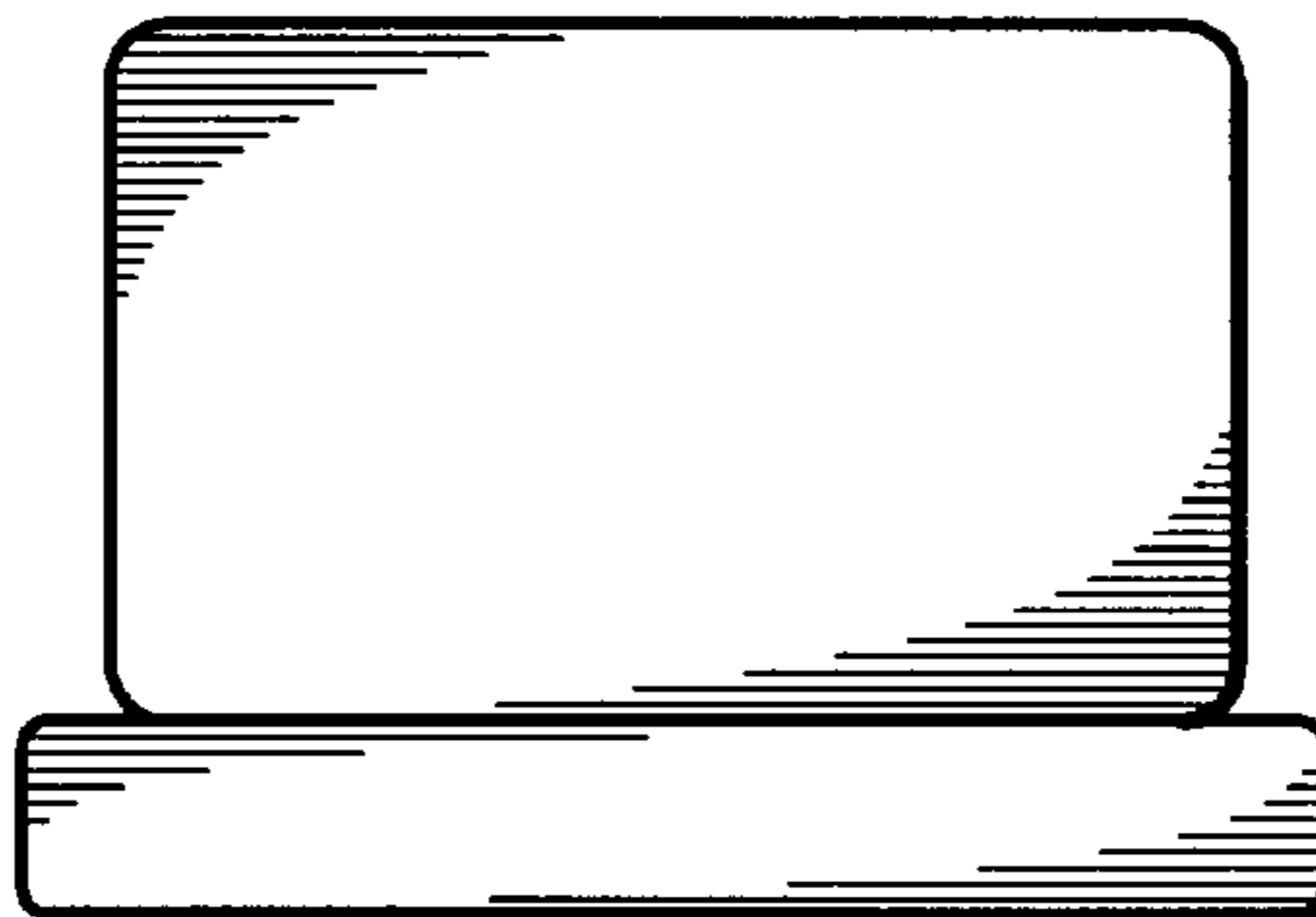


Fig. 8

Fig.9

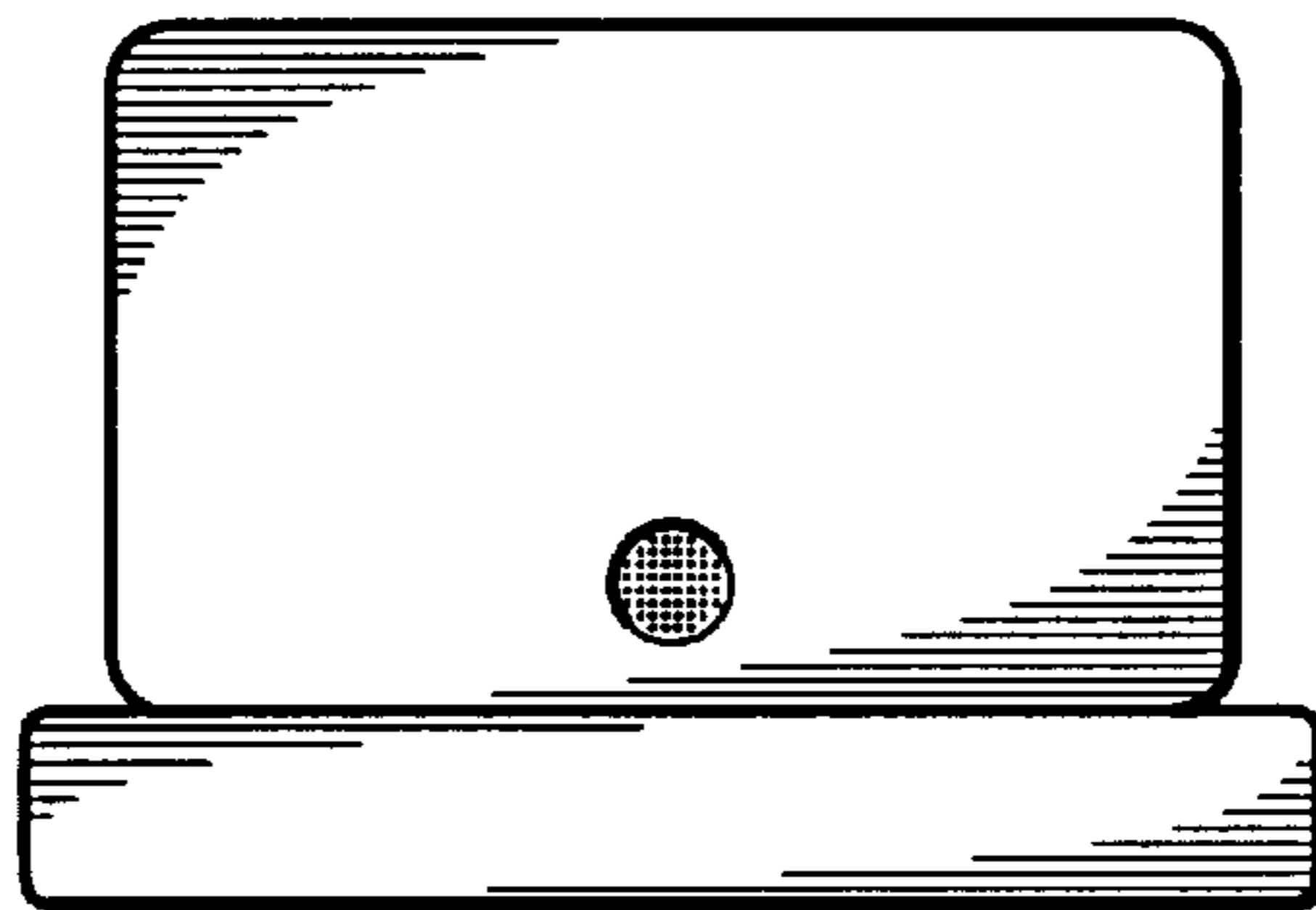
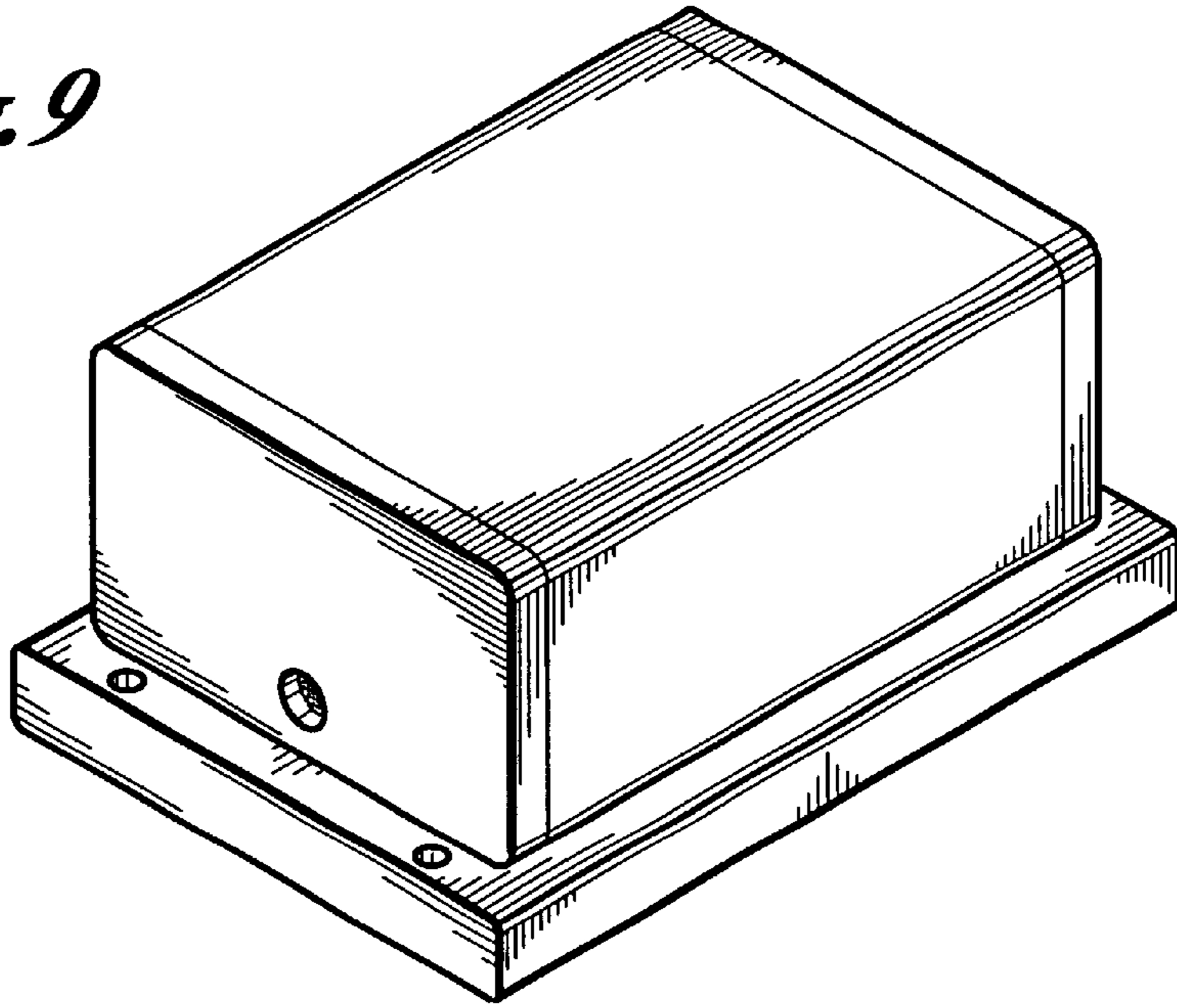


Fig.10

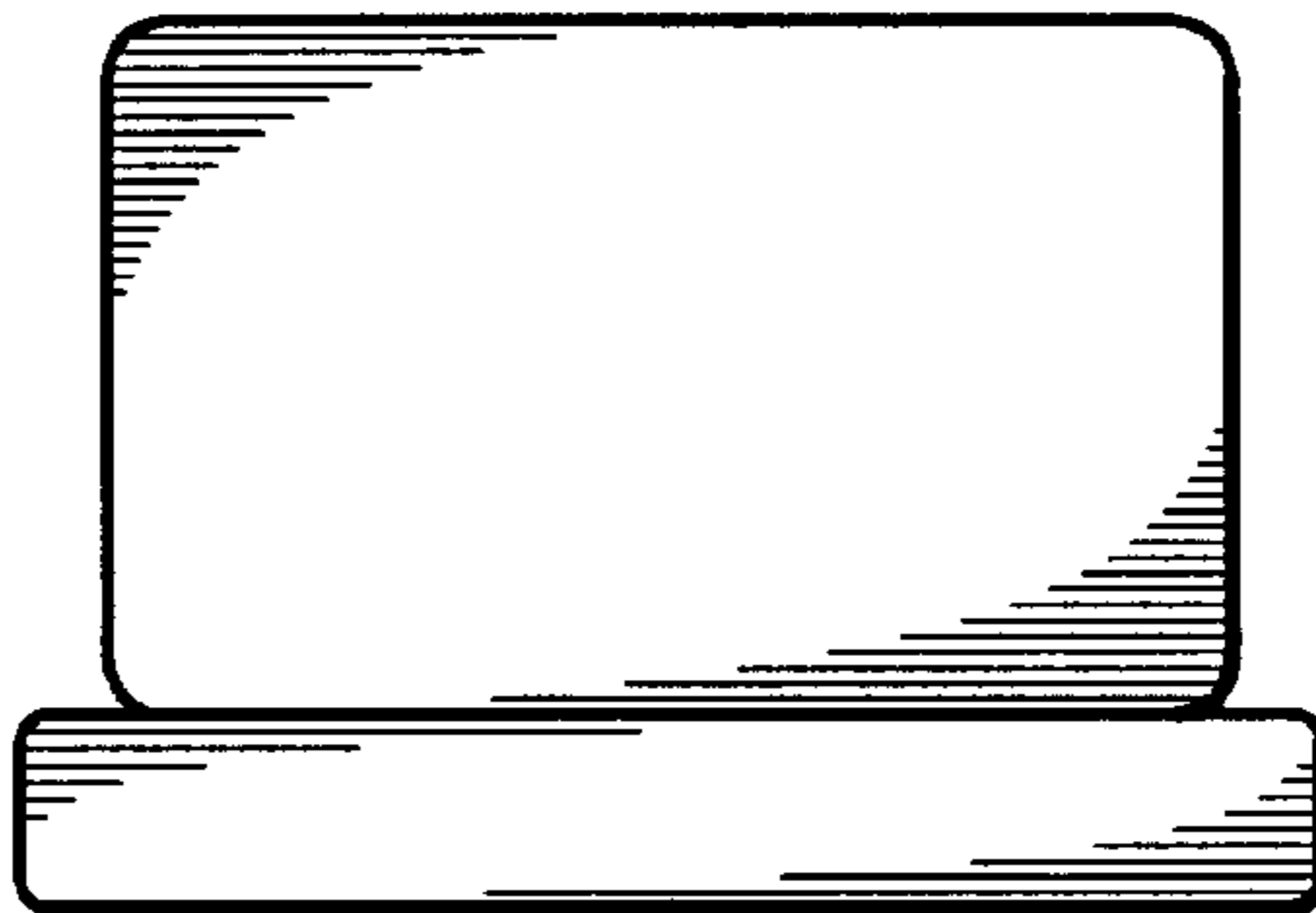


Fig.11