



US00D470447S

(12) **United States Design Patent**  
**Orey**

(10) **Patent No.:** **US D470,447 S**

(45) **Date of Patent:** **\*\* Feb. 18, 2003**

(54) **WHEEL HUB**

(75) **Inventor:** **Gary L. Orey, Portland, OR (US)**

(73) **Assignee:** **Consolidated Metco Inc., Portland, OR (US)**

(\*\*) **Term:** **14 Years**

(21) **Appl. No.:** **29/153,788**

(22) **Filed:** **Jan. 16, 2002**

(51) **LOC (7) Cl.** ..... **12-16**

(52) **U.S. Cl.** ..... **D12/207**

(58) **Field of Search** ..... **D12/204-213;**  
**301/64.1, 65, 63.1, 108.1, 108.5, 105.1,**  
**37.29, 110.5**

(56) **References Cited**

**U.S. PATENT DOCUMENTS**

D35,485 S	*	12/1901	Mandt	.....	D12/207
D140,572 S	*	3/1945	Roe	.....	D12/207
D217,798 S	*	6/1970	Christian	.....	D12/207
D267,639 S	*	1/1983	Moore	.....	D12/207
D274,716 S		7/1984	Mahnig		
D292,200 S		10/1987	Carmichael		
D330,883 S	*	11/1992	Harr	.....	D12/207

D333,647 S		3/1993	Carmichael		
D364,842 S	*	12/1995	Hoepfner et al.	.....	D12/207
D367,838 S	*	3/1996	Snook	.....	D12/207
D381,310 S	*	7/1997	Zemlicka et al.	.....	D12/207
D381,615 S		7/1997	Smith et al.		
D398,691 S	*	9/1998	Bromley	.....	D12/207 X

\* cited by examiner

*Primary Examiner*—Stacia Cadmus

(74) *Attorney, Agent, or Firm*—Edward J. Brosius

(57) **CLAIM**

The ornamental design for a wheel hub, as shown and described.

**DESCRIPTION**

The nature and intended use of the present design is on a wheel hub for heavy duty trucks.

FIG. 1 is a perspective view of a wheel hub of the preferred embodiment of the present invention as viewed from an outboard end thereof;

FIG. 2 is a plan view of the wheel hub of FIG. 1 as viewed from an inboard end thereof; and,

FIG. 3 is a side elevational view of the wheel hub of FIG. 1.

**1 Claim, 2 Drawing Sheets**

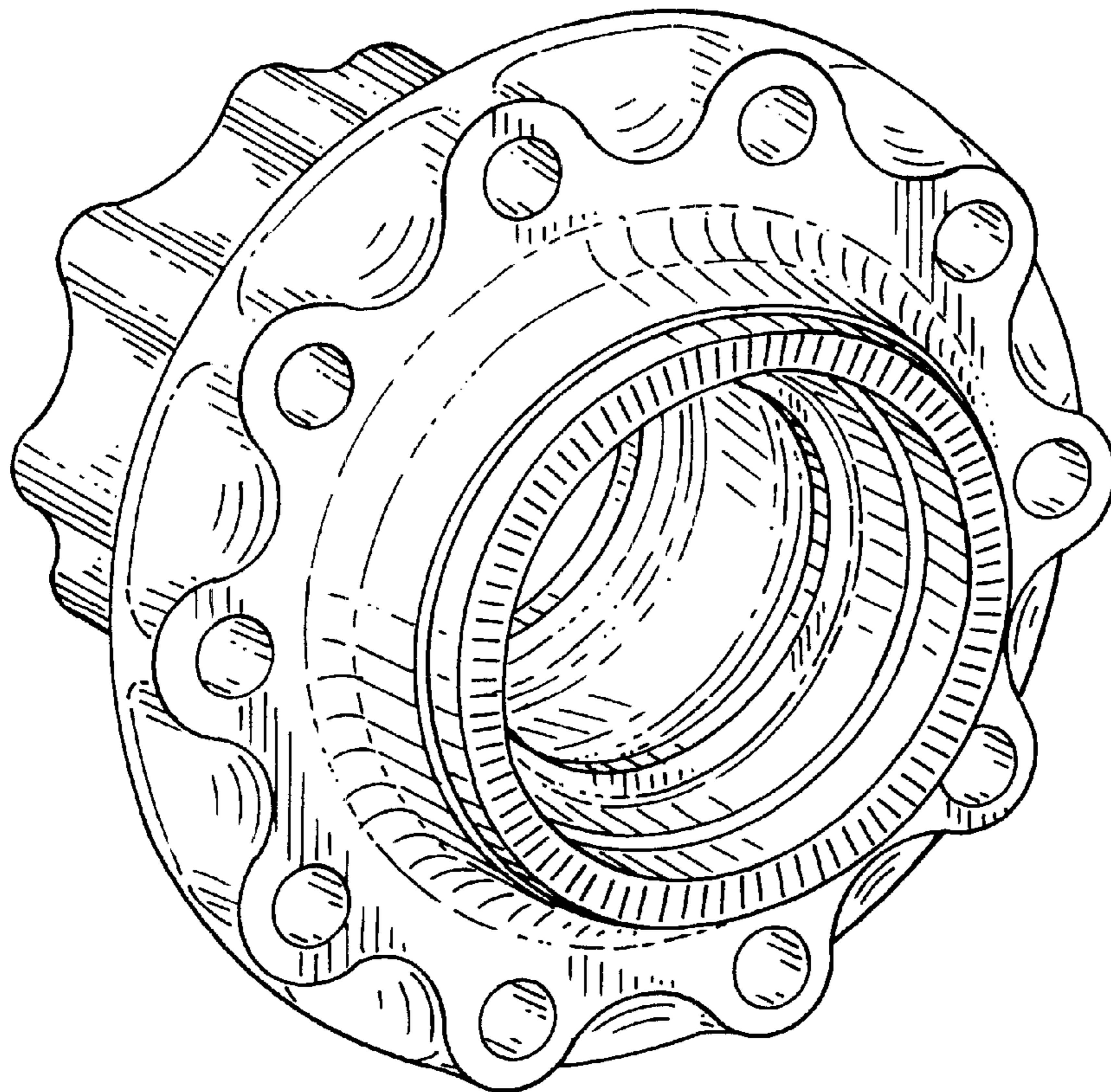


FIG. 1

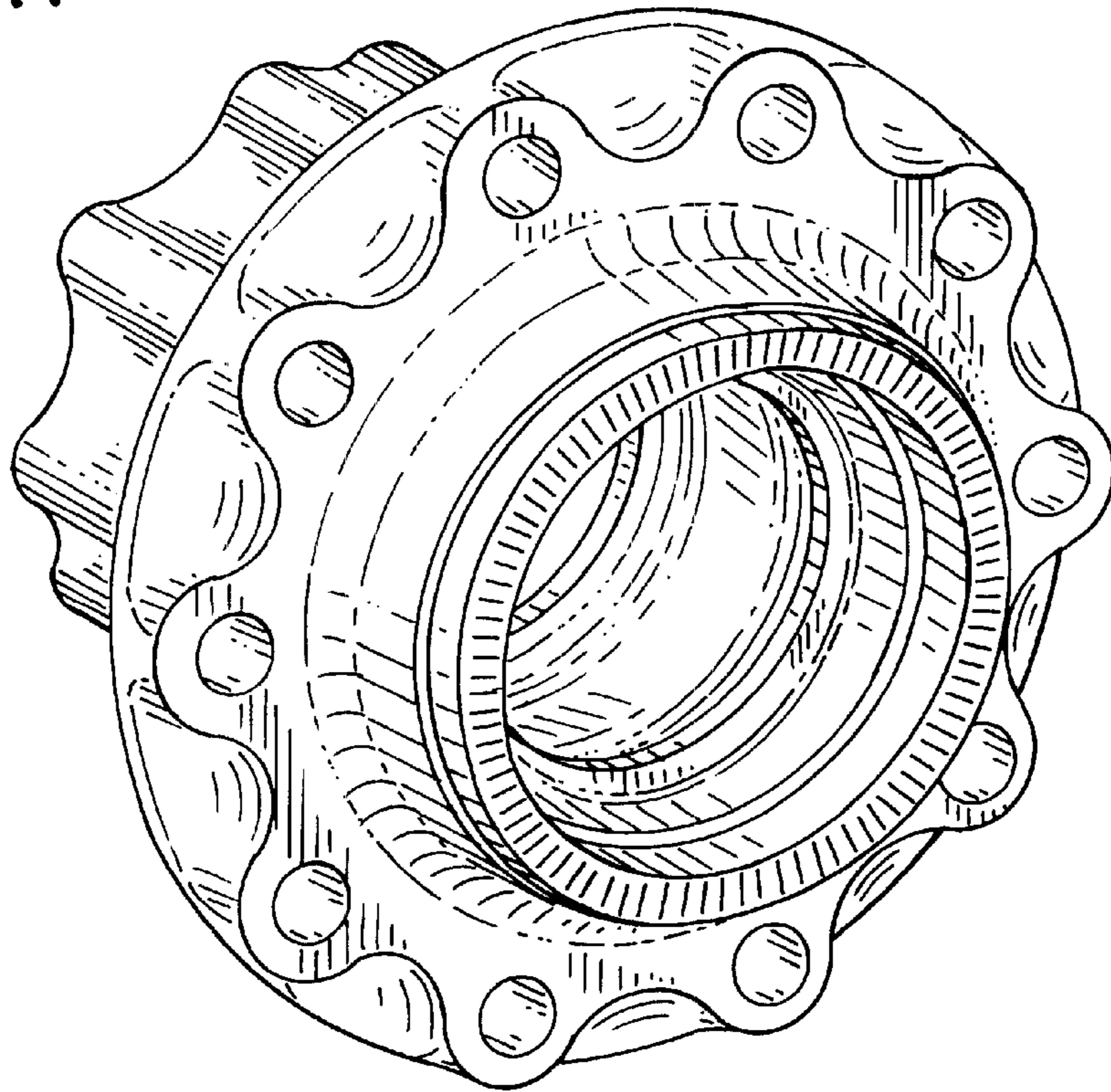


FIG. 2

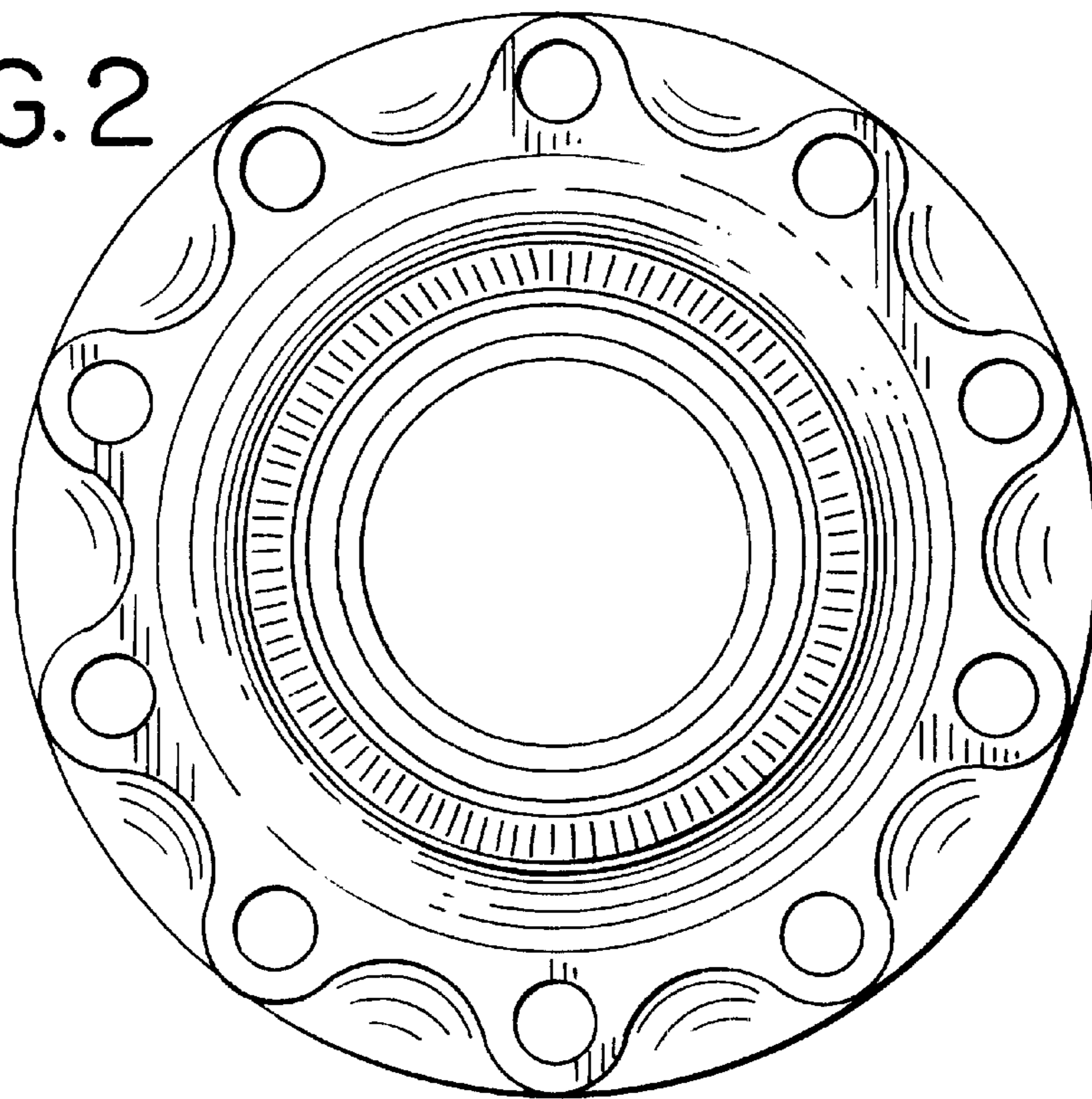


FIG. 3

