



US00D470444S

(12) **United States Design Patent**  
**Newport**

(10) **Patent No.:** **US D470,444 S**

(45) **Date of Patent:** **\*\* Feb. 18, 2003**

(54) **TRAILER HITCH BAR**

(75) **Inventor:** **Colin Newport, Ayr (CA)**

(73) **Assignee:** **Copperweld Canada Inc. (CA)**

(\*\*) **Term:** **14 Years**

(21) **Appl. No.:** **29/144,276**

(22) **Filed:** **Jun. 28, 2001**

(30) **Foreign Application Priority Data**

Dec. 28, 2000 (CA) ..... 2000-3388

(51) **LOC (7) Cl.** ..... **12-16**

(52) **U.S. Cl.** ..... **D12/162**

(58) **Field of Search** ..... D12/162, 400;  
280/402, 416.1, 416, 420, 423.1, 456.1,  
476.1, 507, 511, 504, 500-501, 493; 296/26.08

(56) **References Cited**

**U.S. PATENT DOCUMENTS**

- D195,068 S \* 4/1963 Griparis ..... D12/162
- D372,892 S \* 8/1996 McCoy et al. .... D12/162
- D373,557 S \* 9/1996 Shaw et al. .... D12/162
- D379,343 S \* 5/1997 Shaw et al. .... D12/162

- D384,924 S \* 10/1997 Hanson et al. .... D12/162
- D420,631 S \* 2/2000 Shaw et al. .... D12/162
- D424,990 S \* 5/2000 McCoy et al. .... D12/162
- D433,357 S \* 11/2000 McCoy et al. .... D12/162
- D434,708 S \* 12/2000 McCoy et al. .... D12/162
- D445,382 S \* 7/2001 Lindenman et al. .... D12/162
- D445,738 S \* 7/2001 Lindenman et al. .... D12/162
- D458,196 S \* 6/2002 McCoy et al. .... D12/162
- D462,037 S \* 8/2002 Pancheri et al. .... D12/162

\* cited by examiner

*Primary Examiner*—Stacia Cadmus

(74) *Attorney, Agent, or Firm*—Piper Rudnick

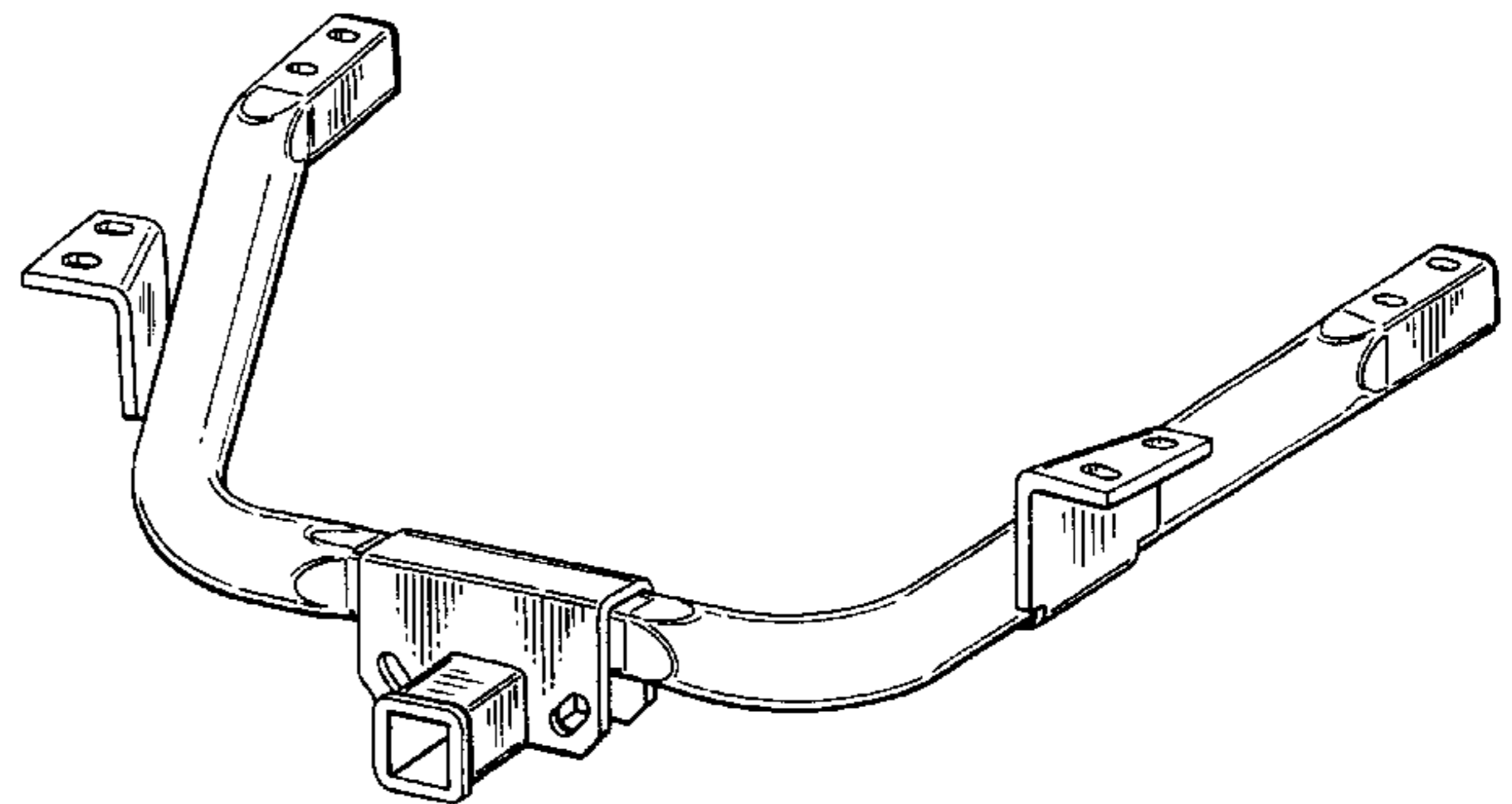
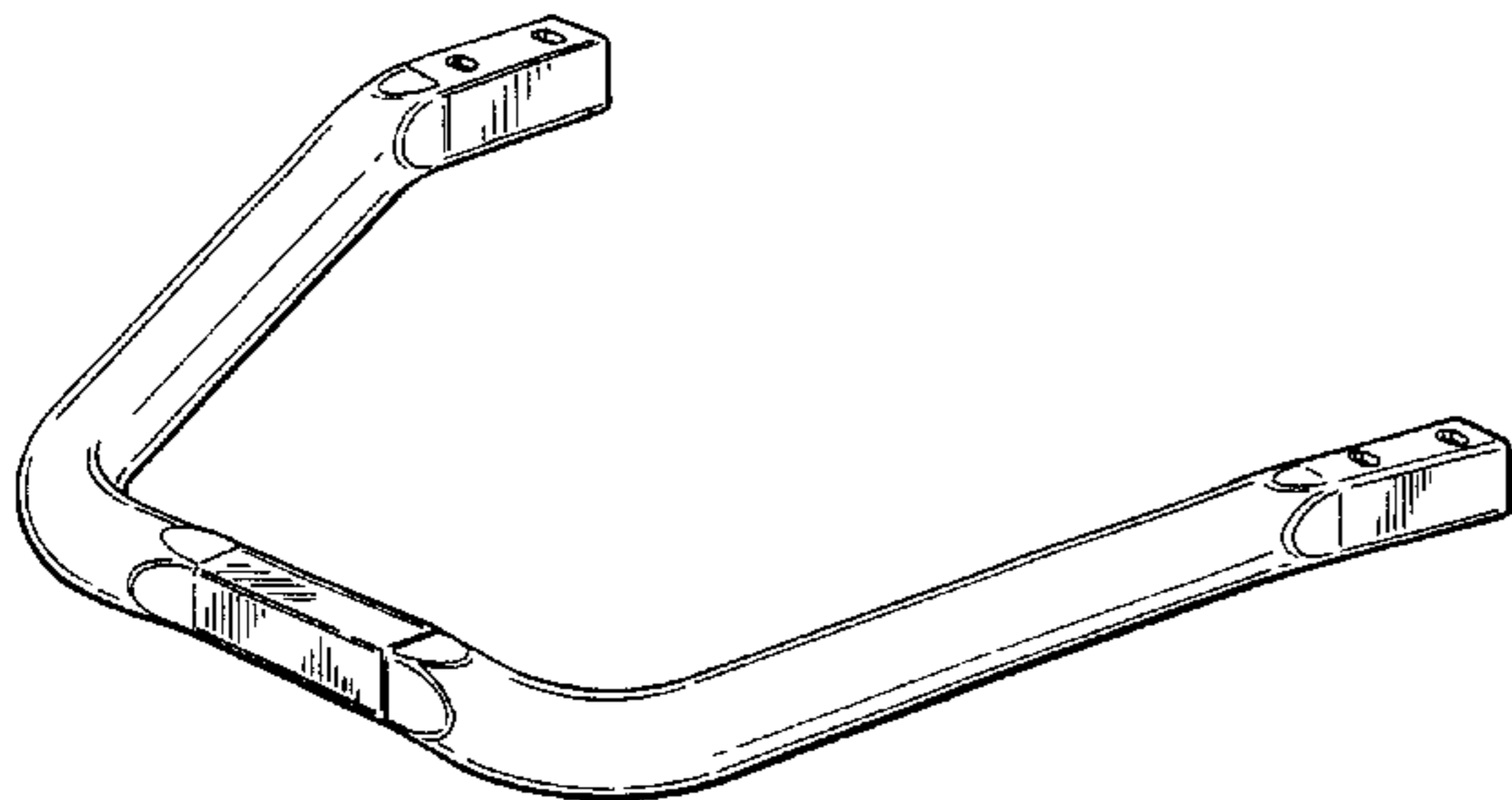
(57) **CLAIM**

The ornamental design for a trailer hitch bar, as shown and described.

**DESCRIPTION**

FIG. 1 is a perspective view of the trailer hitch bar; FIG. 2 is a top view of the trailer hitch bar; FIG. 3 is a front elevation of the trailer hitch bar; FIG. 4 is a side elevation of the trailer hitch bar; and, FIG. 5 is a perspective view of the trailer hitch bar of FIG. 1 with a hitch receiver tube attached.

**1 Claim, 2 Drawing Sheets**



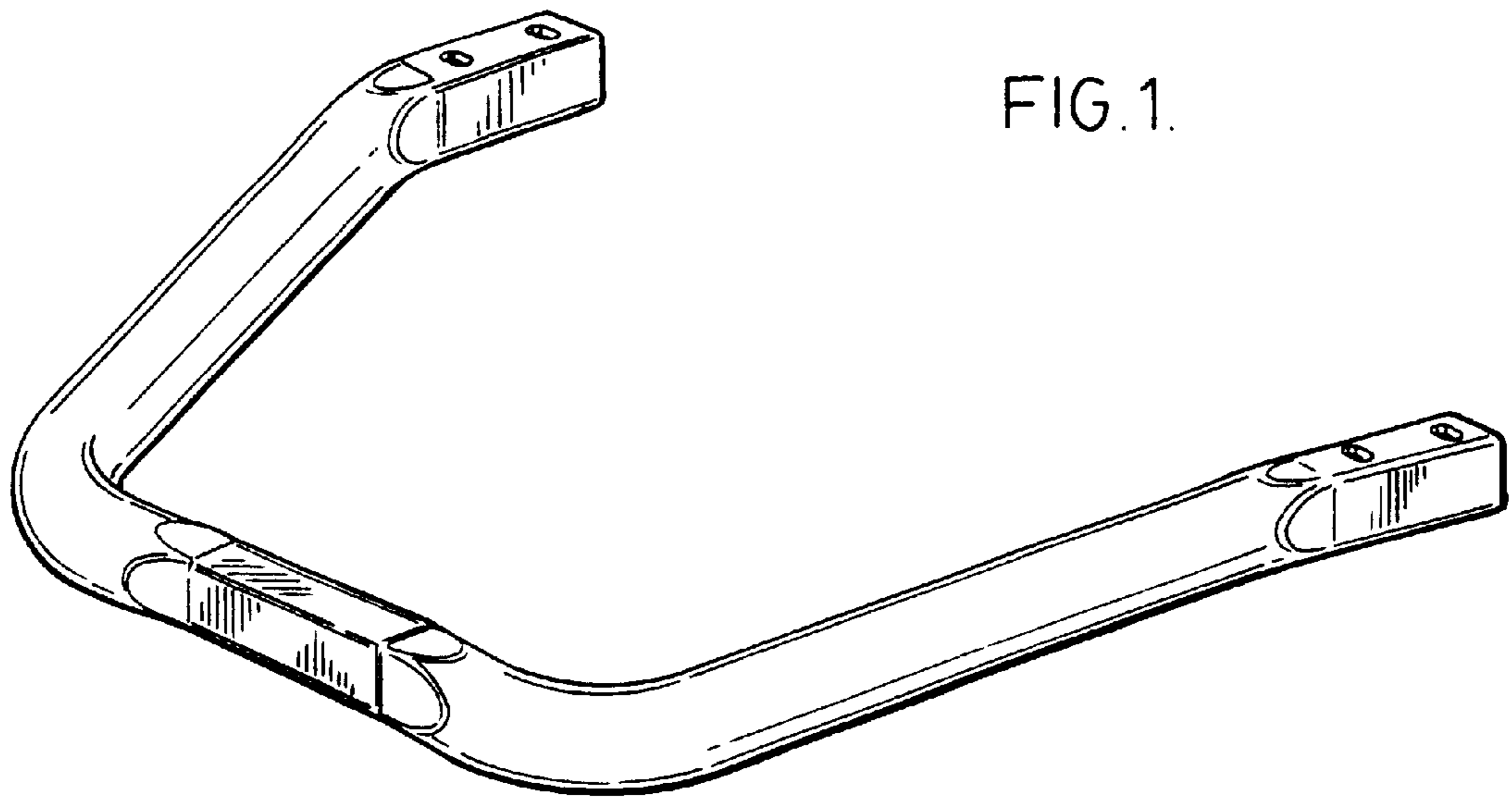


FIG. 1.

FIG. 2.

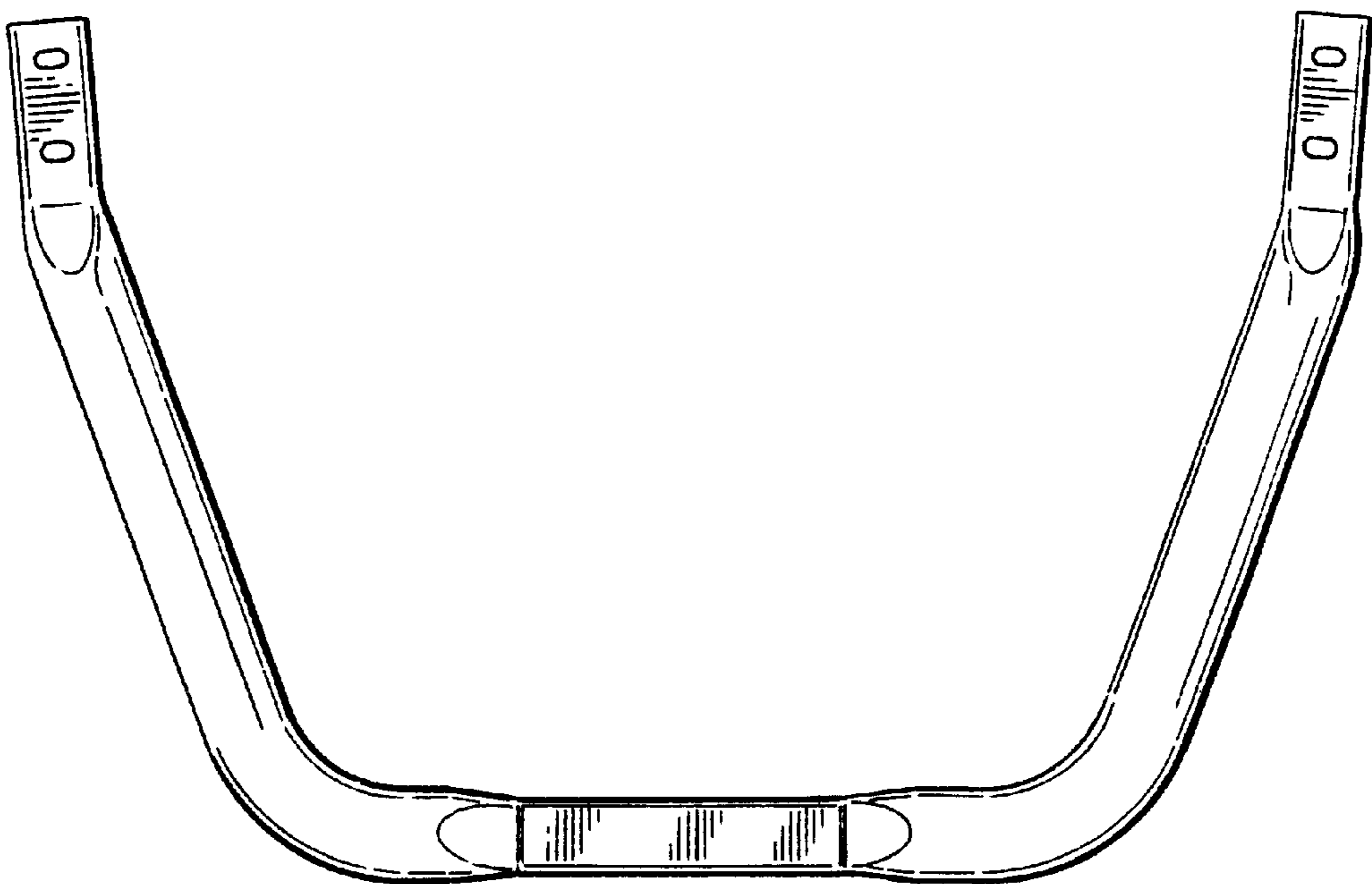


FIG. 3.

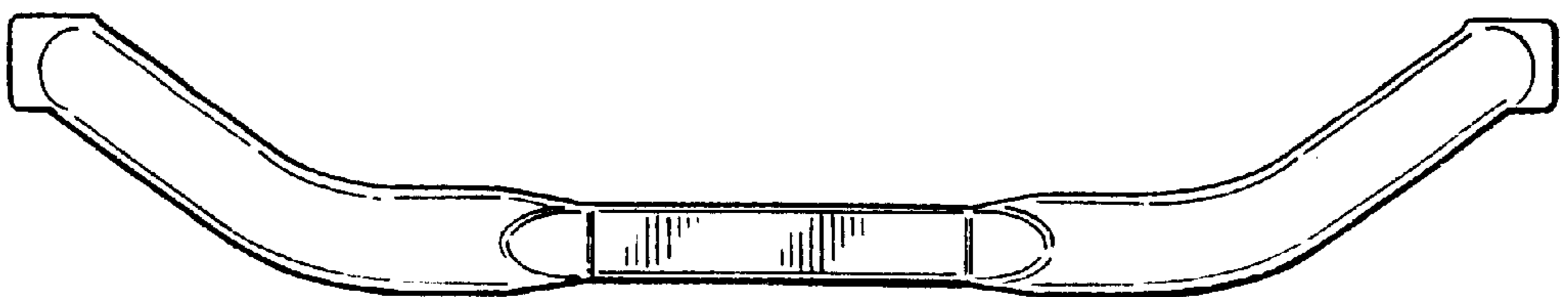


FIG. 4.

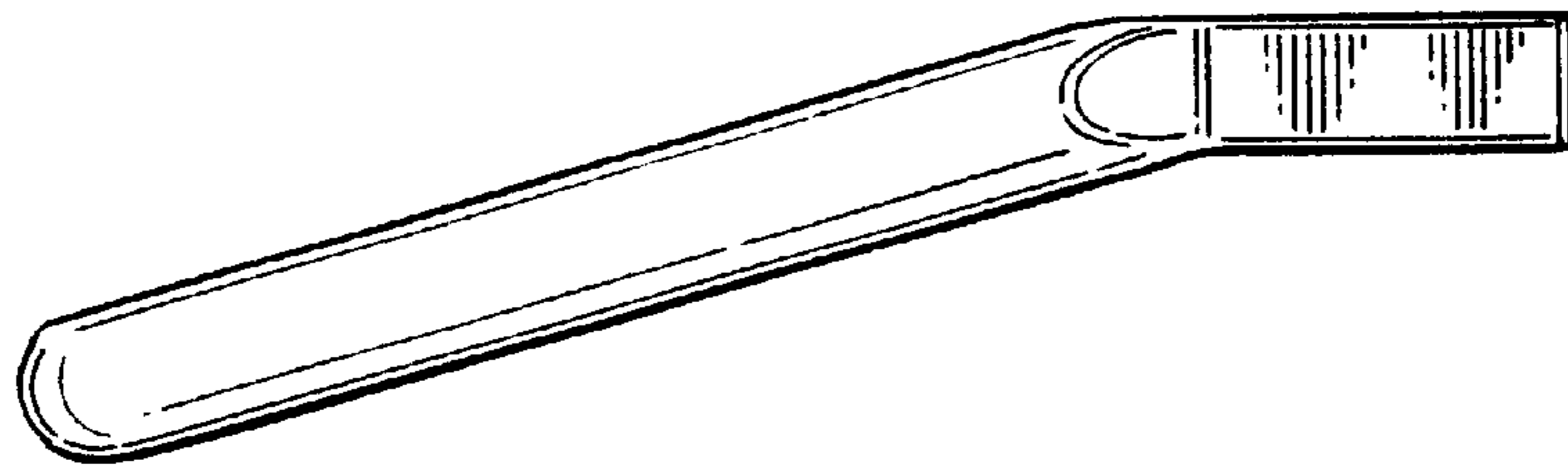


FIG. 5.

