



US00D470443S

(12) **United States Design Patent**
Slingluff et al.

(10) **Patent No.:** **US D470,443 S**

(45) **Date of Patent:** **** Feb. 18, 2003**

(54) **TIRE TREAD**

(75) Inventors: **Mark David Slingluff**, North Canton, OH (US); **Charles Kenneth Schmalix**, Canal Fulton, OH (US); **Adrian Thomas O'Neill**, Maumee, OH (US)

(73) Assignee: **The Goodyear Tire & Rubber Company**, Akron, OH (US)

(**) Term: **14 Years**

(21) Appl. No.: **29/131,465**

(22) Filed: **Oct. 23, 2000**

(51) **LOC (7) Cl.** **12-15**

(52) **U.S. Cl.** **D12/147**

(58) **Field of Search** D12/134-152;
152/209.1, 209.3, 209.8, 209.9, 209.11,
455, 456, 902, 903, 904

(56) **References Cited**

U.S. PATENT DOCUMENTS

D287,840 S	1/1987	Ono	D12/147
D287,841 S	1/1987	Ono	D12/147
D292,081 S	9/1987	Kuroda	D12/146
D298,115 S	10/1988	Kuroda	D12/146
D317,740 S	6/1991	Takehara	D12/146
D332,767 S	1/1993	Tsuda et al.	D12/147
D335,840 S	5/1993	Guspodin	D12/141
D336,066 S	6/1993	Guspodin	D12/141
D336,628 S	6/1993	Himuro et al.	D12/147
D343,375 S	1/1994	Himuro et al.	D12/147
D379,785 S	6/1997	Galante et al.	D12/146
D380,182 S	6/1997	Matsuda et al.	D12/146

D381,944 S	8/1997	Regallis et al.	D12/147
D384,609 S	10/1997	Gillard et al.	D12/146
D385,832 S	11/1997	Lim et al.	D12/146
D402,240 S	12/1998	Hubbell, Jr.	D12/146

OTHER PUBLICATIONS

Cooper Cobra Radial GTZ Tire, 1999 Tread Design Guide, Jan. 1999, p. 21. 2/1.*

Falken SN-813 Tire, 1999 Tread Design Guide, Jan. 1999, p. 29. 1/3.*

Kumho Power Prima II Tire, 1999 Tread Design Guide, Jan. 1999, p. 44. 1/5.*

* cited by examiner

Primary Examiner—Robert M. Spear

(74) *Attorney, Agent, or Firm*—David E. Wheeler

(57) **CLAIM**

The ornamental Design for a tire tread, as shown and described.

DESCRIPTION

FIG. 1 is a perspective view of a tire tread showing our new design, it being understood that the pattern repeats uniformly throughout the circumference of the tread;

FIG. 2 is a front elevational view thereof;

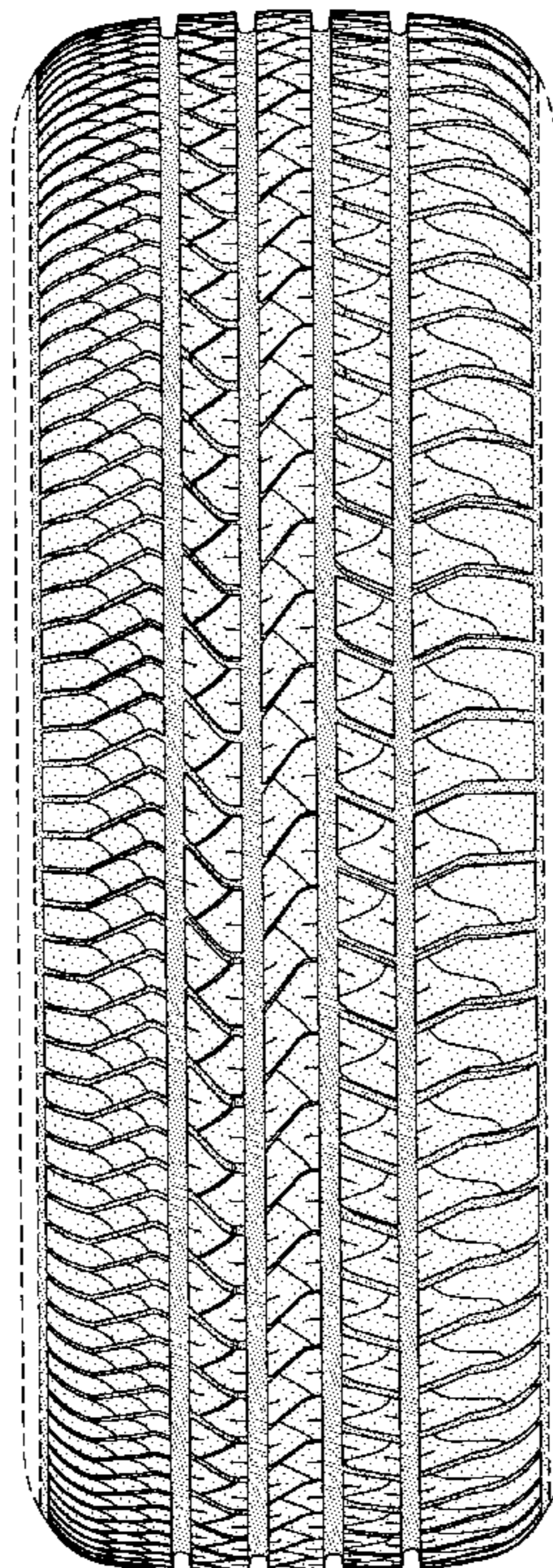
FIG. 3 is a side elevational view thereof,

FIG. 4 is the opposite side elevational view; and,

FIG. 5 is an enlarged fragmentary perspective view.

In the drawings, the broken lines defining the inner bead of the sidewall and the peripheral boundary between the tire tread and the sidewall are for illustrative purposes only and form no part of the claimed design.

1 Claim, 5 Drawing Sheets



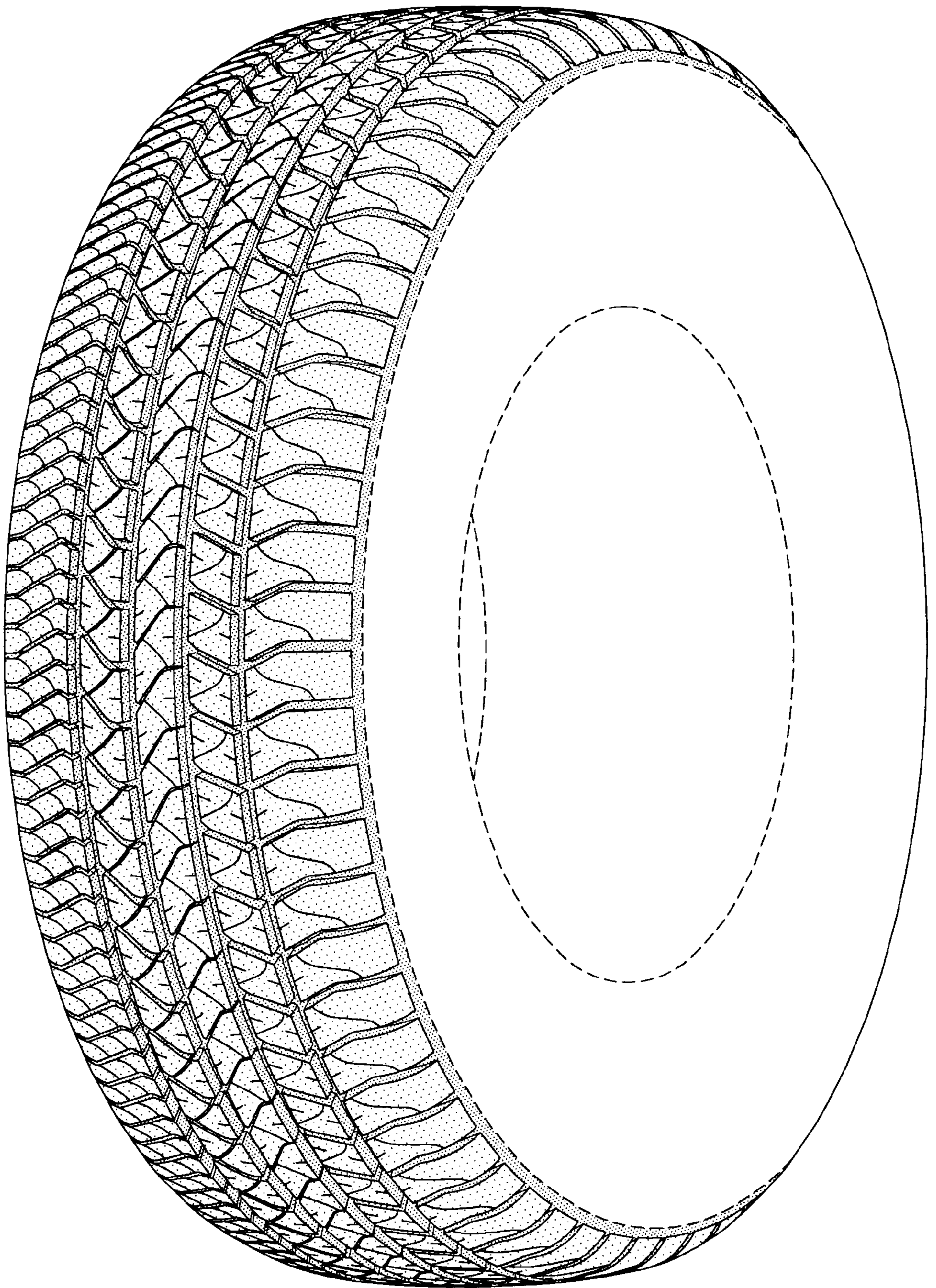


FIG-1

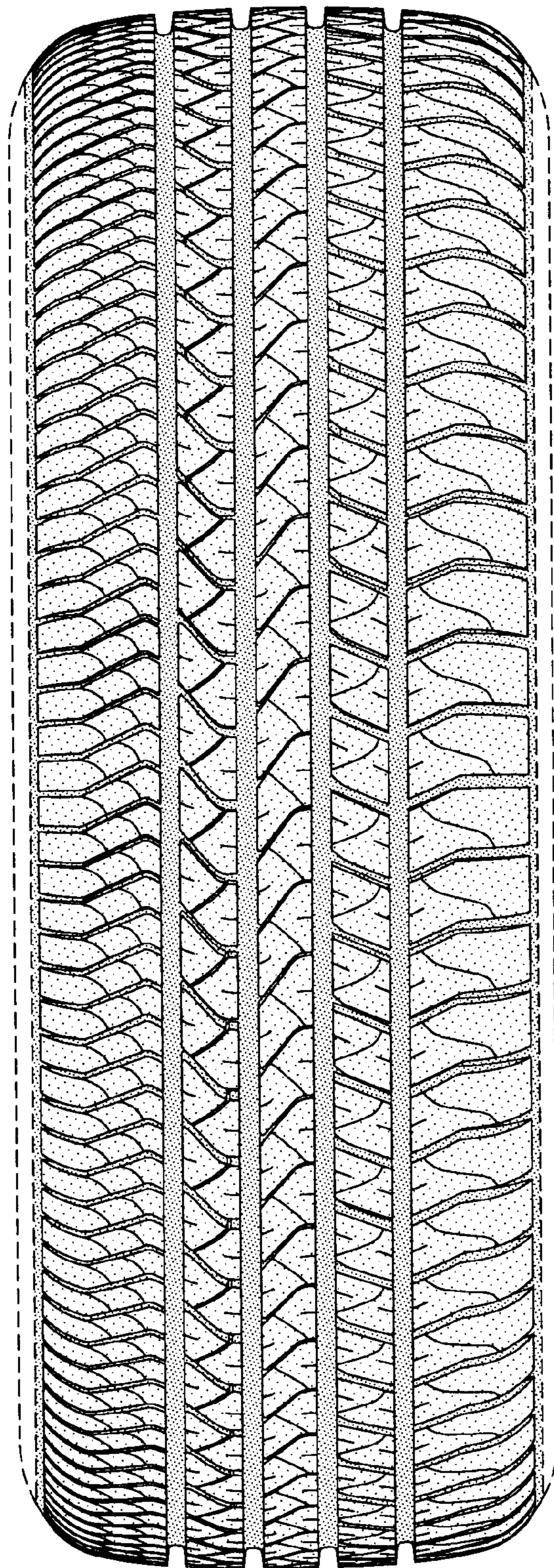


FIG-2

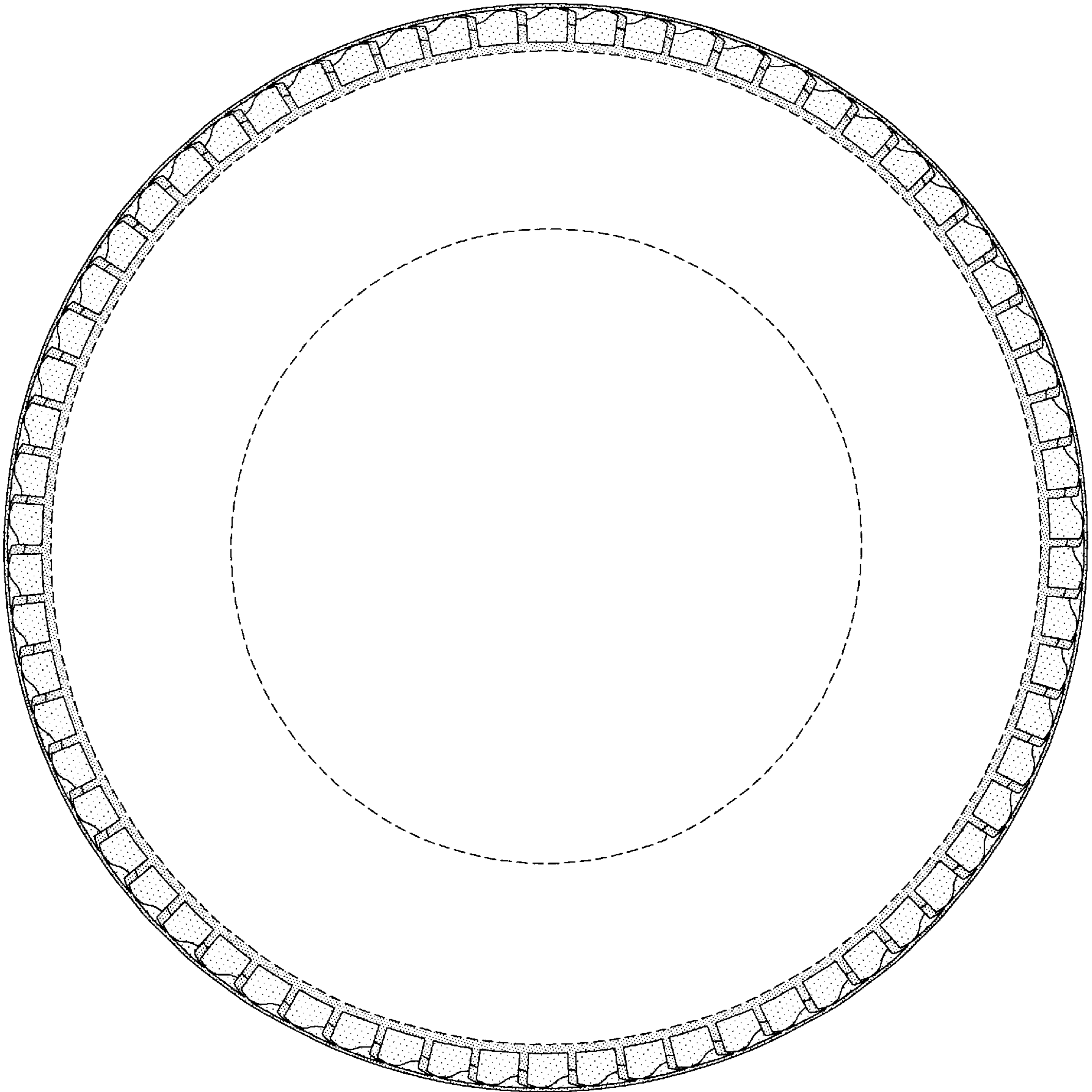


FIG-3

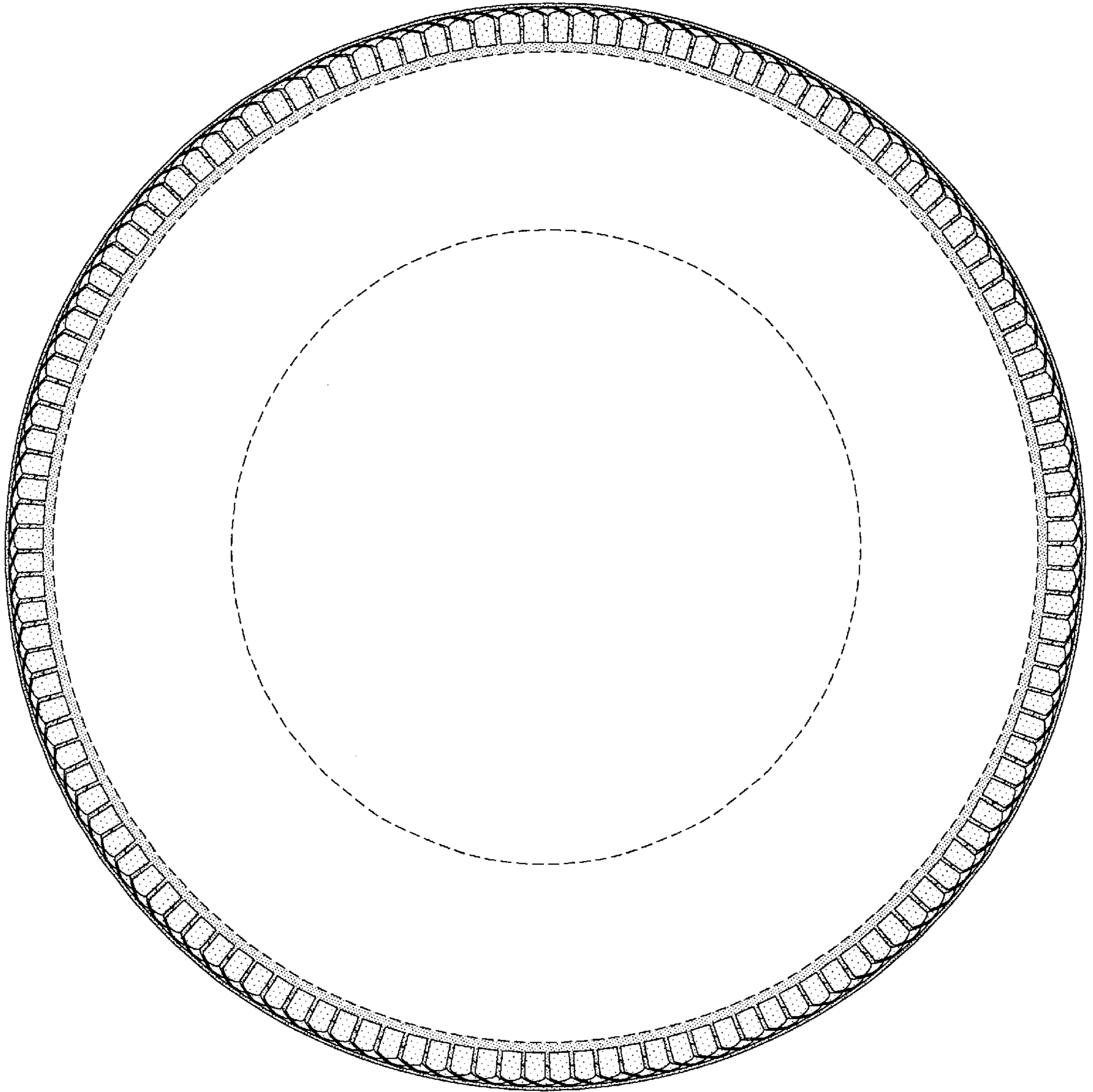


FIG-4

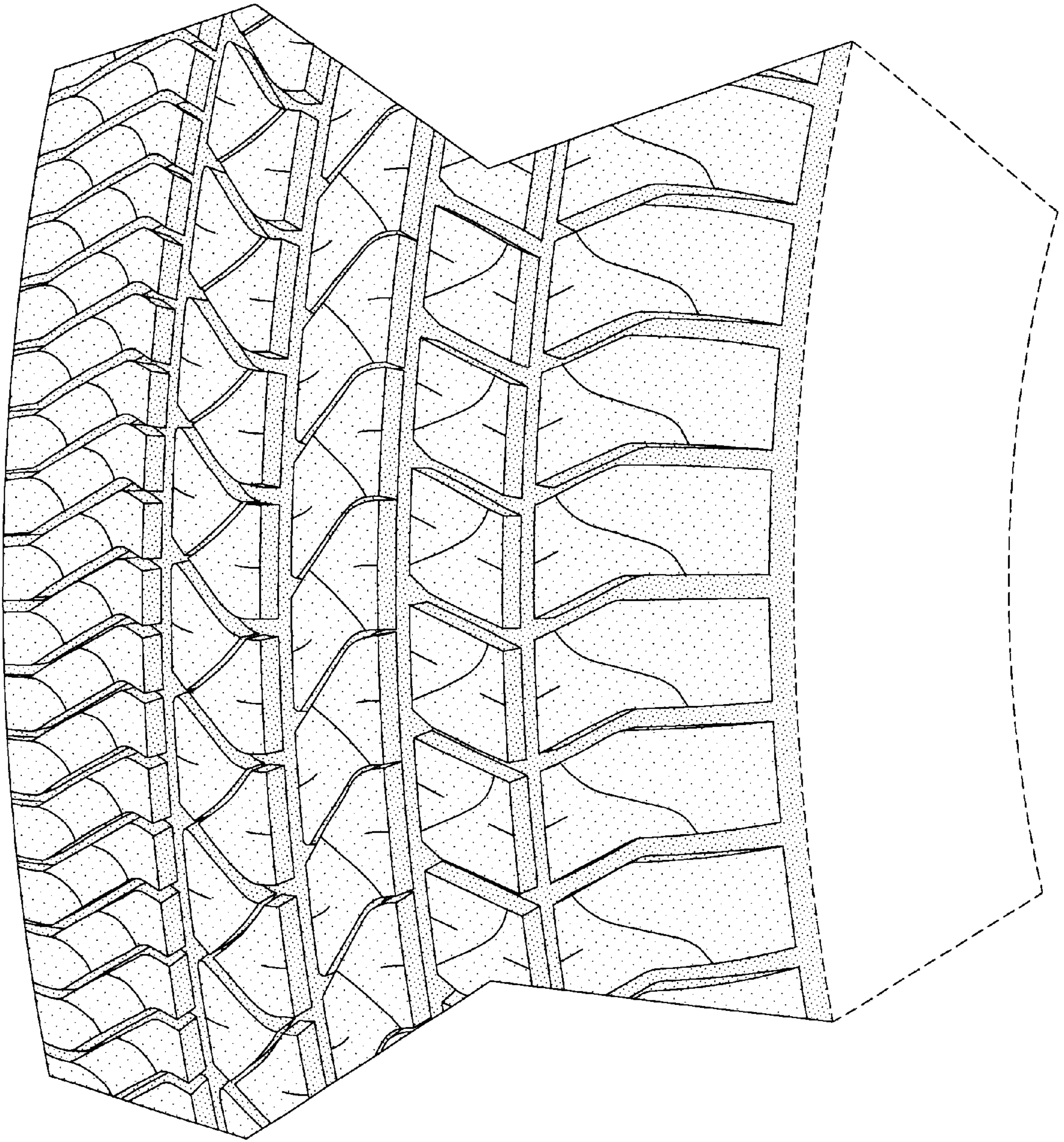


FIG-5