



US00D470442S

(12) **United States Design Patent**
Koppes et al.

(10) **Patent No.:** **US D470,442 S**

(45) **Date of Patent:** **** Feb. 18, 2003**

(54) **SEAT BACK**

(75) Inventors: **Dana J. Koppes**, Columbus, OH (US);
Eric J. Fickas, Powell, OH (US);
Rodger Hays, Columbus, OH (US);
Paul P. Kolada, Bexley, OH (US);
Thomas P. Martini, Gahanna, OH
(US); **Kevin J. Vititoe**, Columbus, OH
(US)

(73) Assignee: **Ohio Steel Industries**, Columbus, OH
(US)

(**) Term: **14 Years**

(21) Appl. No.: **29/127,691**

(22) Filed: **Aug. 10, 2000**

(51) **LOC (7) Cl.** **12-12**

(52) **U.S. Cl.** **D12/133**

(58) **Field of Search** **D12/128-133;**
297/DIG. 4, 252, 337, 338, 344.1, 440

(56) **References Cited**

U.S. PATENT DOCUMENTS

2,429,034 A	10/1947	Smith et al.	280/41
D148,128 S	12/1947	Brottman	D14/3
2,443,236 A	6/1948	Gallagher	280/50
2,615,726 A	10/1952	Brottman	280/47
2,683,480 A	7/1954	Kosman	155/22
2,769,482 A	11/1956	Carlson	155/10
3,497,234 A	2/1970	Schray	280/33.99
3,612,603 A	10/1971	Snyder et al.	297/130
3,726,536 A	4/1973	Ariño	280/36 C
4,403,807 A	9/1983	Wilkinson et al.	297/217
4,555,123 A	11/1985	Rehrig	280/160
4,598,945 A	7/1986	Hopkins	280/250
4,685,688 A	8/1987	Edwards	280/30
4,763,919 A	8/1988	Nakao et al.	280/644
4,861,105 A	8/1989	Merten et al.	297/250
4,877,289 A	10/1989	Herrera	297/250
4,923,208 A	5/1990	Takahashi et al.	280/642
4,953,887 A	9/1990	Takahashi et al.	280/647
4,958,887 A	9/1990	Meeker	297/250
4,984,813 A	1/1991	Takahashi et al.	280/30

5,018,754 A	5/1991	Cheng	280/47.4
D318,550 S	7/1991	Stefano	D34/21
5,125,674 A	6/1992	Manuszak	280/30
5,277,473 A	1/1994	Kelly et al.	297/250.1
5,290,049 A	3/1994	Crisp et al.	280/30
5,354,079 A	10/1994	Hettenbach	280/33.991
5,417,449 A	5/1995	Shamie	280/642
D360,392 S	7/1995	Lewandowski	D12/129
D363,589 S	10/1995	Lafleur et al.	D34/21
D366,546 S	1/1996	Schaub et al.	D34/20
5,544,904 A	8/1996	Maher	280/47.35
5,553,877 A	9/1996	Huang	280/33.997
D377,255 S	1/1997	Rehrig	D34/27
5,595,394 A	1/1997	Adamson	280/33.993
D386,873 S	11/1997	Langlois D'Estaintot et al.	D34/21
5,722,594 A	3/1998	Farr et al.	280/643
D405,033 S	* 2/1999	Ziegnell	D12/131
5,887,888 A	3/1999	Tseng	280/644
5,961,133 A	10/1999	Perry	280/33.993
5,988,670 A	11/1999	Song et al.	280/648

* cited by examiner

Primary Examiner—Marcus A. Jackson

(74) *Attorney, Agent, or Firm*—Michael Best & Friedrich LLP

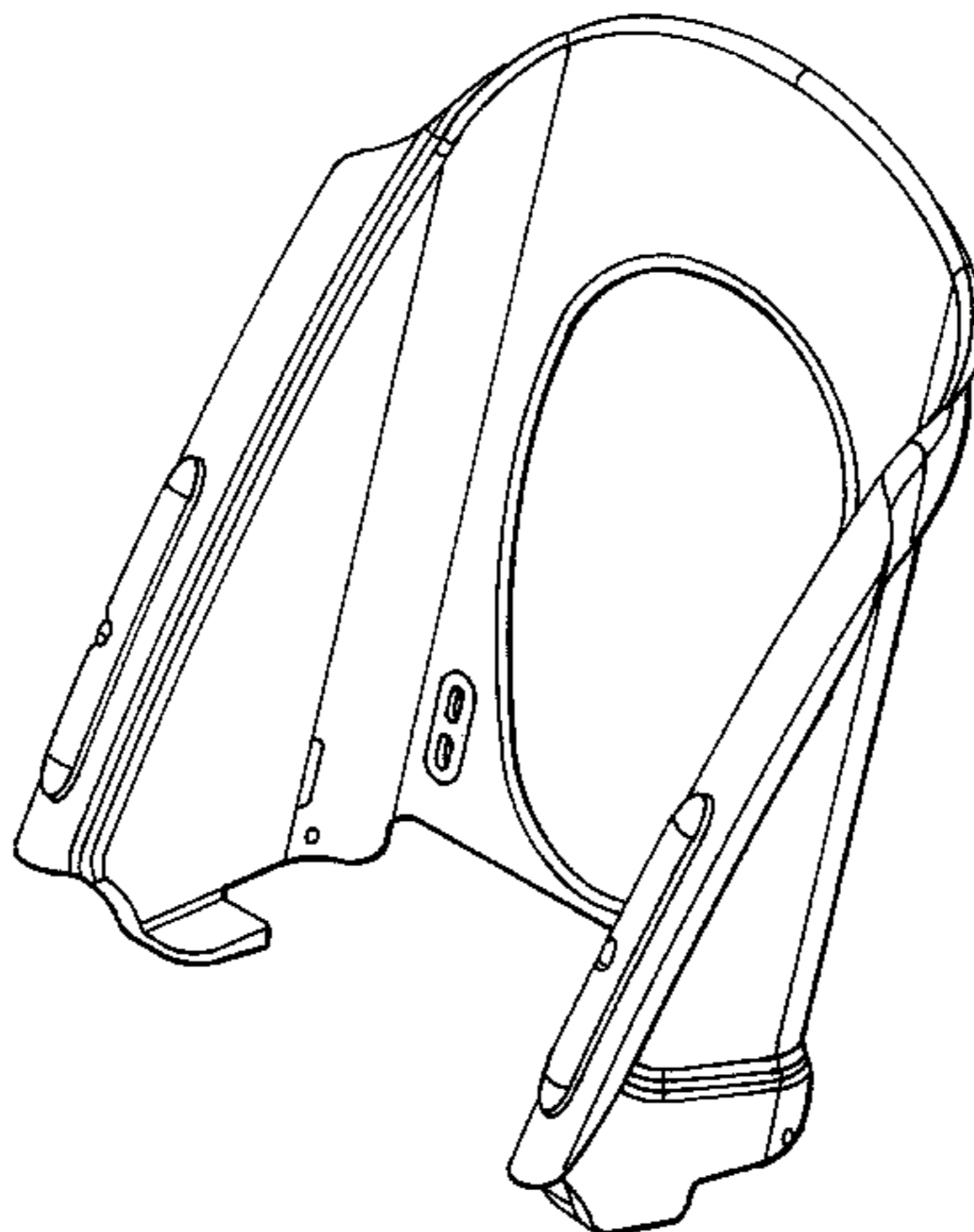
(57) **CLAIM**

The ornamental design for a seat back, as shown and described.

DESCRIPTION

FIG. 1 is a perspective view of a seat back in accordance with the teachings of the present invention;
FIG. 2 is a left side elevational view thereof, the right side elevational view being the mirror image of that shown;
FIG. 3 is a front side elevational view thereof;
FIG. 4 is a rear side elevational thereof;
FIG. 5 is a top plan view thereof; and,
FIG. 6 is a perspective view of the device of FIGS. 1 through 5 shown attached to a wheeled device shown in broken lines and which forms no part of the claimed design.

1 Claim, 4 Drawing Sheets



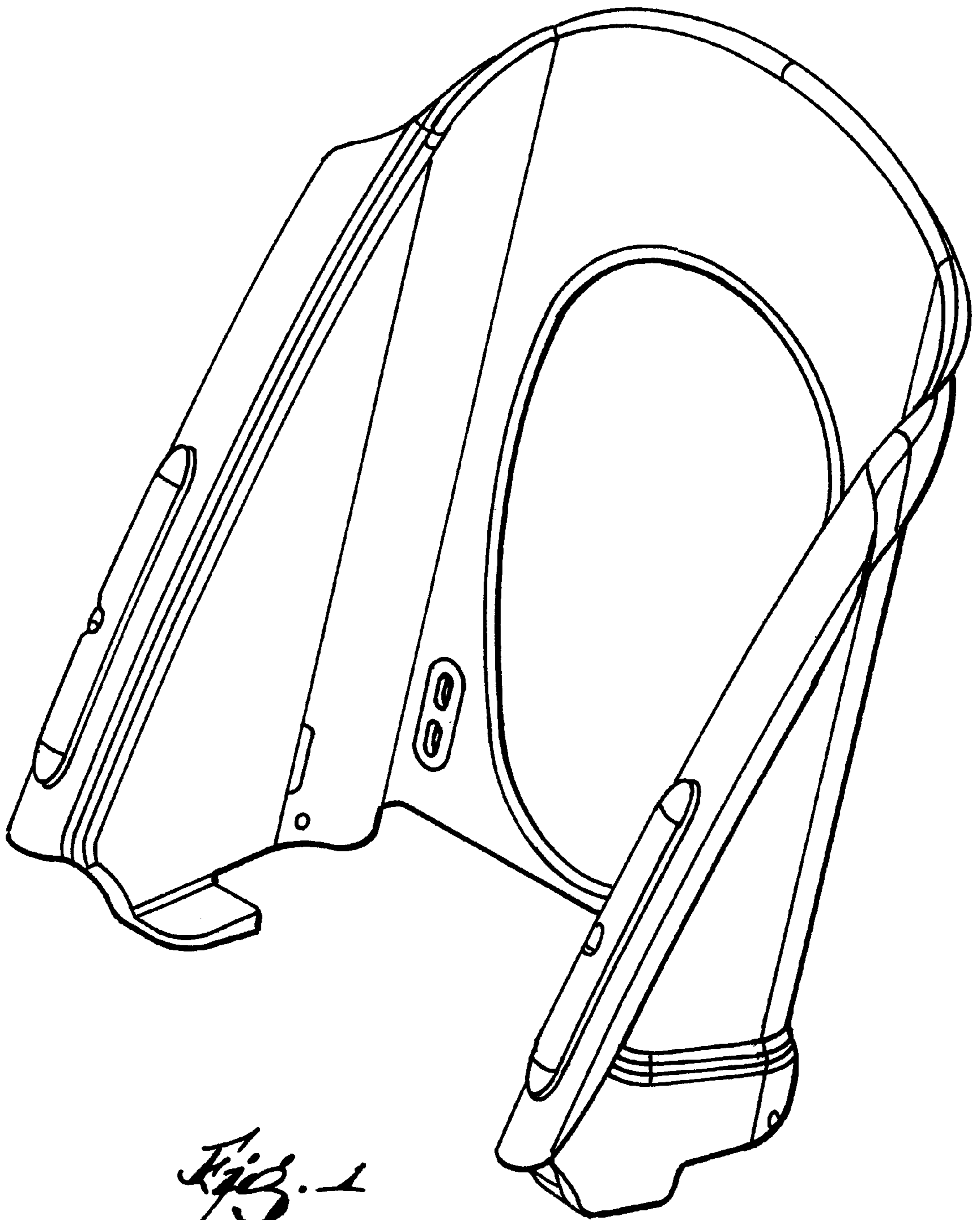


Fig. 1

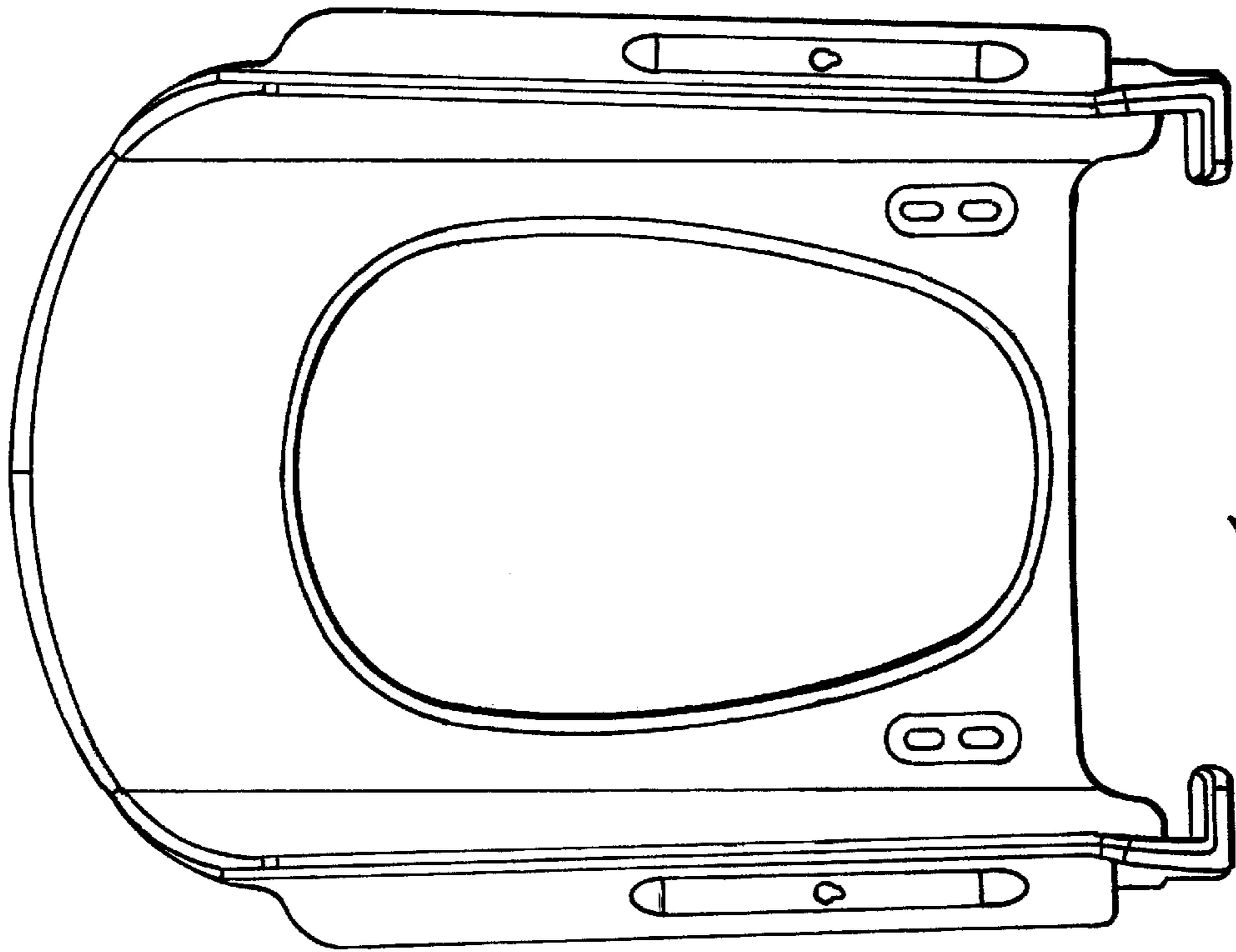


Fig. 3

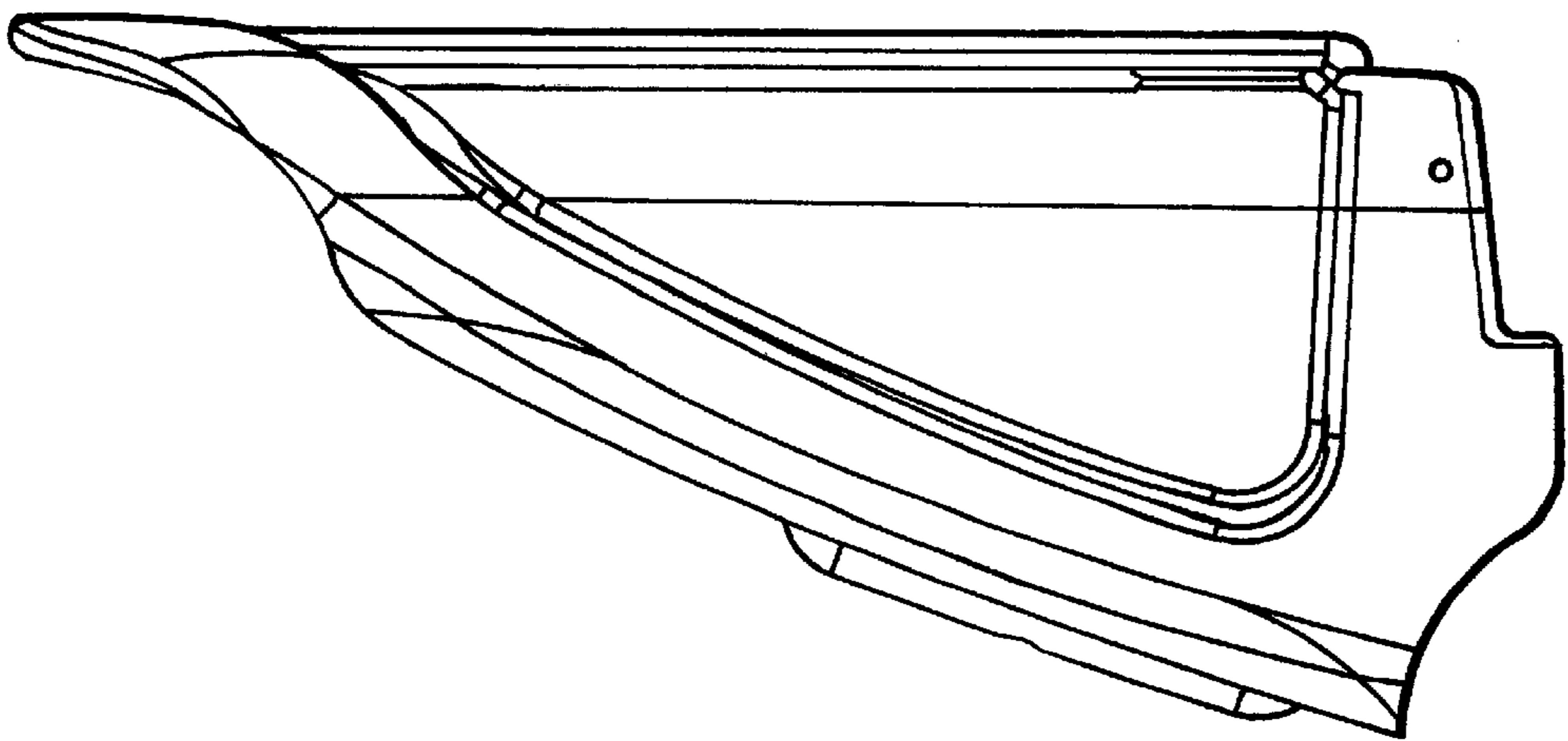


Fig. 2

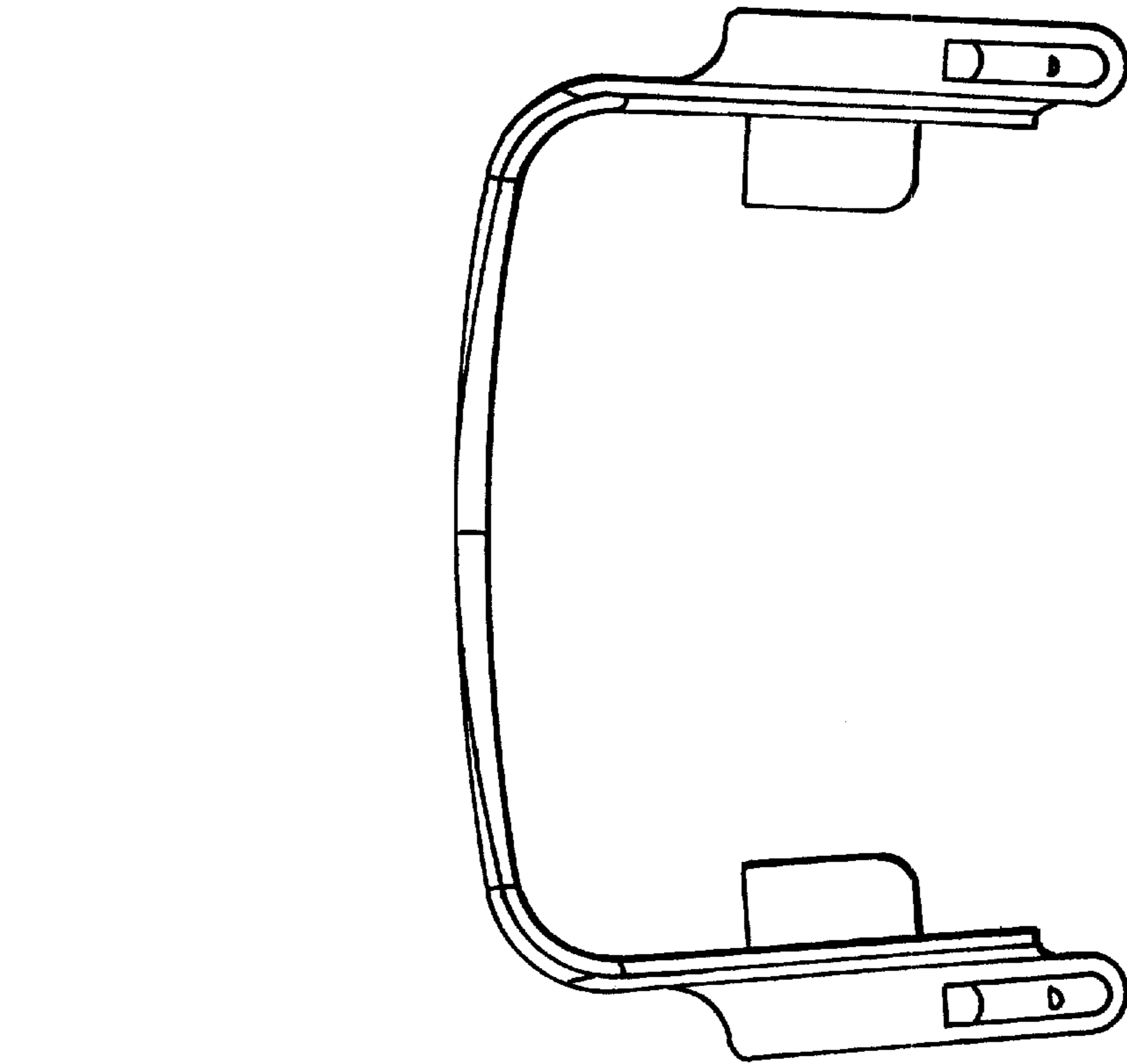


FIG. 5

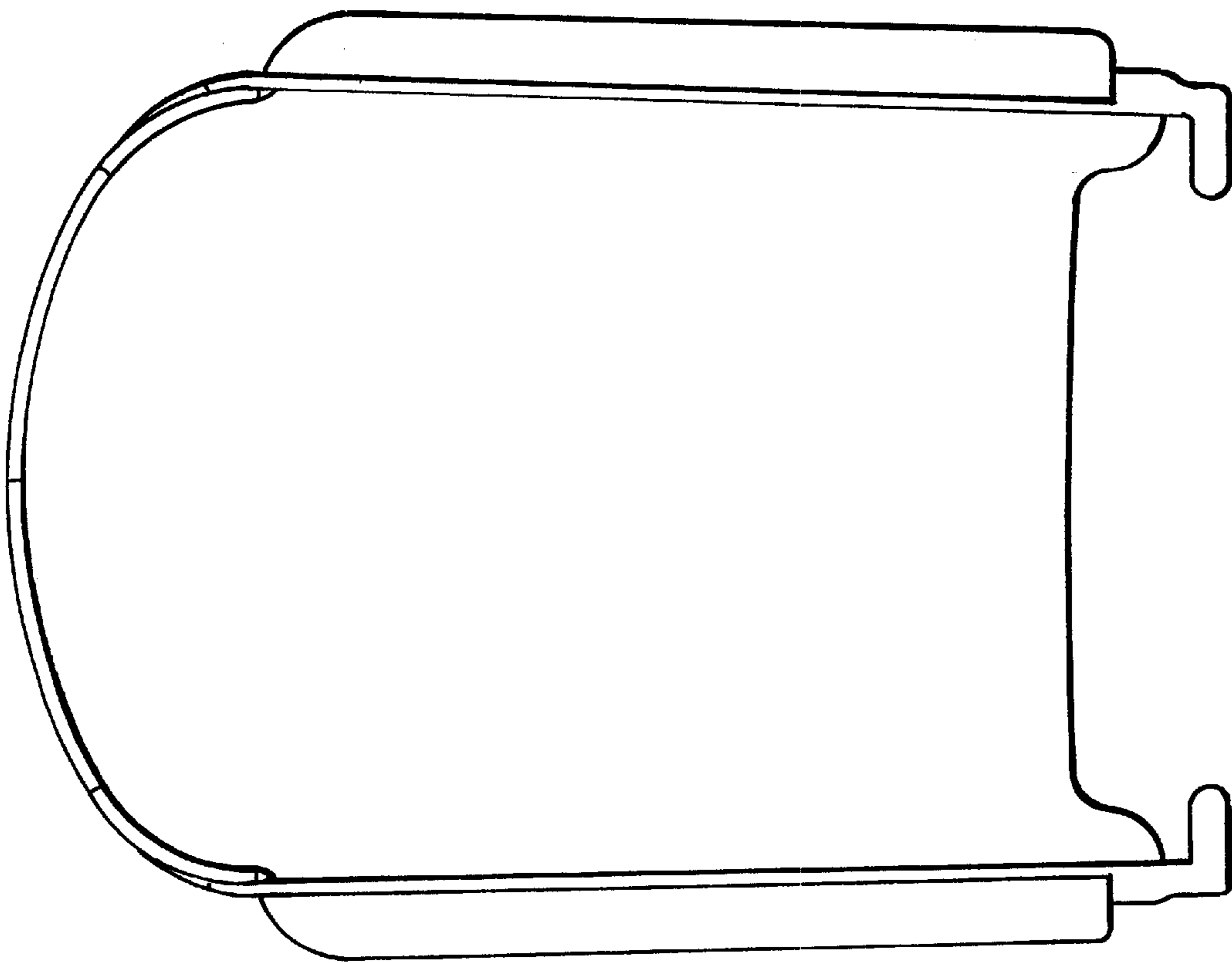


FIG. 4

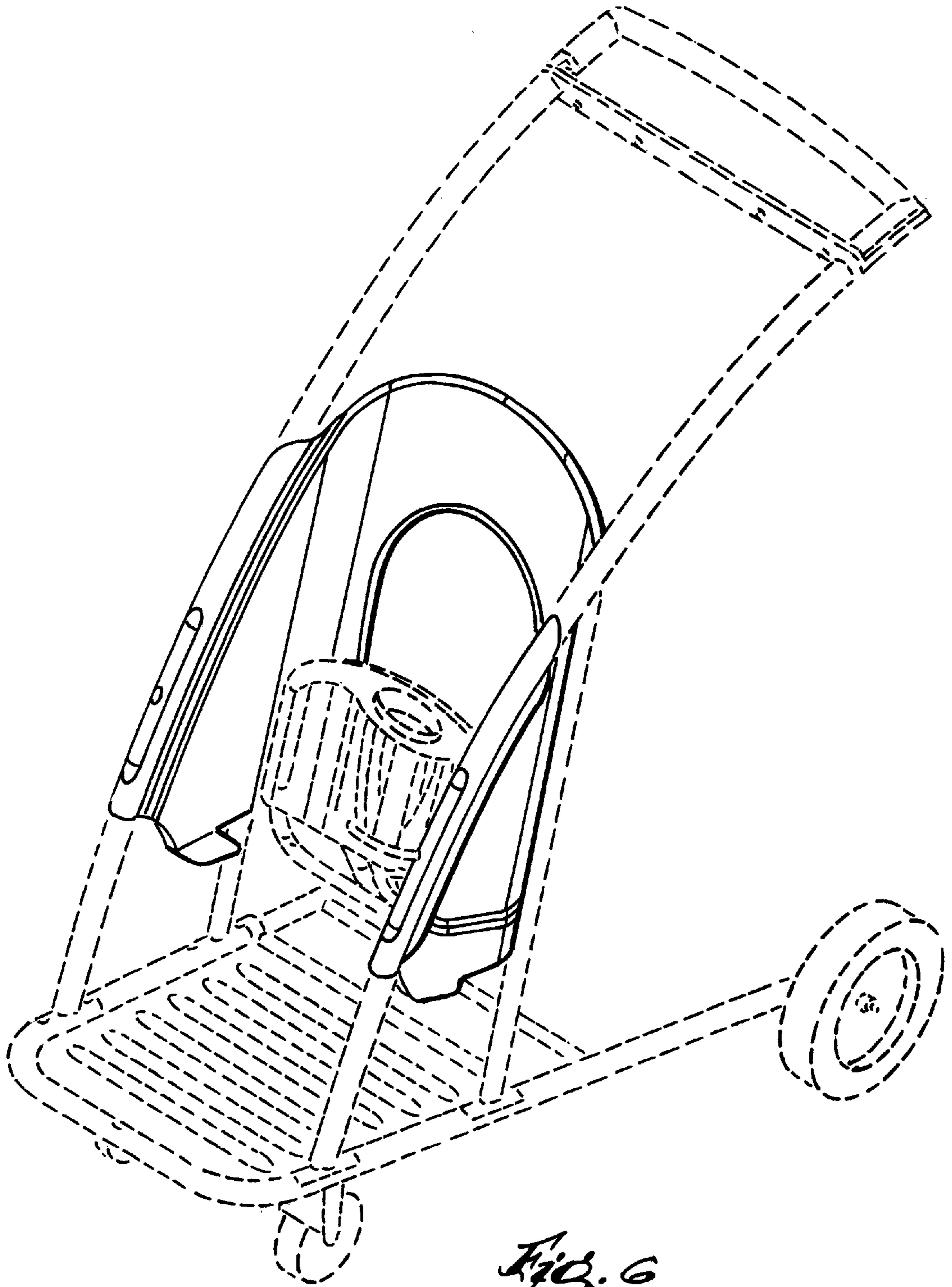


Fig. 6