



US00D470441S

(12) **United States Design Patent**
Su-Jung

(10) **Patent No.:** **US D470,441 S**

(45) **Date of Patent:** **** Feb. 18, 2003**

(54) **CHAIN COVER FOR BIKE**

Primary Examiner—Alan P. Douglas
Assistant Examiner—Linda Brooks

(76) **Inventor:** **Fon Su-Jung**, P.O. Box 24-108, Taipei (TW)

(57) **CLAIM**

(**) **Term:** **14 Years**

The ornamental design for a chain cover for bike, as shown and described.

(21) **Appl. No.:** **29/154,462**

(22) **Filed:** **Jan. 25, 2002**

DESCRIPTION

(51) **LOC (7) Cl.** **12-11**

FIG. 1 is a perspective view of a chain cover for bike showing my new design;

(52) **U.S. Cl.** **D12/127**

FIG. 2 is a front elevational view thereof;

(58) **Field of Search** D12/111, 114, D12/126, 127; 74/608, 609; 280/288.4, 304.3, 152.2; 474/144-147; 301/121, 137

FIG. 3 is a rear elevational view thereof;

FIG. 4 is a left side elevational view thereof;

(56) **References Cited**

U.S. PATENT DOCUMENTS

FIG. 5 is a right side elevational view thereof;

FIG. 6 is a top plan view thereof; and,

FIG. 7 is a bottom plan view thereof.

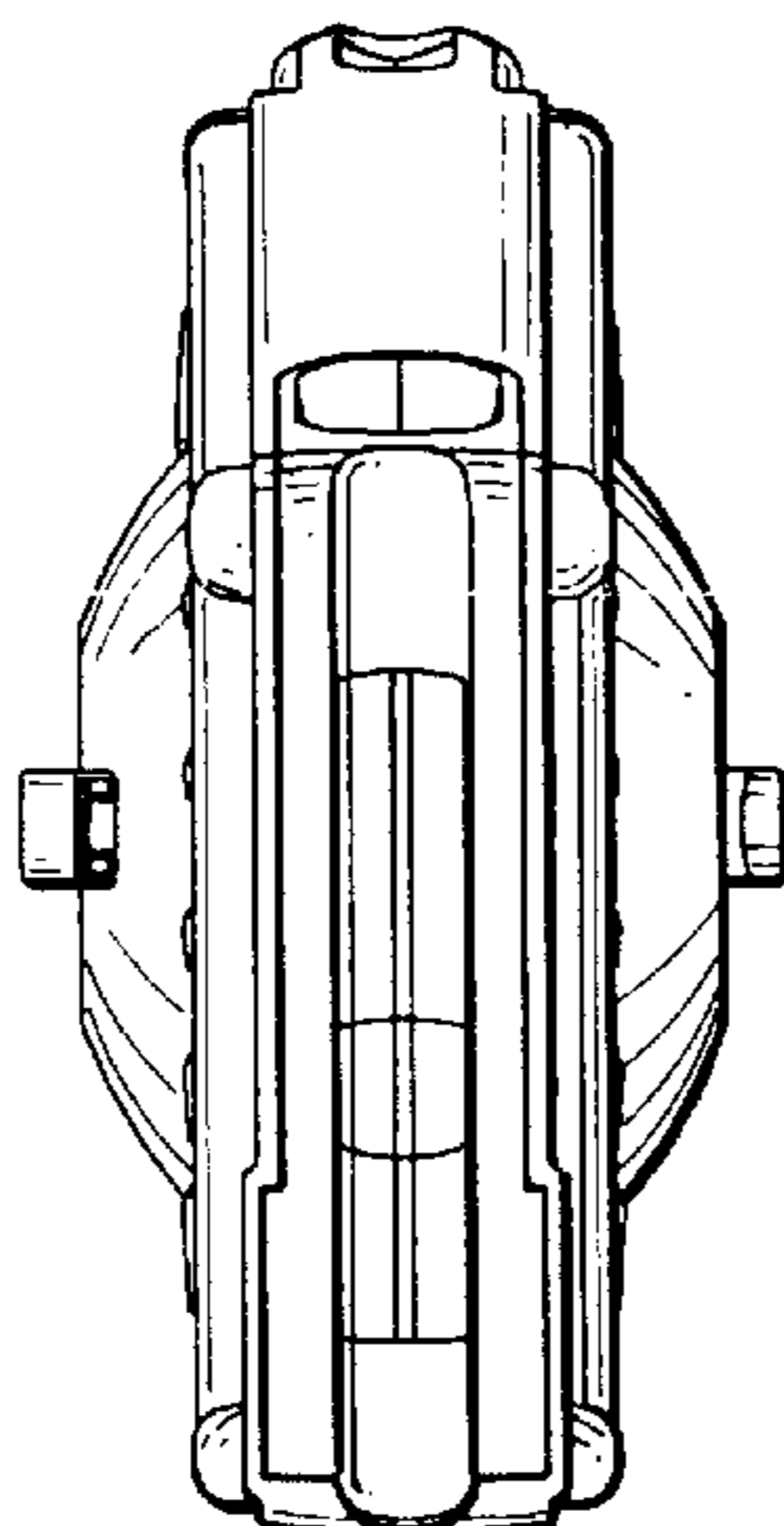
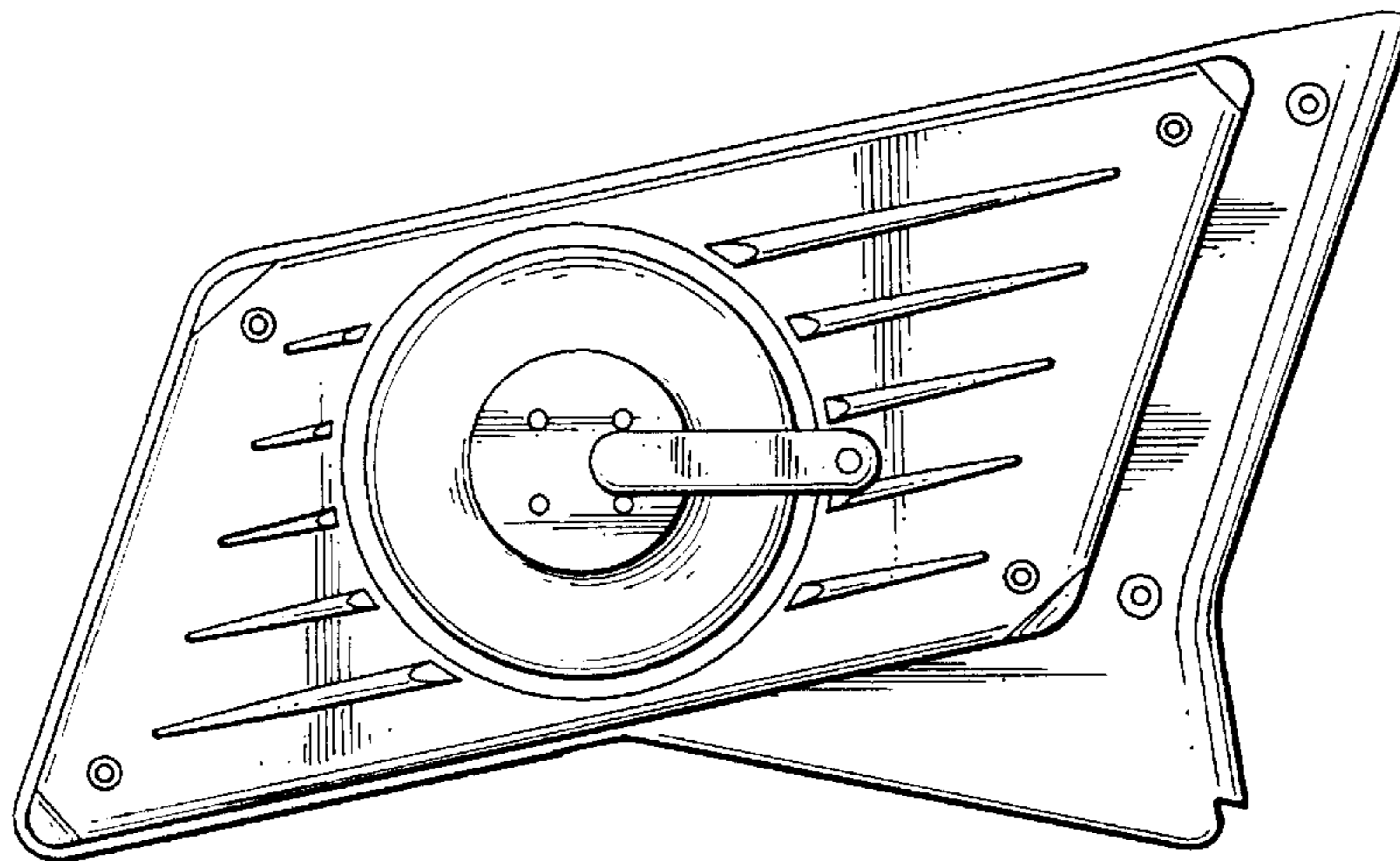
D113,716 S * 3/1939 Morgan D12/127

D364,836 S * 12/1995 Schlangen et al. 74/609

6,186,919 B1 * 2/2001 Chen 474/146

* cited by examiner

1 Claim, 3 Drawing Sheets



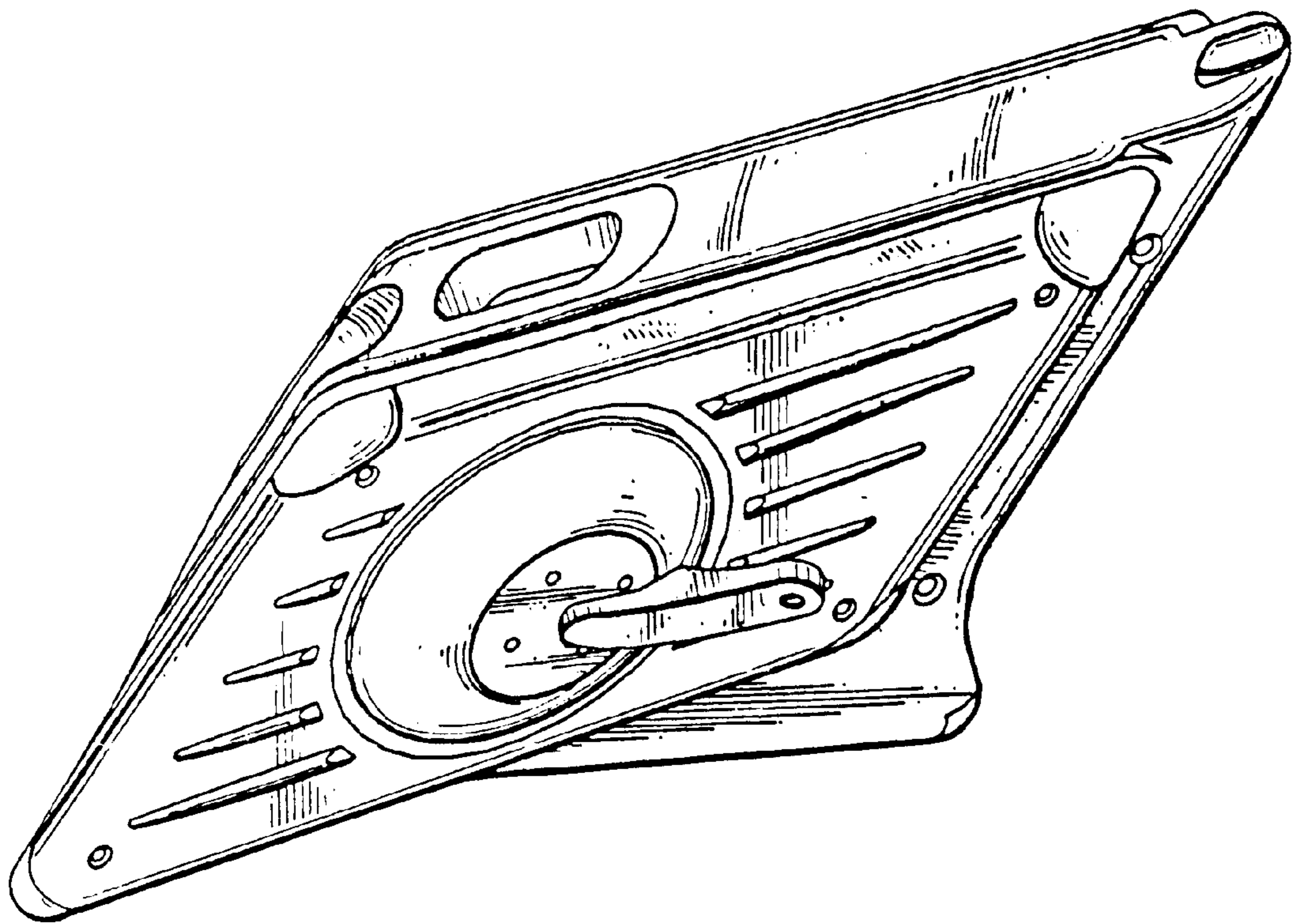


FIG. 1

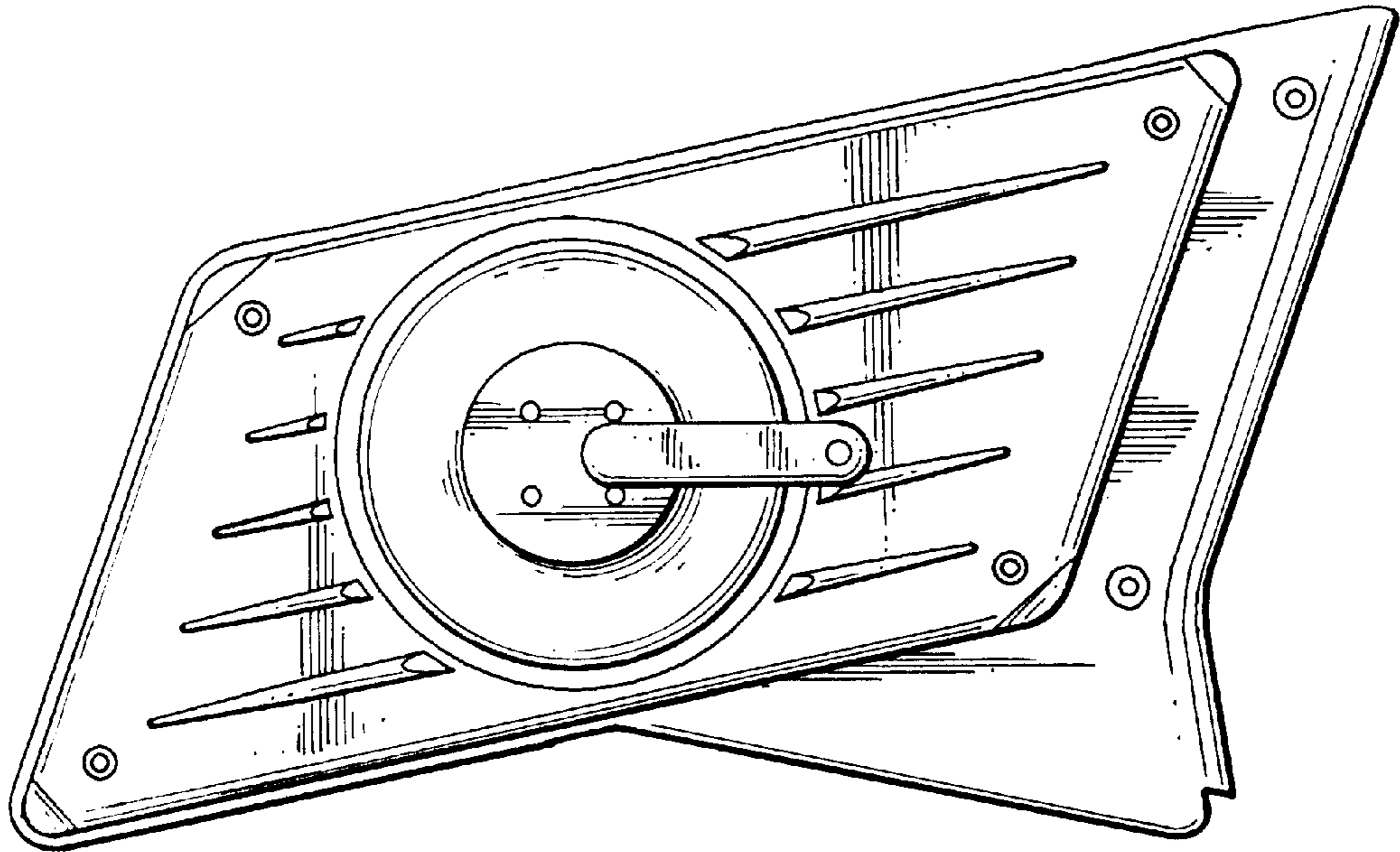


FIG. 2

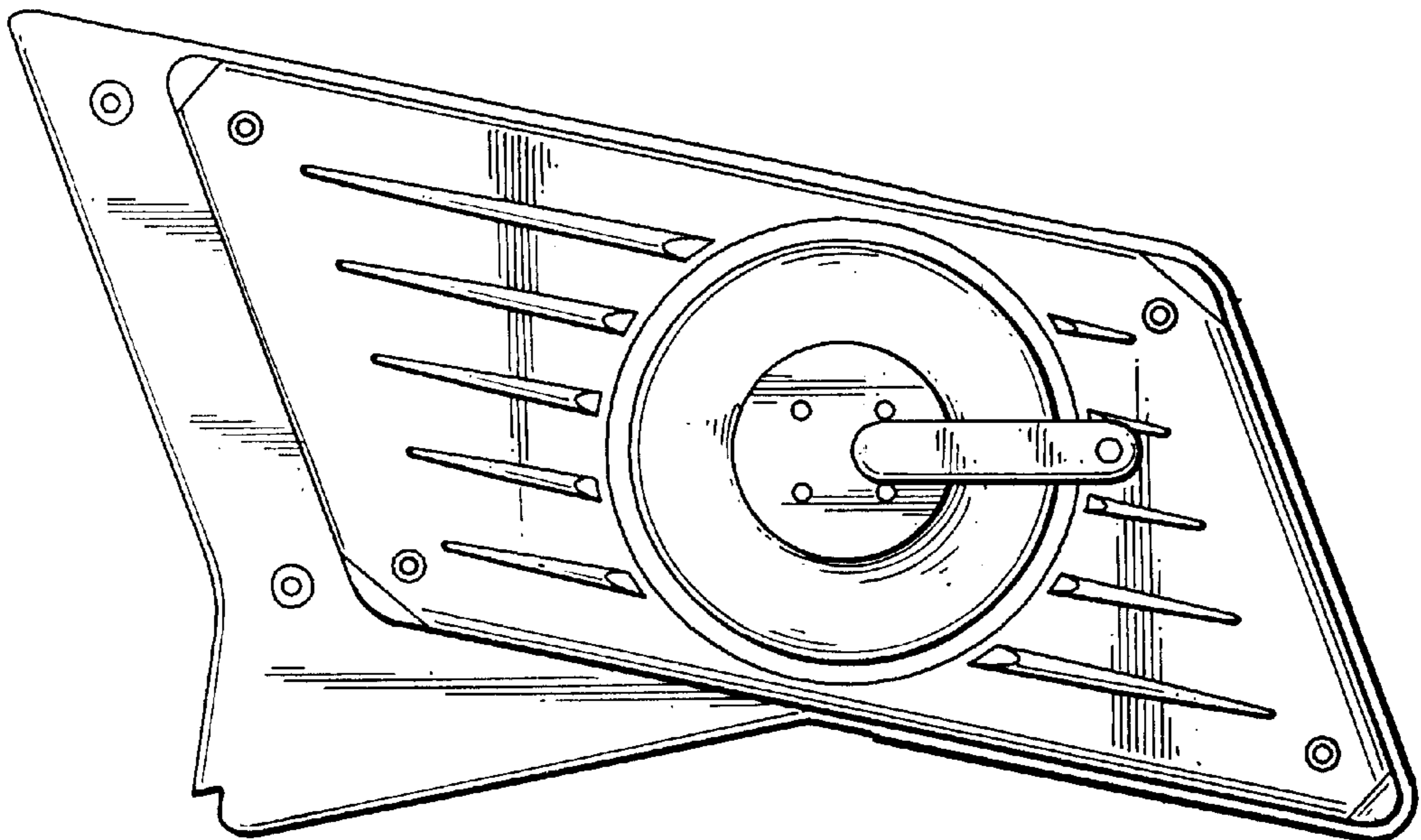


FIG. 3

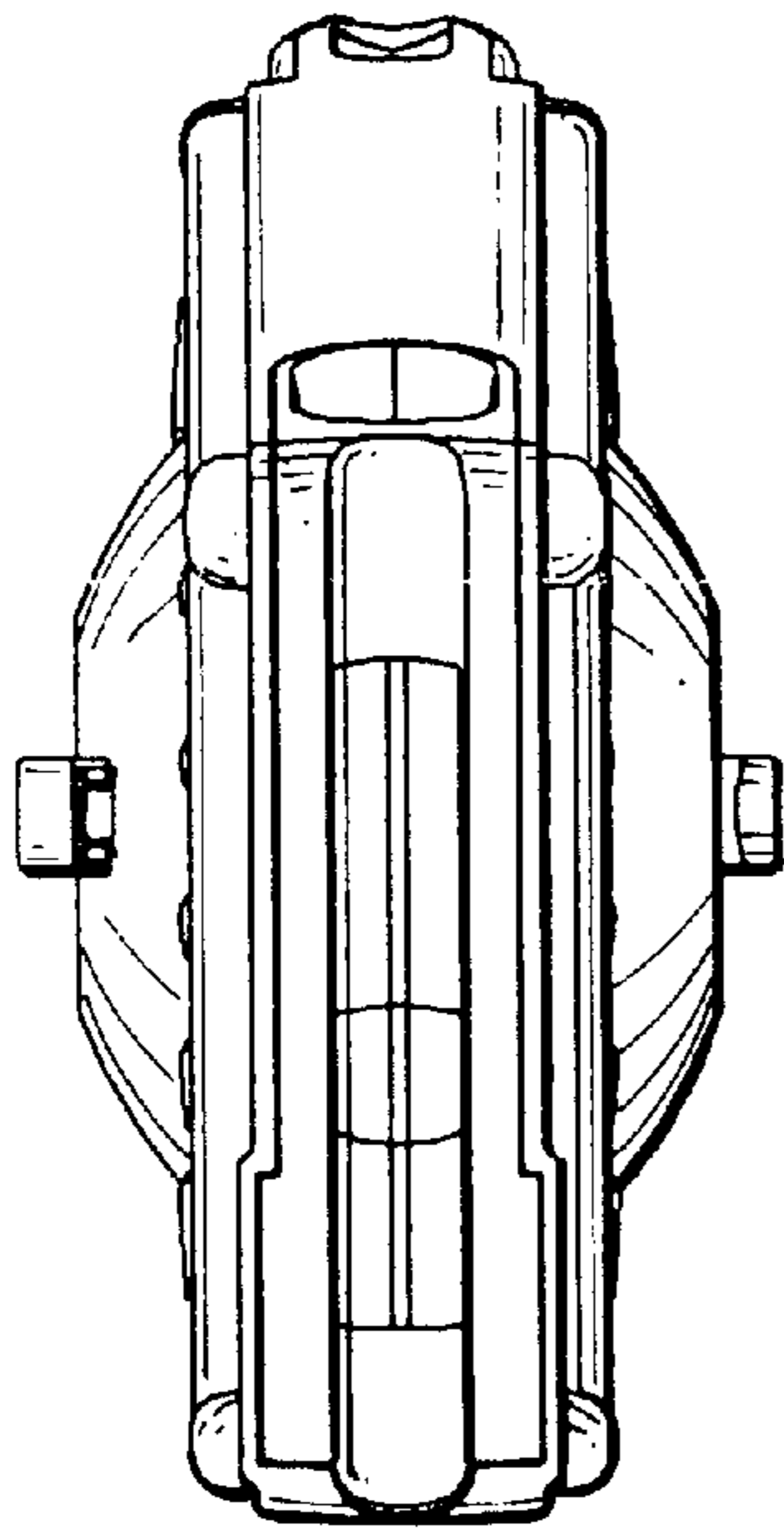


FIG. 4

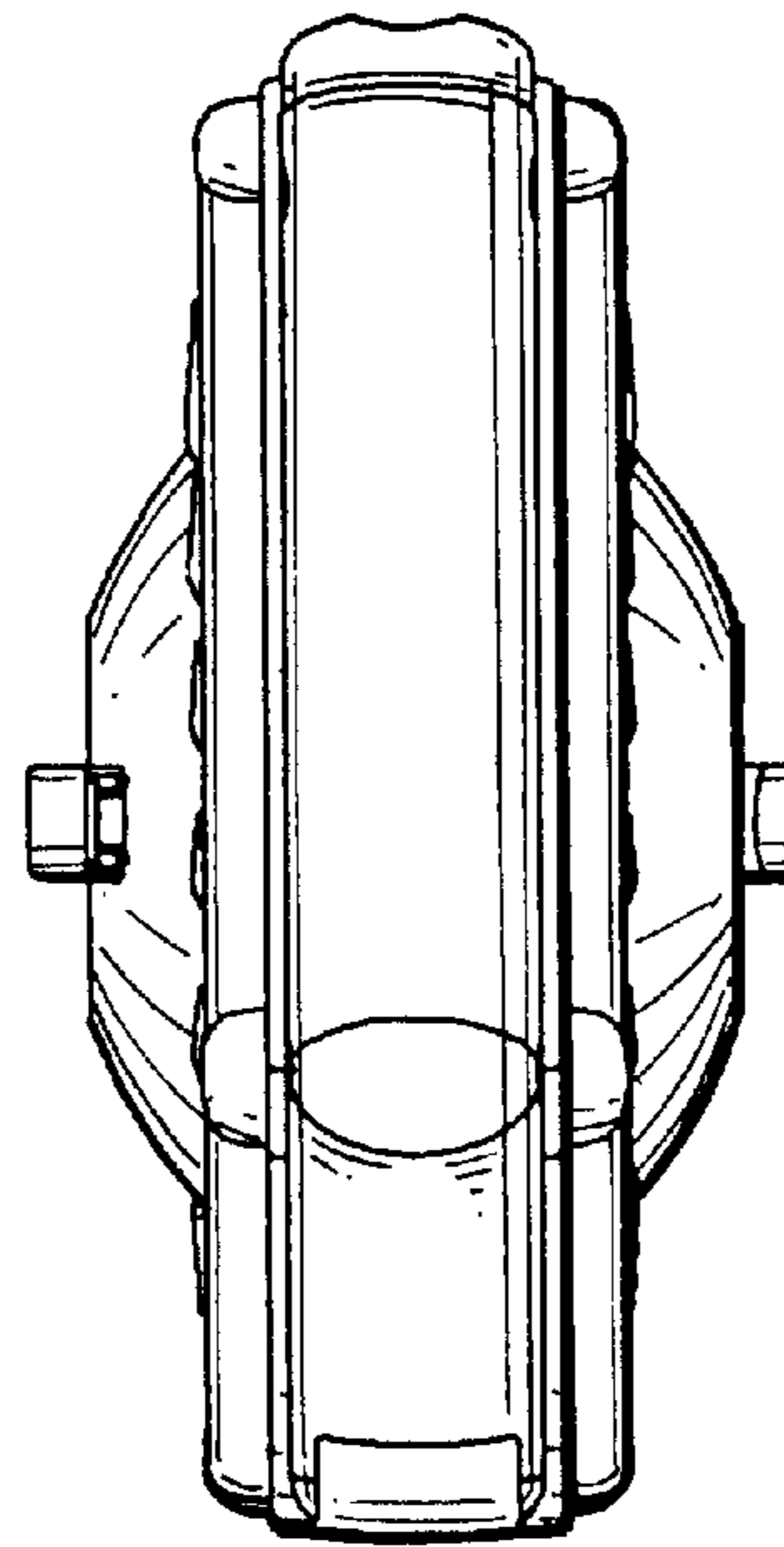


FIG. 5

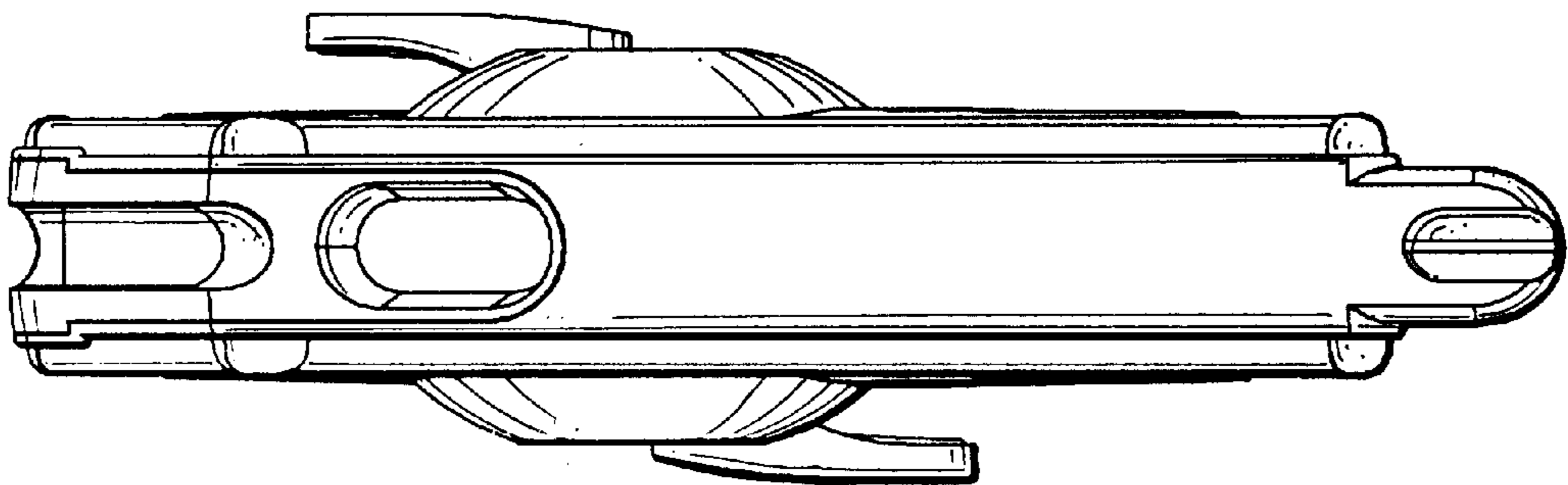


FIG. 6

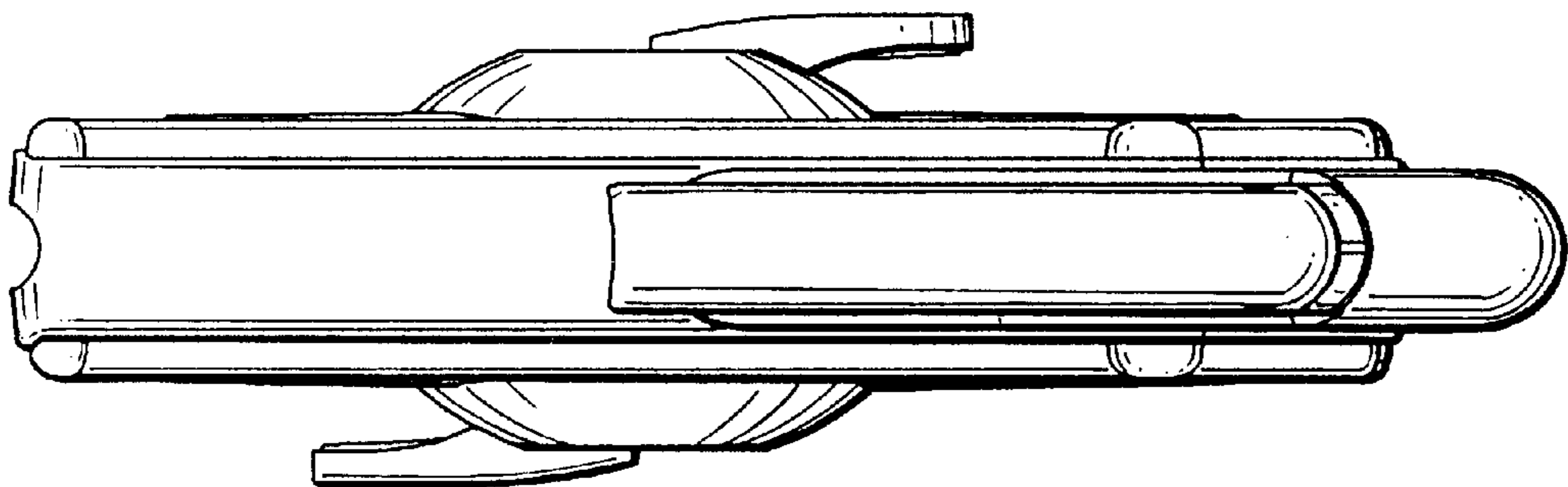


FIG. 7