



US00D470437S

(12) **United States Design Patent**  
**Wachendorf et al.**

(10) **Patent No.:** **US D470,437 S**

(45) **Date of Patent:** **\*\* Feb. 18, 2003**

(54) **MOTORIZED MICRO-BIKE**

D342,926 S \* 1/1994 Russell ..... D12/111

(76) Inventors: **Marvin J. Wachendorf**, 2223 E.  
Santan St., Chandler, AZ (US) 85225;  
**Kenneth R. Ondrejko, Jr.**, 7918 E.  
Culver St., Mesa, AZ (US) 85207

\* cited by examiner

*Primary Examiner*—Alan P. Douglas

*Assistant Examiner*—Linda Brooks

(74) *Attorney, Agent, or Firm*—Cahill, von Hellens &  
Glazer P.L.C.

(\*\*) Term: **14 Years**

(21) Appl. No.: **29/154,332**

(22) Filed: **Jan. 25, 2002**

(51) **LOC (7) Cl.** ..... **12-11**

(52) **U.S. Cl.** ..... **D12/110**

(58) **Field of Search** ..... D12/110, 111;  
180/219; 280/281.1, 288.1–288.3

(56) **References Cited**

**U.S. PATENT DOCUMENTS**

D55,148 S \* 5/1920 Campling ..... D12/110

D124,783 S \* 1/1941 Salisbury ..... D12/110

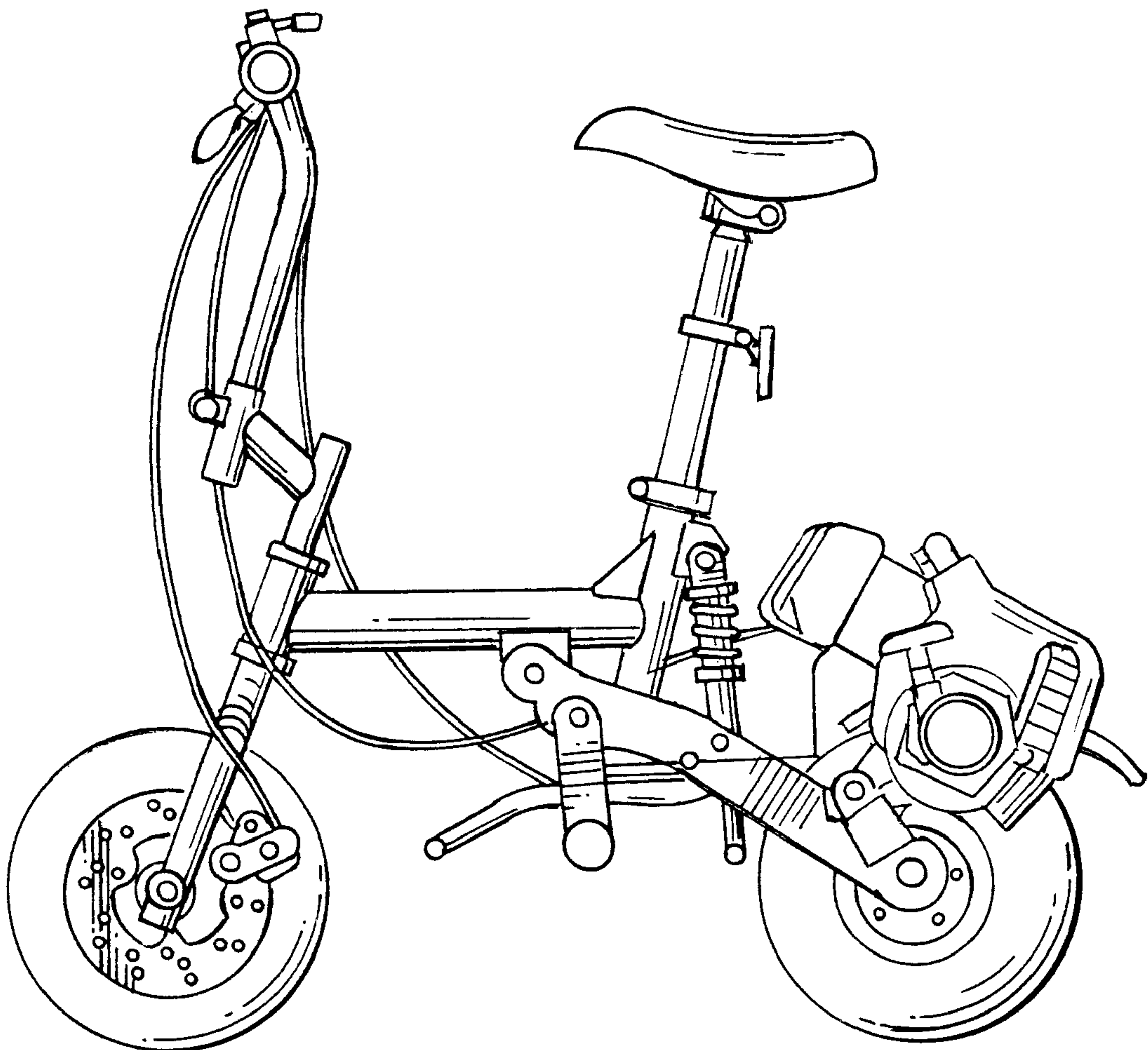
(57) **CLAIM**

The ornamental design for a motorized micro-bike, as shown and described.

**DESCRIPTION**

FIG. 1 is a left side elevational view of a motorized micro-bike and showing our new design; FIG. 2 is a rear elevational view thereof; FIG. 3 is a right side elevational view thereof; FIG. 4 is a front elevational thereof; FIG. 5 is a bottom plan view thereof; and, FIG. 6 is a top plan view thereof.

**1 Claim, 2 Drawing Sheets**



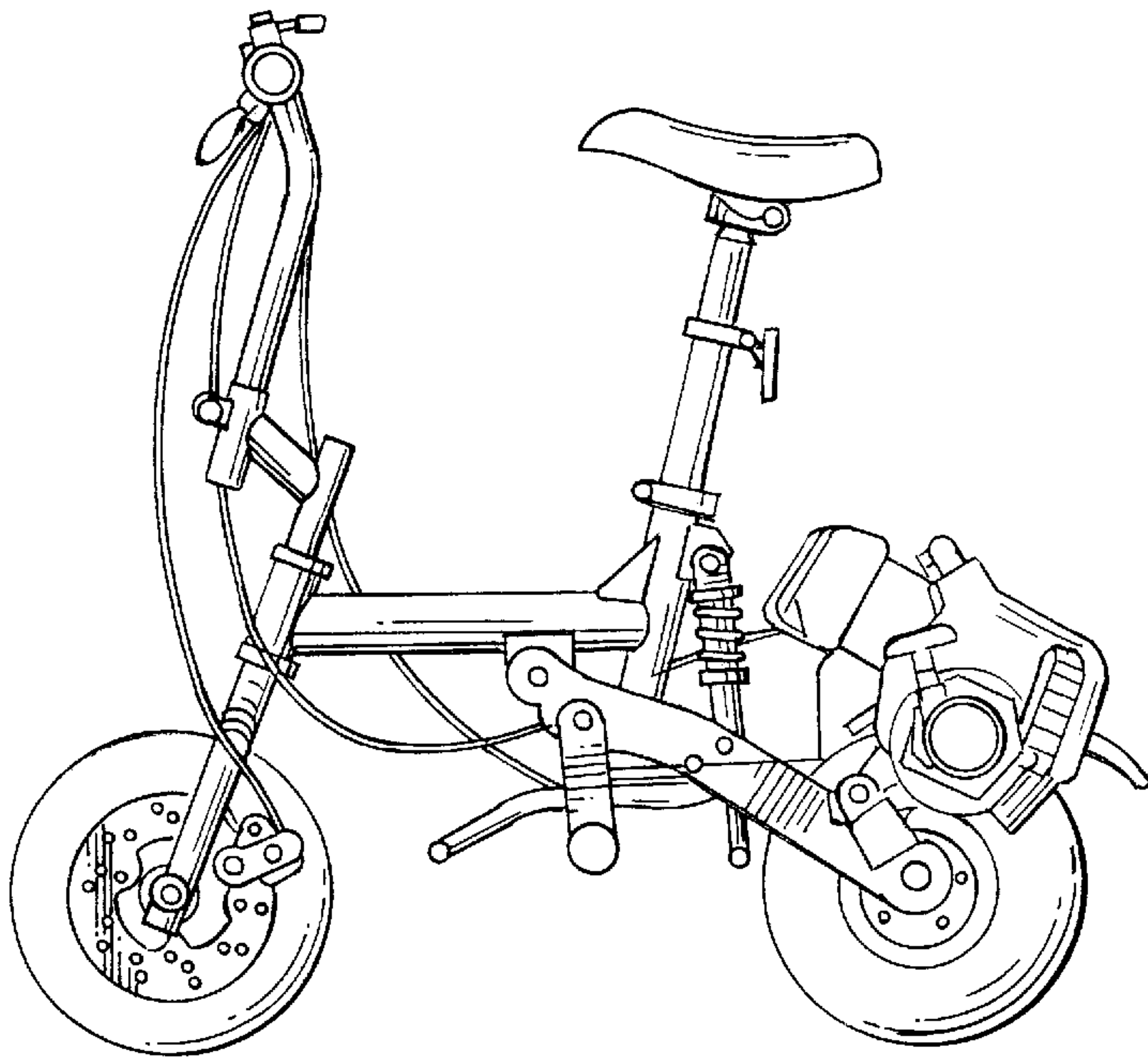


FIG. 1

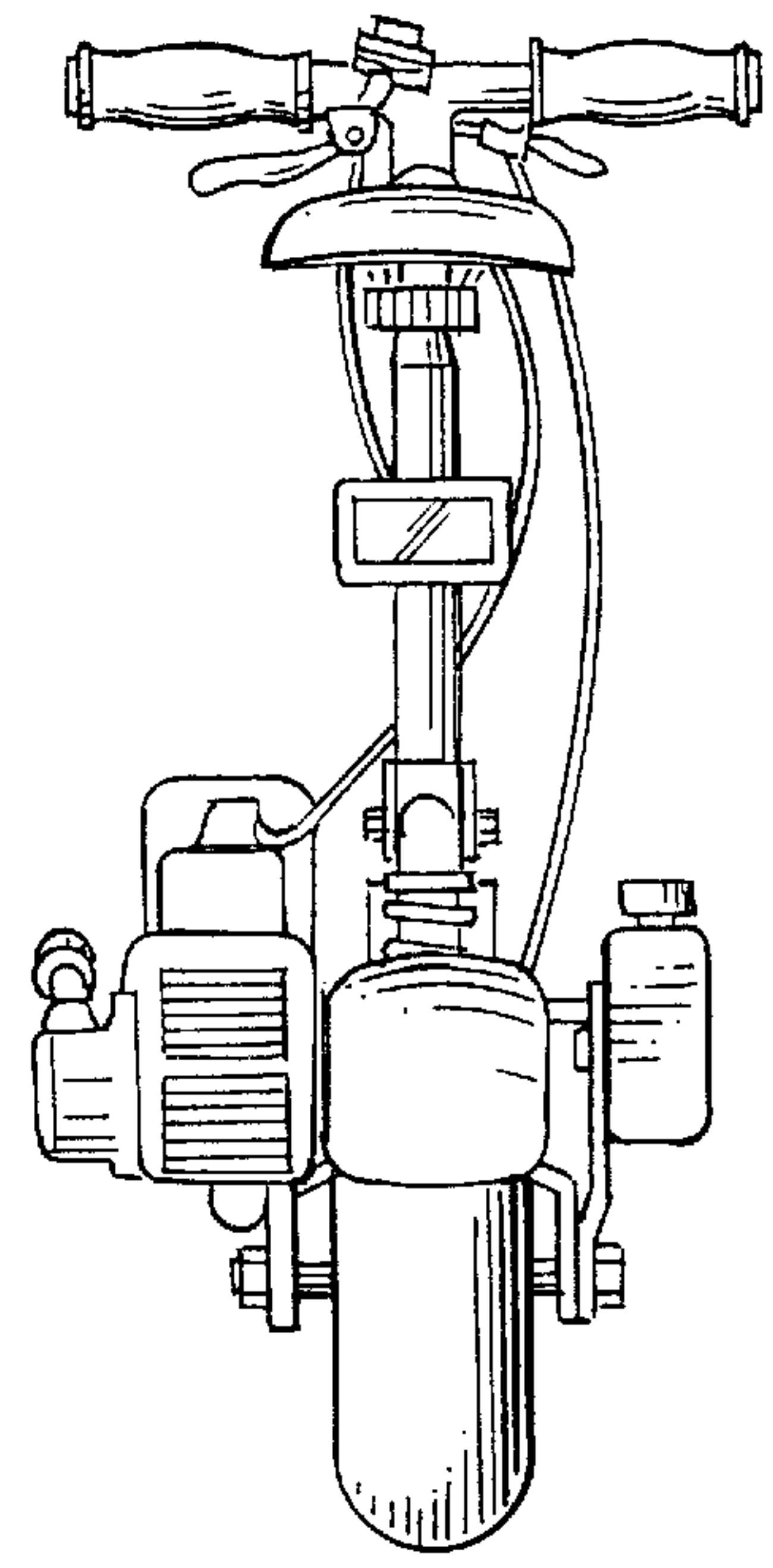


FIG. 2

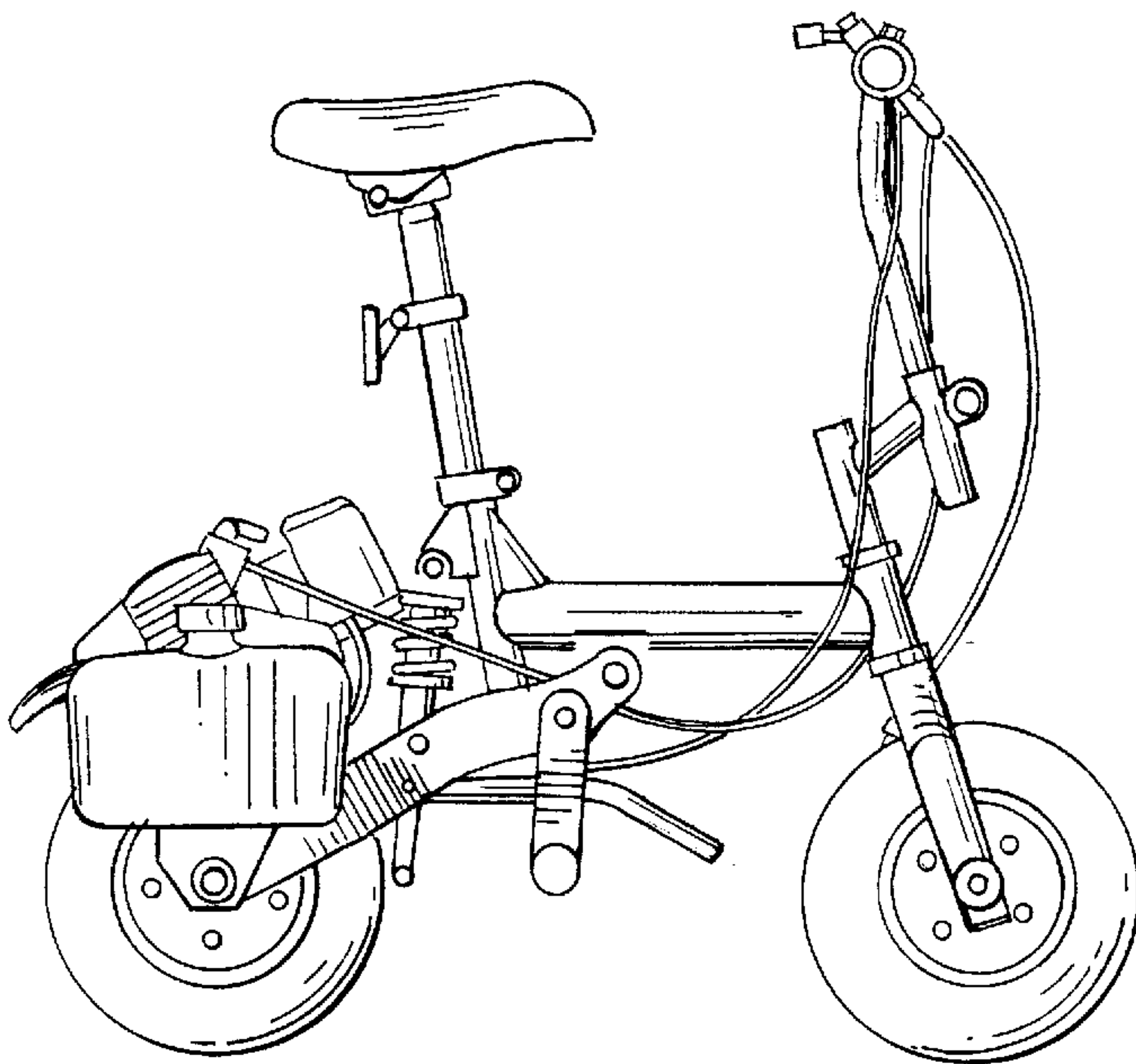


FIG. 3

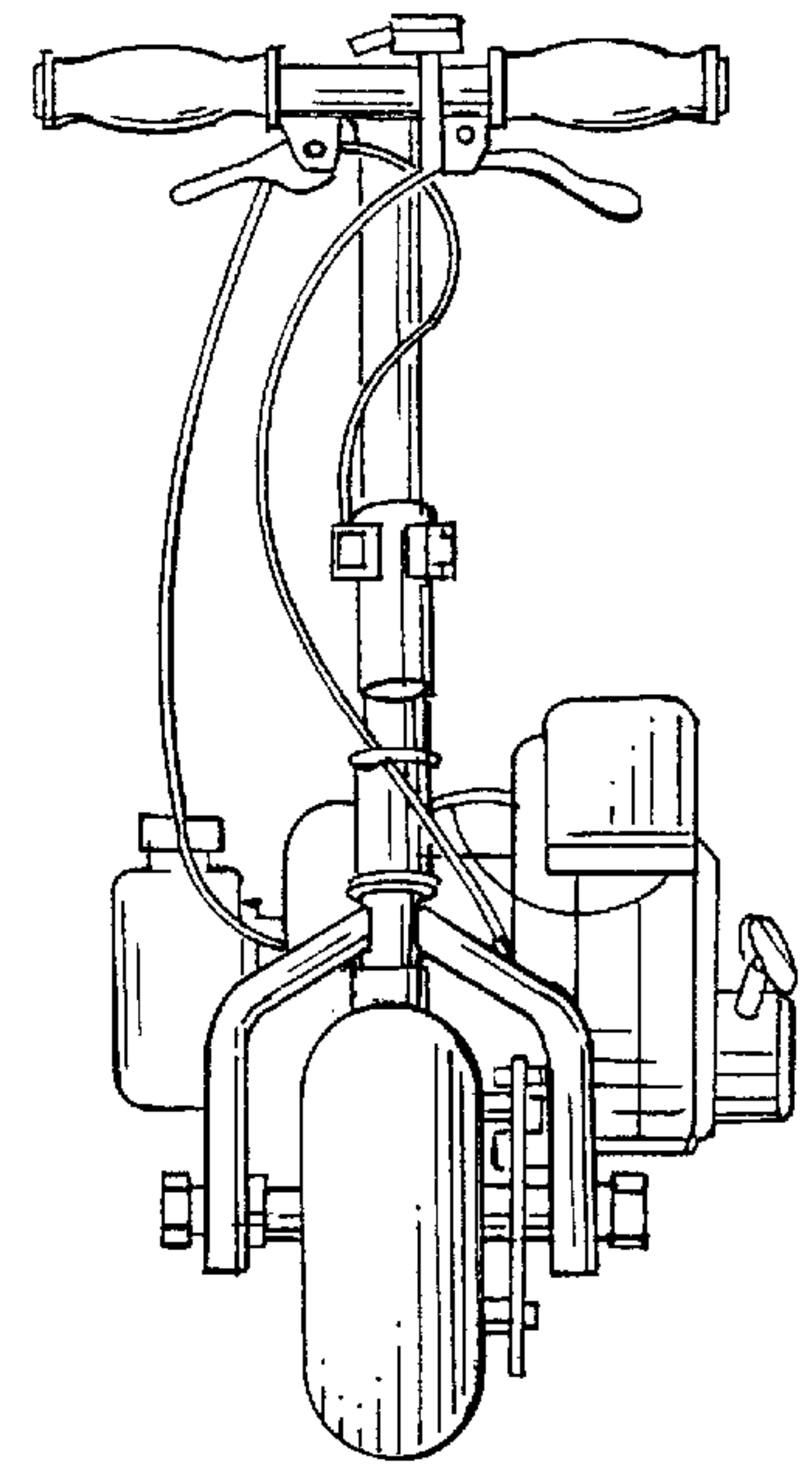
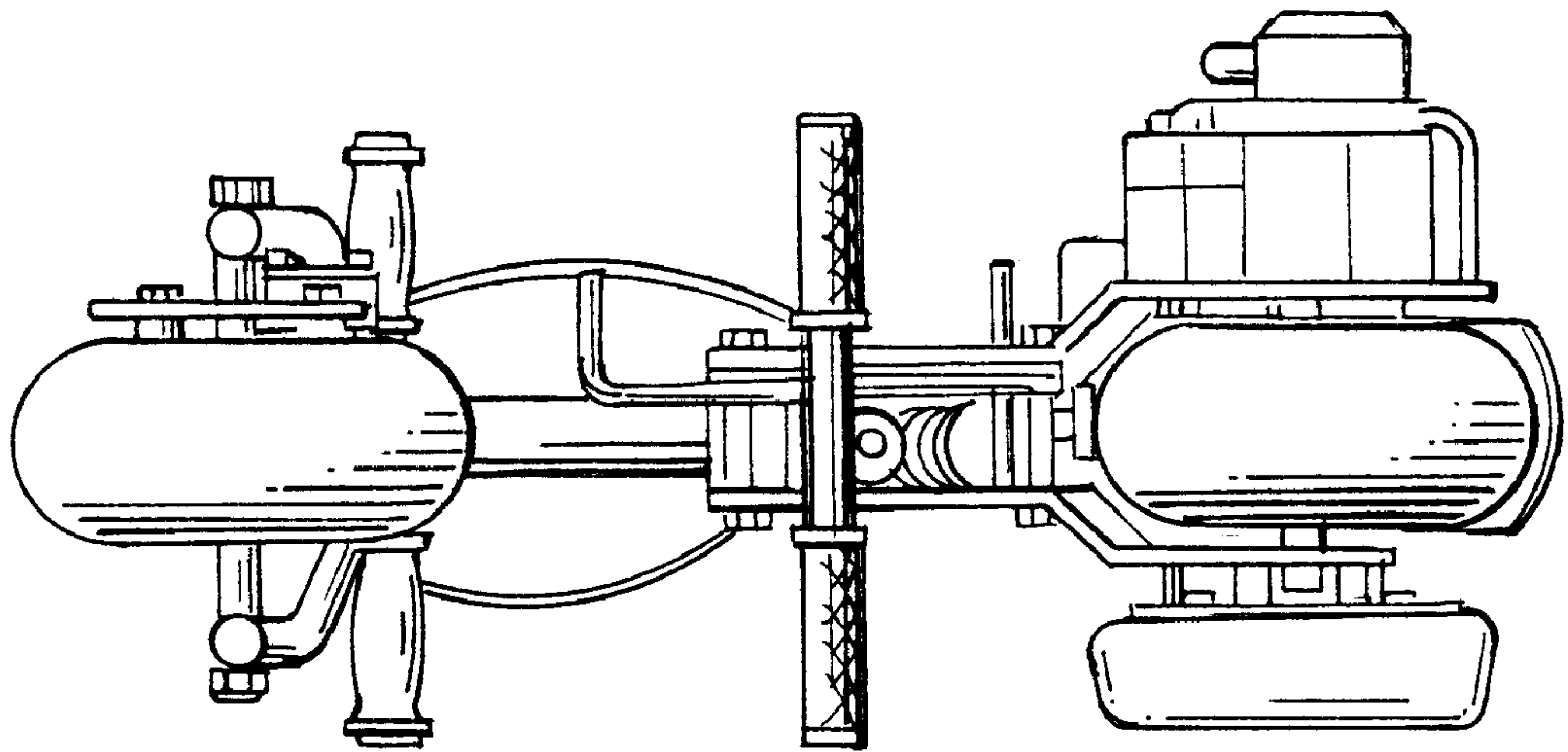
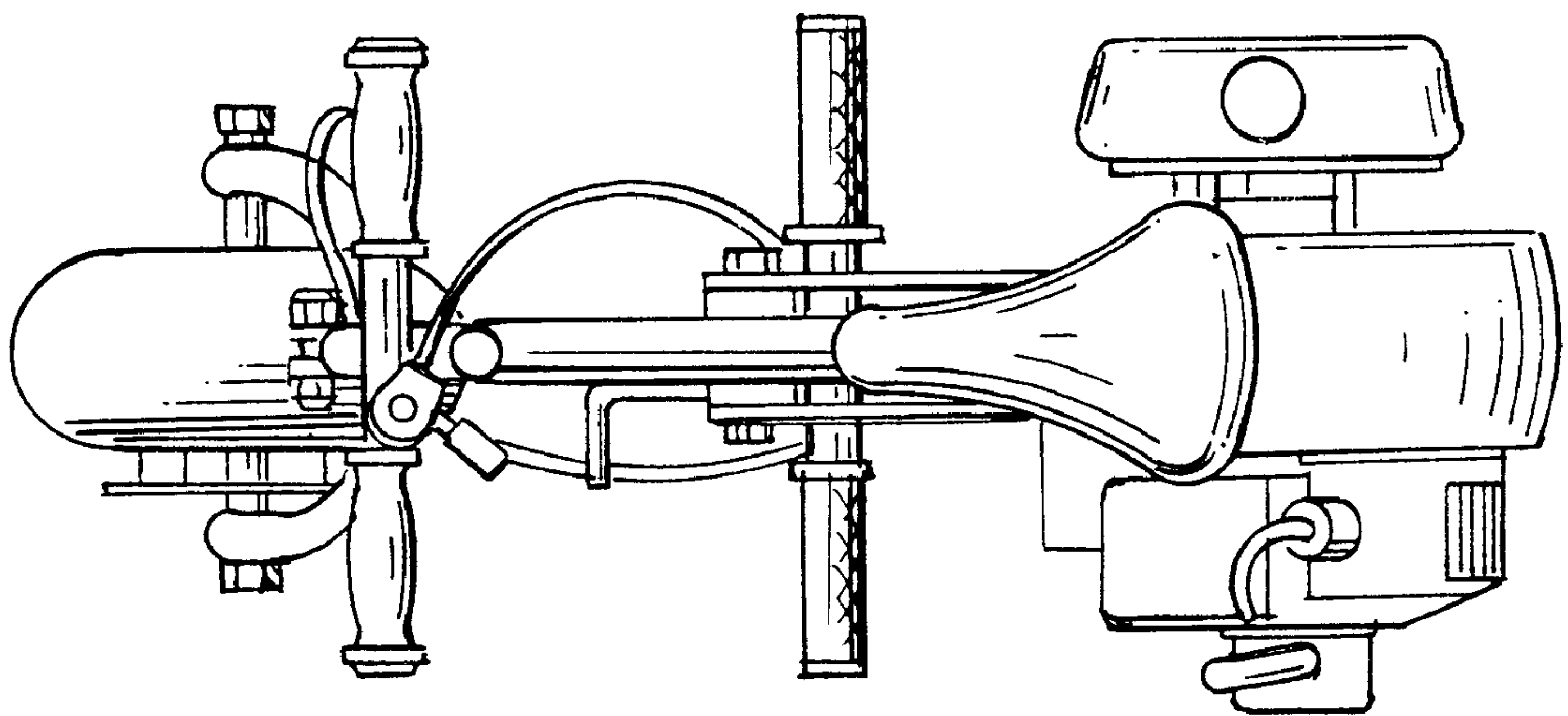


FIG. 4



*FIG. 5*



*FIG. 6*