



US00D470436S

(12) **United States Design Patent**  
**Lee**

(10) **Patent No.:** **US D470,436 S**

(45) **Date of Patent:** **\*\* Feb. 18, 2003**

(54) **TRUCK BODY**

D455,372 S \* 4/2002 Myles ..... D12/98

(75) Inventor: **Keung Lee**, New Territories (HK)

\* cited by examiner

(73) Assignee: **New Bright Industrial Co., Ltd.**,  
Kowloon (HK)

*Primary Examiner*—Melody N. Brown

(74) *Attorney, Agent, or Firm*—Nixon & Vanderhye P.C.

(\*\*) Term: **14 Years**

(57) **CLAIM**

(21) Appl. No.: **29/151,832**

The ornamental design for a “truck body”, as shown and described.

(22) Filed: **Dec. 12, 2001**

**DESCRIPTION**

(51) **LOC (7) Cl.** ..... **12-08**

FIG. 1 is a front, top and left side perspective view of a truck body according to my design;

(52) **U.S. Cl.** ..... **D12/98**

FIG. 2 is a front elevational view thereof;

(58) **Field of Search** ..... D12/98, 93, 96;  
296/183, 24.1, 37.6

FIG. 3 is a back elevational view thereof;

FIG. 4 is a top plan view thereof;

FIG. 5 is a bottom plan view thereof;

FIG. 6 is a right side elevational view thereof; and,

FIG. 7 is a left side elevational view thereof.

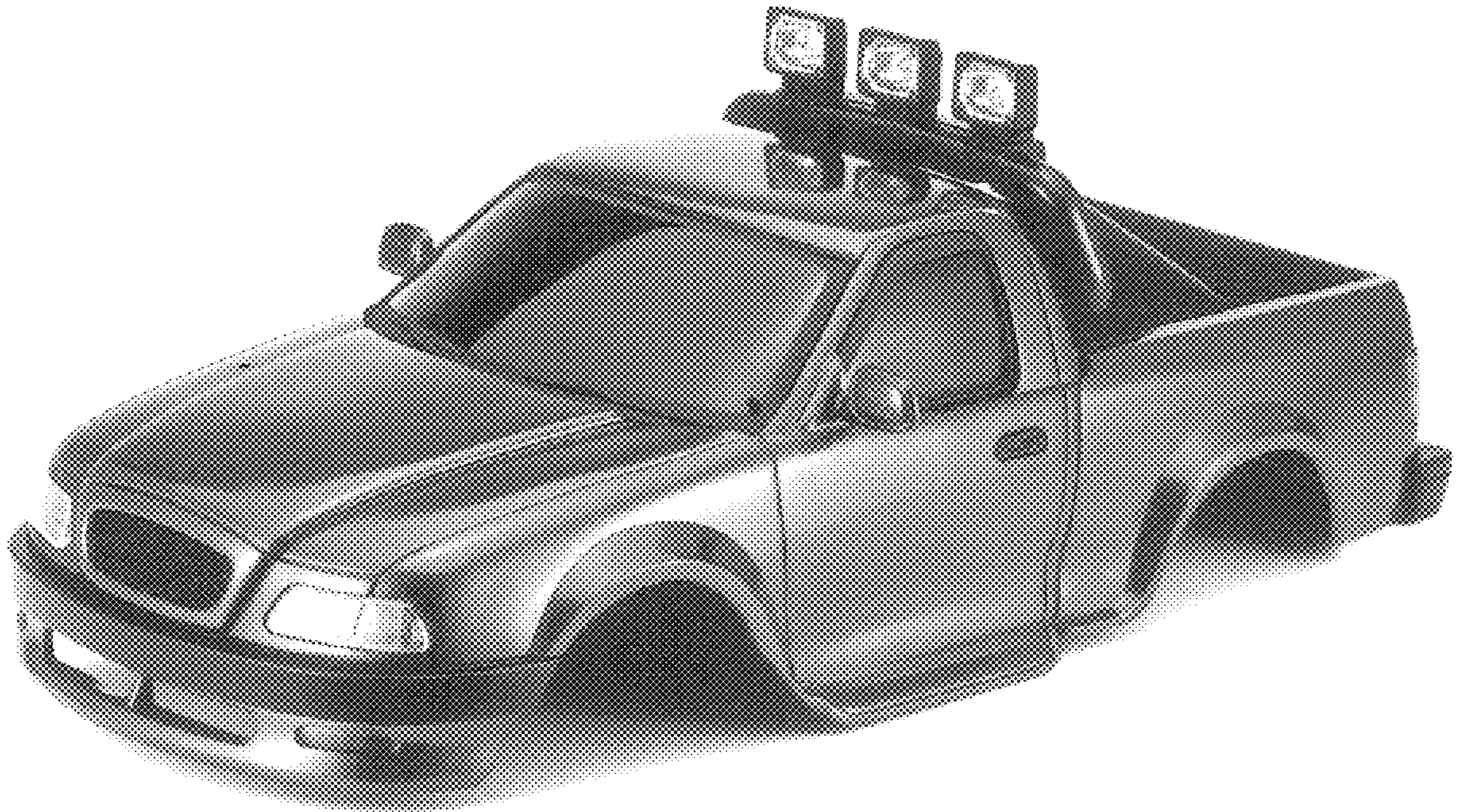
(56) **References Cited**

**U.S. PATENT DOCUMENTS**

D405,392 S \* 2/1999 Allen ..... D12/98

D419,491 S \* 1/2000 Allen ..... D12/98

**1 Claim, 6 Drawing Sheets**



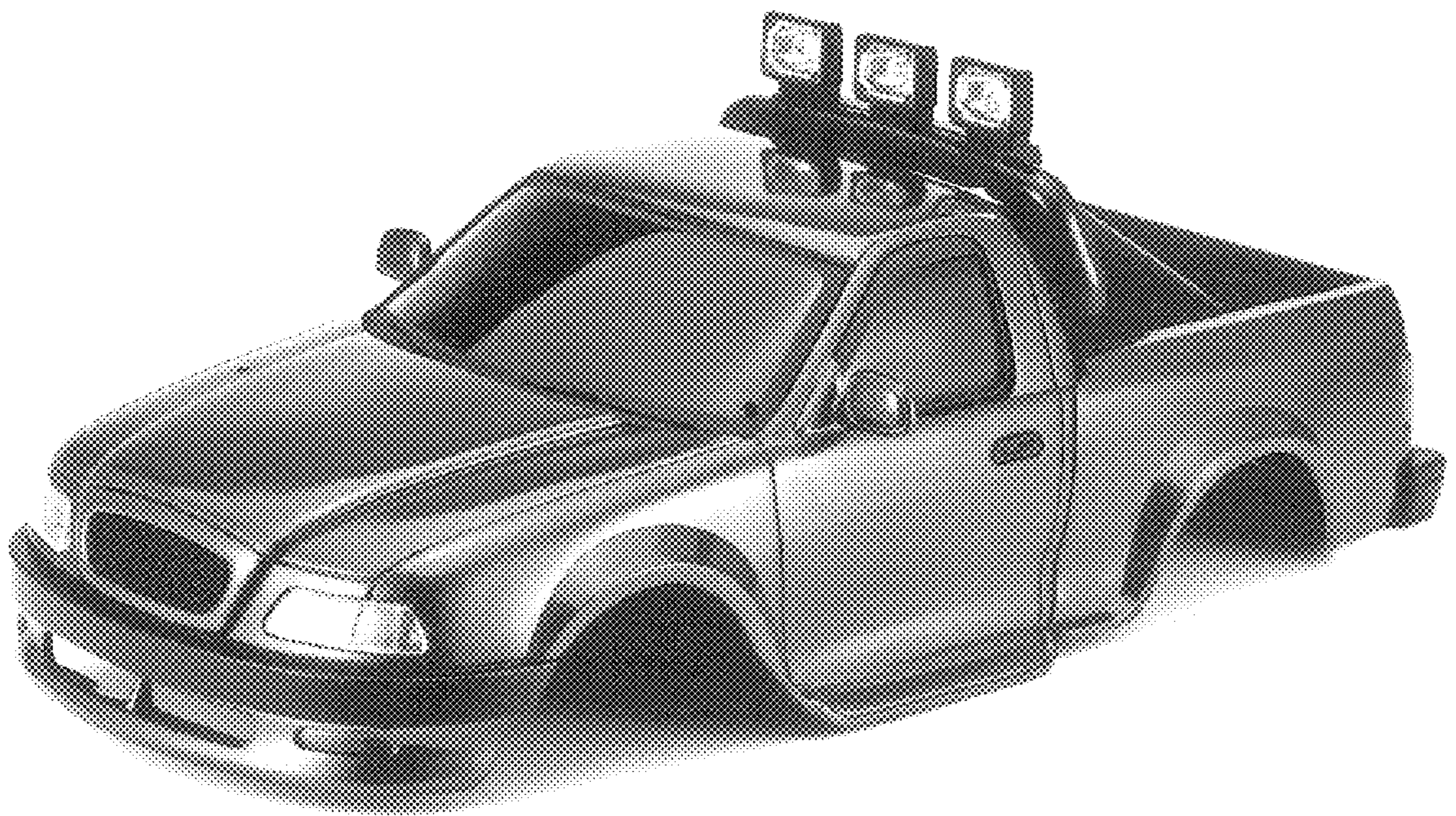


Fig. 1



Fig.2

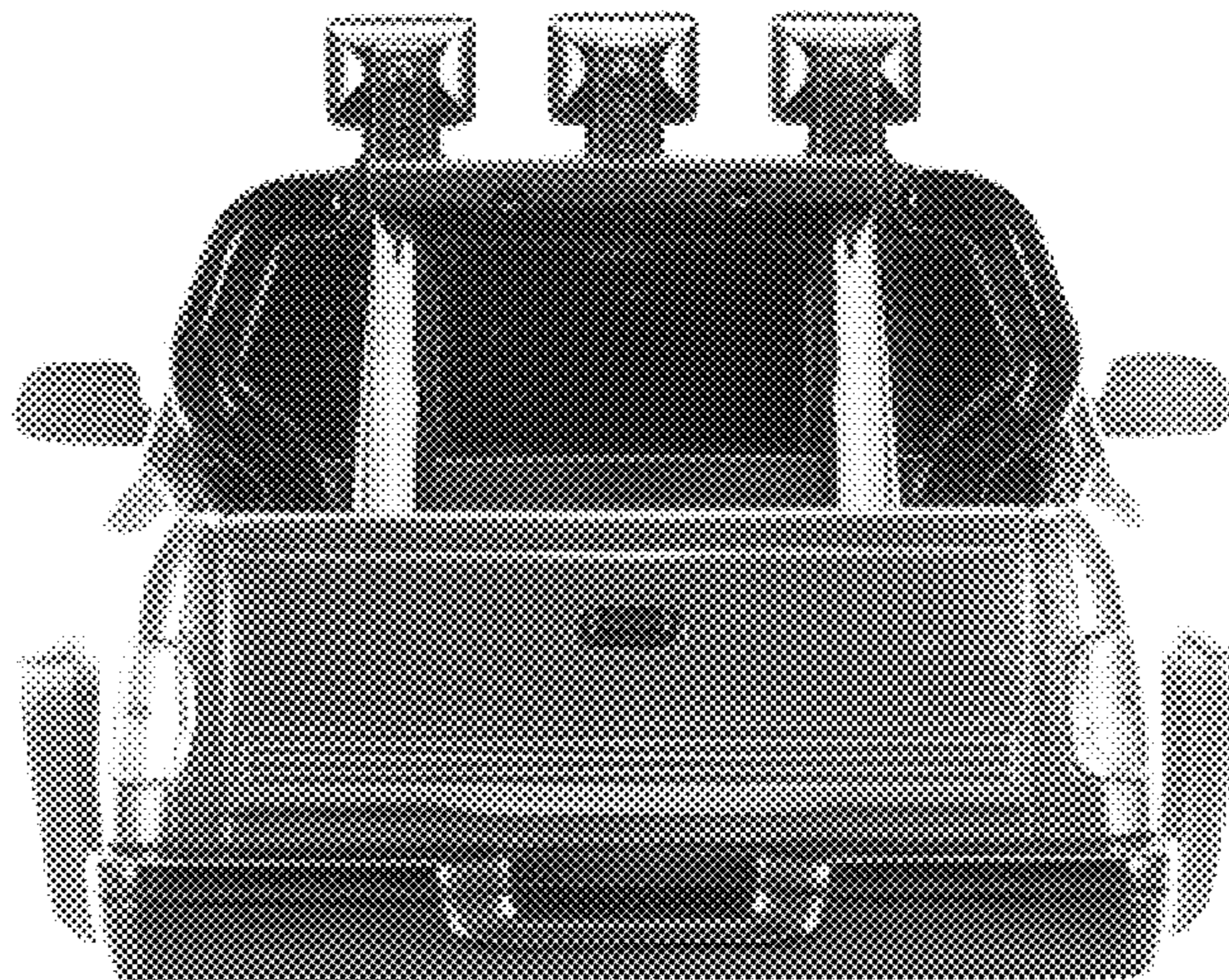


Fig.3

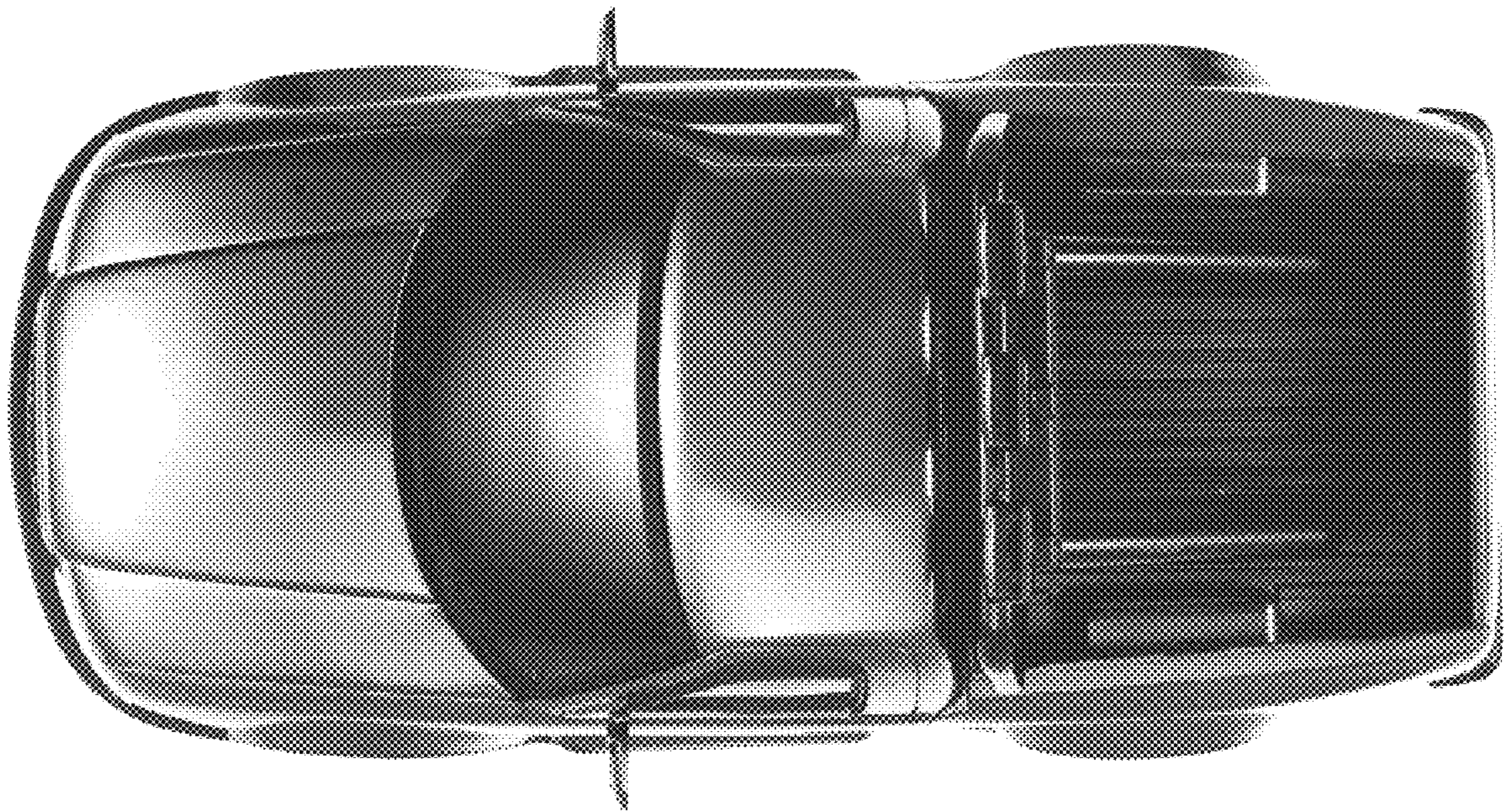


Fig.4

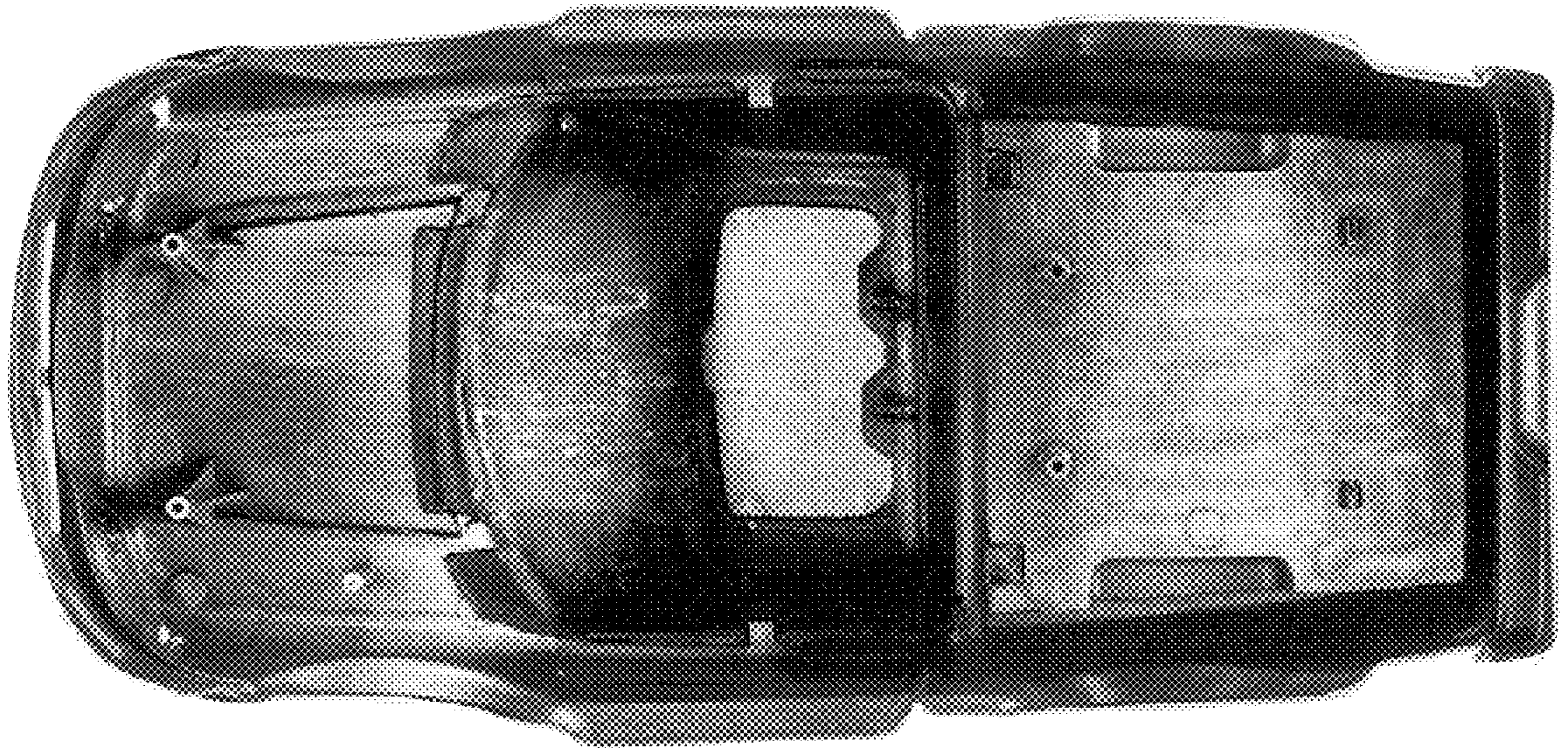


Fig.5

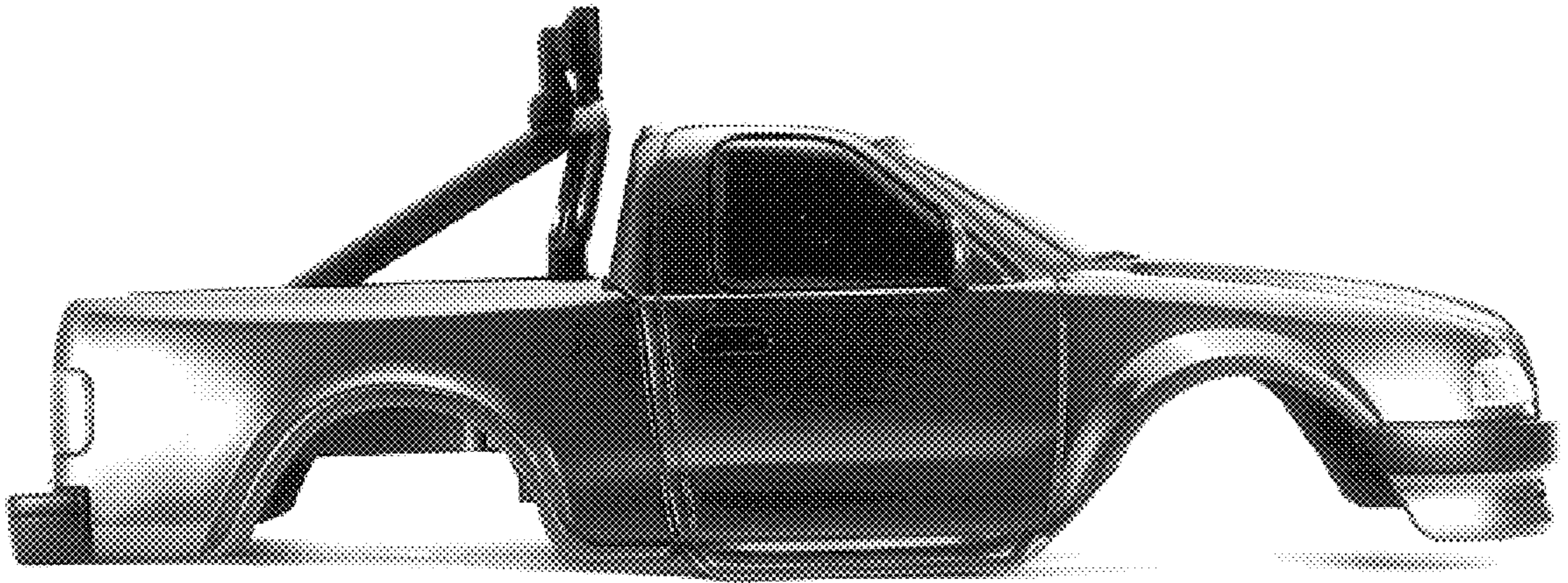


Fig.6

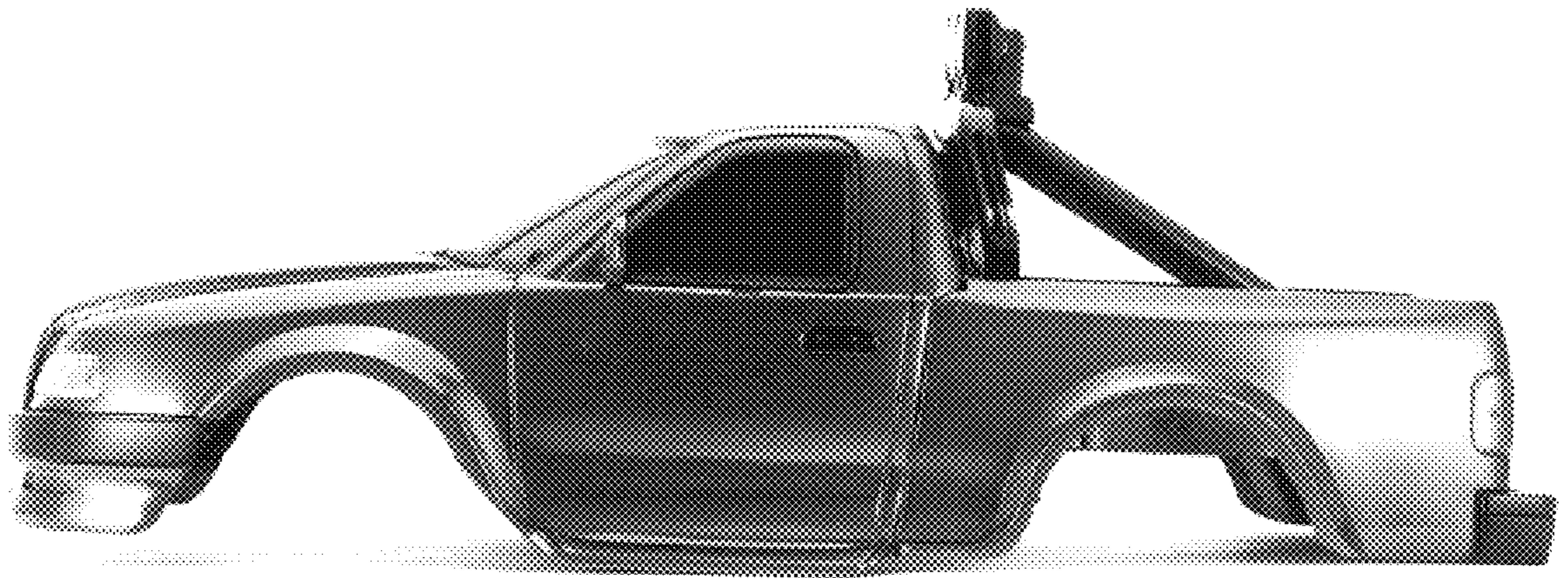


Fig.7