



US00D470428S

(12) **United States Design Patent**
Kryskowski et al.

(10) **Patent No.:** **US D470,428 S**

(45) **Date of Patent:** **** Feb. 18, 2003**

(54) **PRESSURE SENSOR**

D441,673 S * 5/2001 Shimomoto et al. D10/85

(75) Inventors: **Edward J. Kryskowski**, Dearborn Heights, MI (US); **David Kryskowski**, Ann Arbor, MI (US)

* cited by examiner

Primary Examiner—Antoine Duval Davis
(74) *Attorney, Agent, or Firm*—Law Offices of John Chupa and Associates, P.C.

(73) Assignee: **Ann Arbor Systems, LLC**, Ann Arbor, MI (US)

(**) Term: **14 Years**

(57) **CLAIM**

The ornamental design for a pressure sensor, as shown and described.

(21) Appl. No.: **29/138,232**

(22) Filed: **Mar. 9, 2001**

DESCRIPTION

(51) **LOC (7) Cl.** **10-04**

(52) **U.S. Cl.** **D10/85**

(58) **Field of Search** D10/46, 85; 73/431, 73/700-756

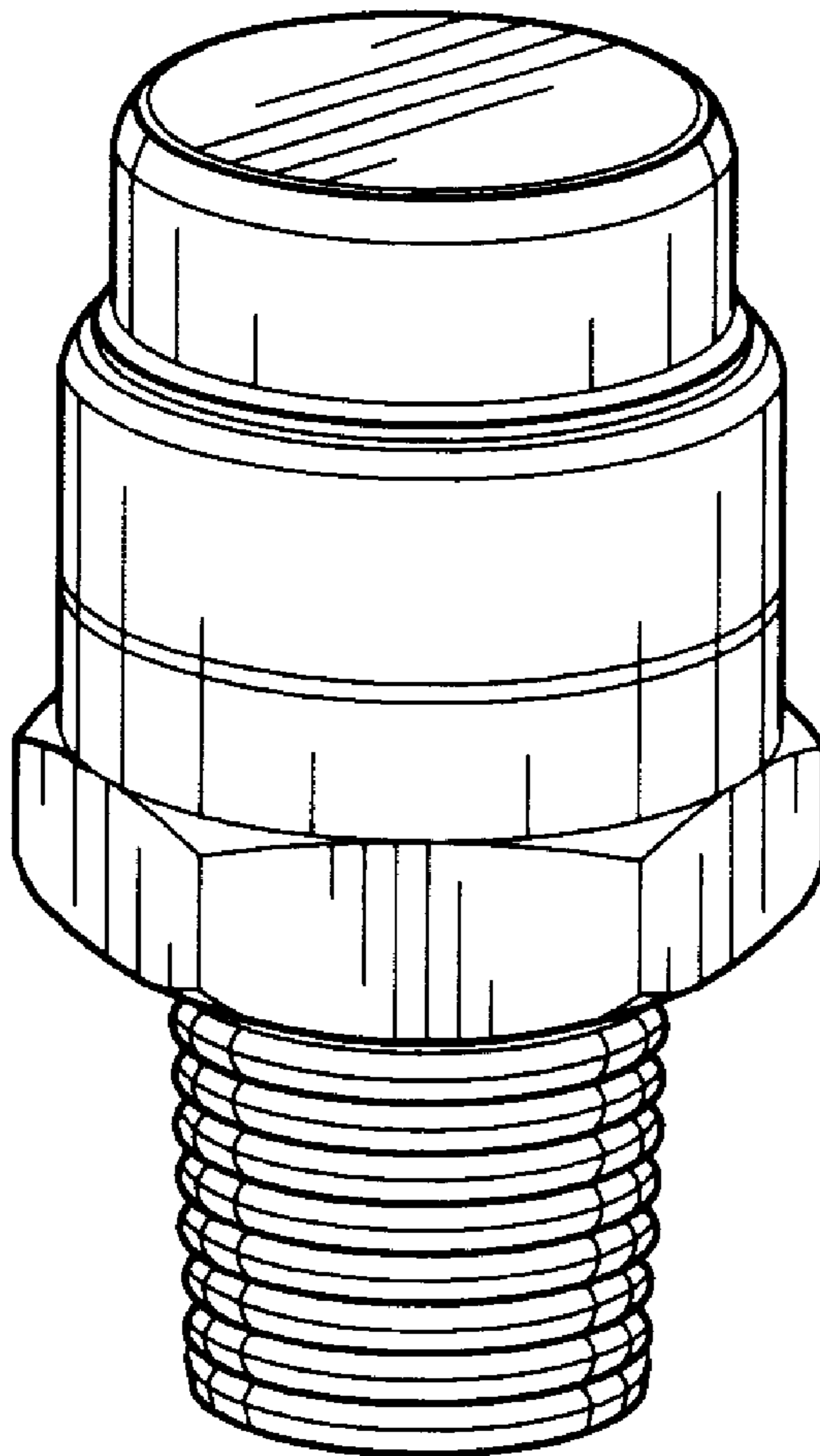
FIG. 1 is a perspective view thereof;
FIG. 2 is a right side view thereof;
FIG. 3 is a left side view thereof;
FIG. 4 is a top view thereof; and,
FIG. 5 is a bottom view thereof.

(56) **References Cited**

U.S. PATENT DOCUMENTS

D236,816 S * 9/1975 Martin D10/85

1 Claim, 1 Drawing Sheet



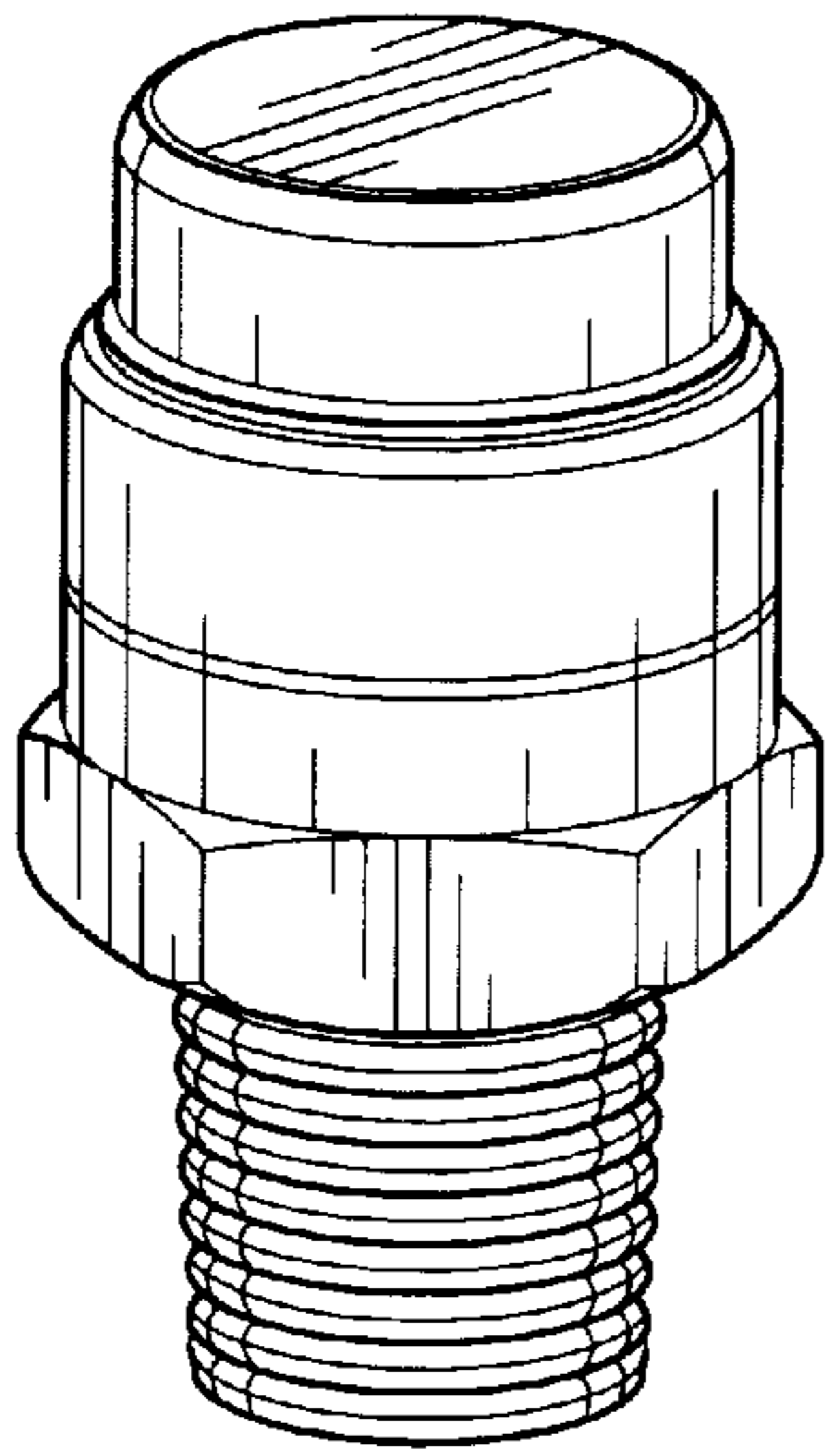


Figure 1

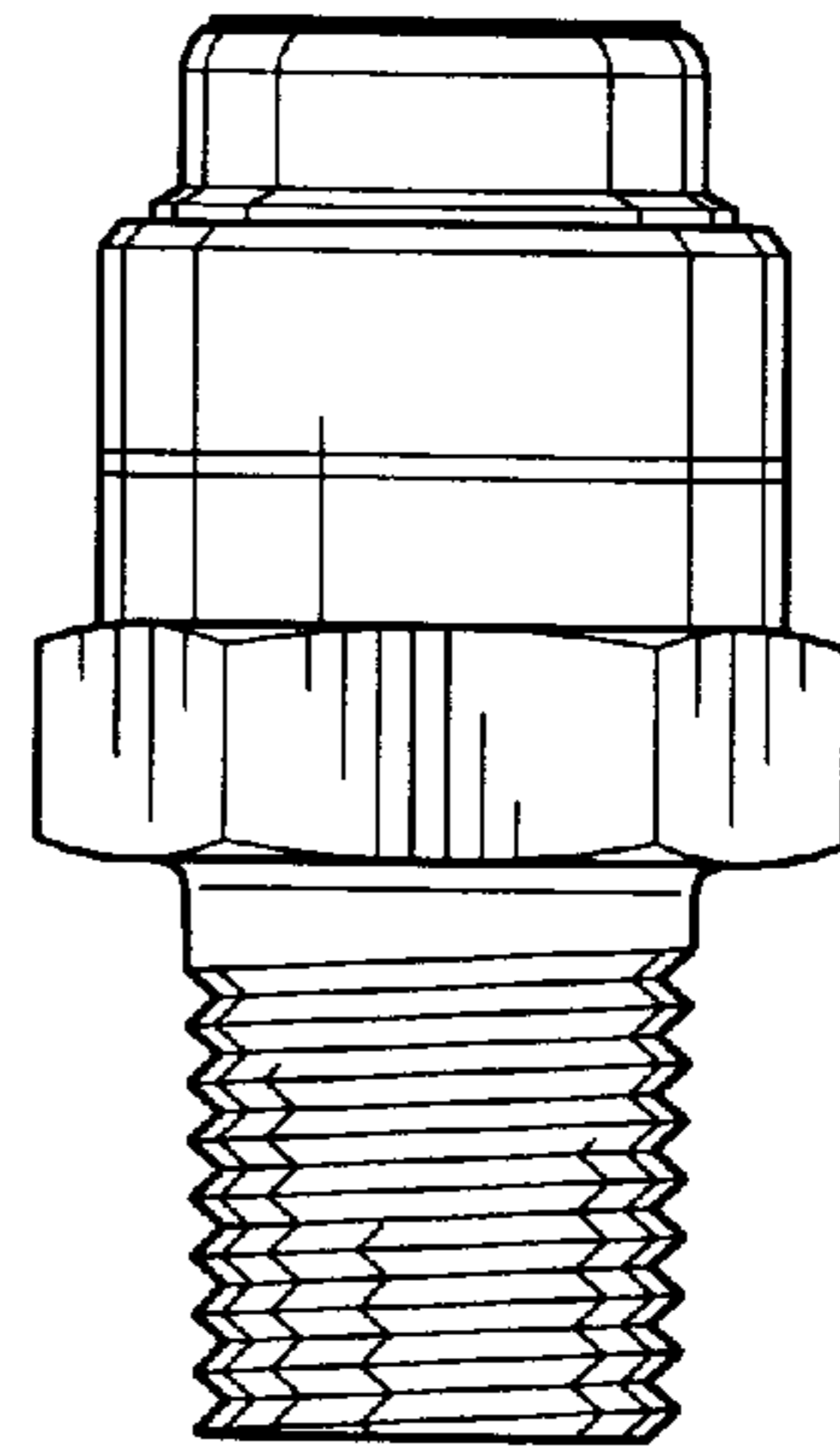


Figure 2

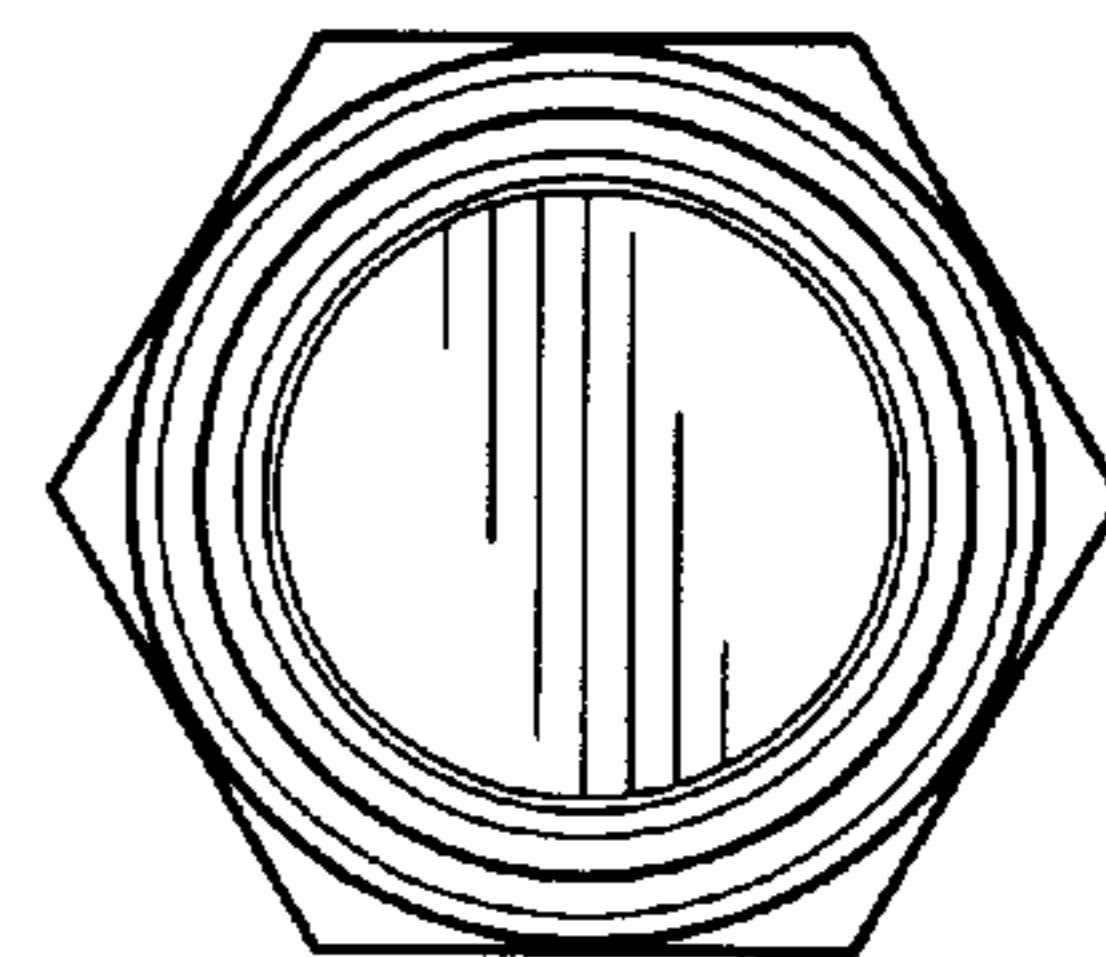


Figure 4

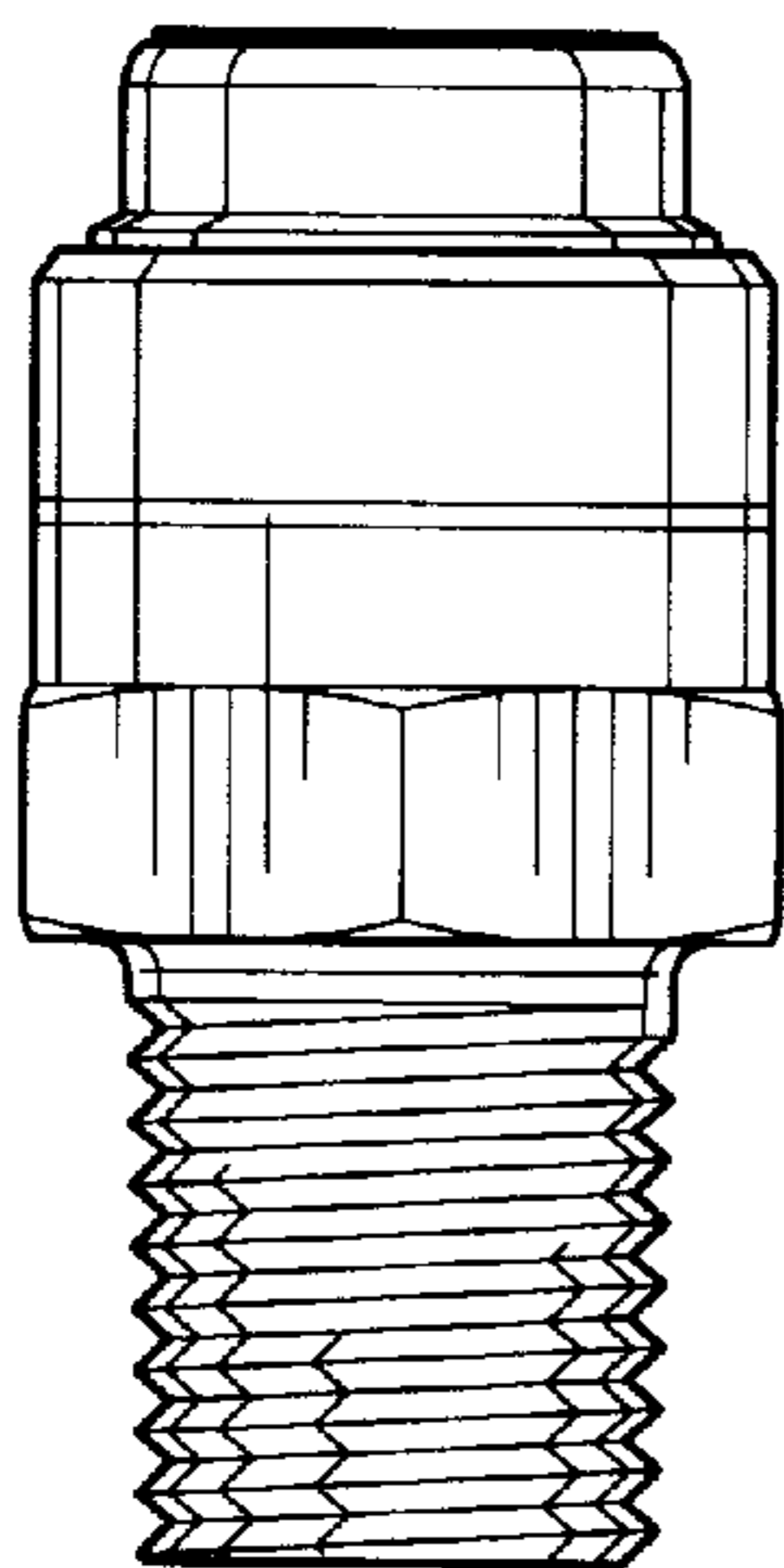


Figure 3

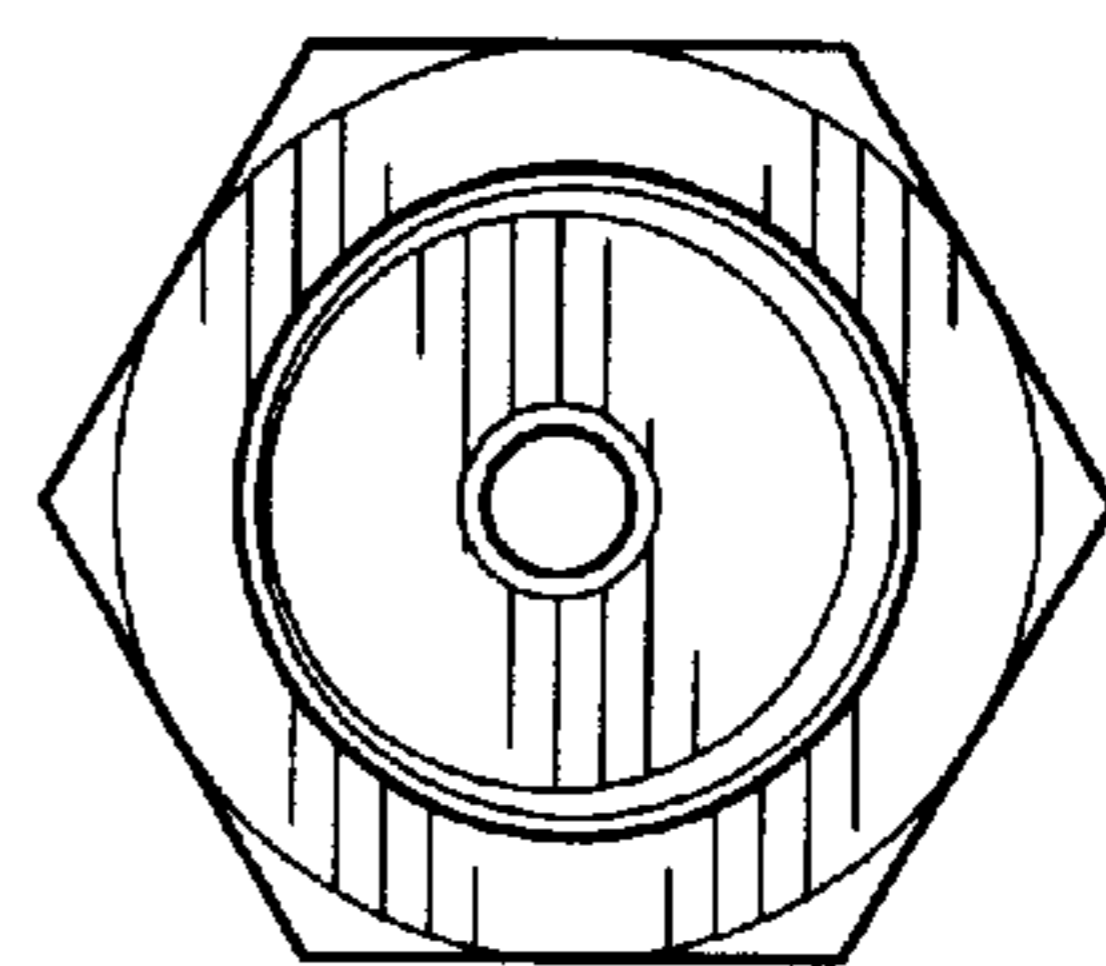


Figure 5