



US00D470427S

(12) **United States Design Patent**  
**Scurry**

(10) **Patent No.:** **US D470,427 S**

(45) **Date of Patent:** **\*\* Feb. 18, 2003**

(54) **TAPE MEASURE HOUSING**

(57) **CLAIM**

(76) **Inventor:** **Eddie Lee Scurry**, 25636 Franklin Ave., #1, Hayward, CA (US) 94544

The ornamental design for a tape measure housing, substantially as shown and described.

(\*\*) **Term:** **14 Years**

**DESCRIPTION**

(21) **Appl. No.:** **29/159,144**

FIG. 1 is a perspective view of a tape measure housing showing my new design;

(22) **Filed:** **Apr. 17, 2002**

FIG. 2 is a top view;

(51) **LOC (7) Cl.** ..... **10-04**

FIG. 3 is a left side view (the right side view being a mirror image thereof)

(52) **U.S. Cl.** ..... **D10/72**

FIG. 4 is a rear view;

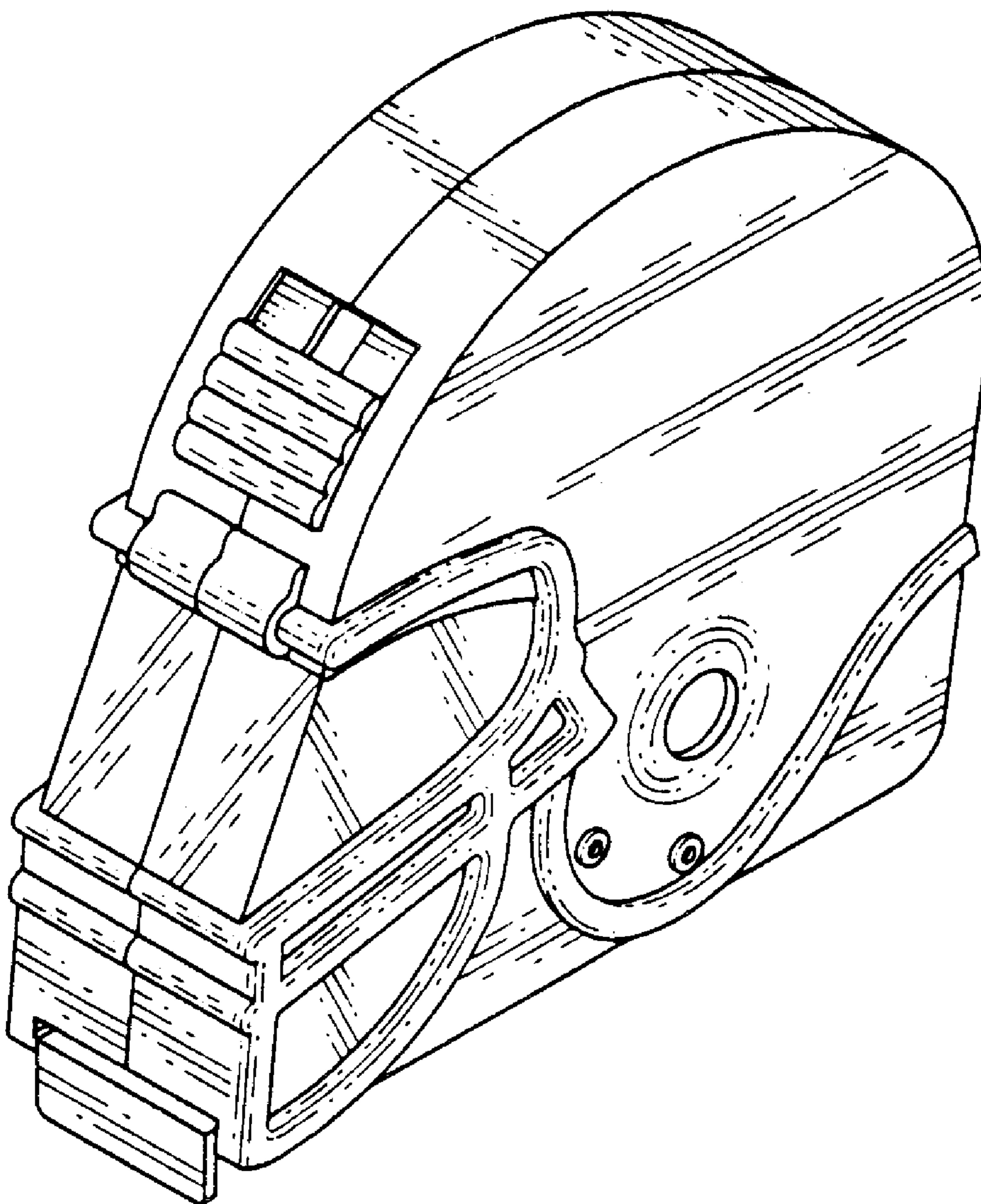
(58) **Field of Search** ..... **D10/72; 33/755-770**

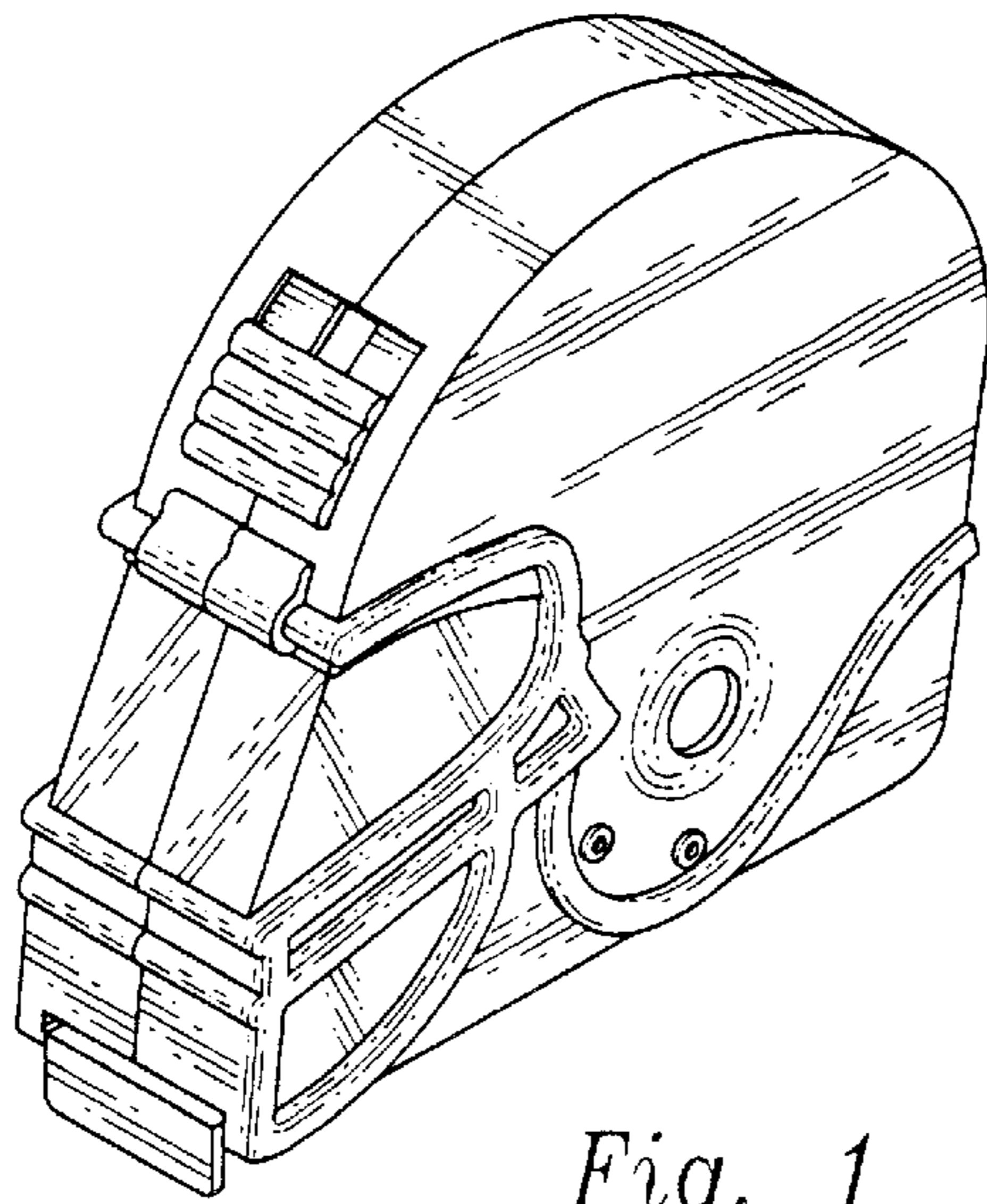
FIG. 5 is a front view; and,

FIG. 6 is a bottom view.

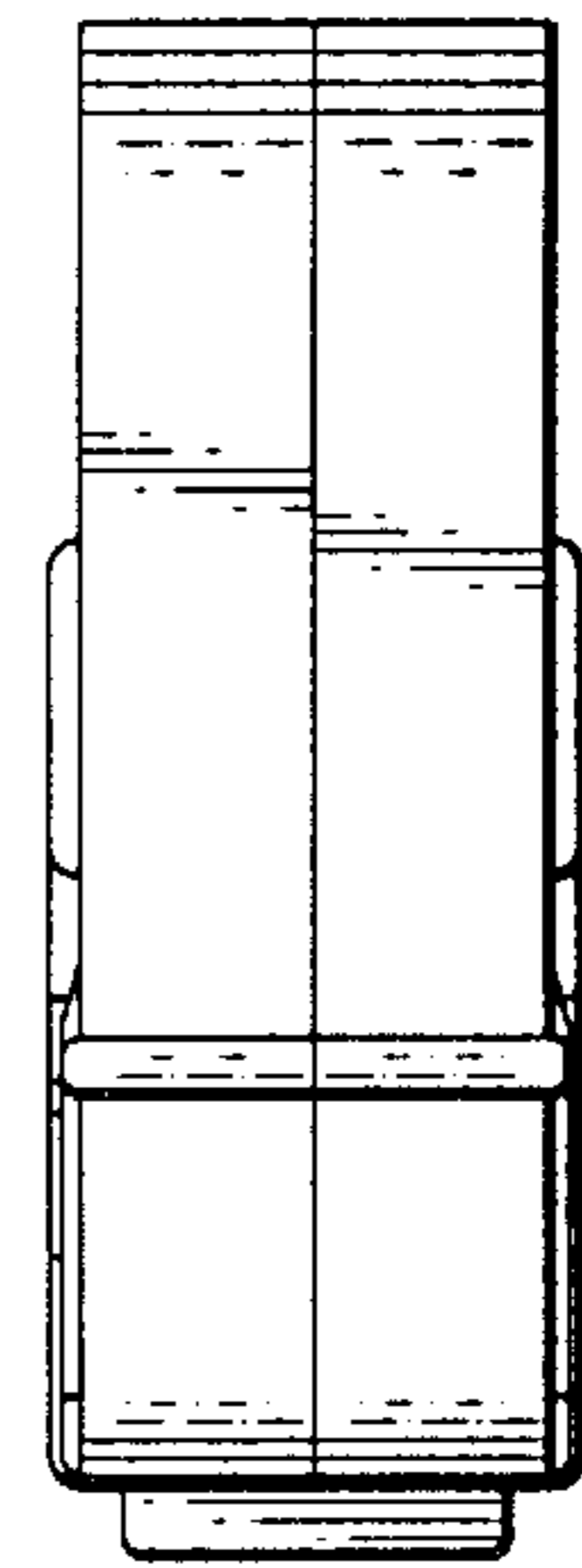
*Primary Examiner*—Antoine Duval Davis  
(74) *Attorney, Agent, or Firm*—Harris Zimmerman

**1 Claim, 1 Drawing Sheet**

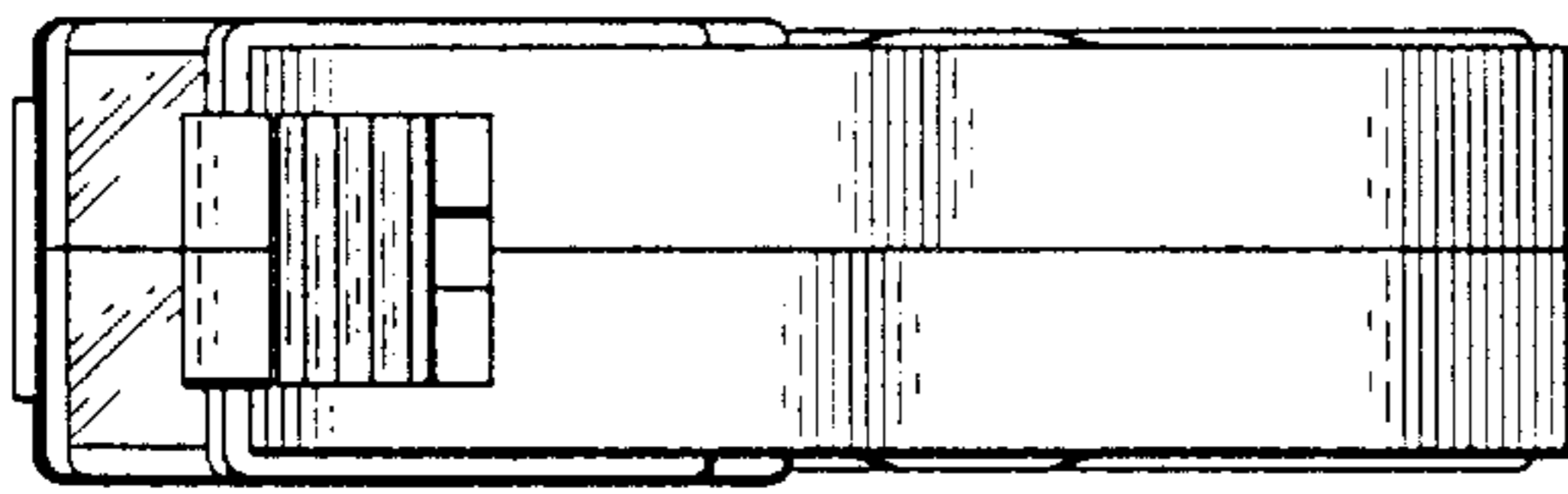




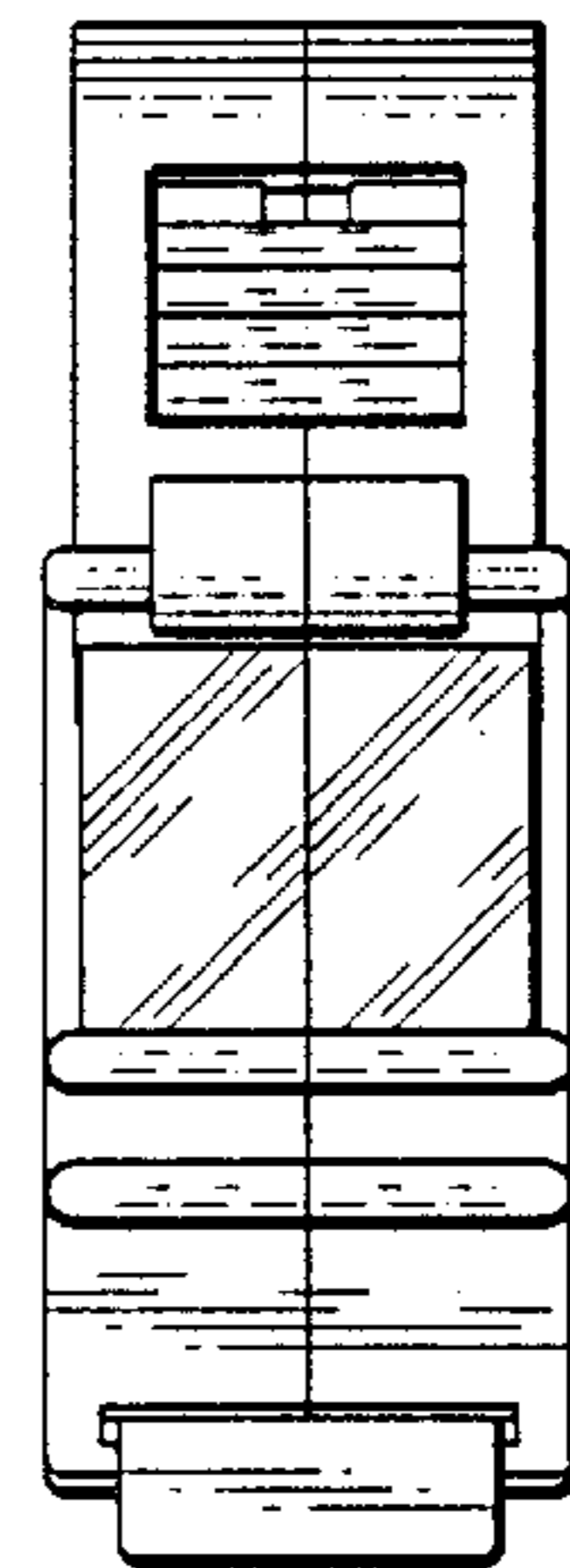
*Fig. 1*



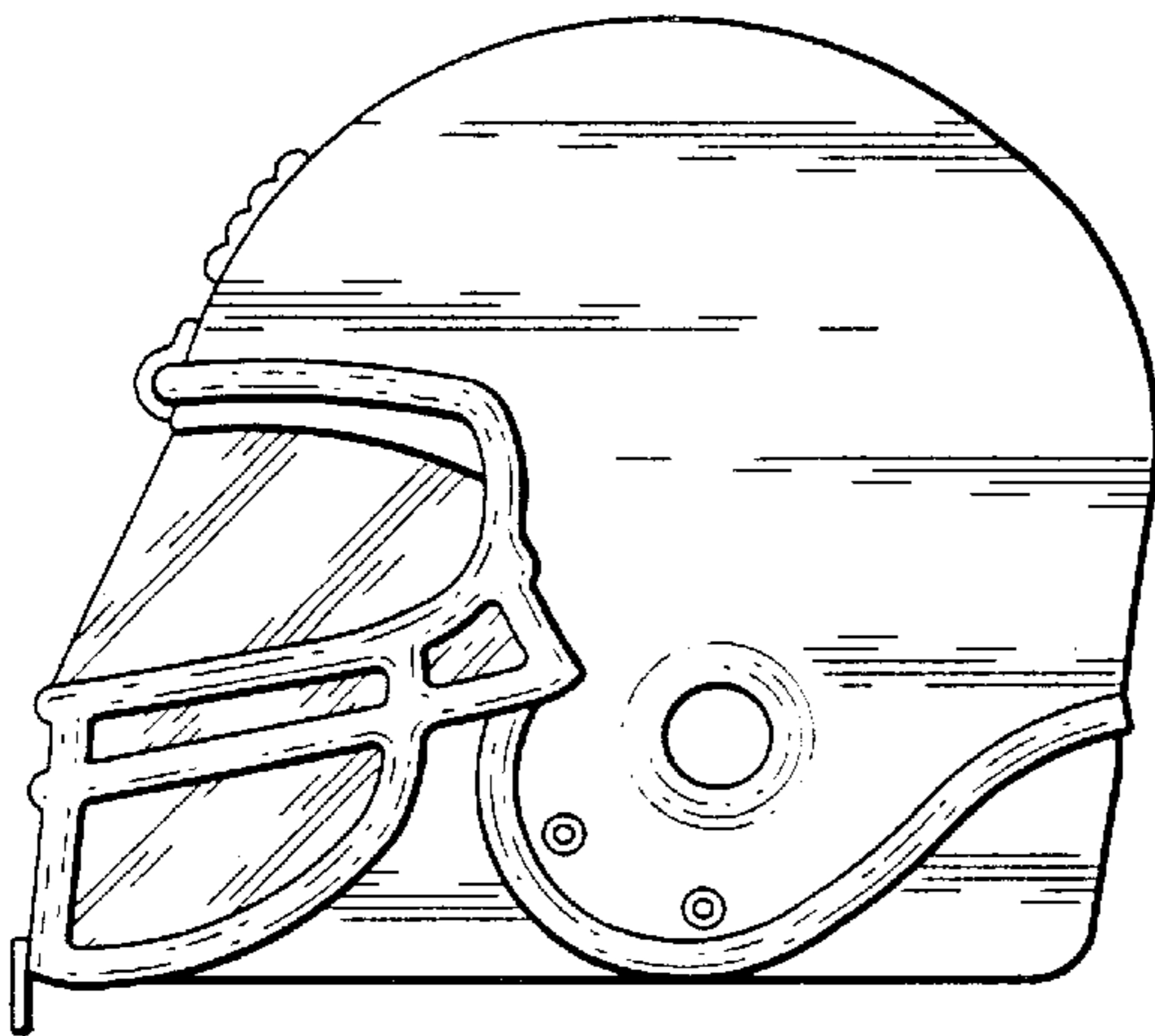
*Fig. 4*



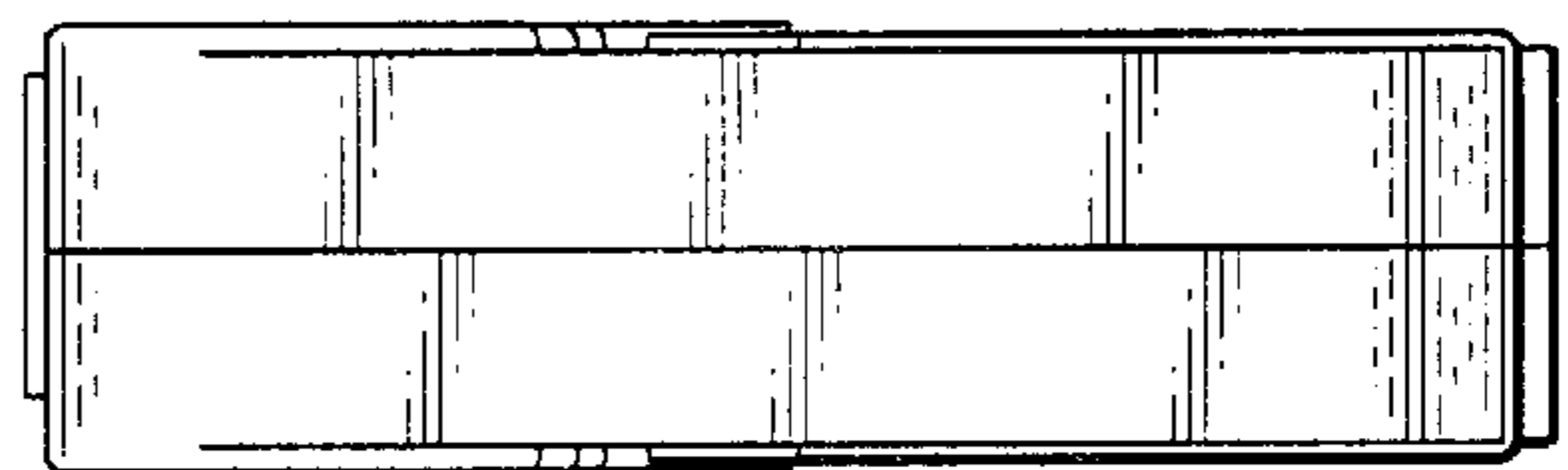
*Fig. 2*



*Fig. 5*



*Fig. 3*



*Fig. 6*

UNITED STATES PATENT AND TRADEMARK OFFICE  
**CERTIFICATE OF CORRECTION**

PATENT NO. : Des. 470,427 S  
DATED : February 18, 2003  
INVENTOR(S) : Eddie Lee Scurry

Page 1 of 1

It is certified that error appears in the above-identified patent and that said Letters Patent is hereby corrected as shown below:

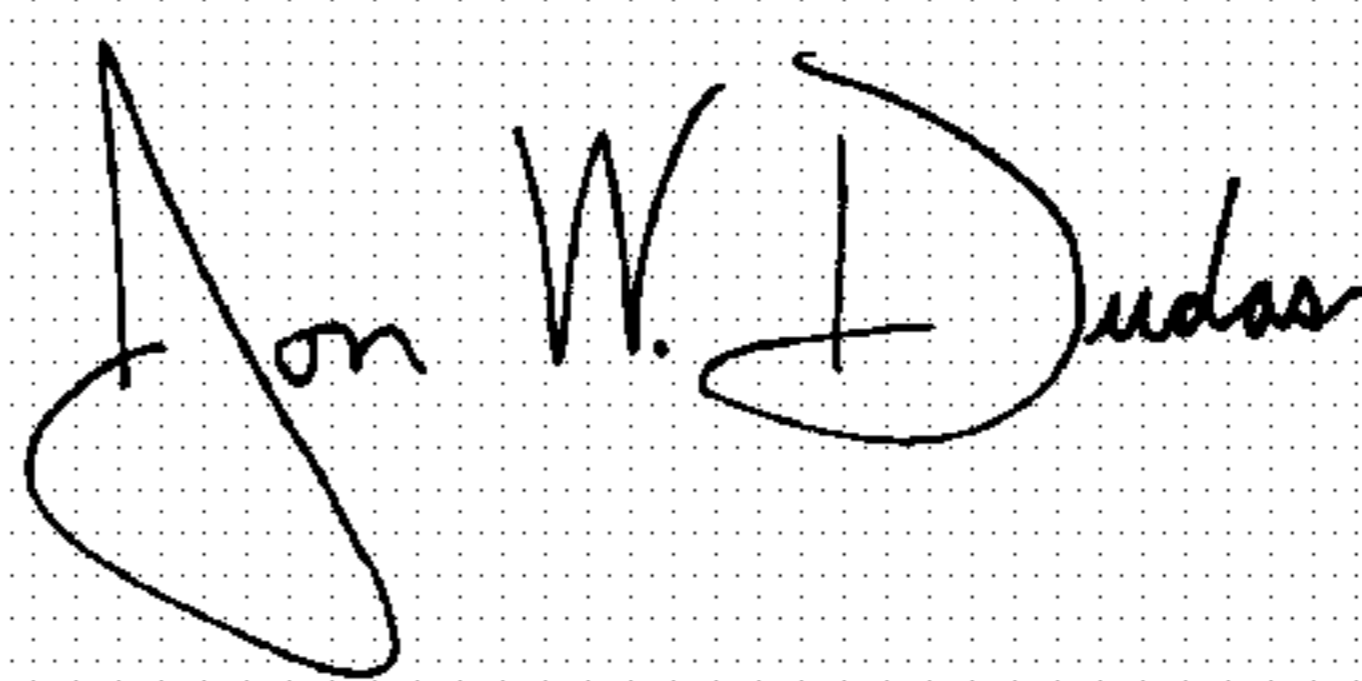
Title page,

Item [76], Inventor, the inventor's name should read:

-- **Eddie Lee Scurry III** --

Signed and Sealed this

Second Day of March, 2004

A handwritten signature in black ink on a dotted background. The signature reads "Jon W. Dudas" in a cursive style.

JON W. DUDAS

*Acting Director of the United States Patent and Trademark Office*