



US00D470426S

(12) **United States Design Patent**
Hebel

(10) **Patent No.:** **US D470,426 S**

(45) **Date of Patent:** **** Feb. 18, 2003**

(54) **WALL MOUNTED TAPE MEASURE**

(75) Inventor: **Thomas Hebel**, Hamburg (DE)

(73) Assignee: **seca GmbH**, Hamburg (DE)

(**) Term: **14 Years**

(21) Appl. No.: **29/156,772**

(22) Filed: **Mar. 8, 2002**

(30) **Foreign Application Priority Data**

Nov. 19, 2001 (XH) DM/058 275

(51) **LOC (7) Cl.** **10-04**

(52) **U.S. Cl.** **D10/72**

(58) **Field of Search** D10/72; 33/757,
33/758, 759, 761, 769, 770, 512

(56) **References Cited**

U.S. PATENT DOCUMENTS

2,711,030 A * 6/1955 Drew et al. 33/758
6,427,358 B1 * 8/2002 LeBon et al. 33/758

* cited by examiner

Primary Examiner—Antoine Duval Davis
(74) *Attorney, Agent, or Firm*—Nixon & Vanderhye P.C.

(57) **CLAIM**

The ornamental design for a “wall mounted tape measure”, as shown and described.

DESCRIPTION

FIG. 1 is a front elevation view of the tape measure for wall mounting according to the present invention; FIG. 2 is a side view of the invention (the opposite side being a mirror image thereof); FIG. 3 is a top plan view of the invention; FIG. 4 is a perspective view of the invention; FIG. 5 is a front elevation view of a second embodiment of the present invention of FIG. 1, the only difference being the lack of a circular back plate; FIG. 6 is a side view of the second embodiment of the invention (the opposite side being a mirror image thereof); FIG. 7 is a top plan view of the second embodiment of the invention; and, FIG. 8 is a perspective view of the second embodiment of the invention.

1 Claim, 2 Drawing Sheets

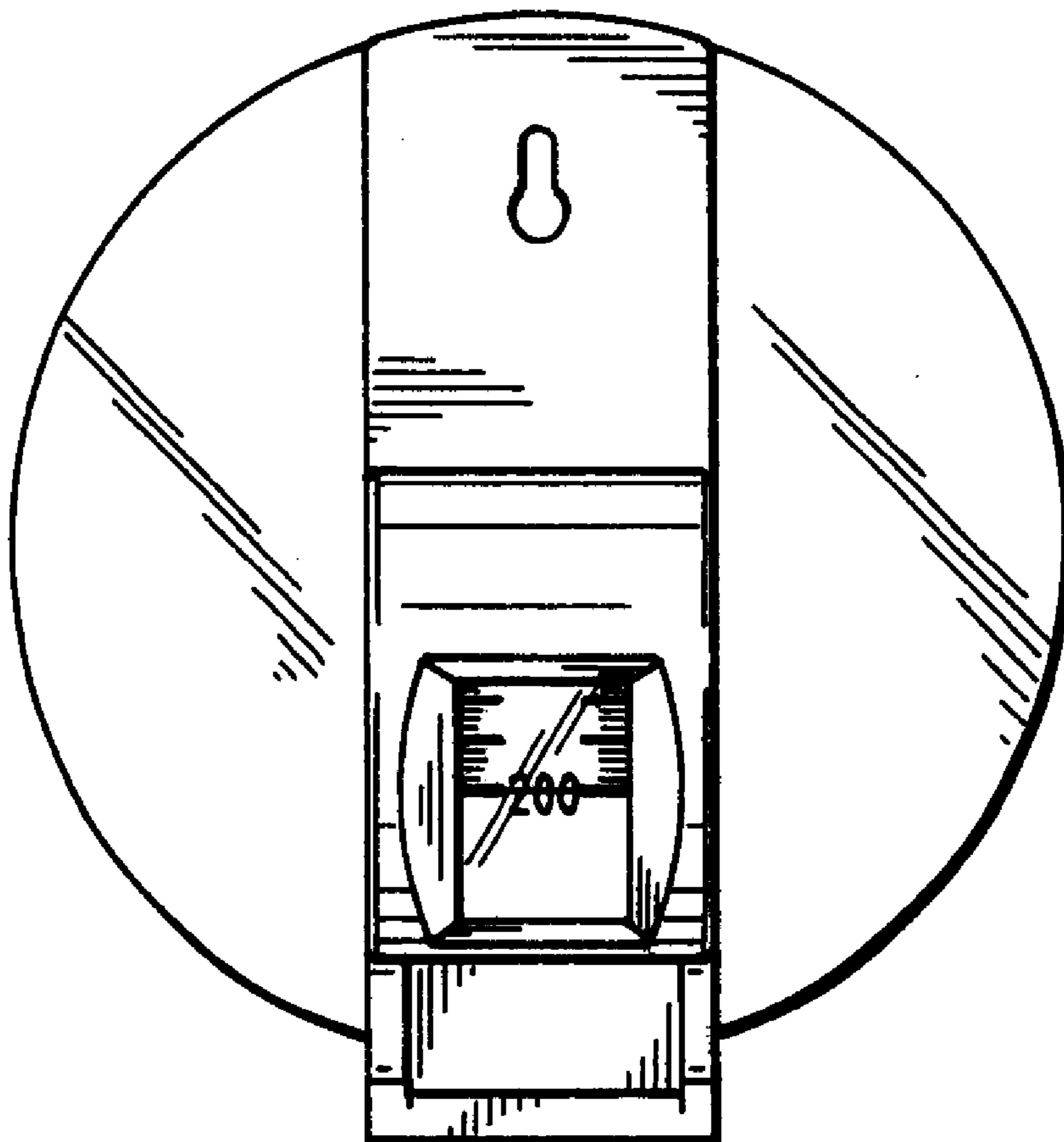


Fig. 1

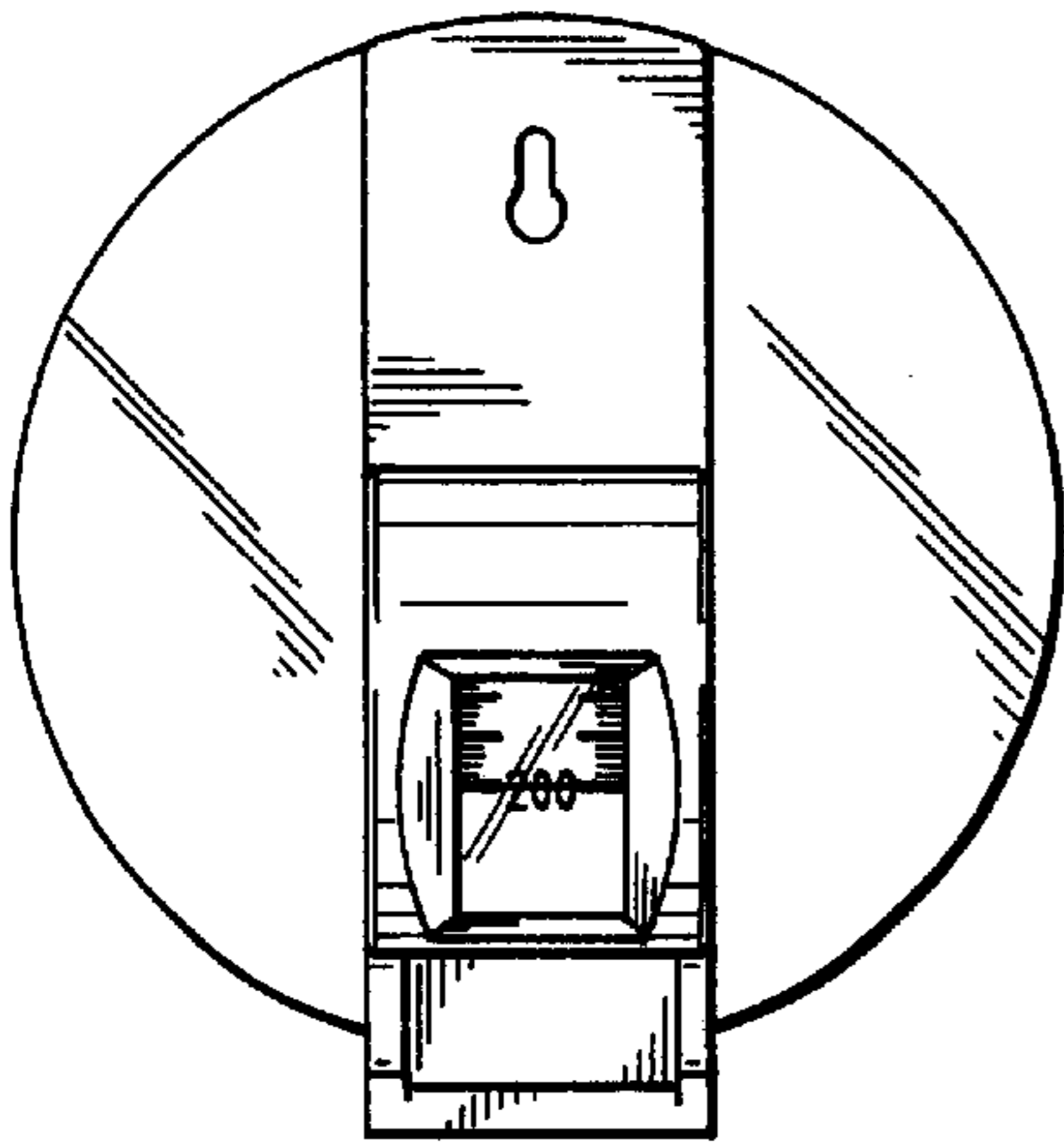


Fig. 2

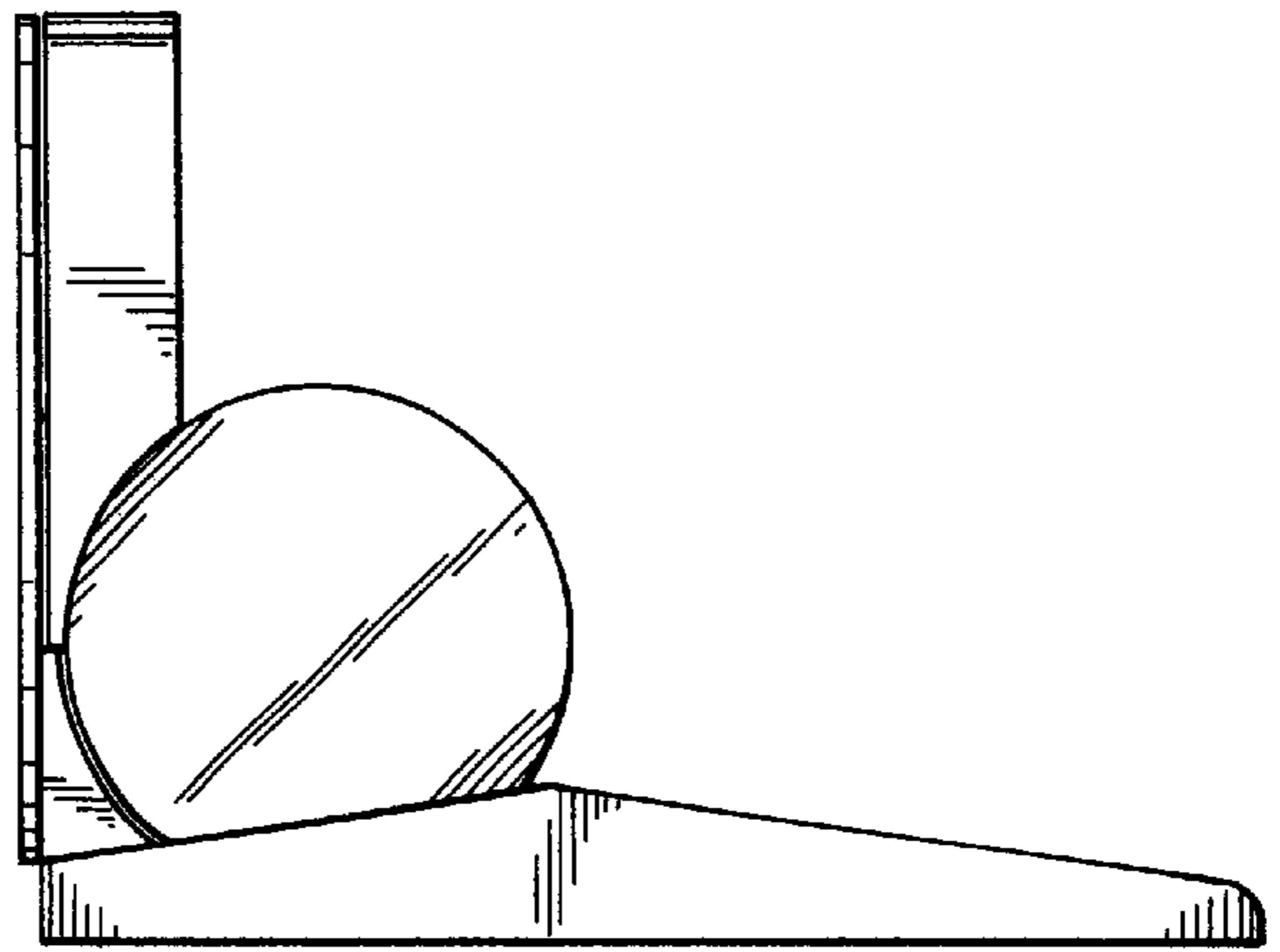


Fig. 3

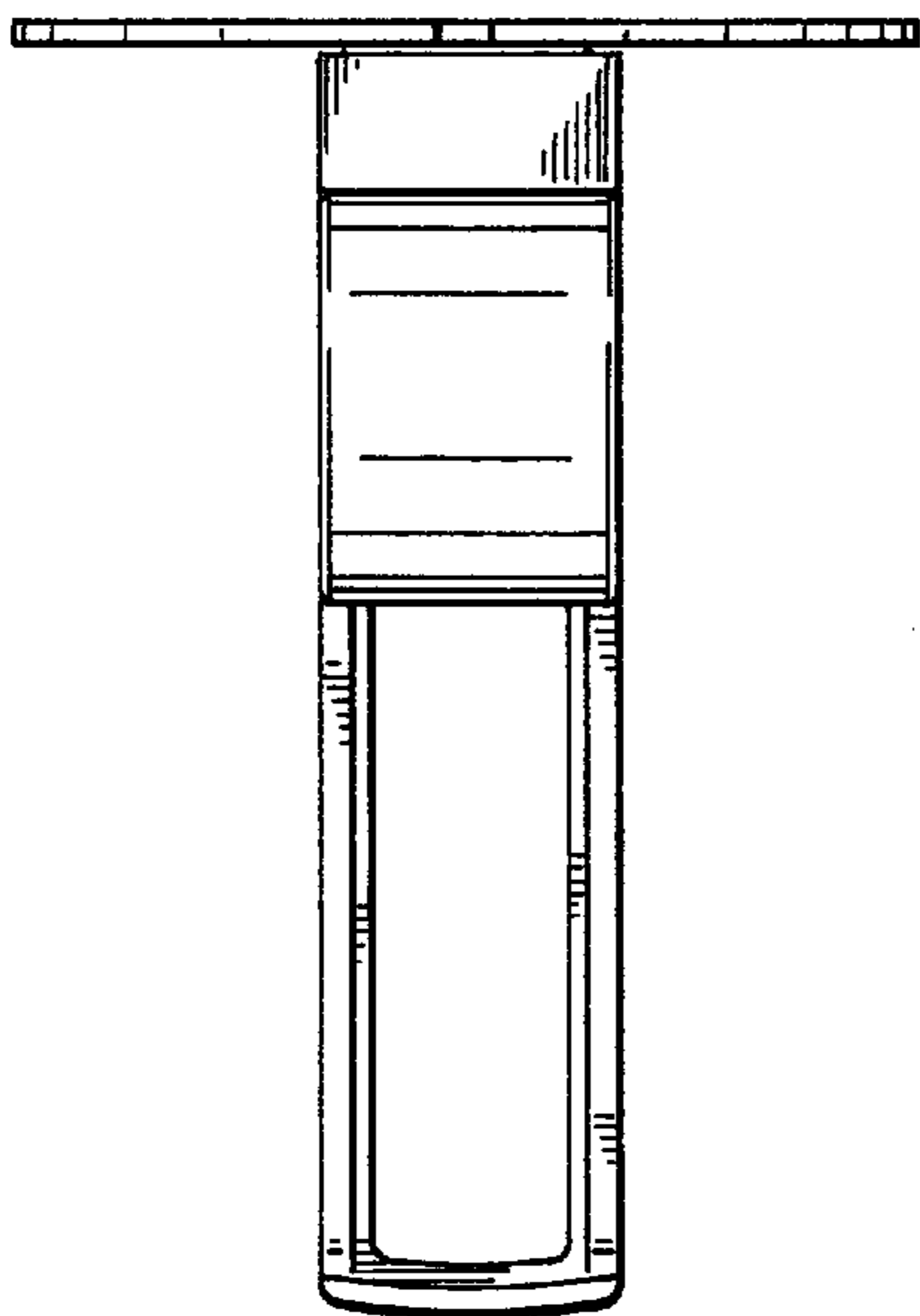


Fig. 4

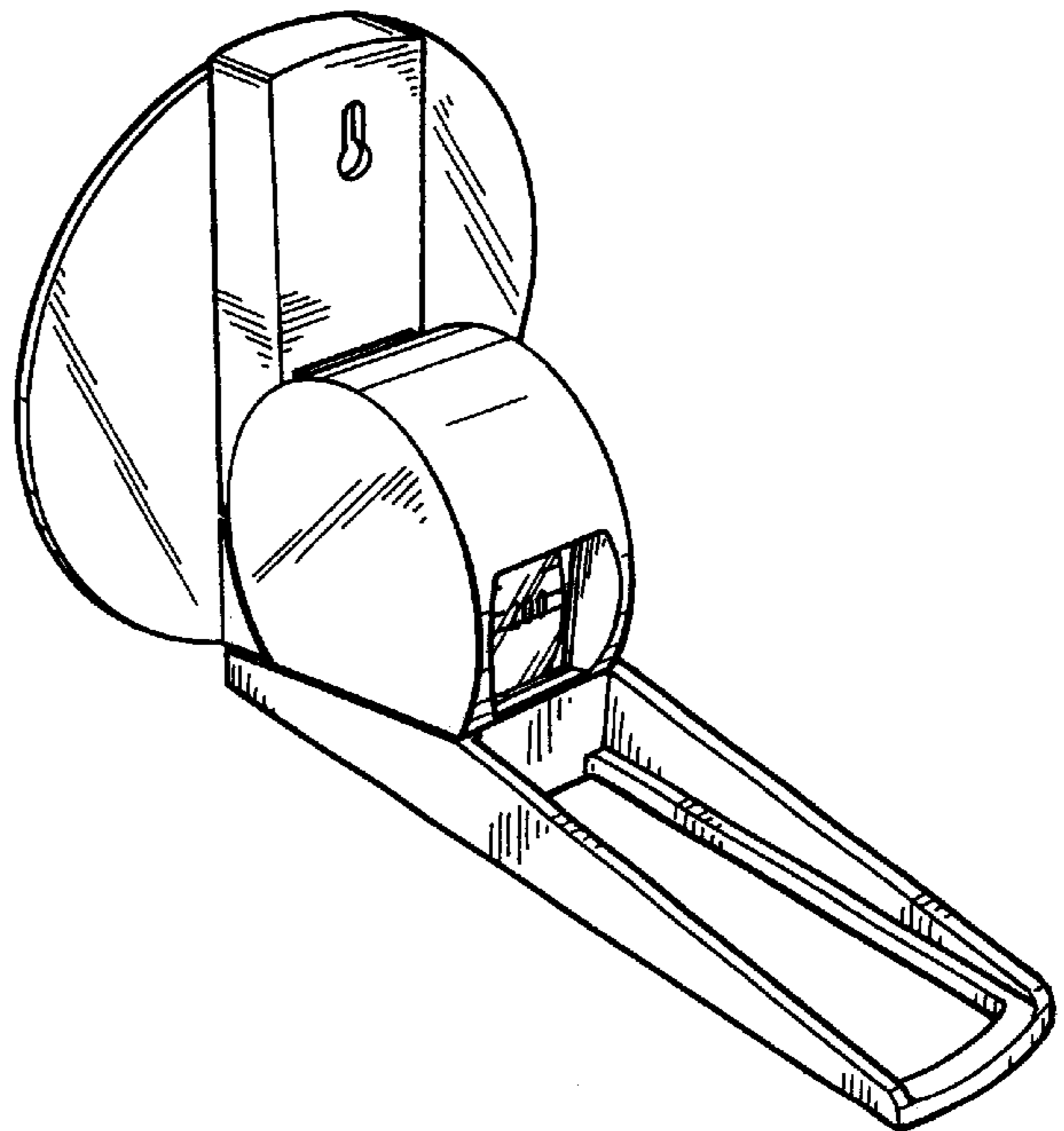


Fig. 5



Fig. 6

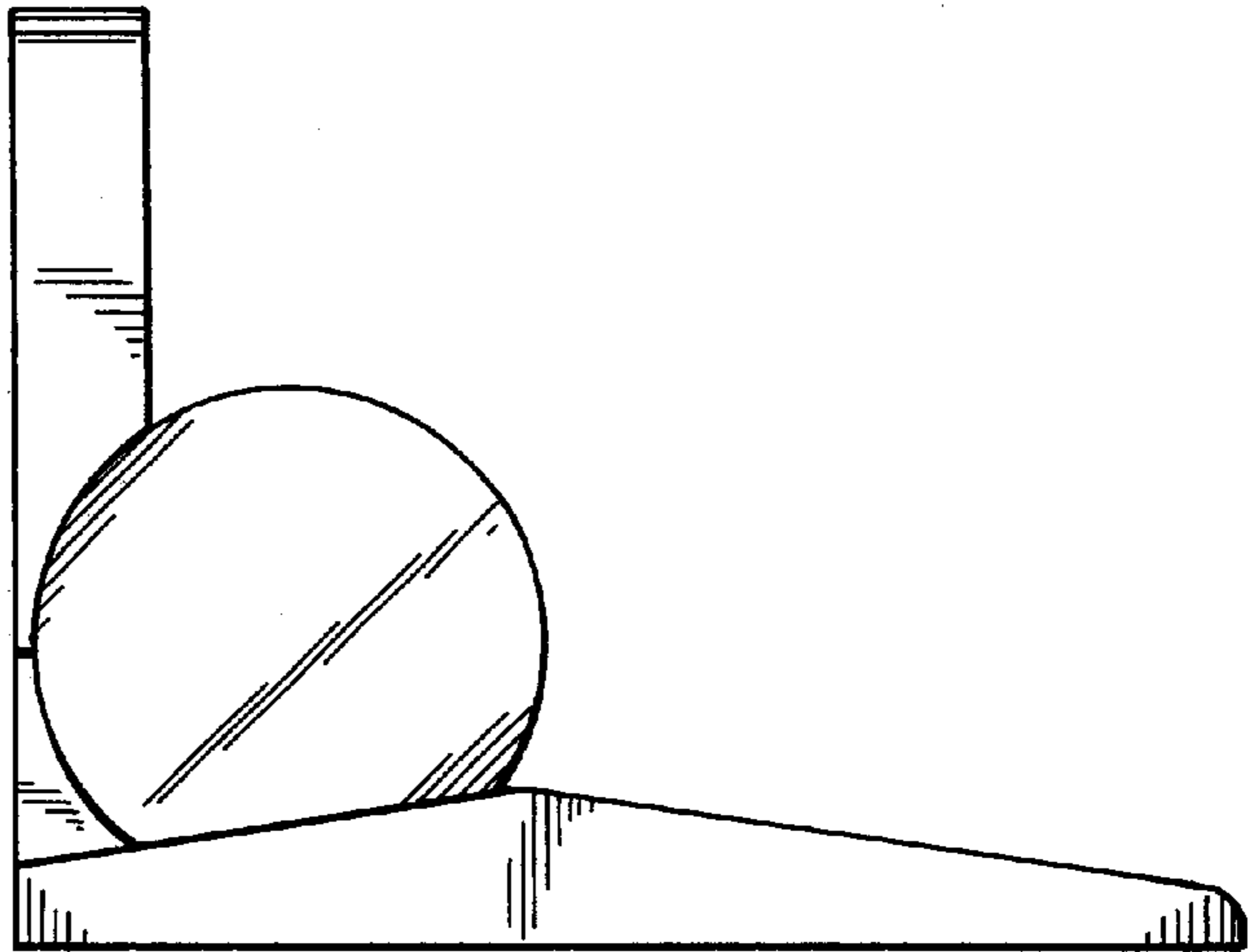


Fig. 7

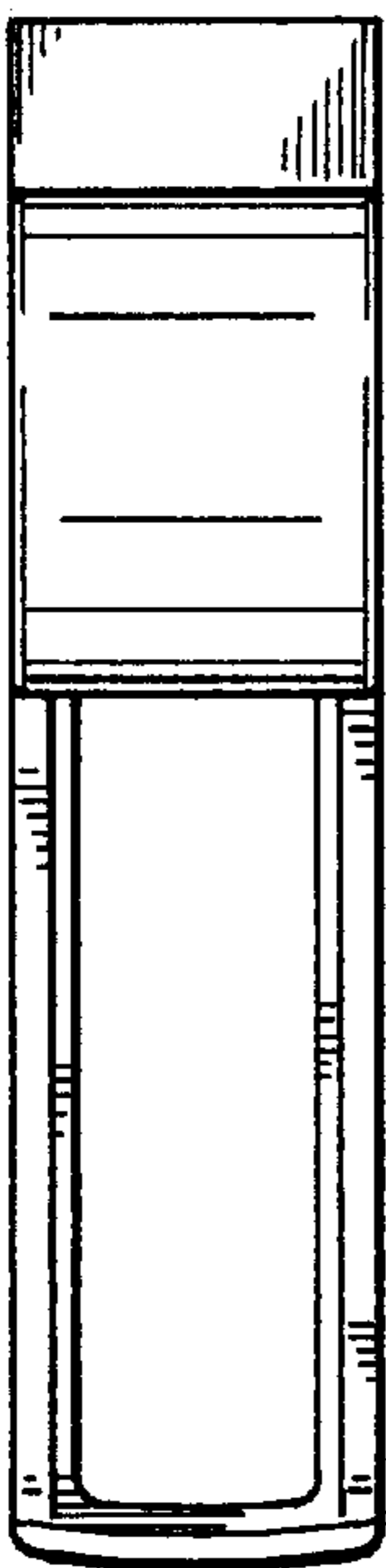


Fig. 8

