



US00D470424S

(12) **United States Design Patent**  
**Hand et al.**

(10) **Patent No.:** **US D470,424 S**

(45) **Date of Patent:** **\*\* Feb. 18, 2003**

(54) **SELF LEVELING ROTARY LASER**

(75) Inventors: **James C. Hand**, Glen Ellyn, IL (US);  
**Michael M. Zhang**, Schaumburg, IL (US)

(73) Assignee: **Chicago Steel Tape Company**,  
Watseka, IL (US)

(\*\*) Term: **14 Years**

(21) Appl. No.: **29/157,981**

(22) Filed: **Mar. 27, 2002**

(51) **LOC (7) Cl.** ..... **10-04**

(52) **U.S. Cl.** ..... **D10/69**

(58) **Field of Search** ..... D10/69; 33/291,  
33/295, DIG. 21; 356/138, 249, 250; 372/9-30

(56) **References Cited**

**U.S. PATENT DOCUMENTS**

- 3,936,197 A 2/1976 Aldrink et al.
- 4,062,634 A 12/1977 Rando et al.
- 4,679,937 A 7/1987 Cain et al.
- 5,644,850 A 7/1997 Costales
- 5,680,208 A 10/1997 Butler et al.
- 5,983,510 A 11/1999 Wu et al.
- D418,432 S \* 1/2000 Krantz ..... D10/69

**OTHER PUBLICATIONS**

- Levelite Technology Inc. laser level literature.
- Hilti PR Series laser level literature.
- Sokkia LP21-LP22 laser level literature.
- Bosch BL 50 R laser level literature.

- Bosch BL 100 VHR laser level literature.
- Topcon laser level brochure.
- Topcon RL-VH3 laser level literature.
- Topcon RL-H1S/H2S laser level literature.
- Topcon RL-VH laser level literature.
- Topcon RL-H/RL-60 Series laser level literature.
- Topcon RL-VH3 Series laser level literature.
- Pro Shot laser level literature.
- David White Auto Laser laser level literature.
- Laser Alignment LB-1000 laser level literature.
- Pacific Laser laser level literature, Jan. 24, 2001.
- Toolz, Inc. laser level literature.

\* cited by examiner

*Primary Examiner*—Antoine Duval Davis

(74) *Attorney, Agent, or Firm*—Lee, Mann, Smith,  
McWilliams, Sweeney and Ohlson

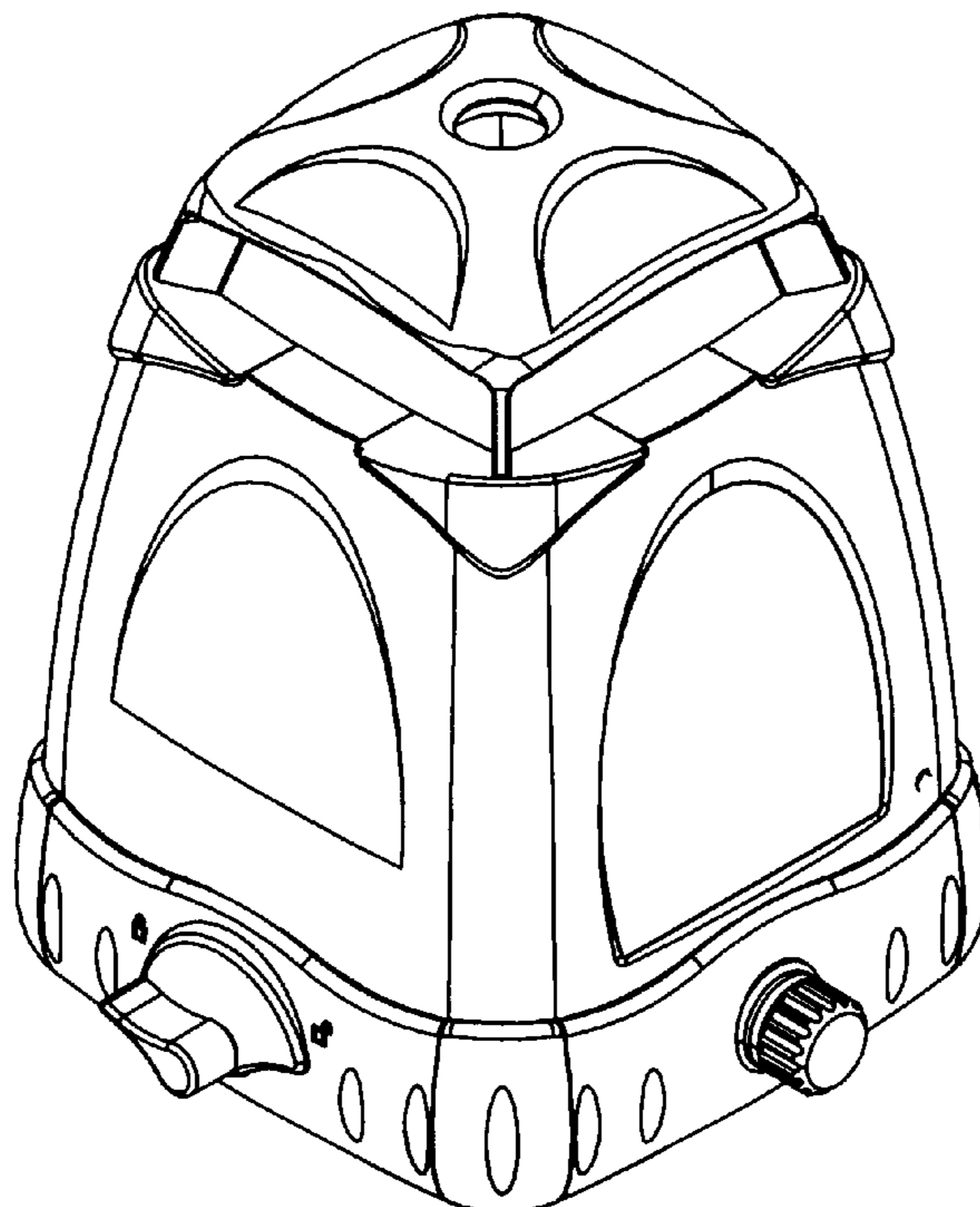
(57) **CLAIM**

The ornamental design for a self leveling rotary laser, as shown and described.

**DESCRIPTION**

FIG. 1 is a top view of a new design for a self leveling rotary laser according to our invention;  
 FIG. 2 is a front view thereof;  
 FIG. 3 is a perspective view illustrating the front and left view thereof;  
 FIG. 4 is a left view thereof;  
 FIG. 5 is another perspective view illustrating the right and rear view thereof; and,  
 FIG. 6 is a right view thereof.

**1 Claim, 3 Drawing Sheets**



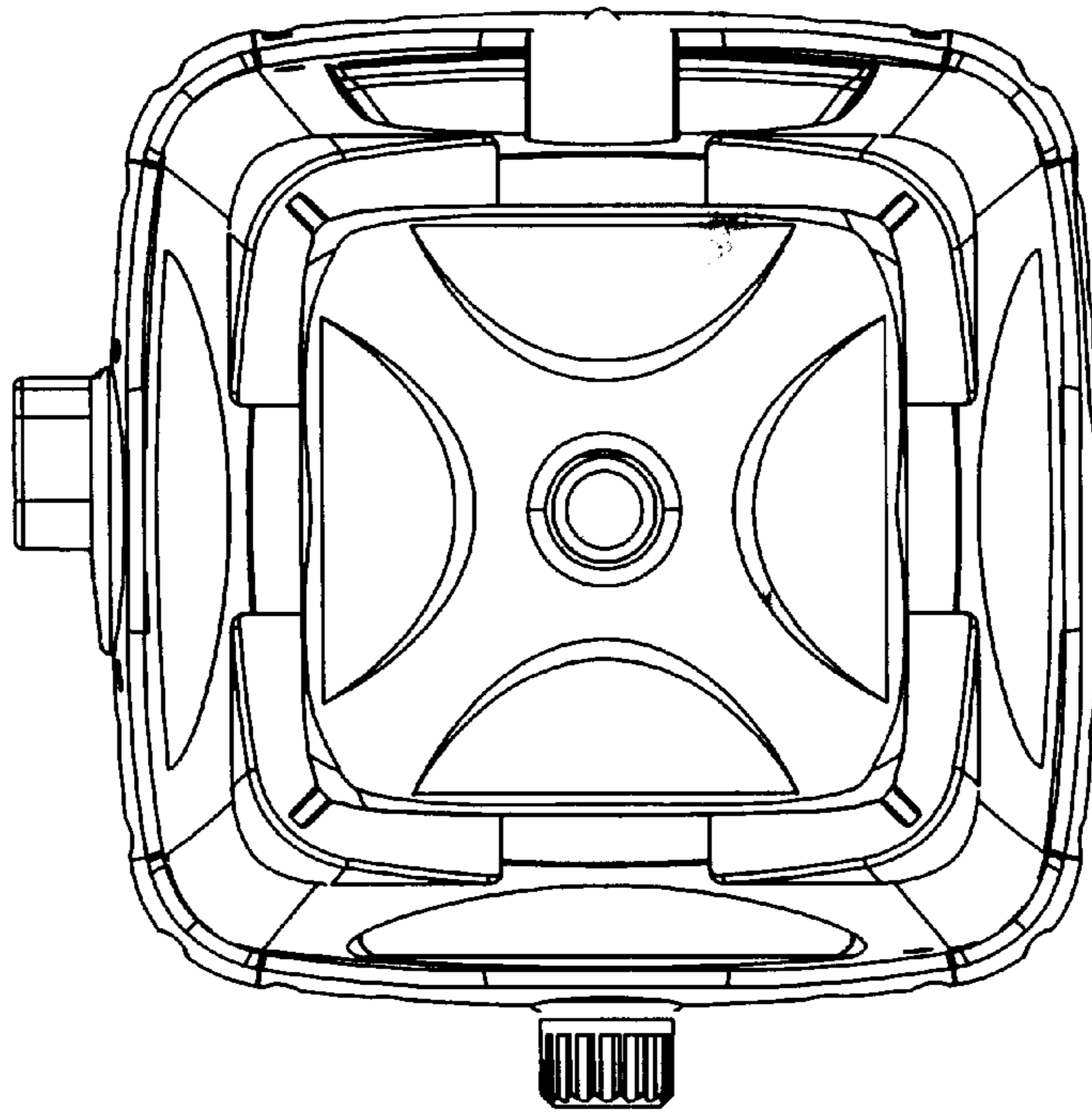


Fig. 1

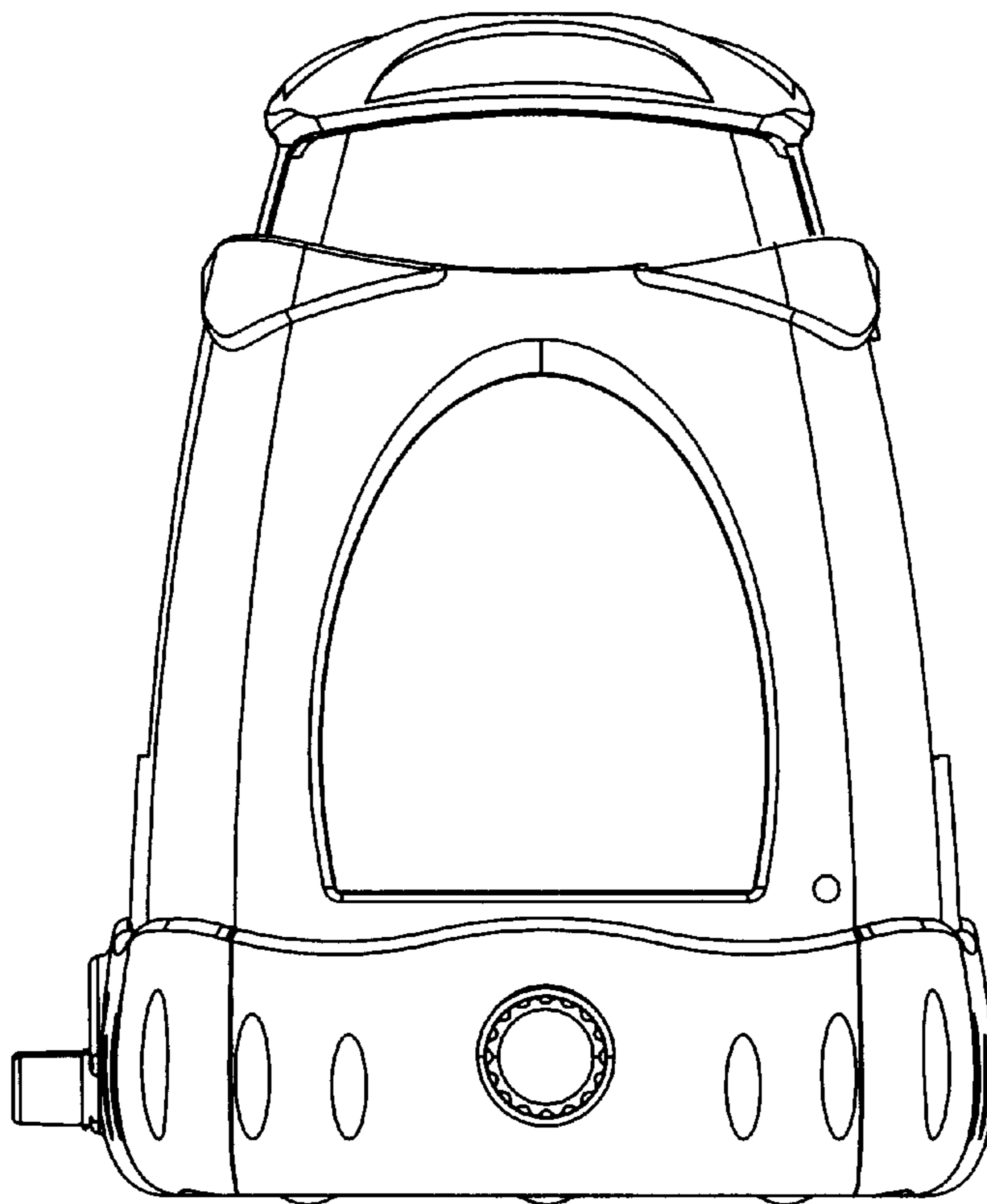


Fig. 2

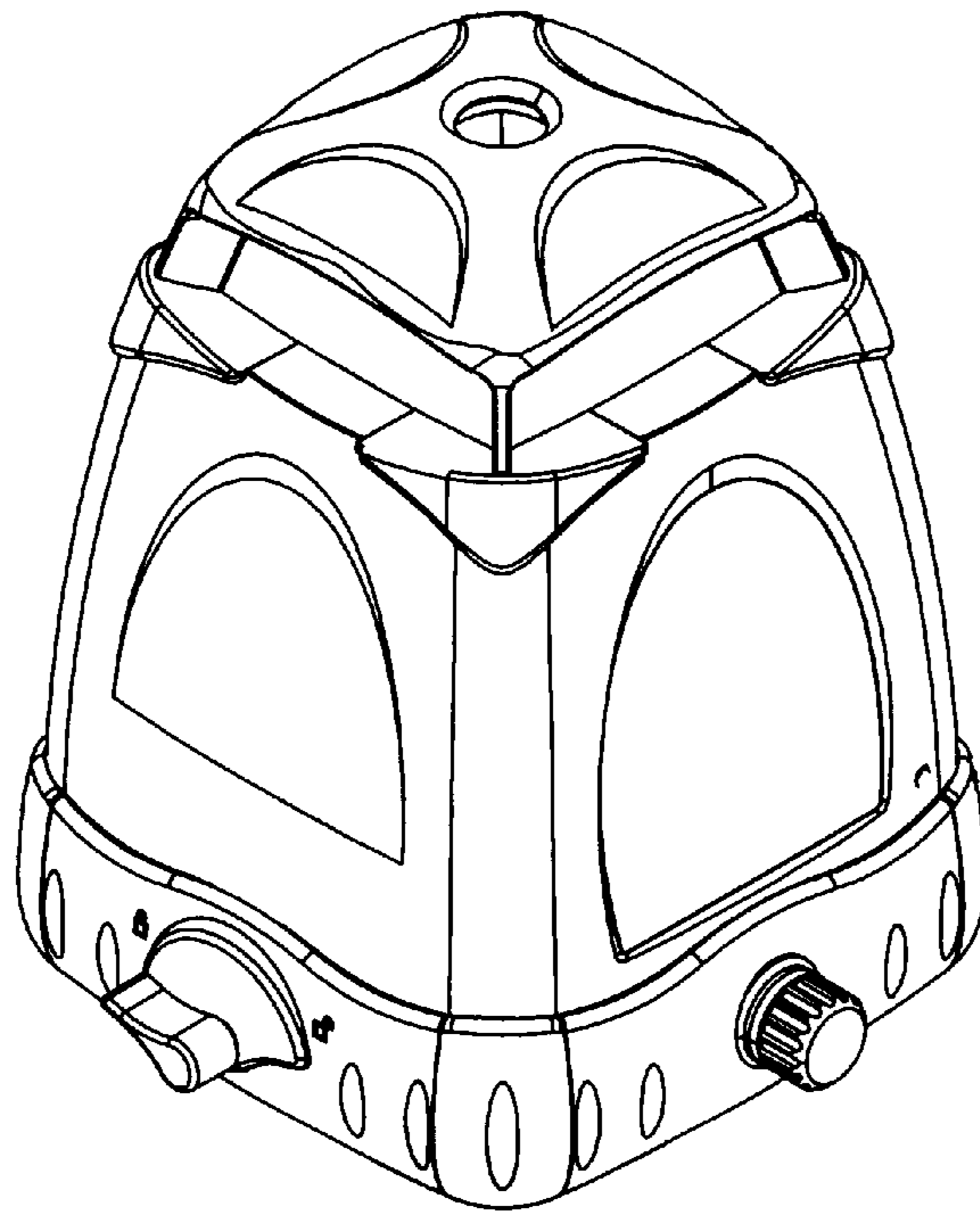


Fig. 3

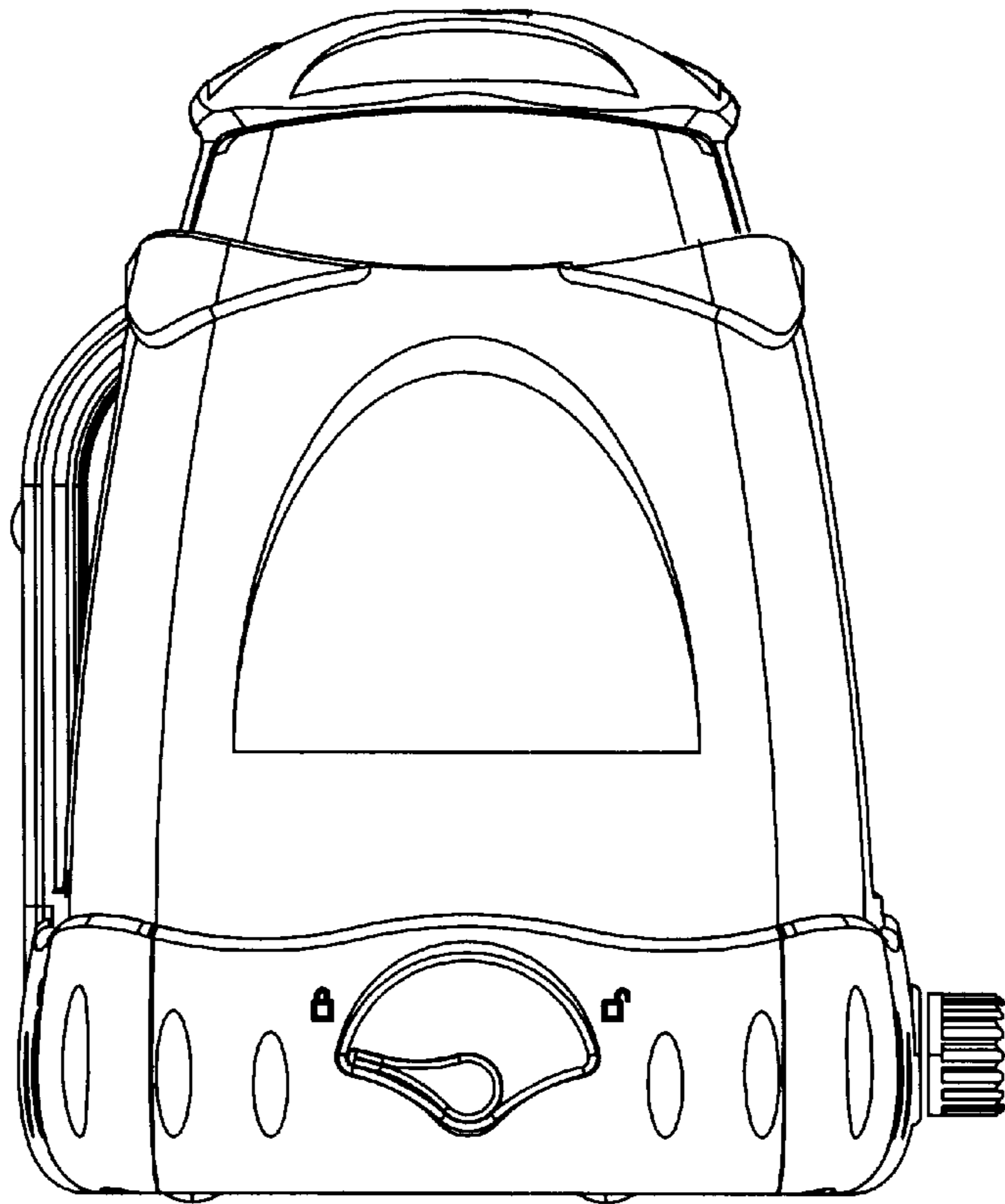


Fig. 4

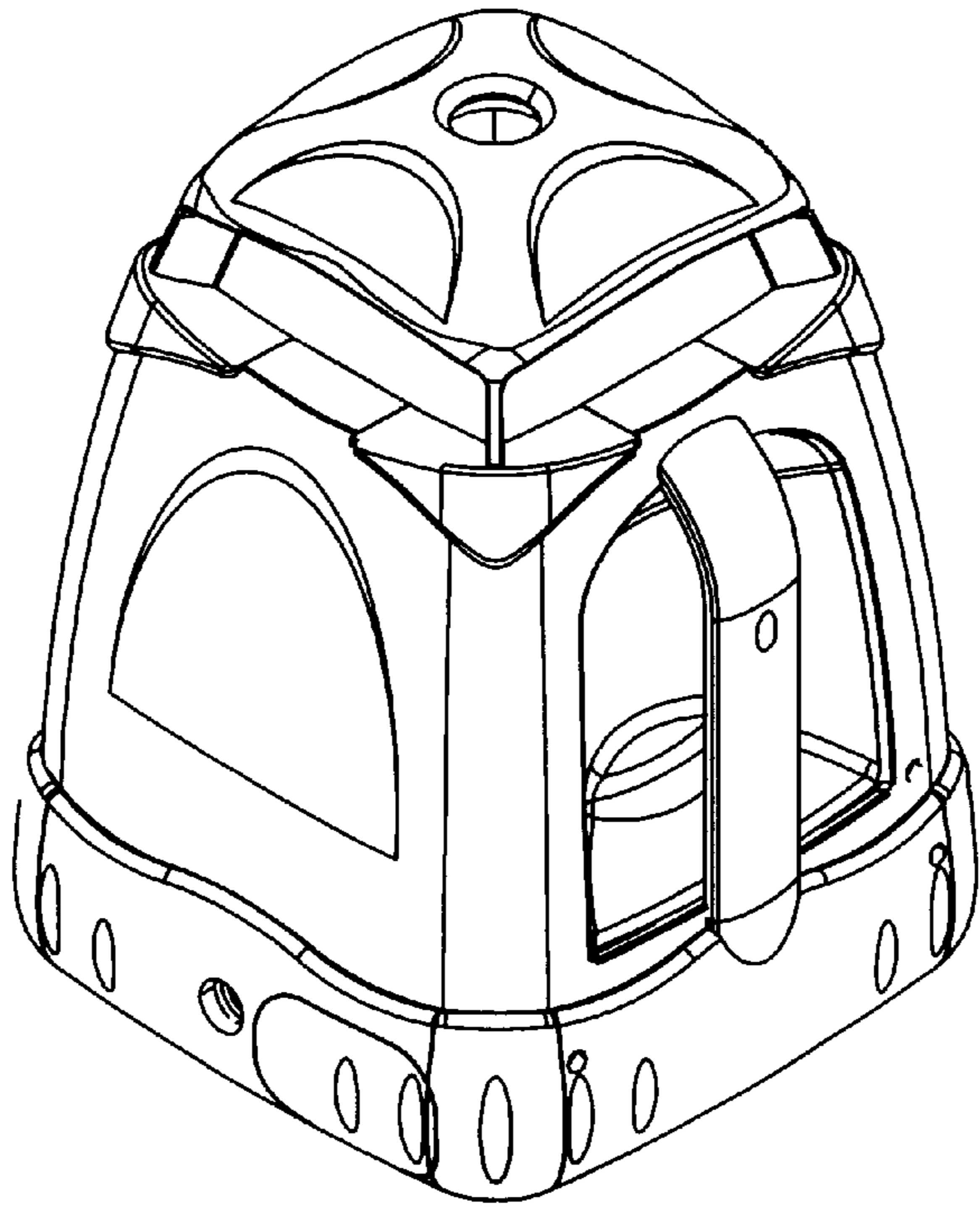


Fig. 5

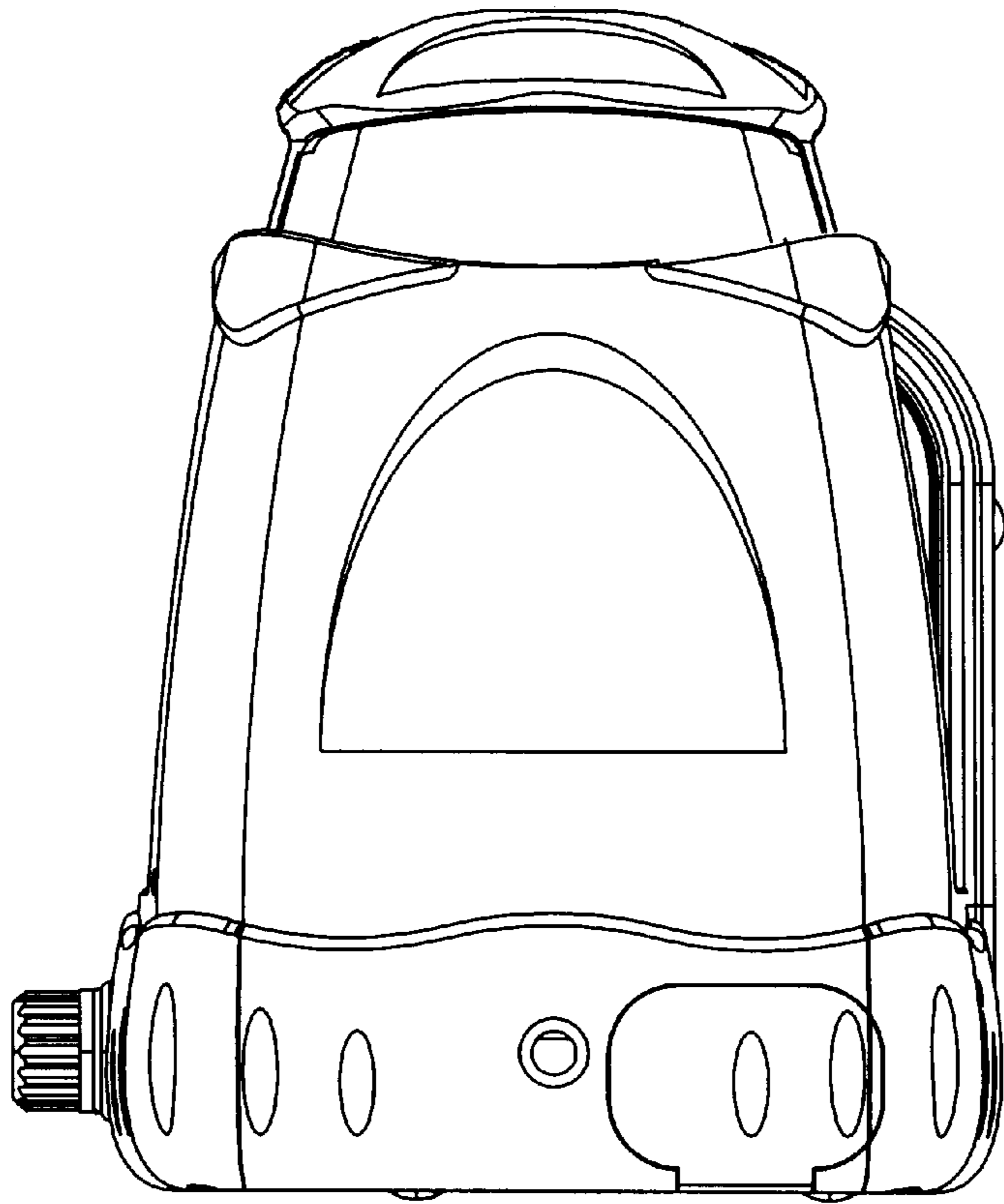


Fig. 6