



US00D470423S

(12) **United States Design Patent** (10) **Patent No.:** **US D470,423 S**  
**Loudenslager et al.** (45) **Date of Patent:** **\*\* Feb. 18, 2003**

(54) **MANUAL LEVELING ROTATING LASER WITH SWIVEL HEAD**

D461,135 S \* 8/2002 Watson et al. .... D10/69

\* cited by examiner

(75) Inventors: **John H. Loudenslager**, Phoenix, AZ (US); **Fabrice J. Malard**, Pleasant Prairie, WI (US)

*Primary Examiner*—Antoine Duval Davis  
(74) *Attorney, Agent, or Firm*—Brinks Hofer Gilson & Lione

(73) Assignee: **American Tool Companies, Inc.**, Hoffman Estates, IL (US)

(57) **CLAIM**

(\*\*) Term: **14 Years**

The ornamental design for a manual leveling rotating laser with swivel head, as shown and described.

(21) Appl. No.: **29/156,470**

**DESCRIPTION**

(22) Filed: **Mar. 1, 2002**

(51) **LOC (7) Cl.** ..... **10-04**

(52) **U.S. Cl.** ..... **D10/69**

(58) **Field of Search** ..... D10/69, 114; 33/286, 33/290–295, DIG. 21, 263, 279; 340/468, 472; 353/28, 121, 122; 364/468.01, 468.21, 468.25; 395/125, 201–204; 378/204–207

FIG. 1 is a perspective view of a first embodiment of a manual leveling rotating laser with swivel head, showing our design, in a first position;

FIG. 2 is a right-side elevational view of the embodiment of FIG. 1;

FIG. 3 is a left-side elevational view, showing the side opposite that in FIG. 2;

FIG. 4 is a front elevational view of the embodiment of FIG. 1;

FIG. 5 is a rear elevational view, showing the side opposite that in FIG. 4;

FIG. 6 is a top plan view of the embodiment of FIG. 1;

FIG. 7 is a bottom plan view of the embodiment of FIG. 1;

FIG. 8 is a perspective view of an alternative embodiment of the manual leveling rotating laser with swivel head in a second position;

FIG. 9 is a right-side elevational view of the embodiment of FIG. 8;

FIG. 10 is a left-side elevational view showing the side opposite that in FIG. 9;

FIG. 11 is a front elevational view of the embodiment of FIG. 8;

FIG. 12 is a rear elevational view showing the side opposite that in FIG. 11;

FIG. 13 is a top plan view of the embodiment of FIG. 8;

FIG. 14 is a bottom plan view of the embodiment of FIG. 8; and,

FIG. 15 is an additional right-side elevational view of the embodiments of FIGS. 1 and 8 depicting alternate positions of the lens.

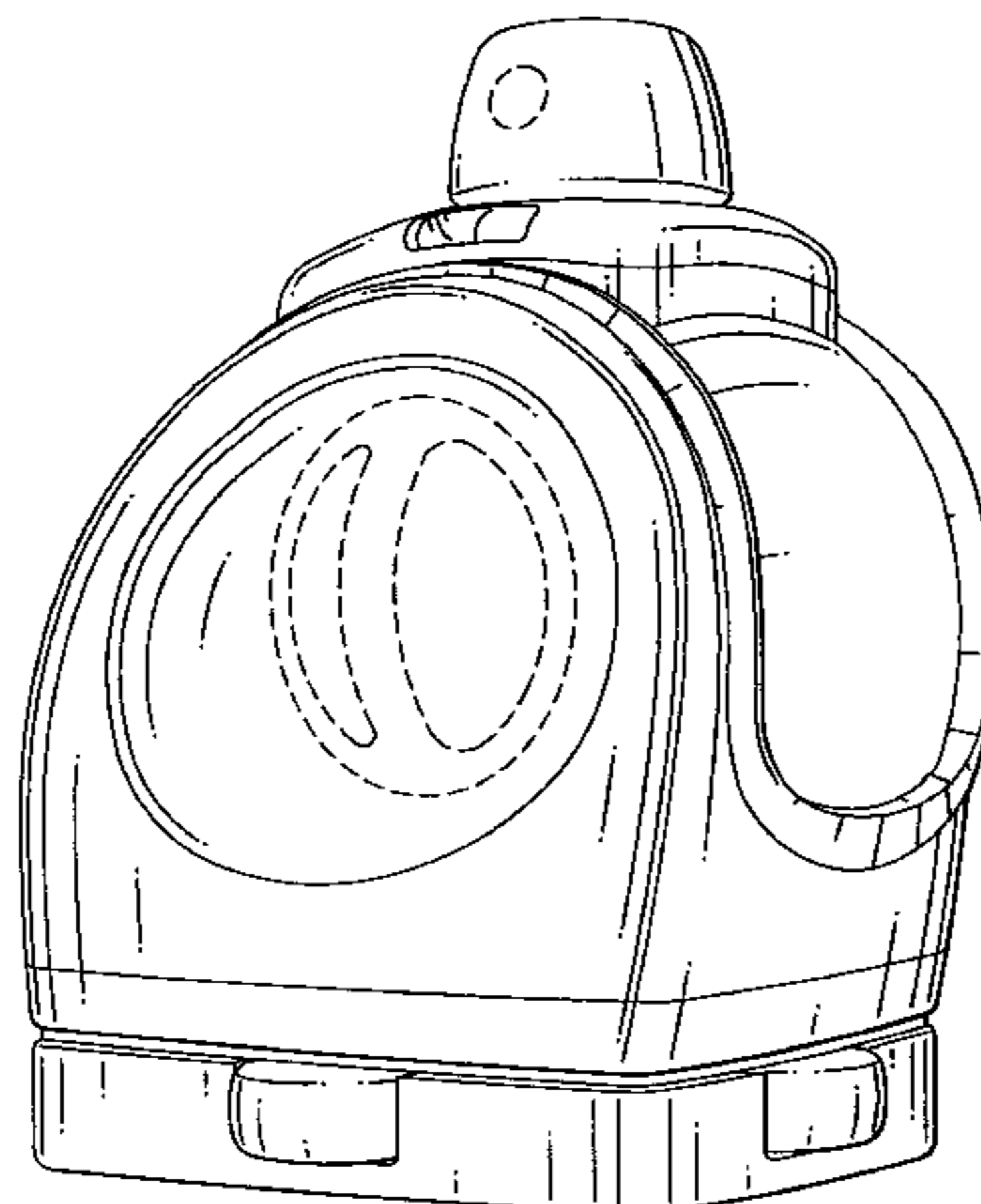
The dotted lines form no part of the claimed design.

(56) **References Cited**

**U.S. PATENT DOCUMENTS**

3,628,874 A	12/1971	Tagnon	
4,751,782 A	6/1988	Ammann	
4,912,851 A	4/1990	Rando et al.	
5,075,977 A	12/1991	Rando	
5,144,487 A	9/1992	Hersey	
5,243,398 A	9/1993	Nielsen	
5,287,627 A	2/1994	Rando	
5,459,932 A	10/1995	Rando et al.	
5,524,352 A	6/1996	Rando et al.	
5,539,990 A	7/1996	Le	
5,594,993 A	1/1997	Tager et al.	
5,610,711 A	3/1997	Rando	
5,619,802 A	4/1997	Rando et al.	
5,621,975 A	4/1997	Rando	
5,864,956 A	2/1999	Dong	
5,872,657 A	2/1999	Rando	
5,907,907 A	6/1999	Ohtomo et al.	
5,917,587 A	6/1999	Rando	
5,983,510 A	11/1999	Wu et al.	
5,992,029 A	11/1999	Dong	
6,005,716 A	12/1999	Ligtenberg et al.	
6,069,748 A	5/2000	Bietry	
6,314,650 B1 *	11/2001	Falb	33/286

**1 Claim, 13 Drawing Sheets**



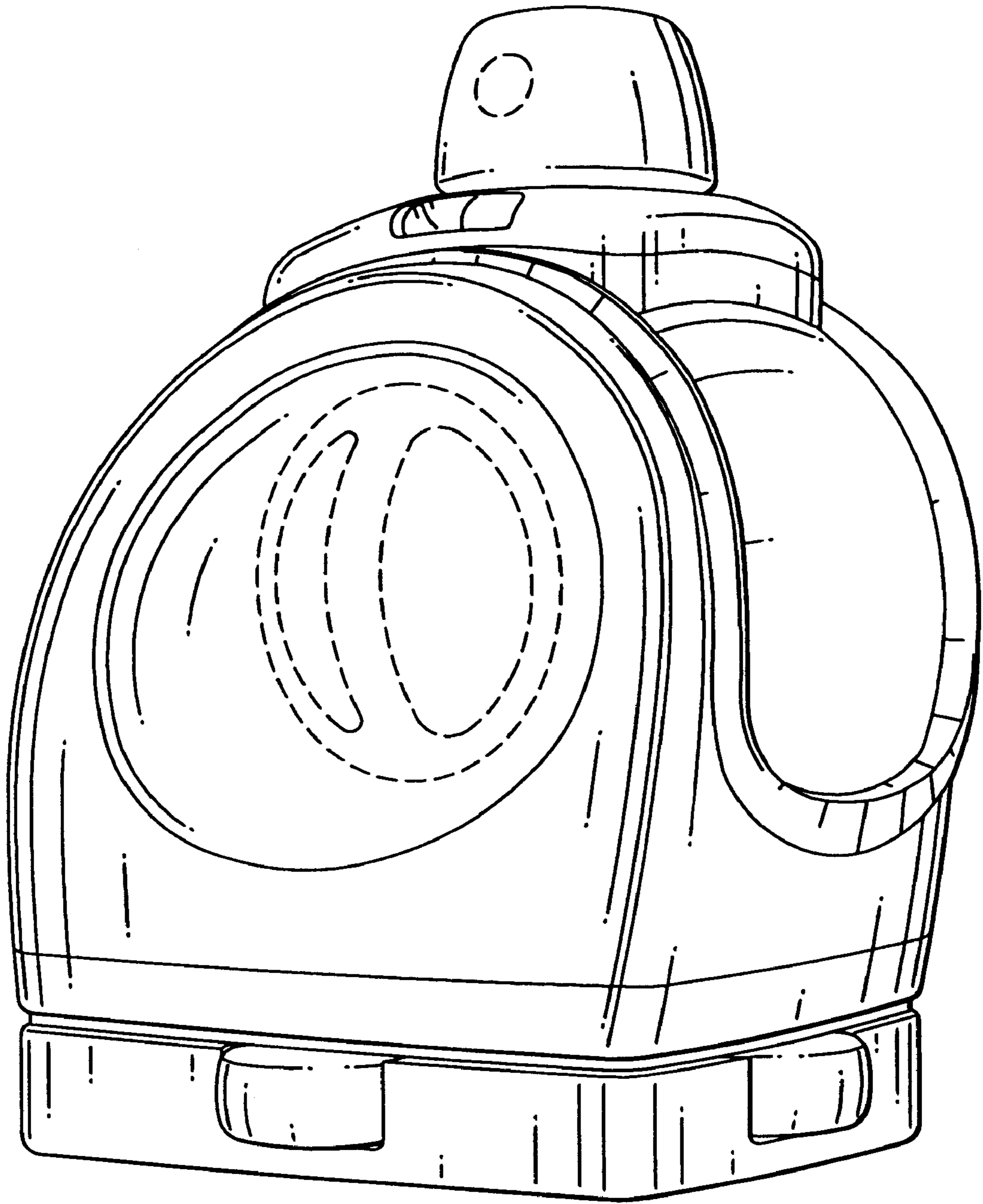


FIG. 1

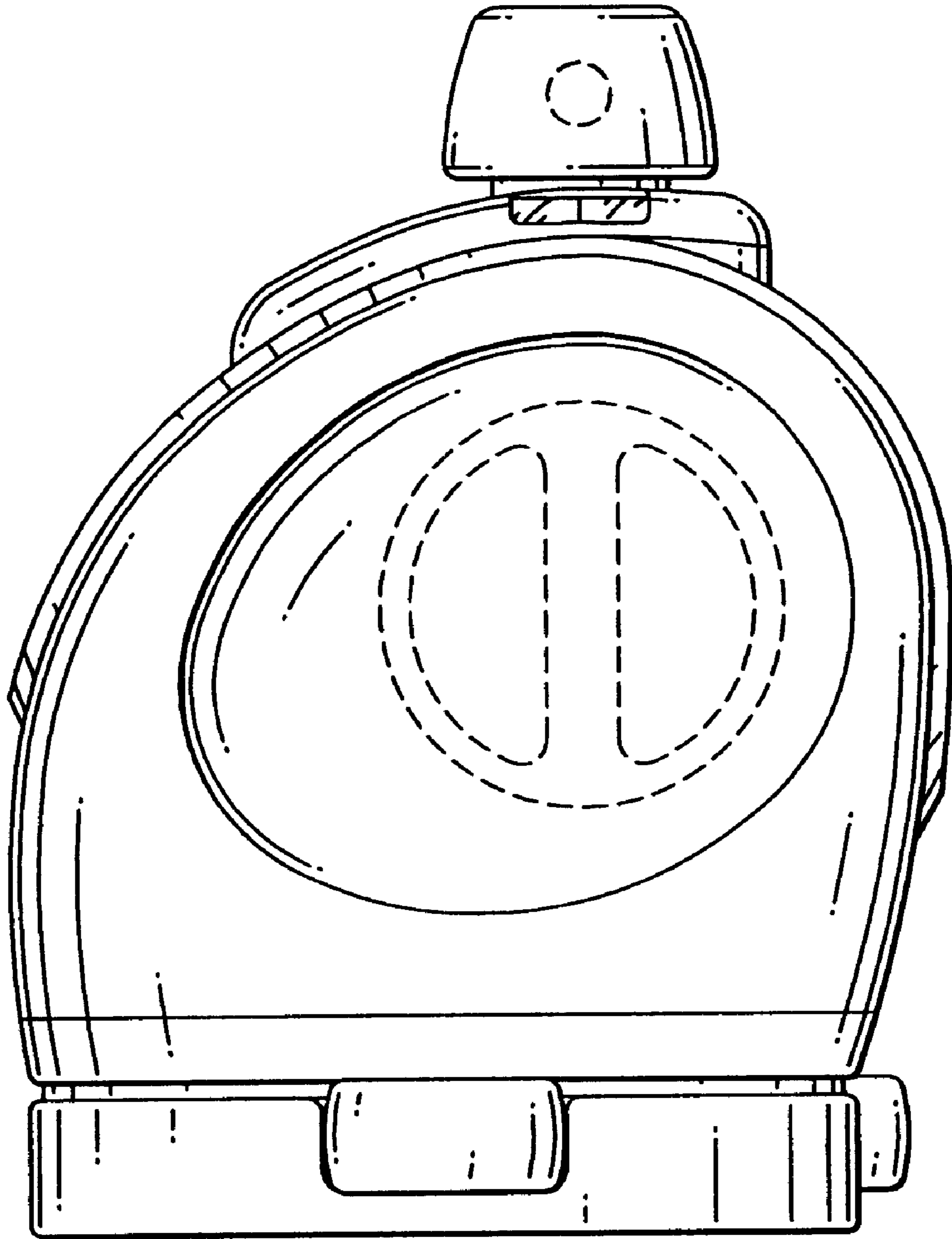


FIG. 2

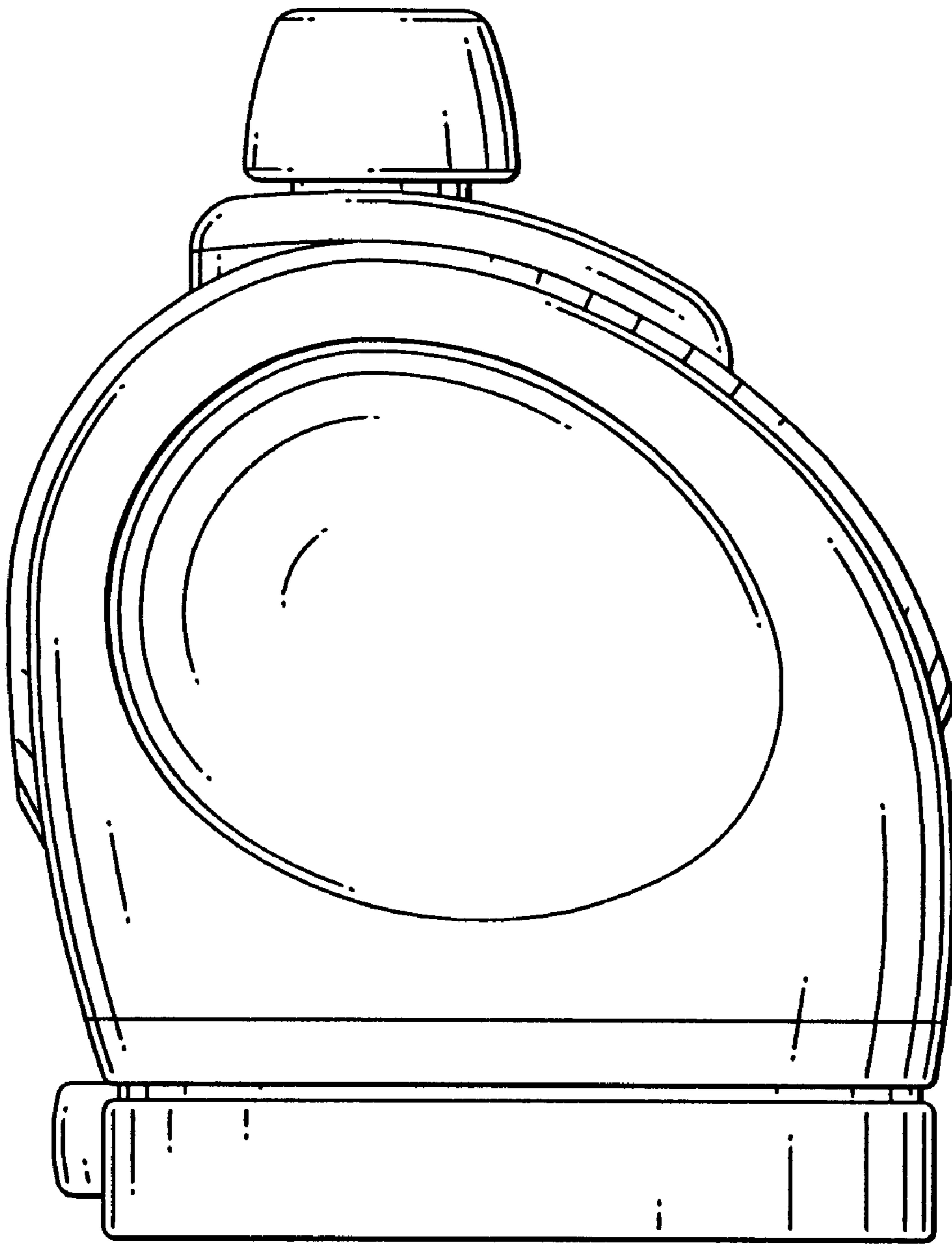


FIG. 3

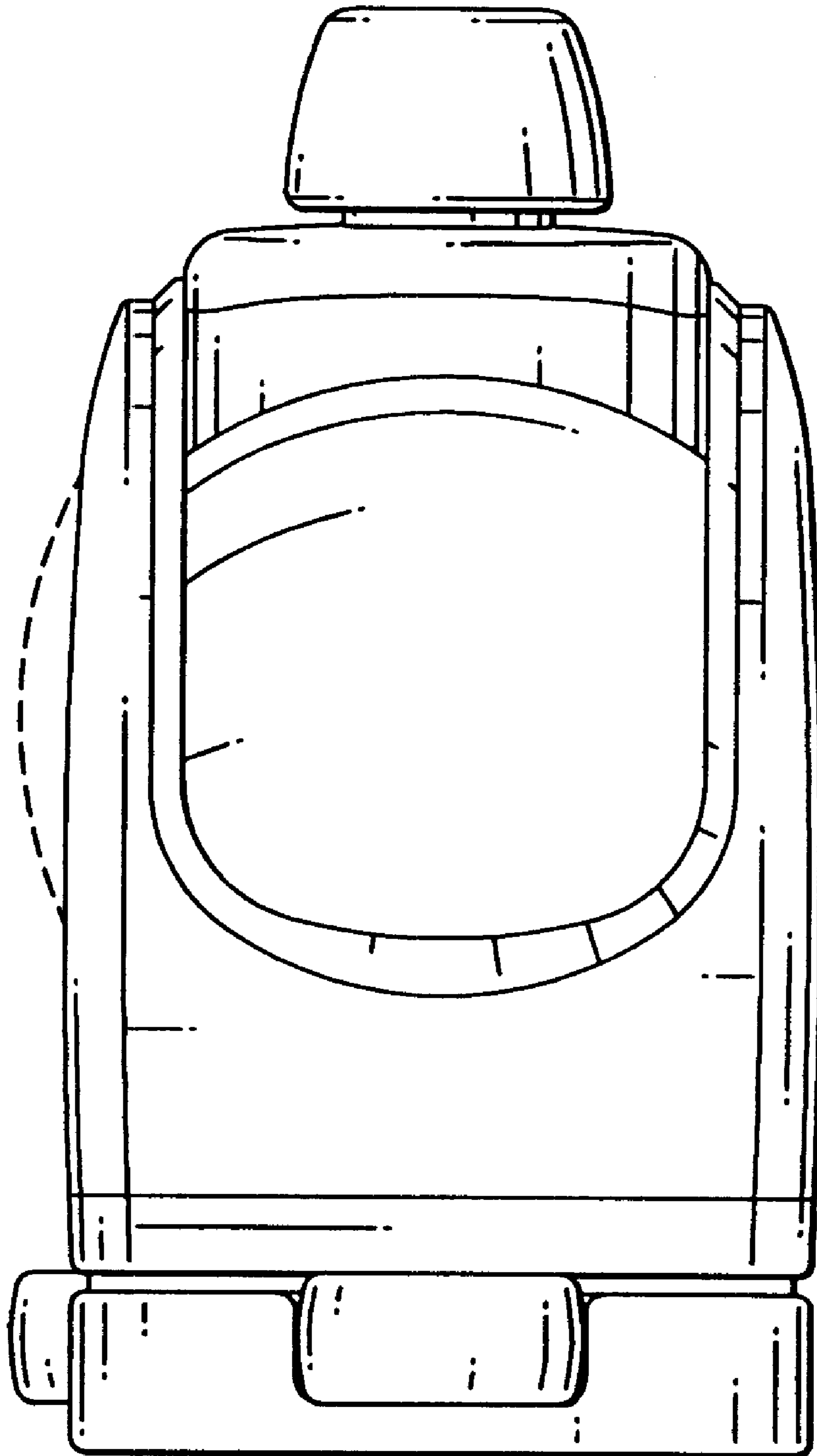


FIG. 4

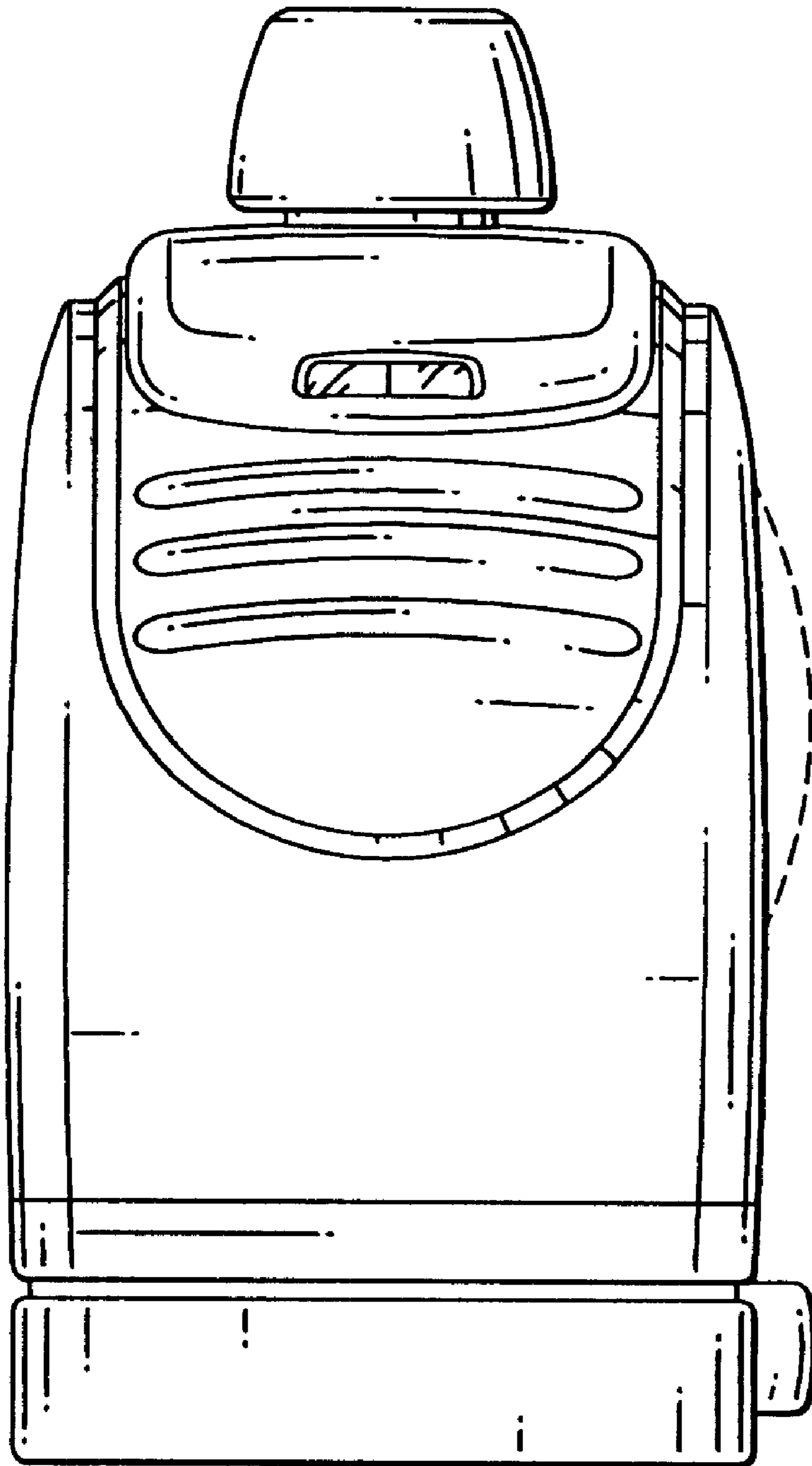


FIG. 5

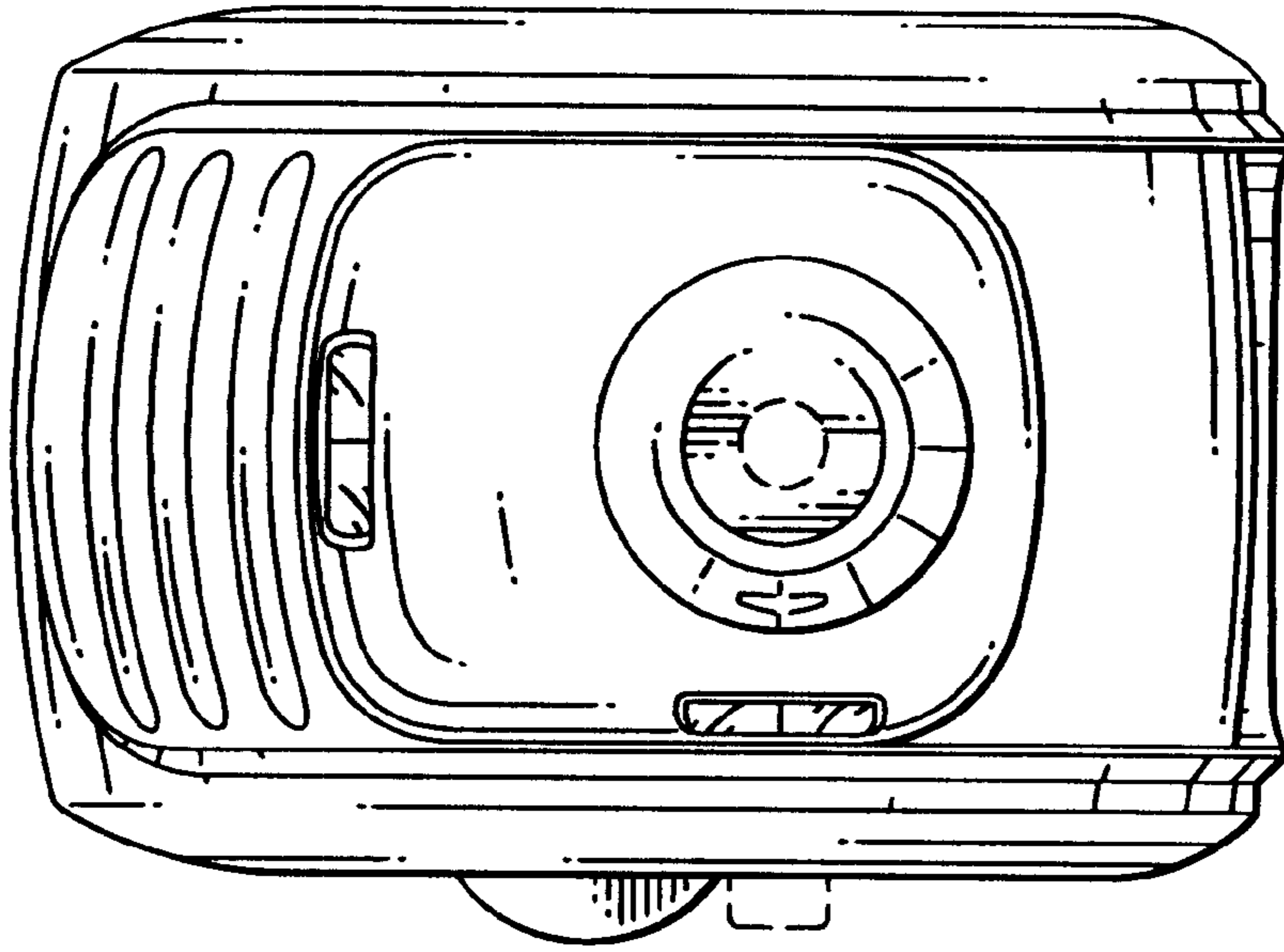


FIG. 6

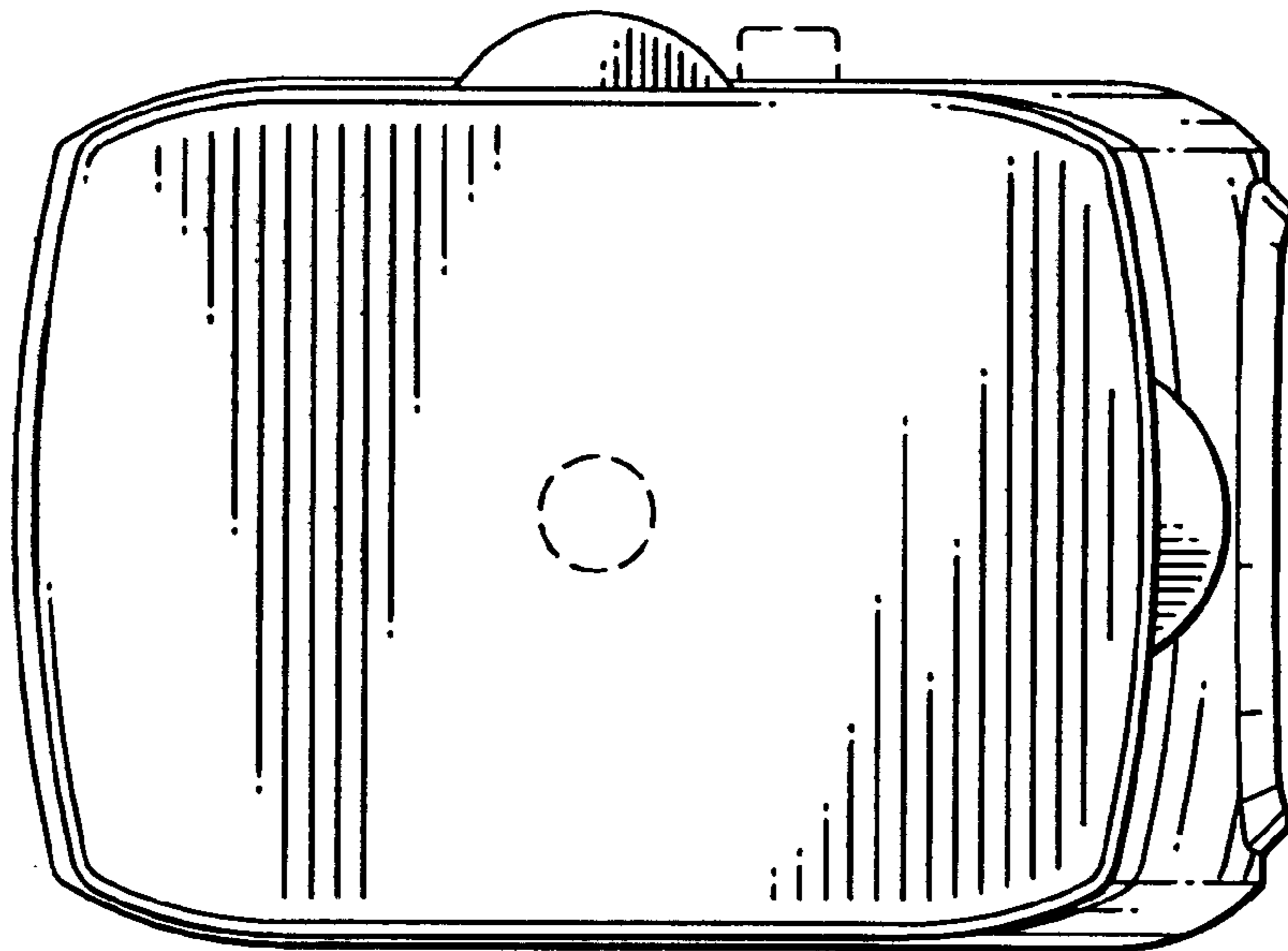


FIG. 7

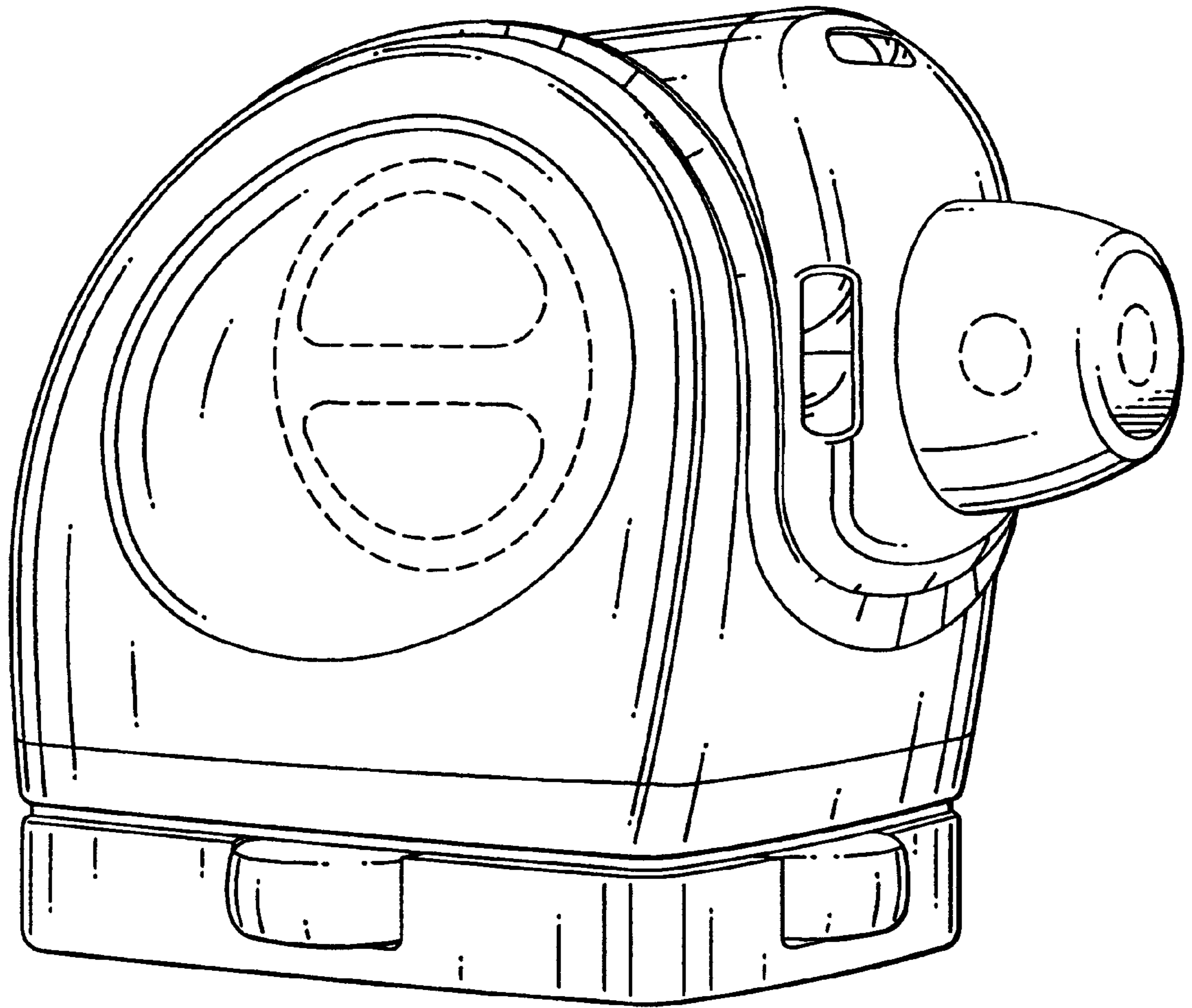


FIG. 8



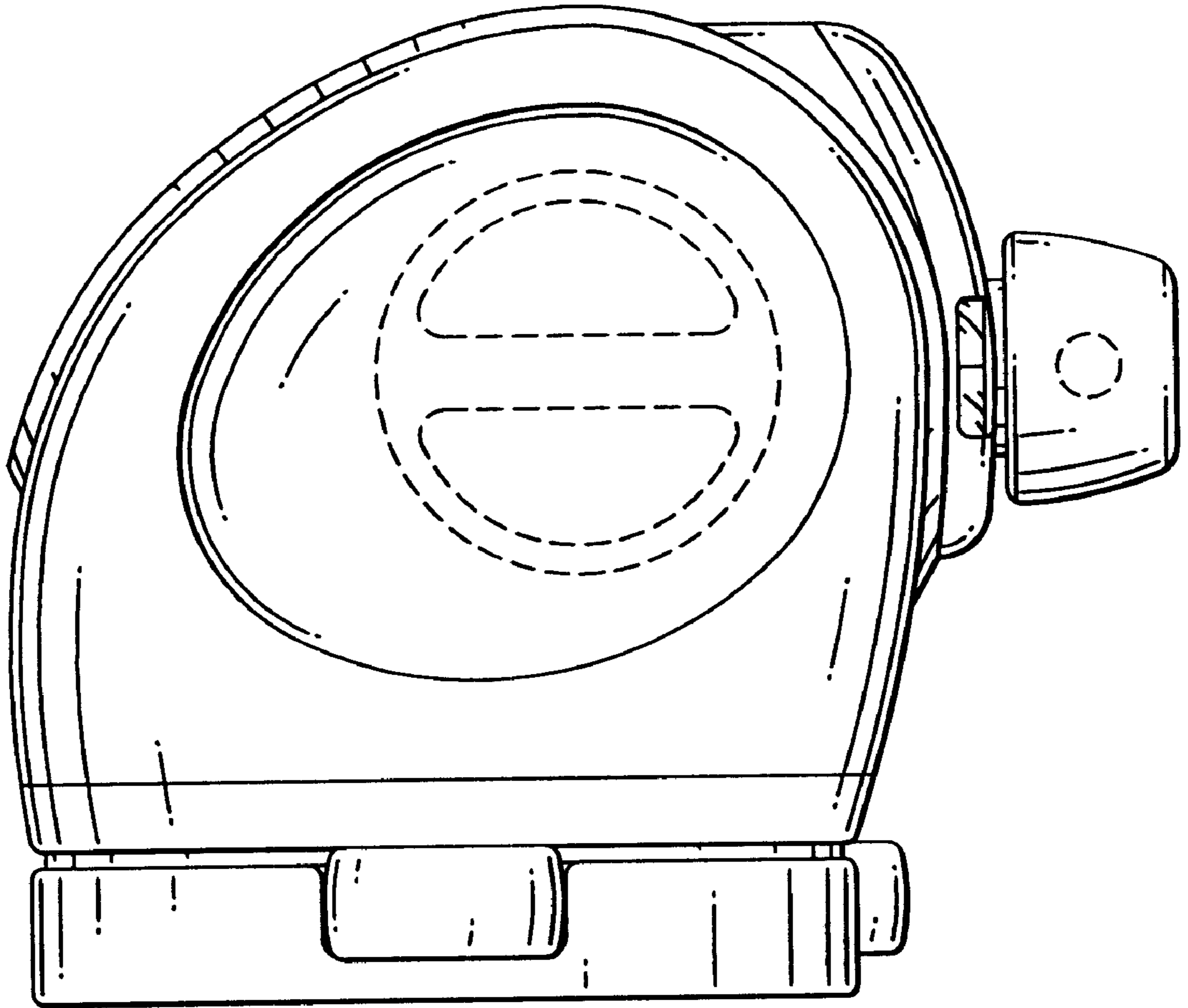


FIG. 9

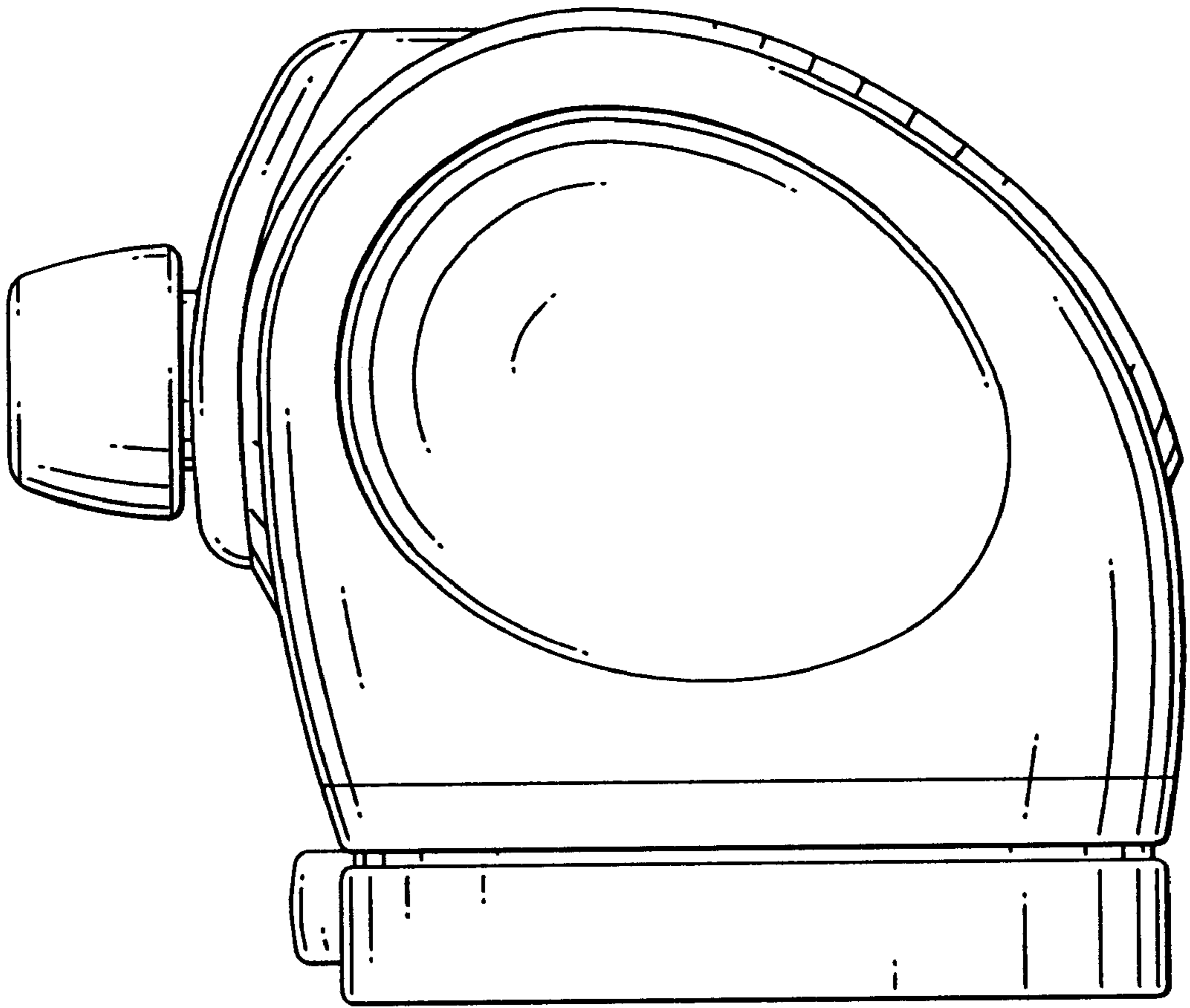


FIG. 10

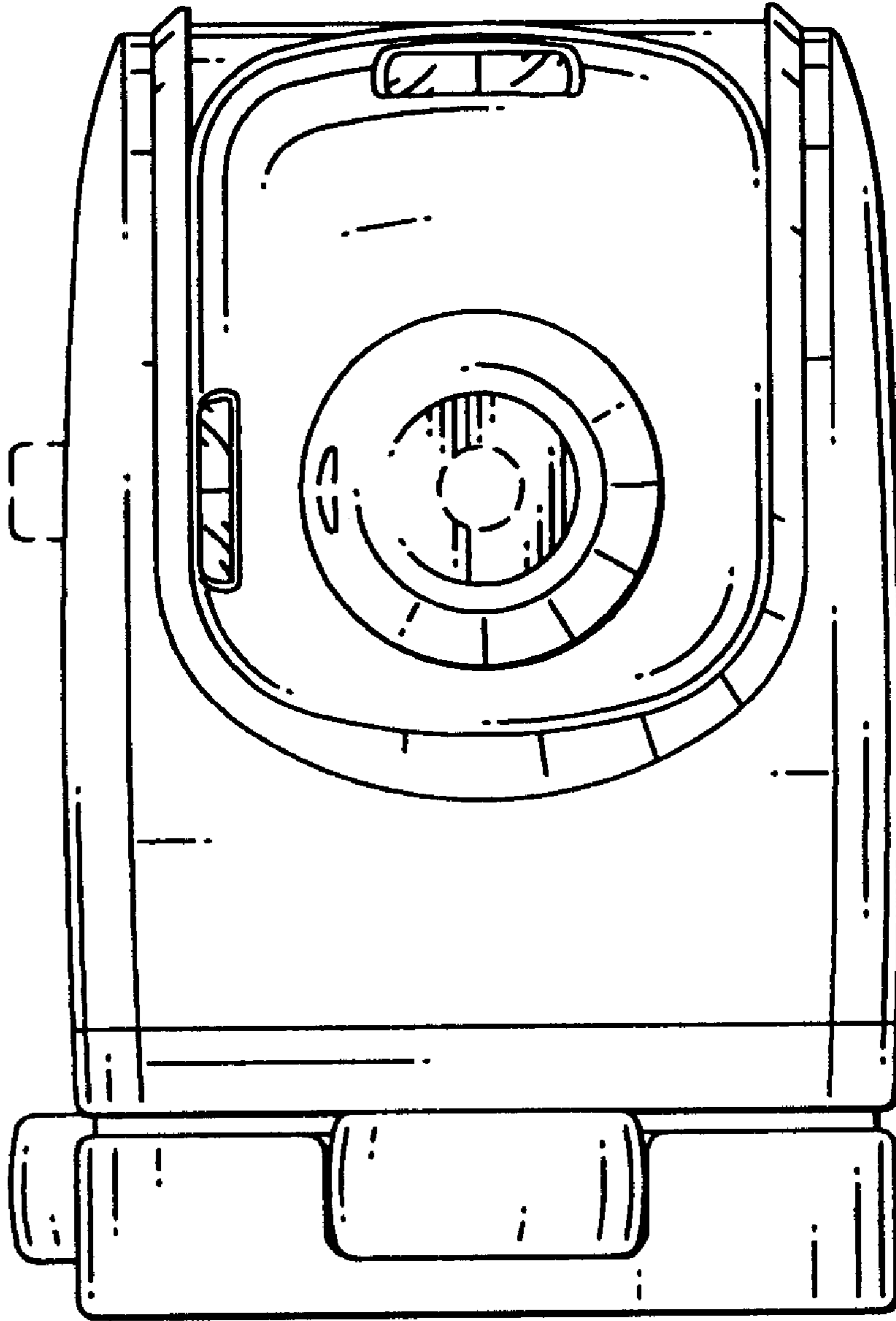


FIG. 11

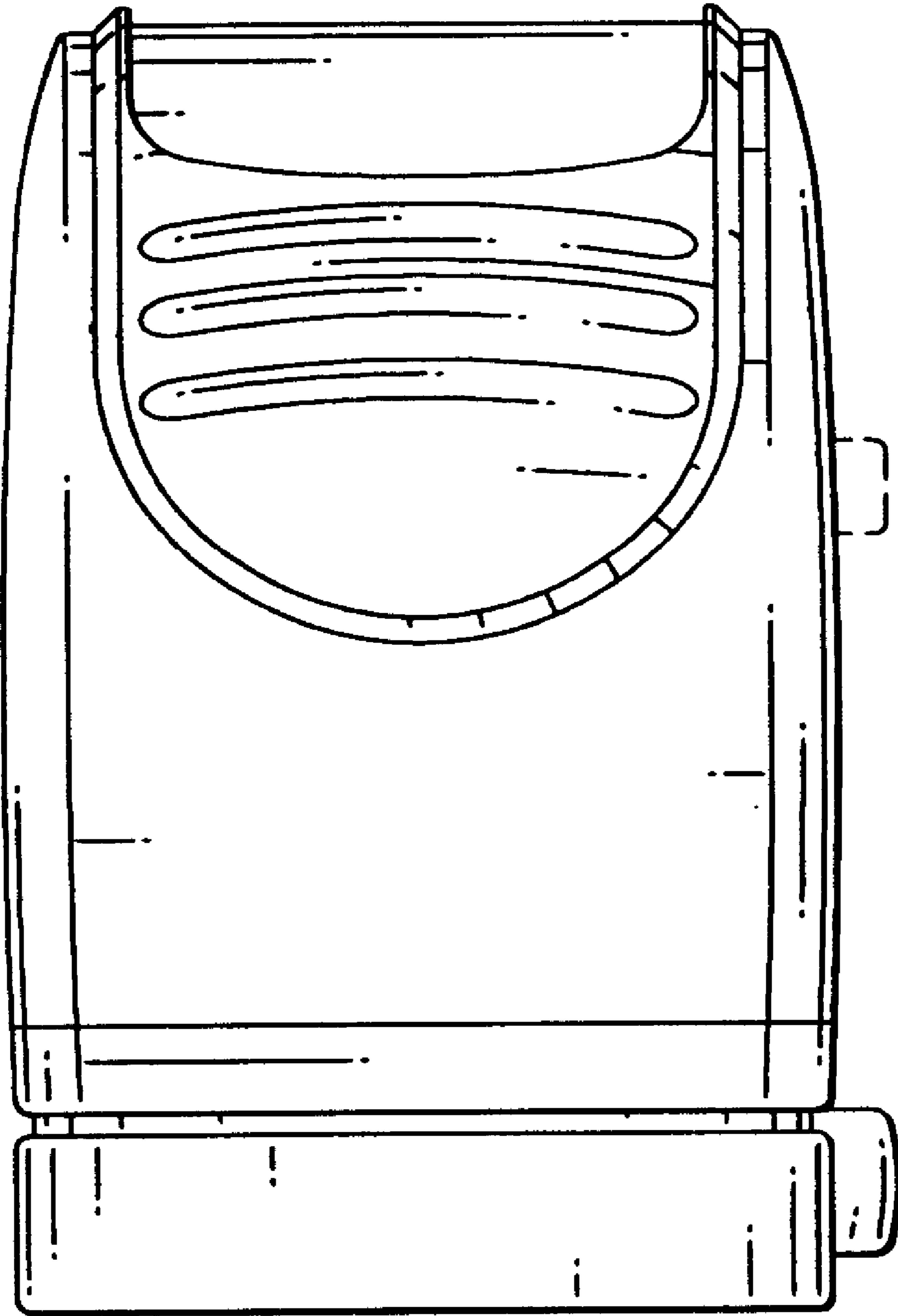


FIG. 12

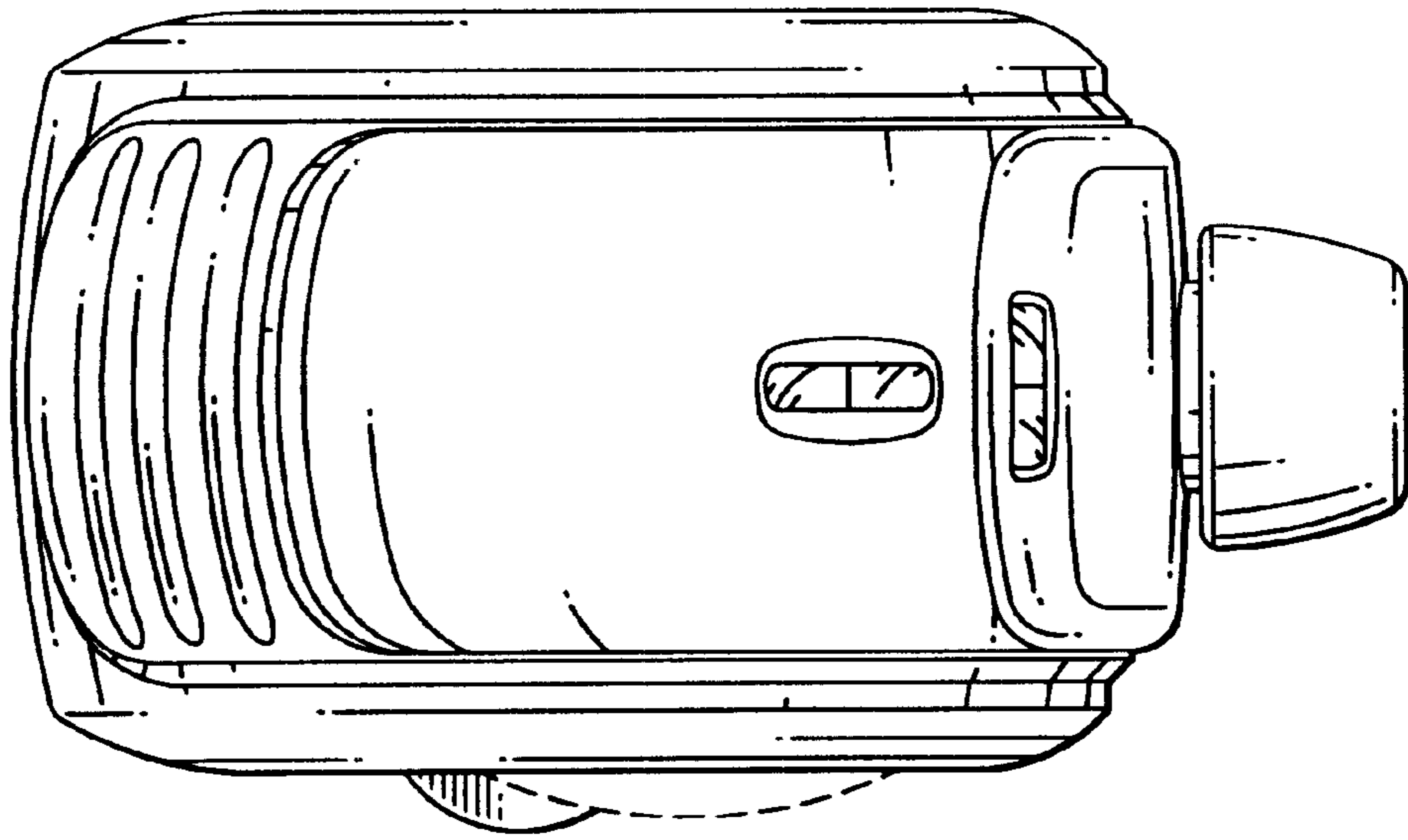


FIG. 13

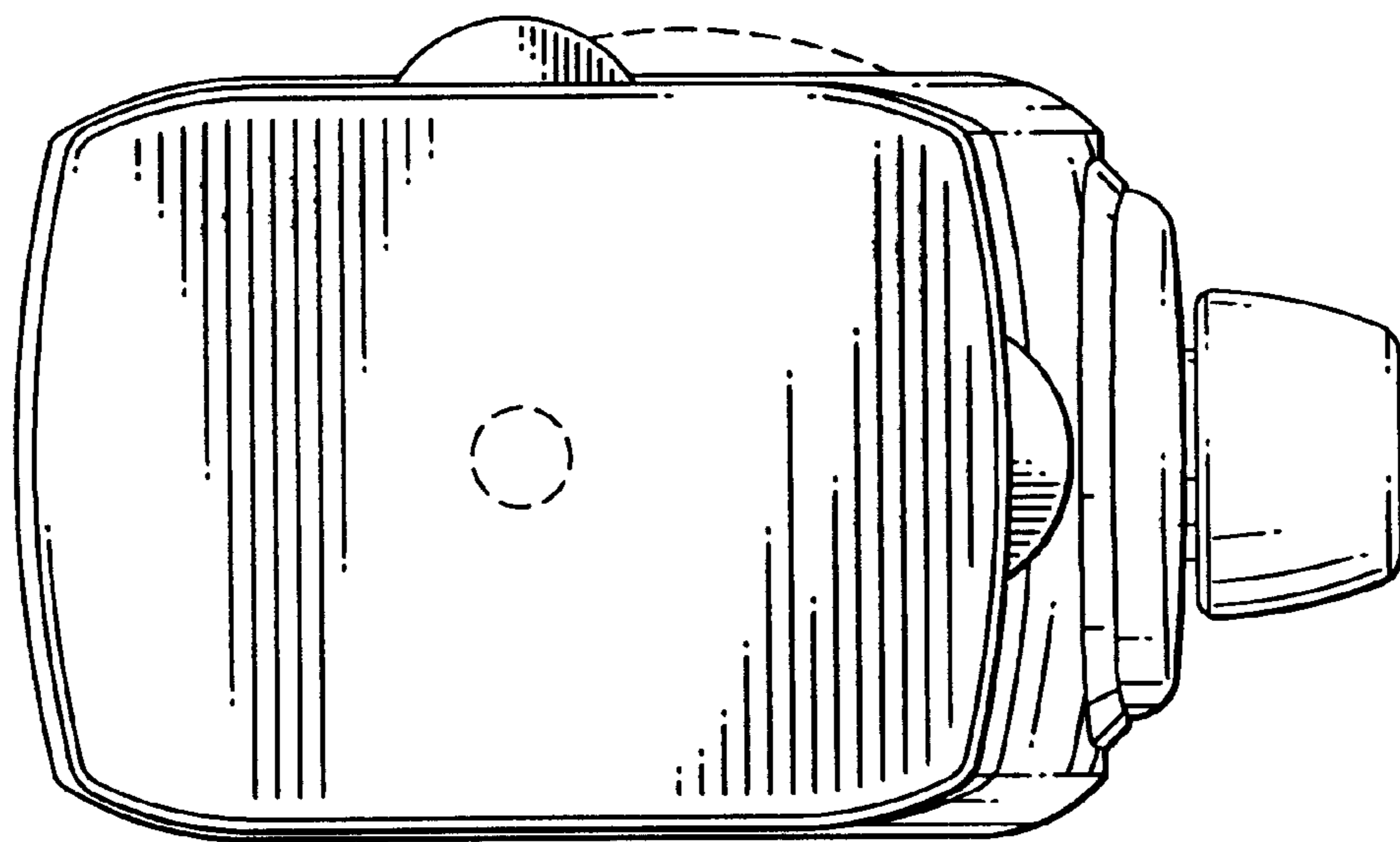


FIG. 14

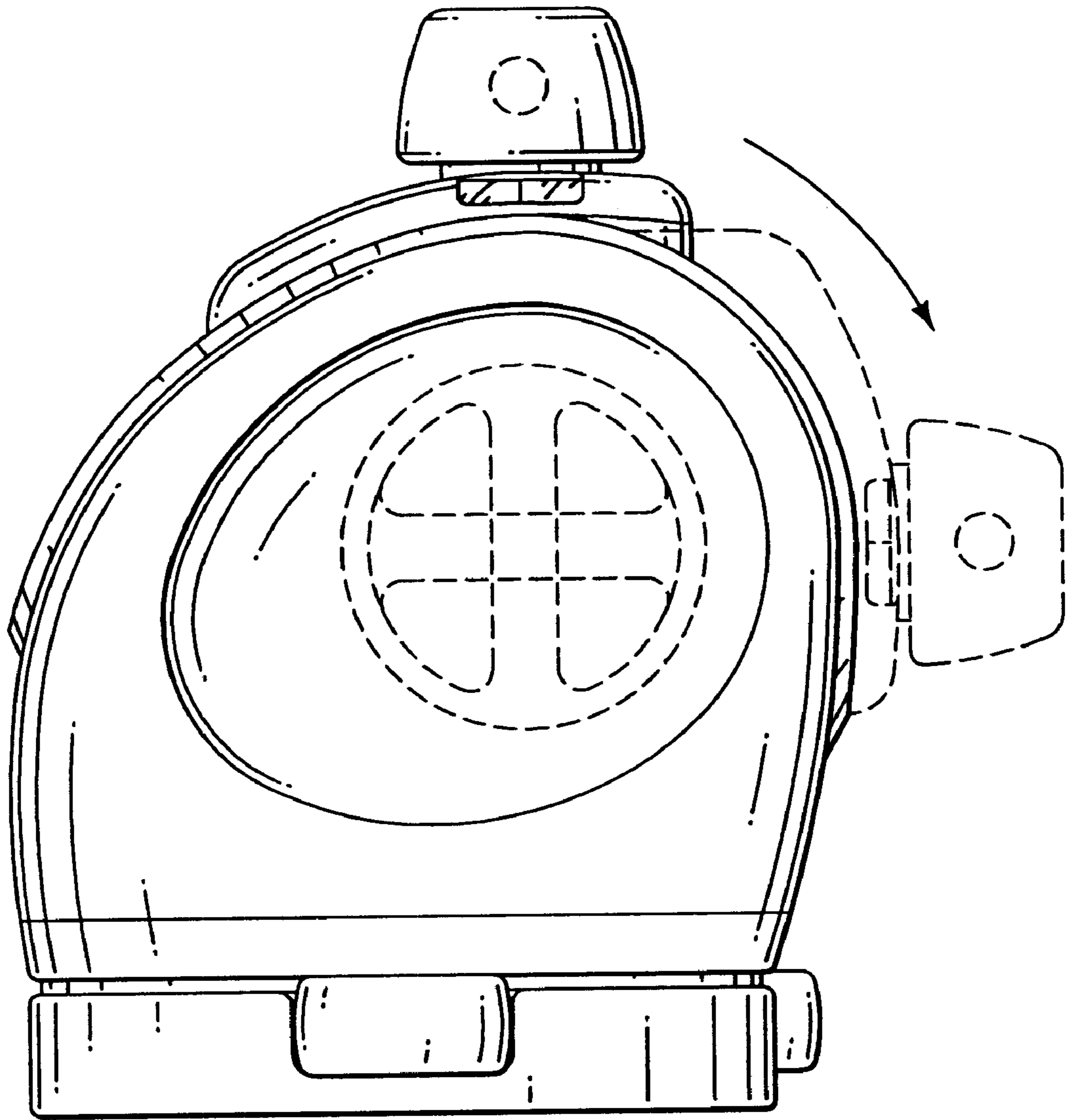


FIG. 15