



US00D470414S

(12) **United States Design Patent**
Hsu

(10) **Patent No.:** **US D470,414 S**

(45) **Date of Patent:** **** Feb. 18, 2003**

(54) **PARTITION FOR SHIPPING**

5,984,101 A * 11/1999 Zamora et al. 206/586
D461,714 S * 8/2002 Hamada et al. D9/456

(75) Inventor: **Fong-Ling Hsu**, Taoyuan Hsien (TW)

* cited by examiner

(73) Assignee: **Quanta Computer Inc.**, Taoyuan Hsien (TW)

Primary Examiner—Kay H. Chin
(74) *Attorney, Agent, or Firm*—Perkins Coie LLP

(**) Term: **14 Years**

(57) **CLAIM**

(21) Appl. No.: **29/136,271**

The ornamental design for a partition for shipping, as shown and described.

(22) Filed: **Jan. 26, 2001**

DESCRIPTION

(51) **LOC (7) Cl.** **09-07**

(52) **U.S. Cl.** **D9/456**

(58) **Field of Search** D14/432; D9/456,
D9/434; 206/193, 453, 523, 586

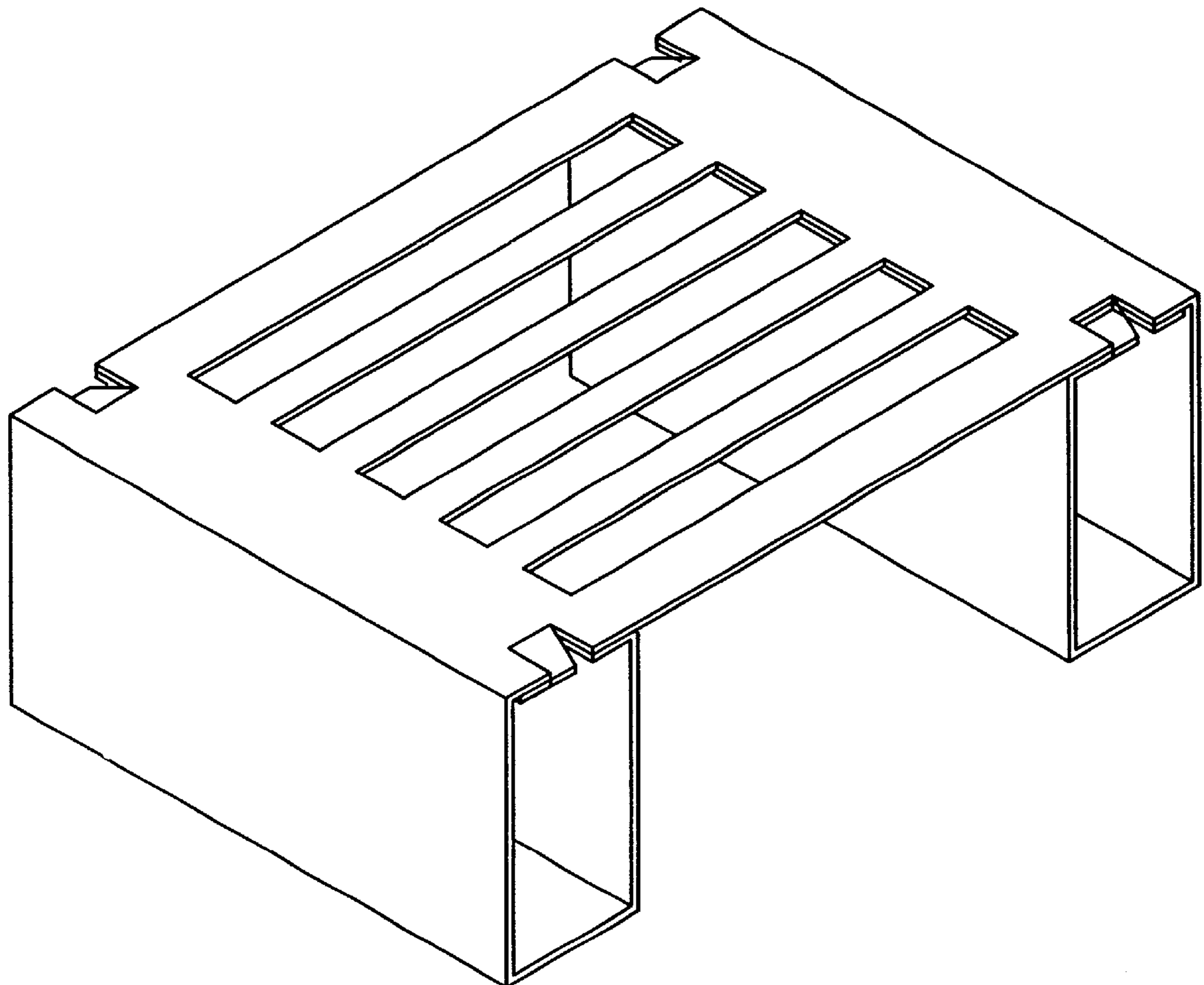
FIG. 1 is a perspective view of a partition for shipping showing my new design;
FIG. 2 is a front view thereof;
FIG. 3 is a rear view thereof;
FIG. 4 is a left side view thereof;
FIG. 5 is a right side view thereof;
FIG. 6 is a top plan view thereof; and,
FIG. 7 is a bottom plan view thereof.

(56) **References Cited**

U.S. PATENT DOCUMENTS

D234,752 S * 4/1975 Paone D9/456
4,134,496 A * 1/1979 Smith 206/453
5,253,756 A * 10/1993 Goekler 206/444

1 Claim, 4 Drawing Sheets



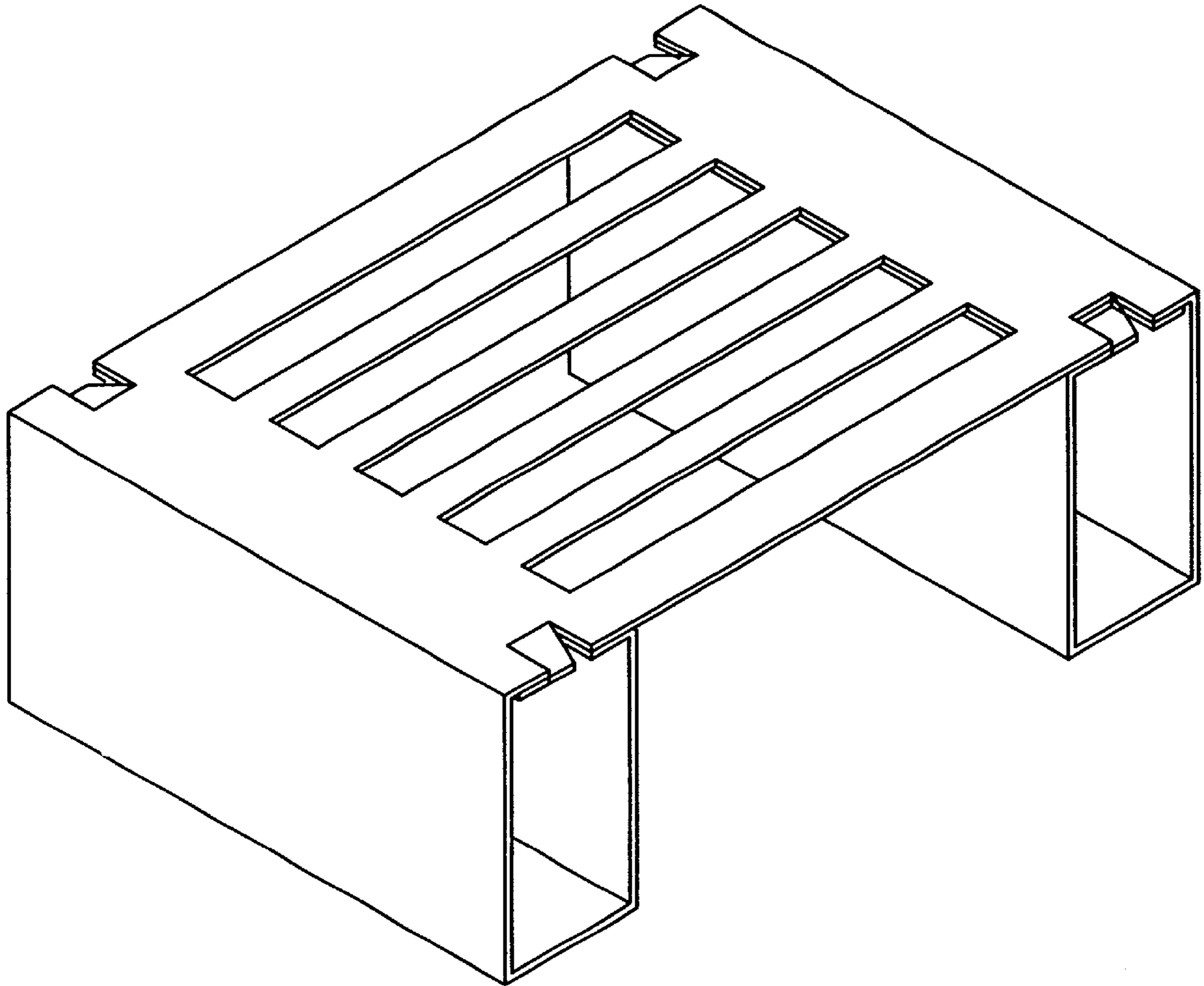


FIG. 1

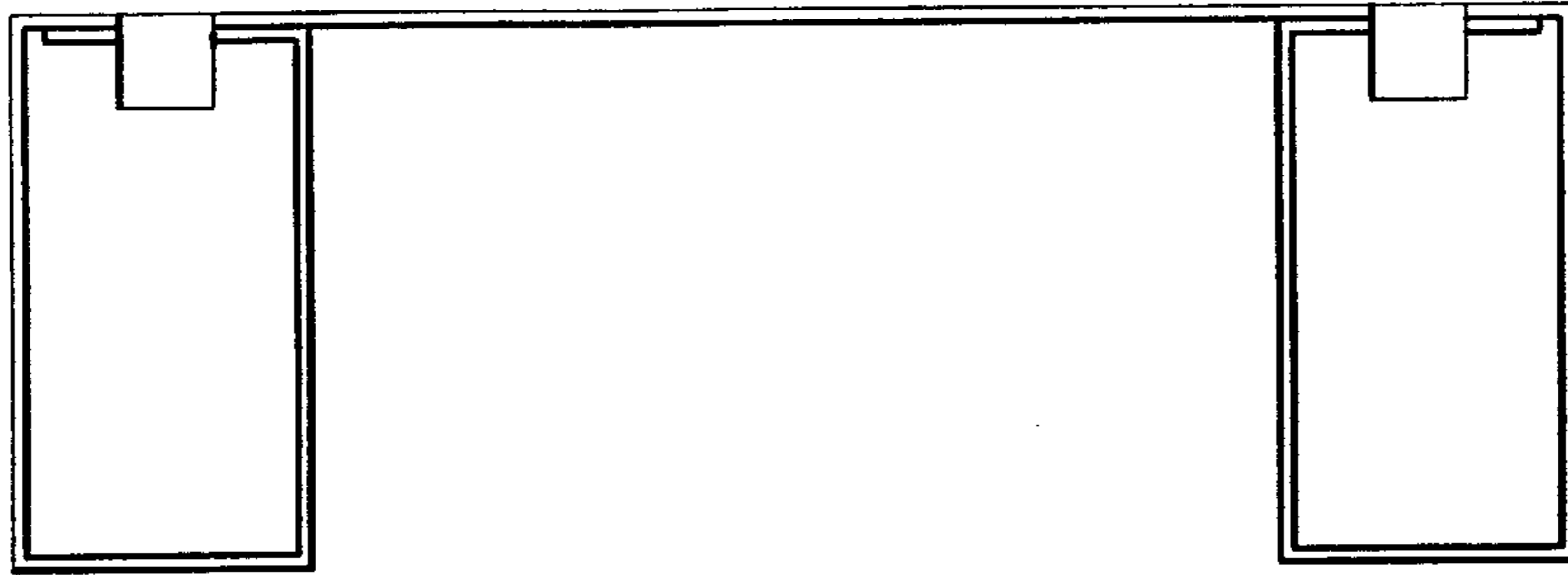


FIG. 2

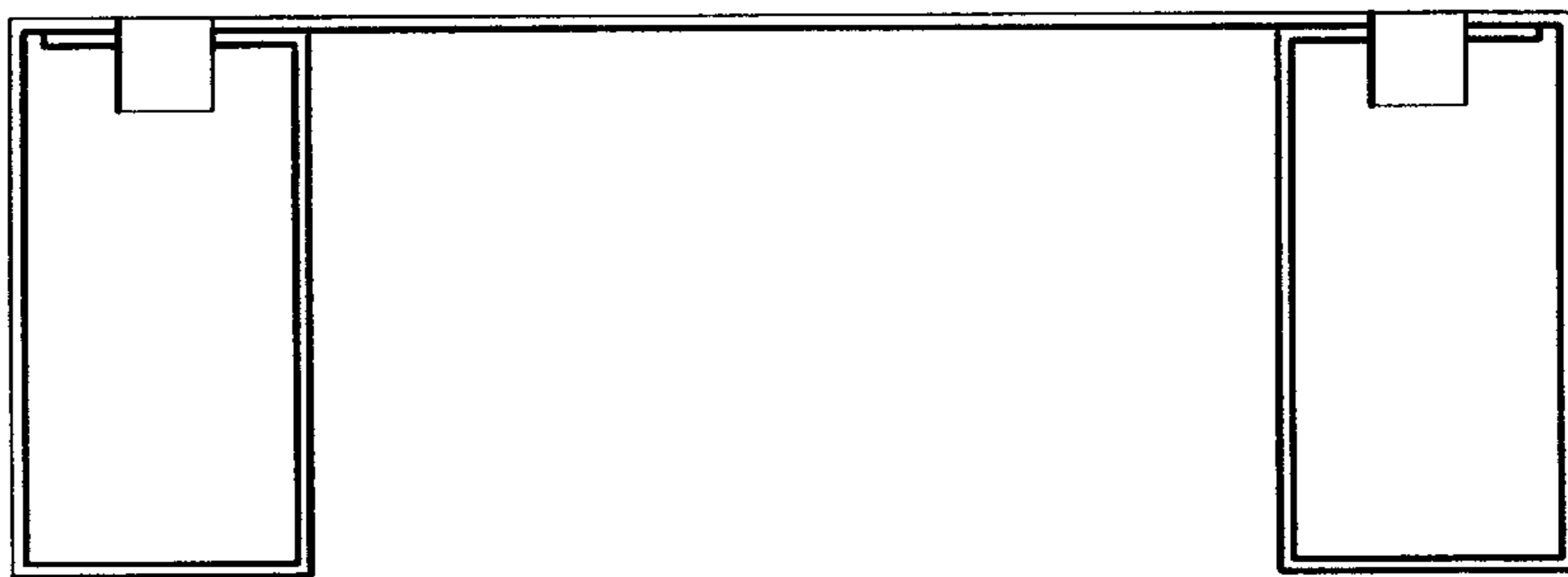


FIG. 3

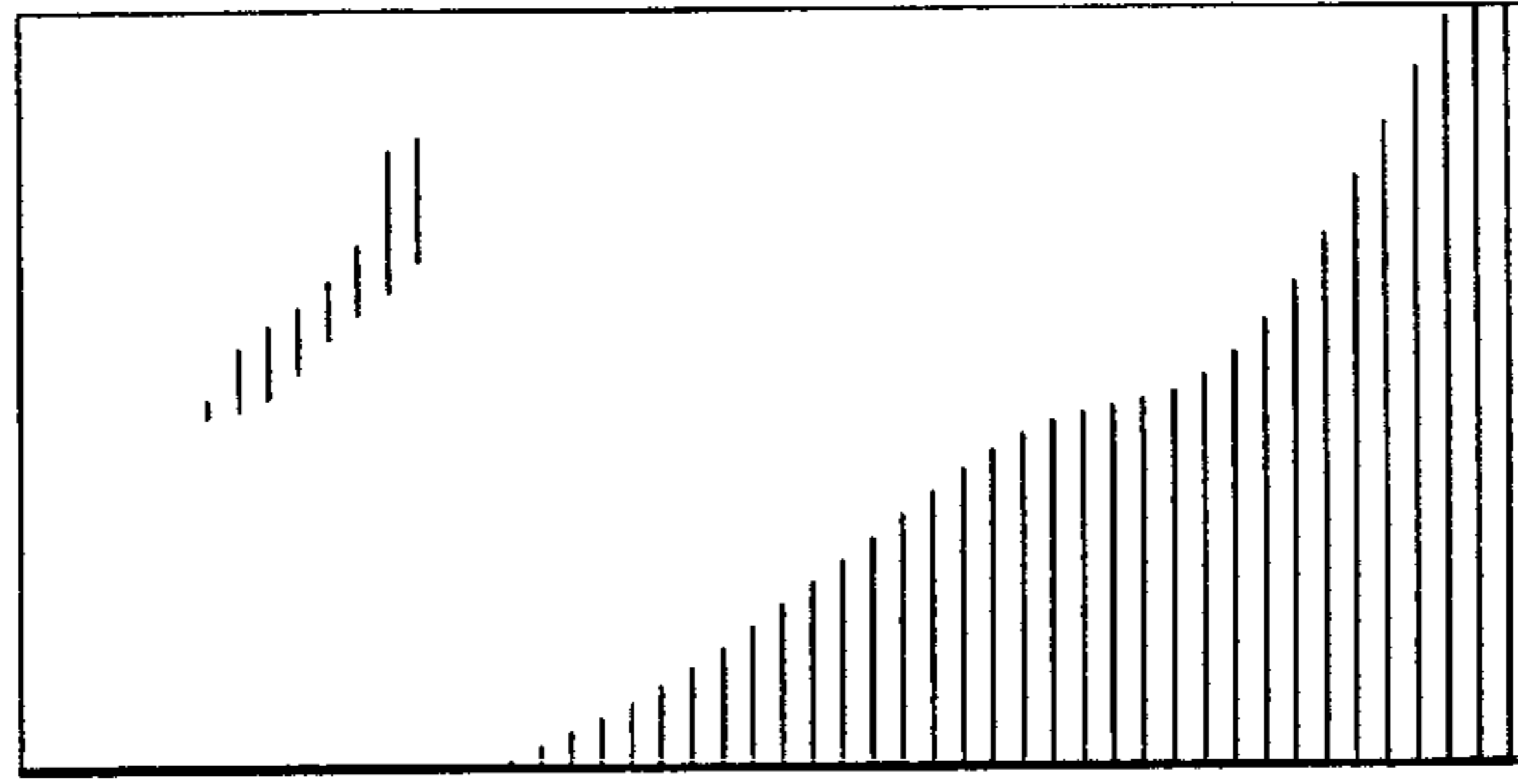


FIG. 4

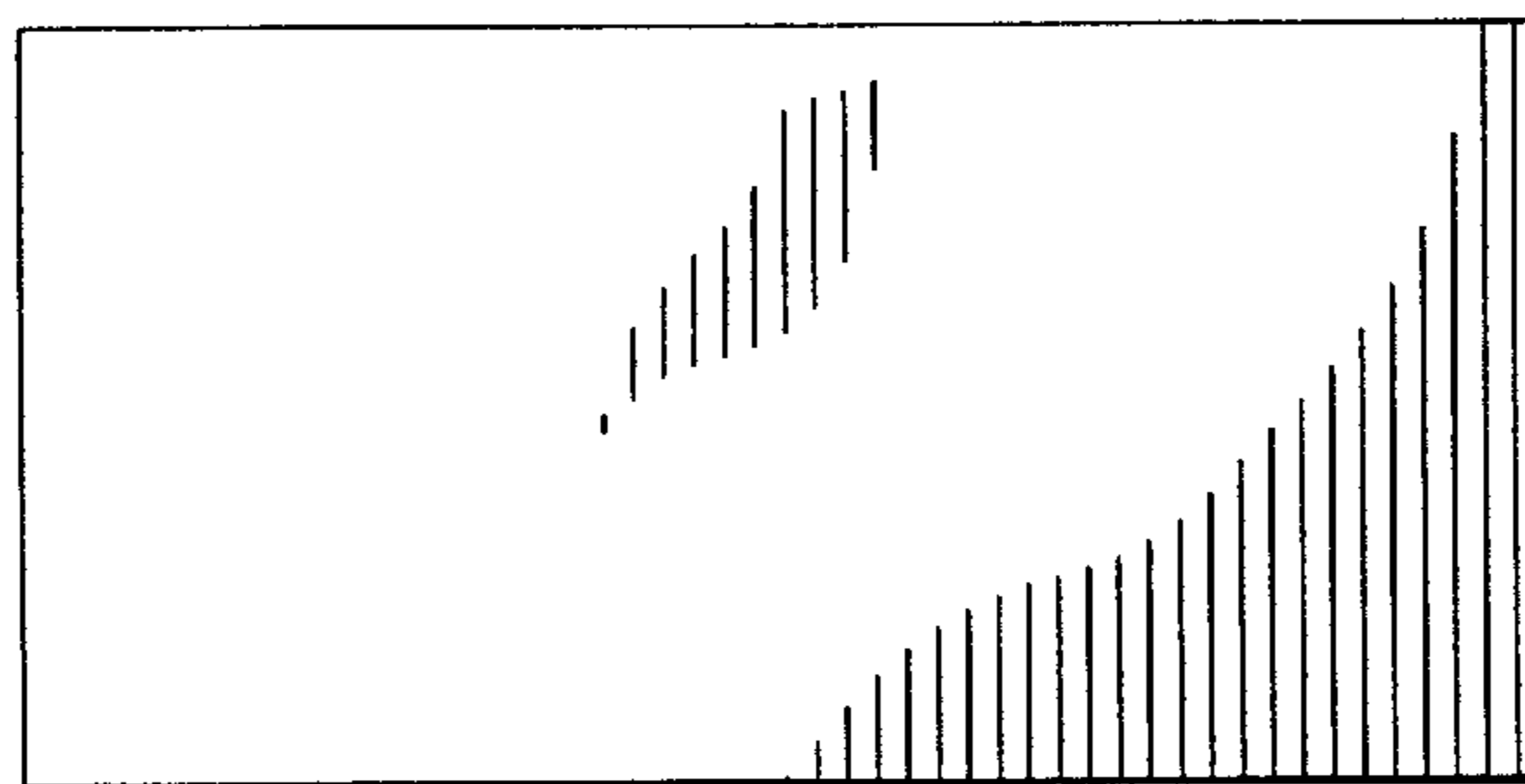


FIG. 5

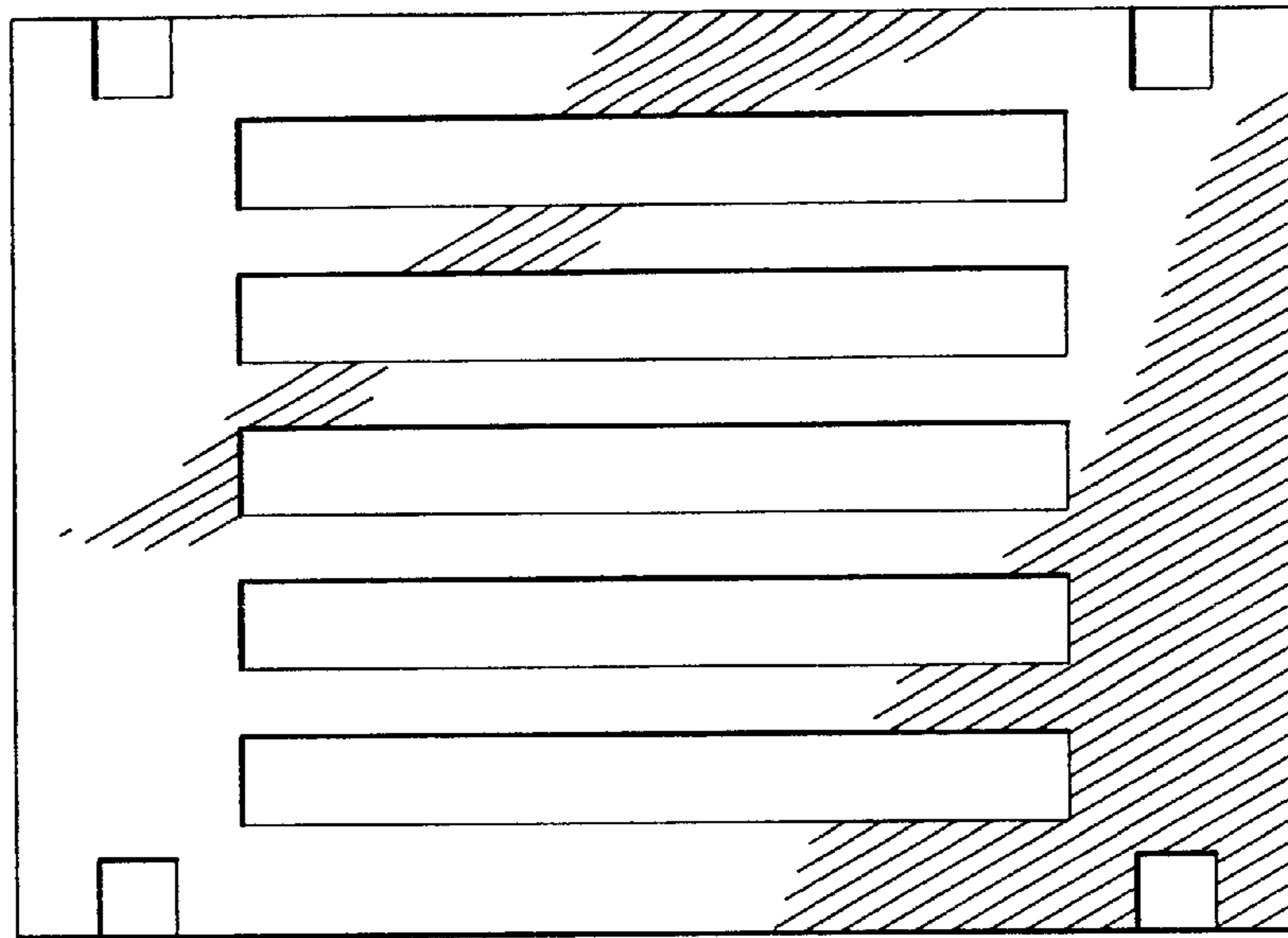


FIG. 6

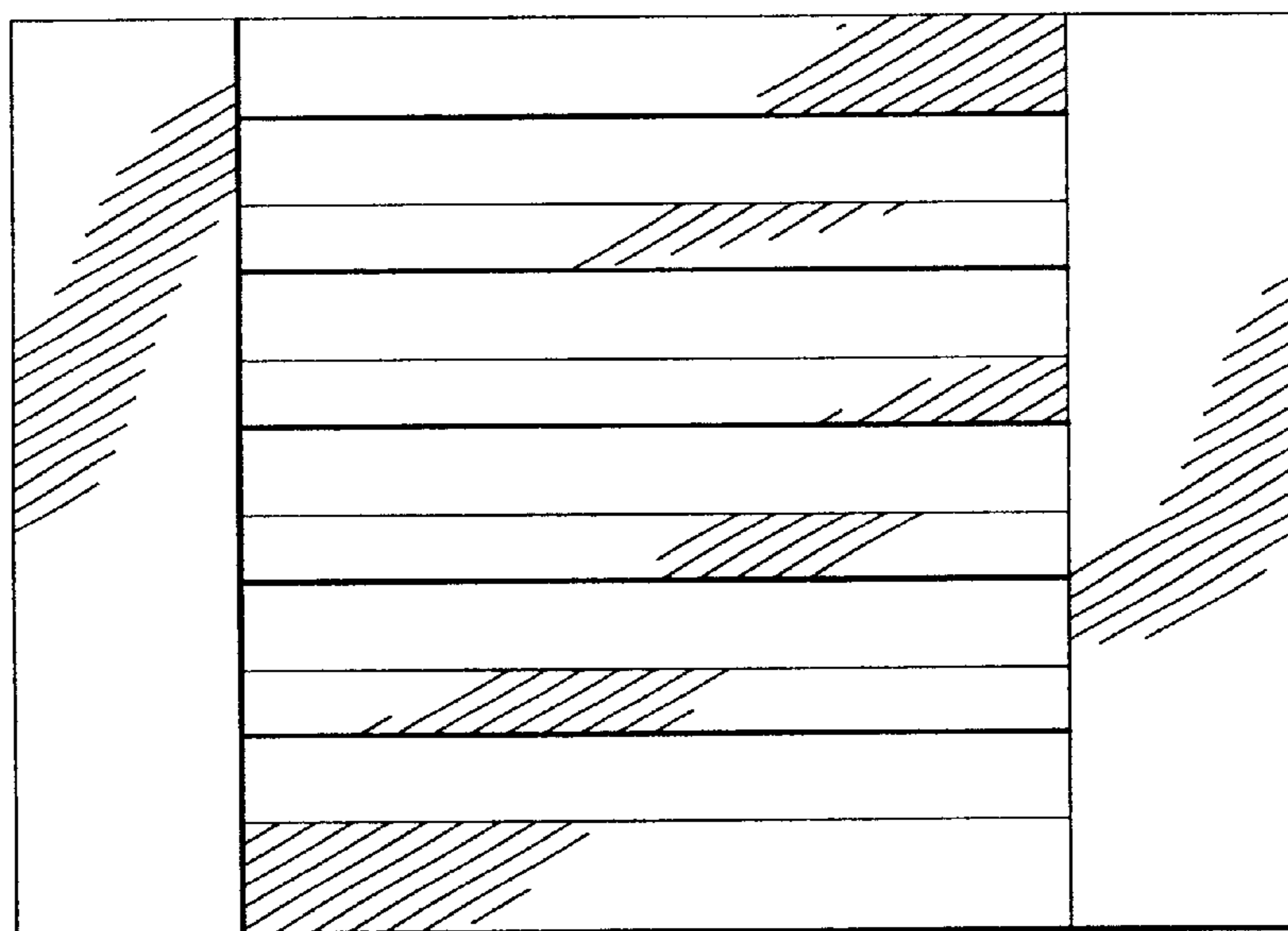


FIG. 7