



US00D470411S

(12) **United States Design Patent**
Menceles

(10) **Patent No.:** **US D470,411 S**

(45) **Date of Patent:** **** Feb. 18, 2003**

(54) **PACKAGE**

(75) Inventor: **Andrew Z. Menceles**, Willowdale (CA)

(73) Assignee: **Cosmoda Concept Corporation** (CA)

(**) Term: **14 Years**

(21) Appl. No.: **29/163,517**

(22) Filed: **Jul. 5, 2002**

(51) **LOC (7) Cl.** **09-03**

(52) **U.S. Cl.** **D9/425; D9/429**

(58) **Field of Search** D9/414, 420, 424,
D9/425, 426, 428, 429, 337; 206/216, 541,
469, 562, 563, 457, 557, 822; 220/4.21,
241, 242, 781, 780, 350, 376, 669, 620

(56) **References Cited**

U.S. PATENT DOCUMENTS

4,935,252	A	*	6/1990	Huang et al.	426/107
D379,431	S	*	5/1997	Mangla	D9/425
D381,264	S	*	7/1997	Lippincott	D9/425
5,747,084	A	*	5/1998	Cochran et al.	206/541
D408,282	S	*	4/1999	McCann	D9/428
5,900,264	A	*	5/1999	Gics	206/557
D432,414	S	*	10/2000	Simpson et al.	D9/418
D443,510	S	*	6/2001	Doucette	D9/425

* cited by examiner

Primary Examiner—Prabhakar Deshmukh

(74) *Attorney, Agent, or Firm*—D. Peter Hochberg;
Katherine R. Vieyra; Sean Mellino

(57) **CLAIM**

The ornamental design for a package, as shown and described.

DESCRIPTION

FIG. 1 is a perspective view of the lid of the package according to the invention;

FIG. 2 is a perspective view of the base of the package according to the invention;

FIG. 3 is a top view of the lid of the package as shown in FIG. 1;

FIG. 4 is a front view of the lid of the package as shown in FIG. 1;

FIG. 5 is a side view of the lid of the package as shown in FIG. 1;

FIG. 6 is a top view of the base of the package as shown in FIG. 2;

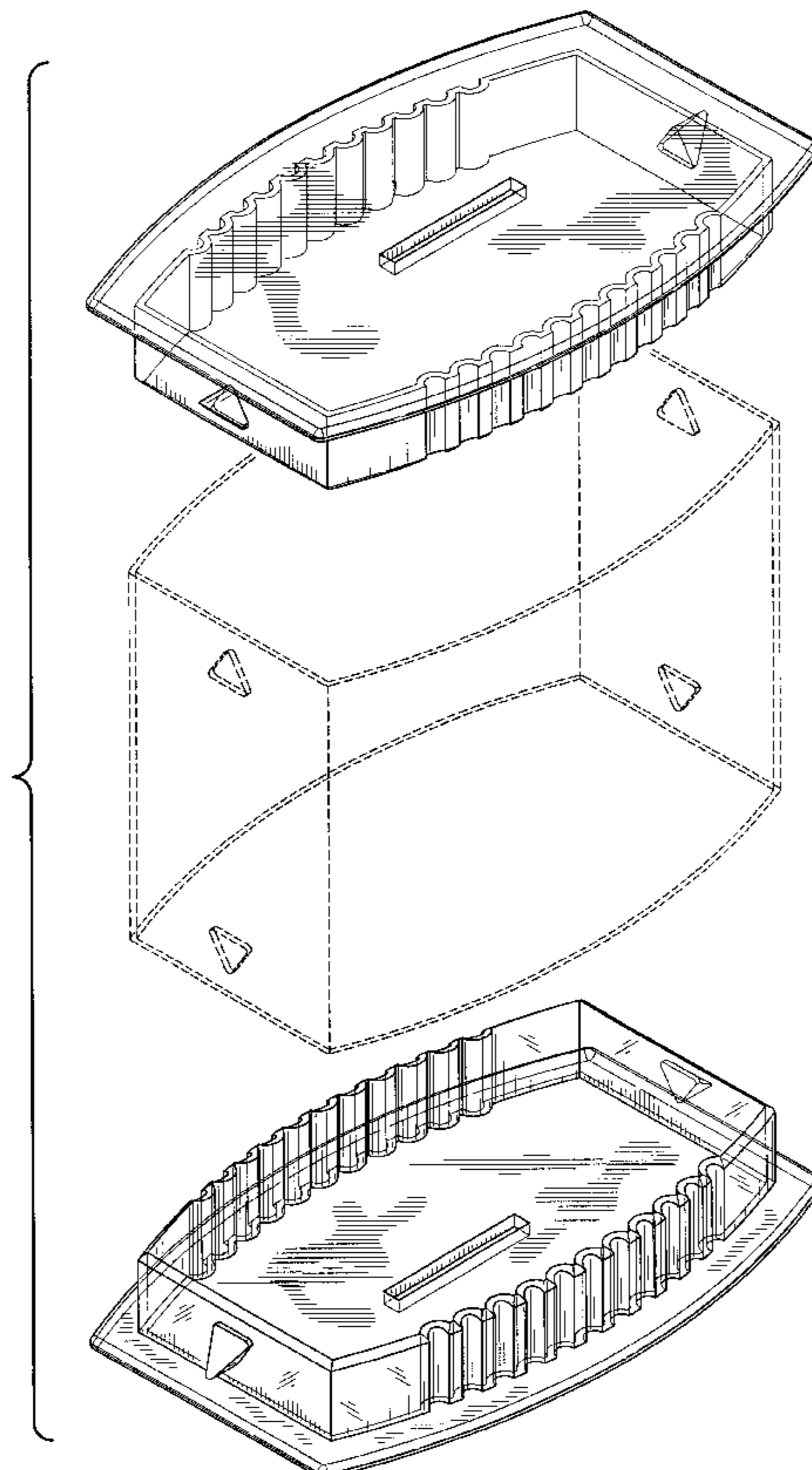
FIG. 7 is a side view of the base of the package as shown in FIG. 2;

FIG. 8 is a front view of the base of the package as shown in FIG. 2; and,

FIG. 9 is a perspective exploded view of the package showing the lid and base on opposite sides of a slide according to the invention.

The broken line showing of a sleeve is for illustrative purpose and forms no part of the claimed design.

1 Claim, 4 Drawing Sheets



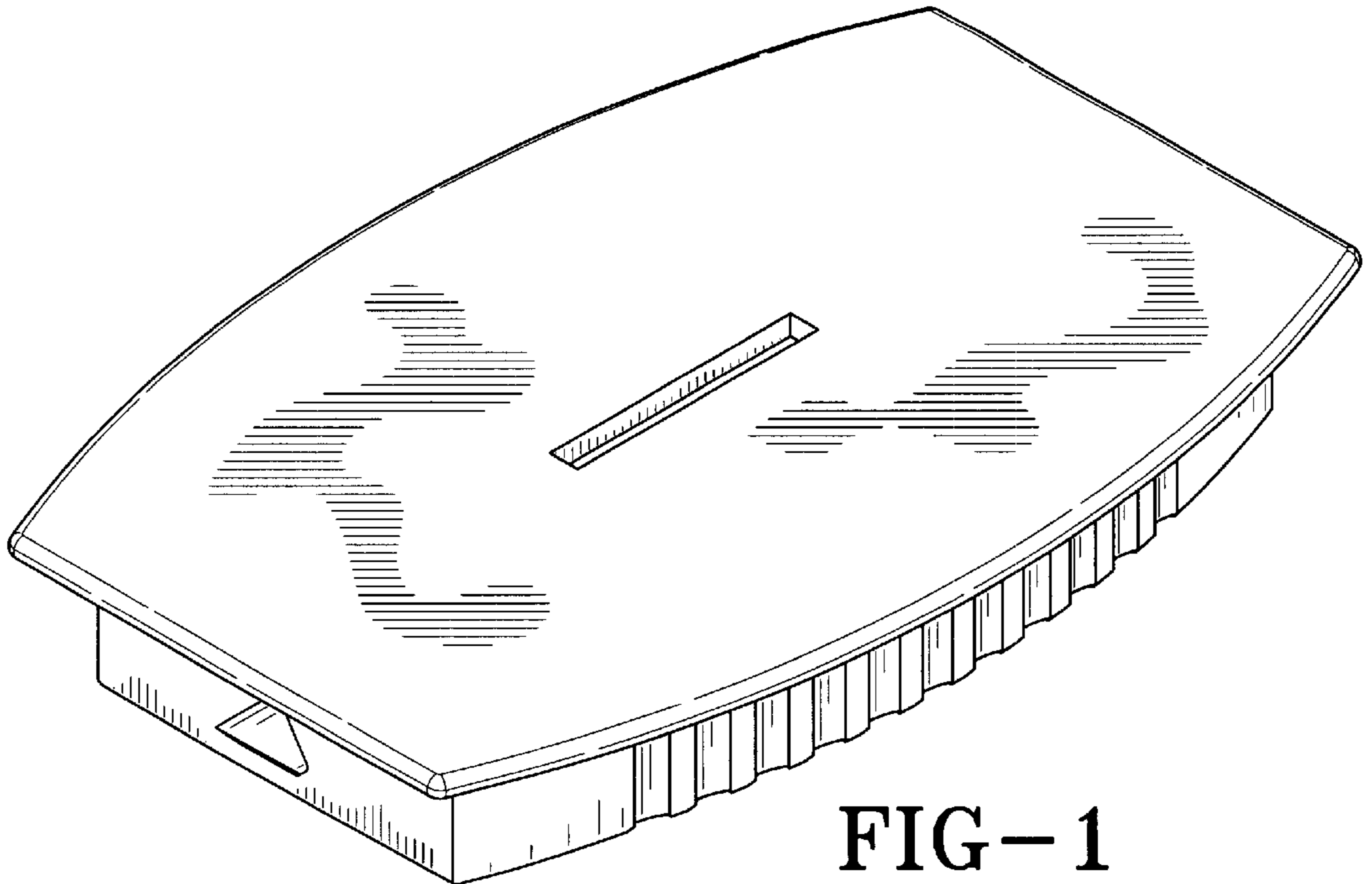


FIG-1

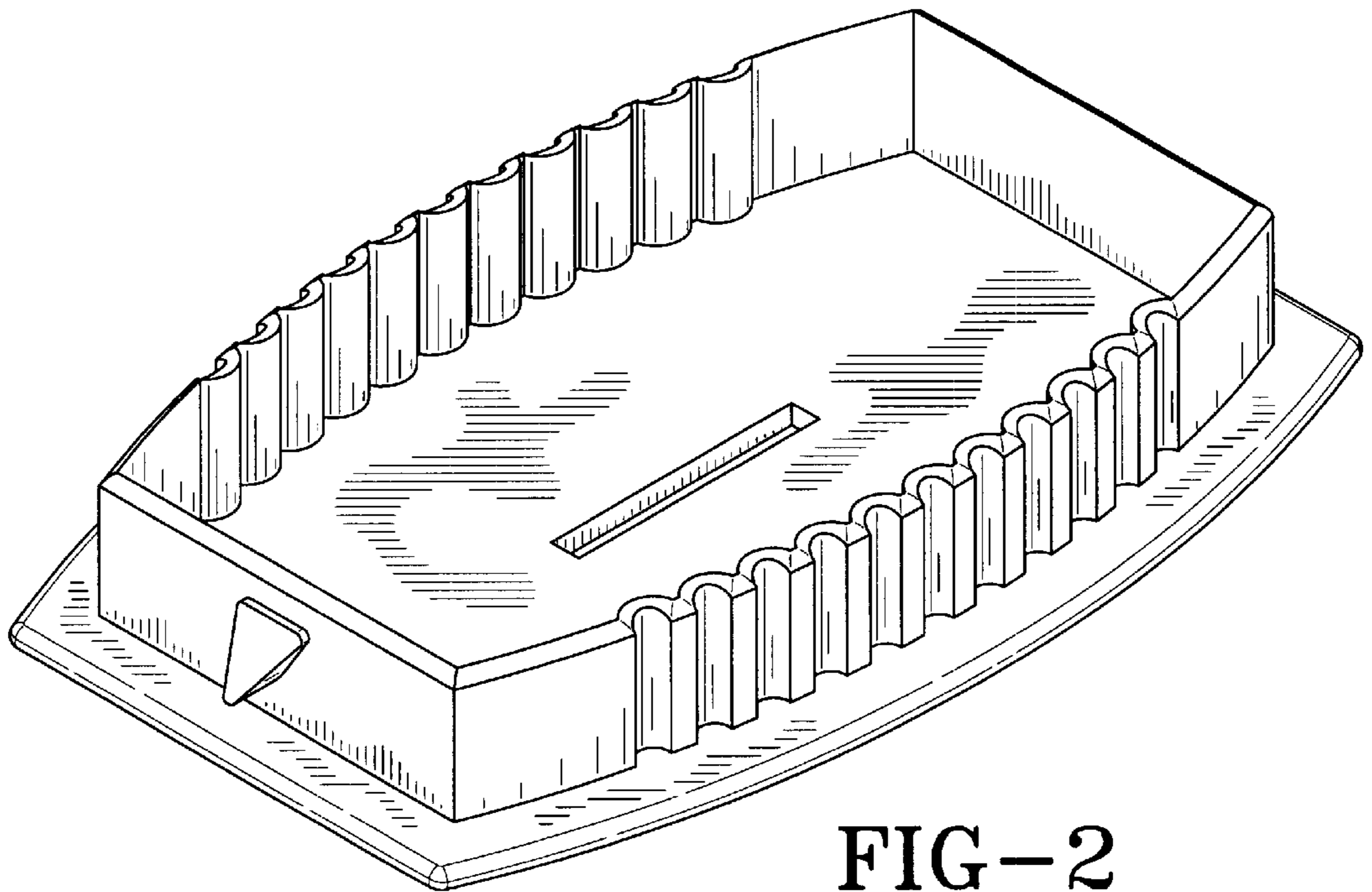


FIG-2

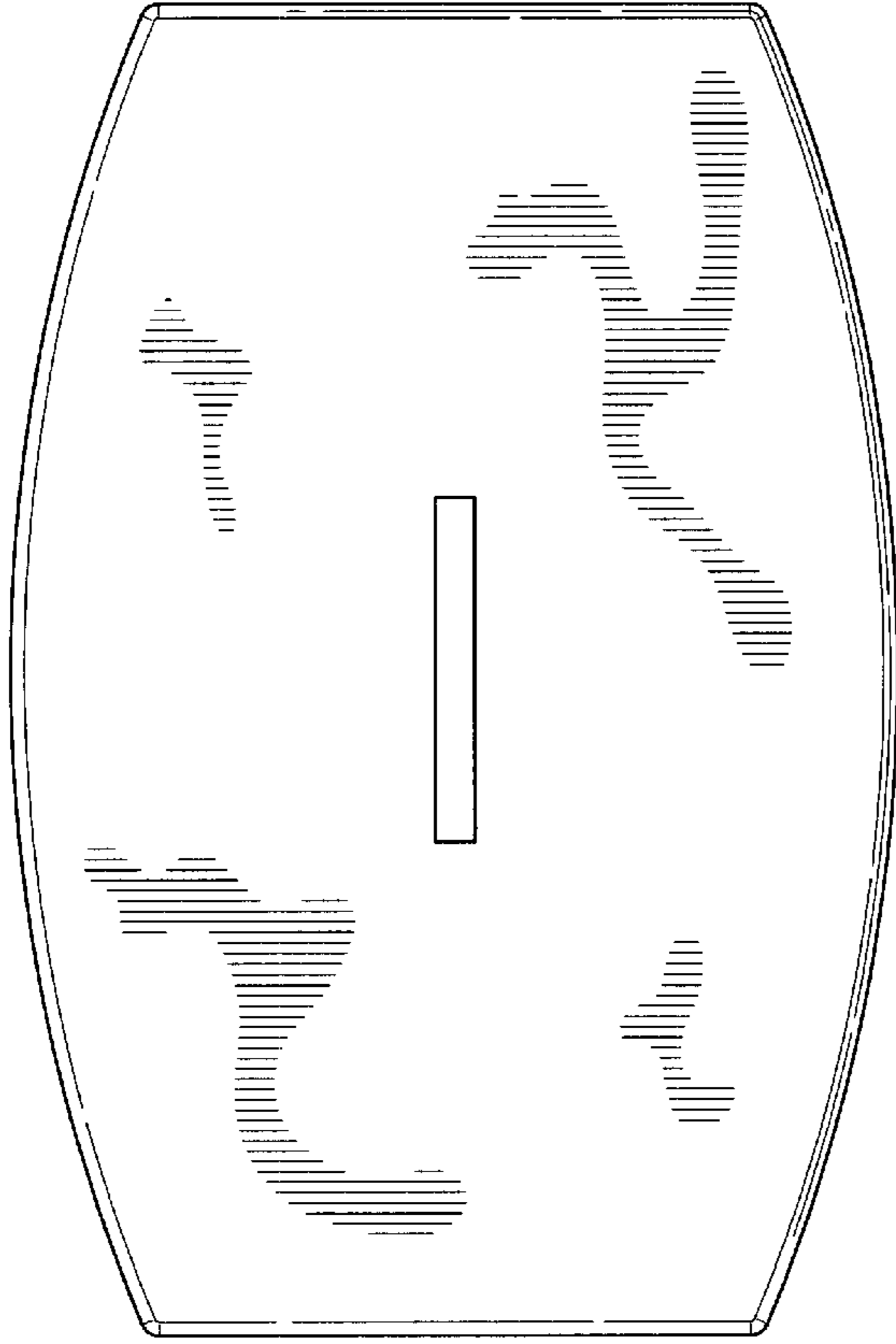


FIG-3

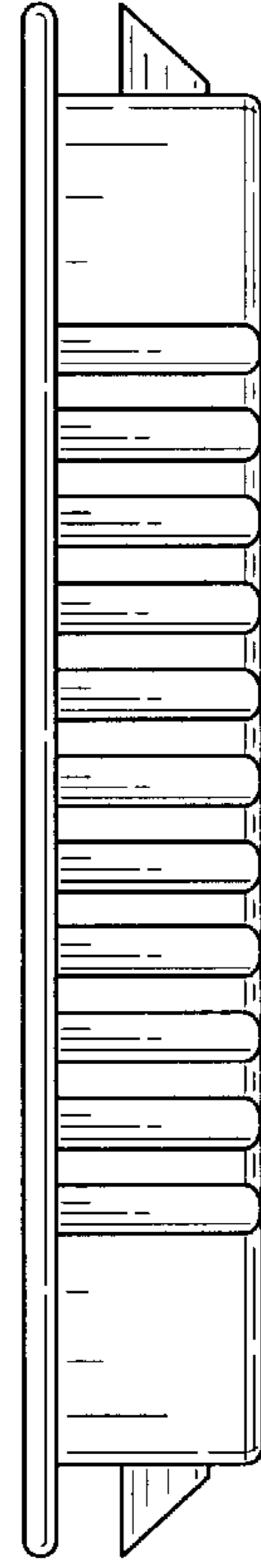


FIG-5

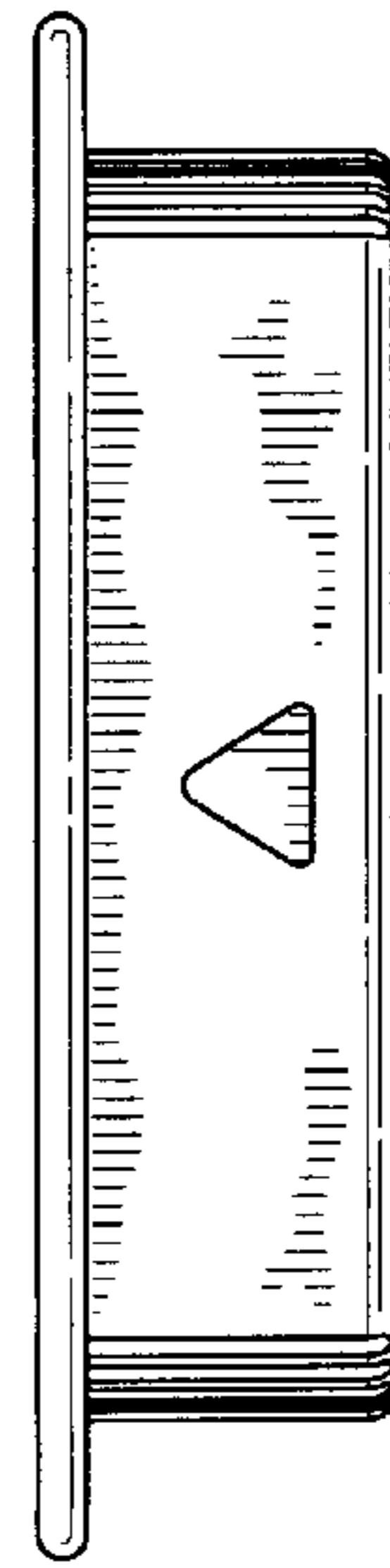


FIG-4

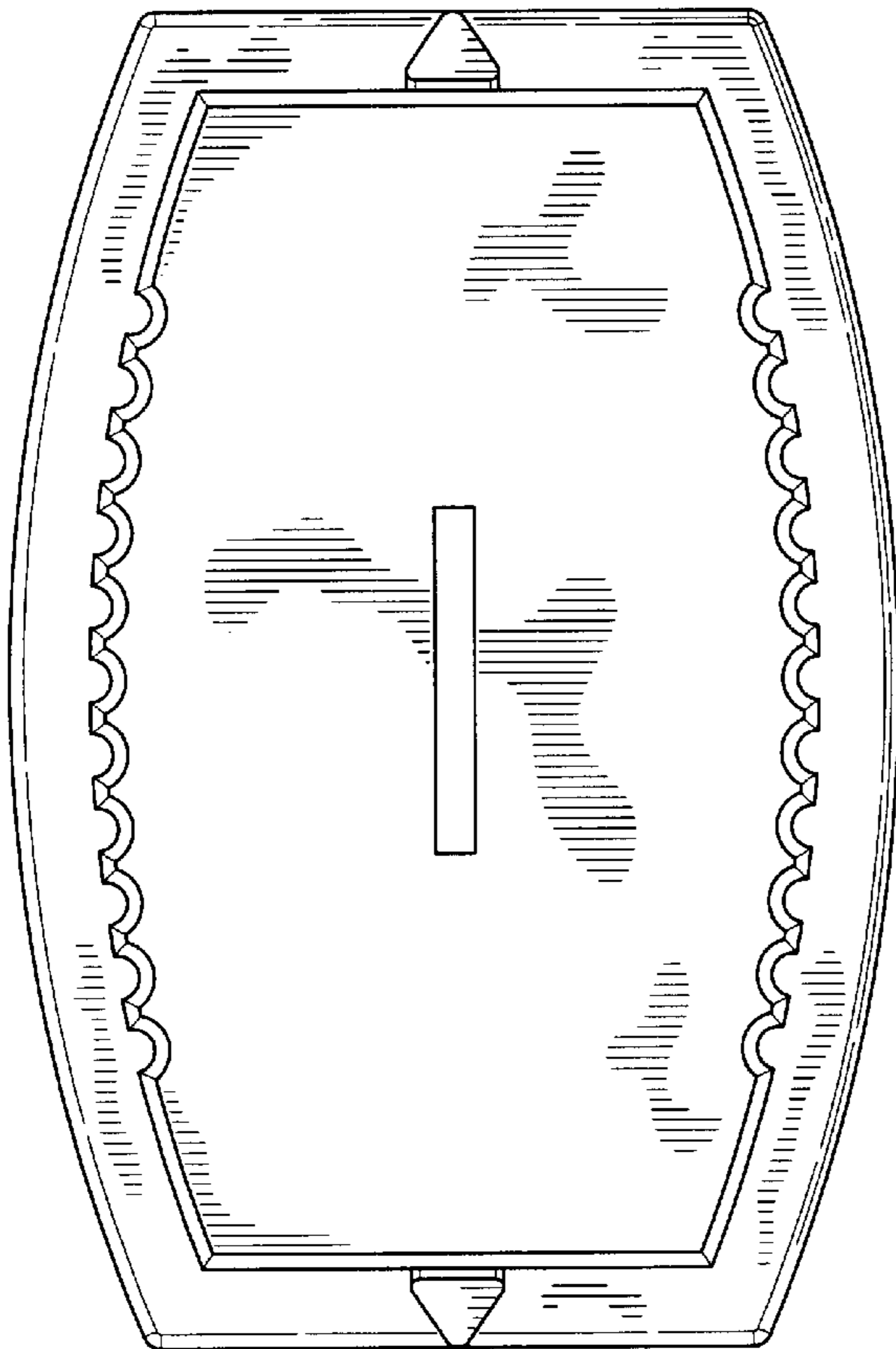


FIG-6

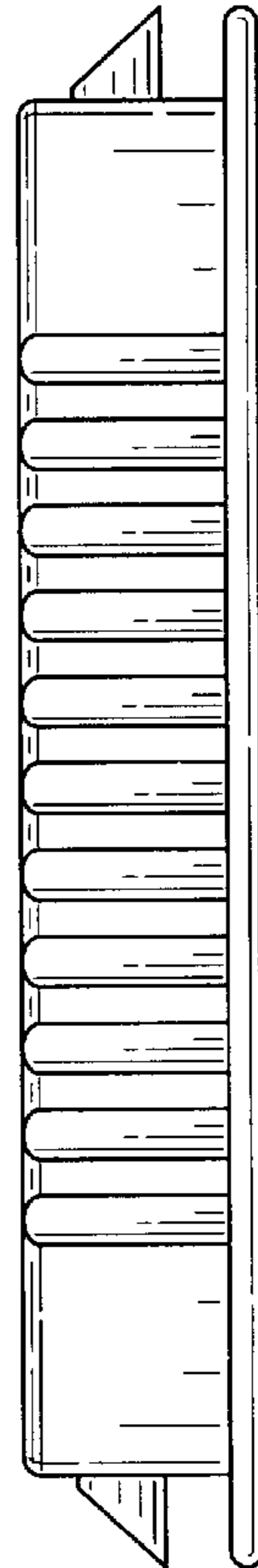


FIG-7

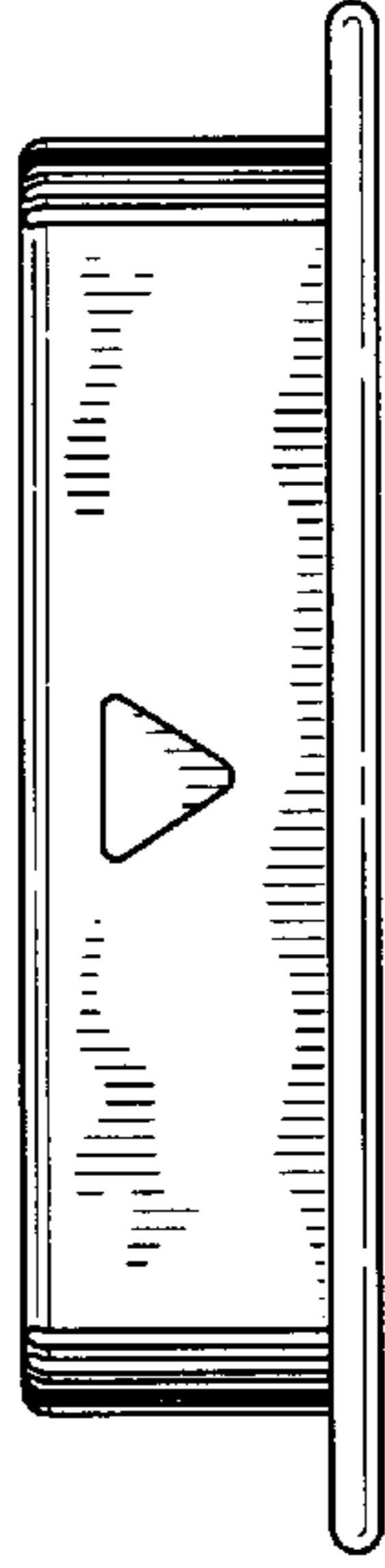


FIG-8

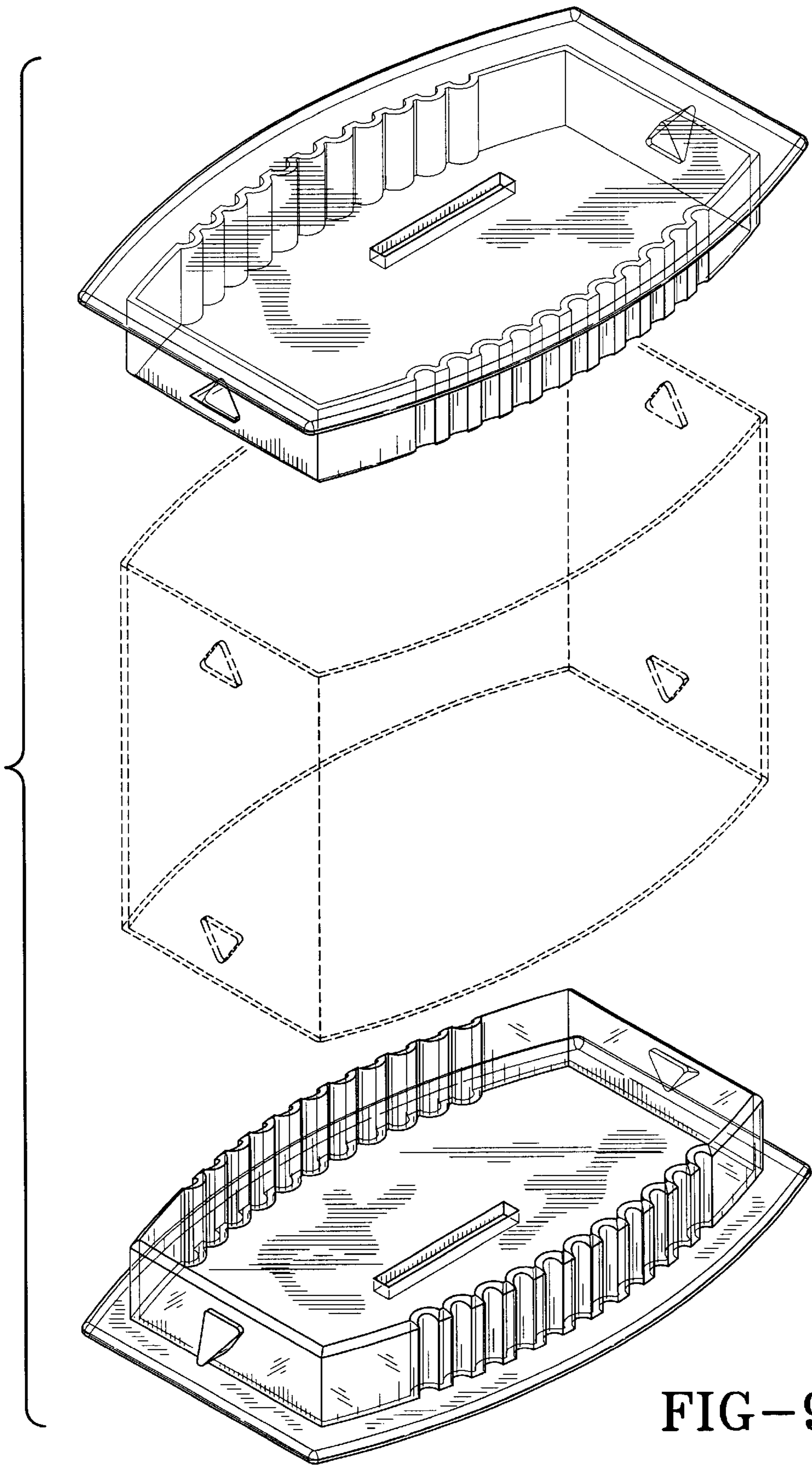


FIG-9