



US00D470399S

(12) **United States Design Patent**
McDonough

(10) **Patent No.:**

US D470,399 S

(45) **Date of Patent:**

**** Feb. 18, 2003**

(54) **SET OF COUPLING ELEMENTS**

(76) **Inventor: Edward John McDonough, 22**
Alexander Parade, Arcadia Vale, New
South Wales 2289 (AU)

(**) **Term: 14 Years**

D283,872 S * 5/1986 Clendinen D8/394
D297,877 S * 9/1988 Bergstrom D8/382 X
D297,878 S * 9/1988 Bergstrom D8/382 X
4,926,754 A * 5/1990 Feuz 104/112
4,989,782 A * 2/1991 McKie 238/105
5,355,805 A * 10/1994 Haab et al. 104/106

* cited by examiner

(21) **Appl. No.: 29/116,031**
(22) **Filed: Dec. 23, 1999**

Primary Examiner—Alan P. Douglas
Assistant Examiner—Clare E. Heflin
(74) *Attorney, Agent, or Firm*—Cesari & McKenna, LLP

(30) **Foreign Application Priority Data**
Jun. 30, 1999 (AU) 2056/99
(51) **LOC (7) Cl. 08-08**
(52) **U.S. Cl. D8/382**
(58) **Field of Search D8/382, 384, 385;**
D25/119; 238/34, 31, 14.14, 151, 166,
219, 310; 104/91, 115

(57) **CLAIM**

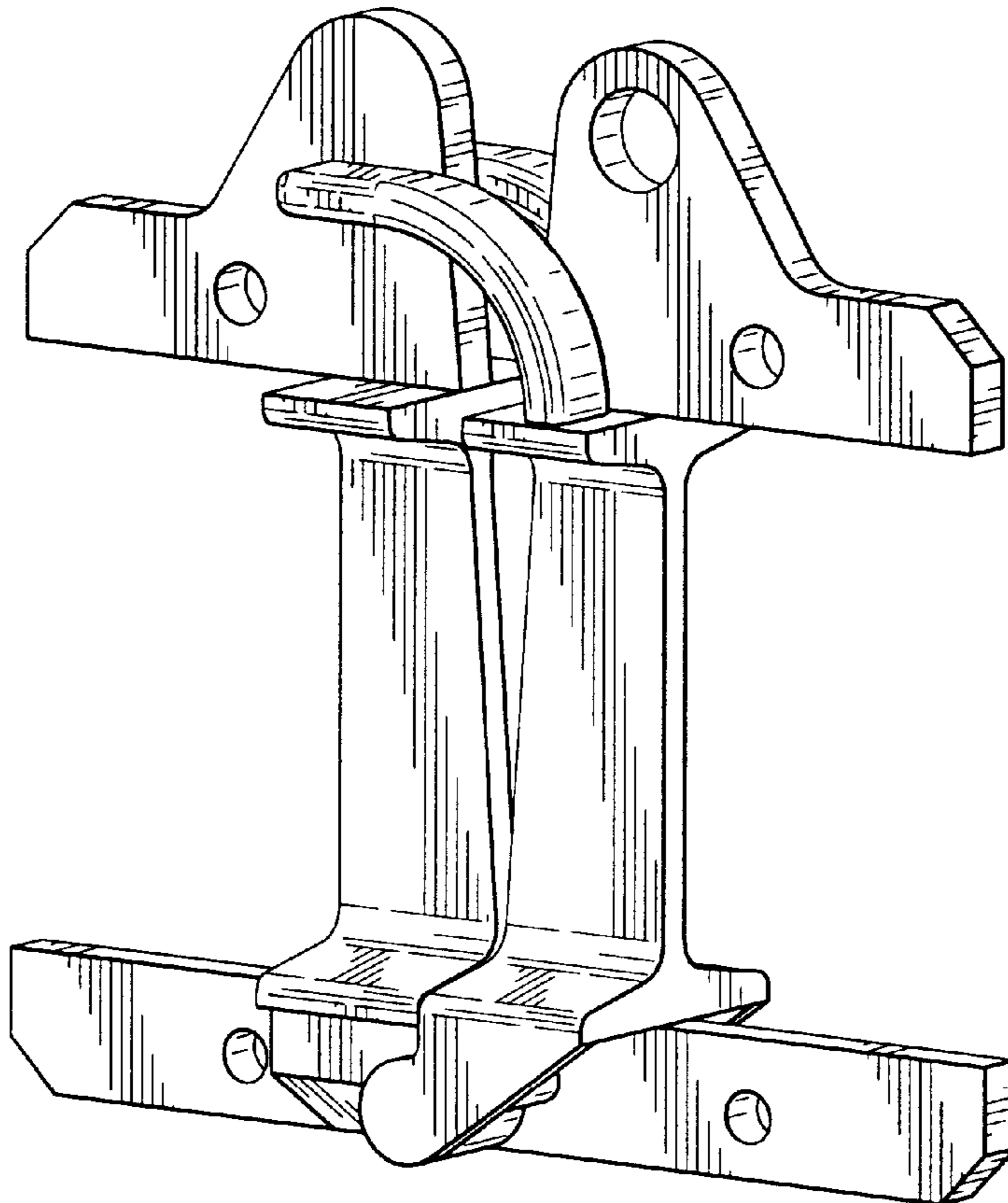
The ornamental design for a set of coupling elements, as shown and described.

DESCRIPTION

(56) **References Cited**
U.S. PATENT DOCUMENTS
D167,938 S * 10/1952 Grindstad
3,067,695 A * 12/1962 Shea 104/112
D217,116 S * 4/1970 Pieper
3,687,367 A * 8/1972 Schurch et al. 238/151
4,421,302 A * 12/1983 Grimm et al. 256/67

FIG. 1 is a right rear perspective view from above of a set of coupling elements embodying my new design, the left side being a mirror image of the right side;
FIG. 2 is a right rear perspective view from below thereof;
FIG. 3 is a left front perspective view from below thereof;
and,
FIG. 4 is a left front perspective view from above of the set of coupling elements as assembled.

1 Claim, 2 Drawing Sheets



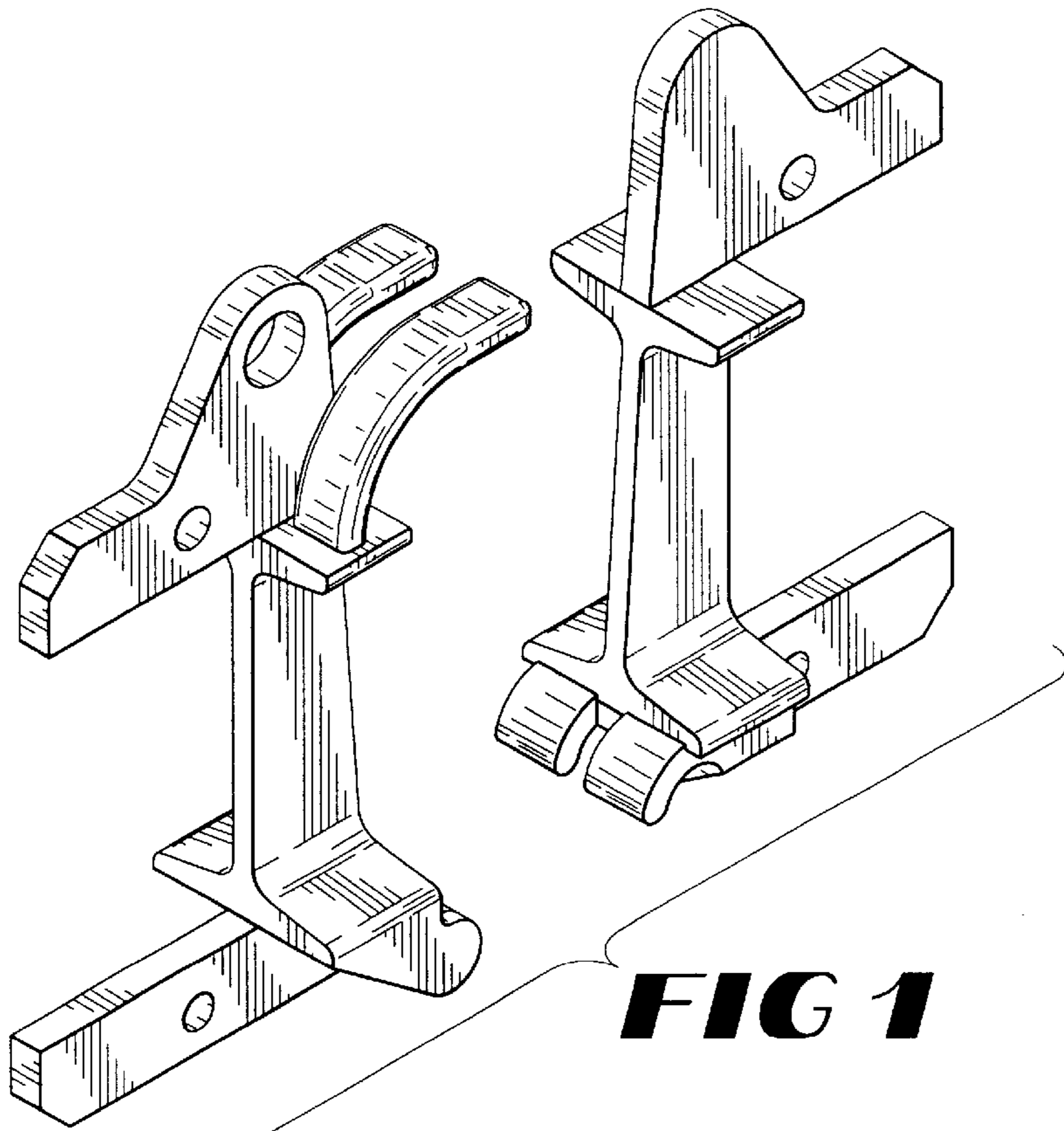


FIG 1

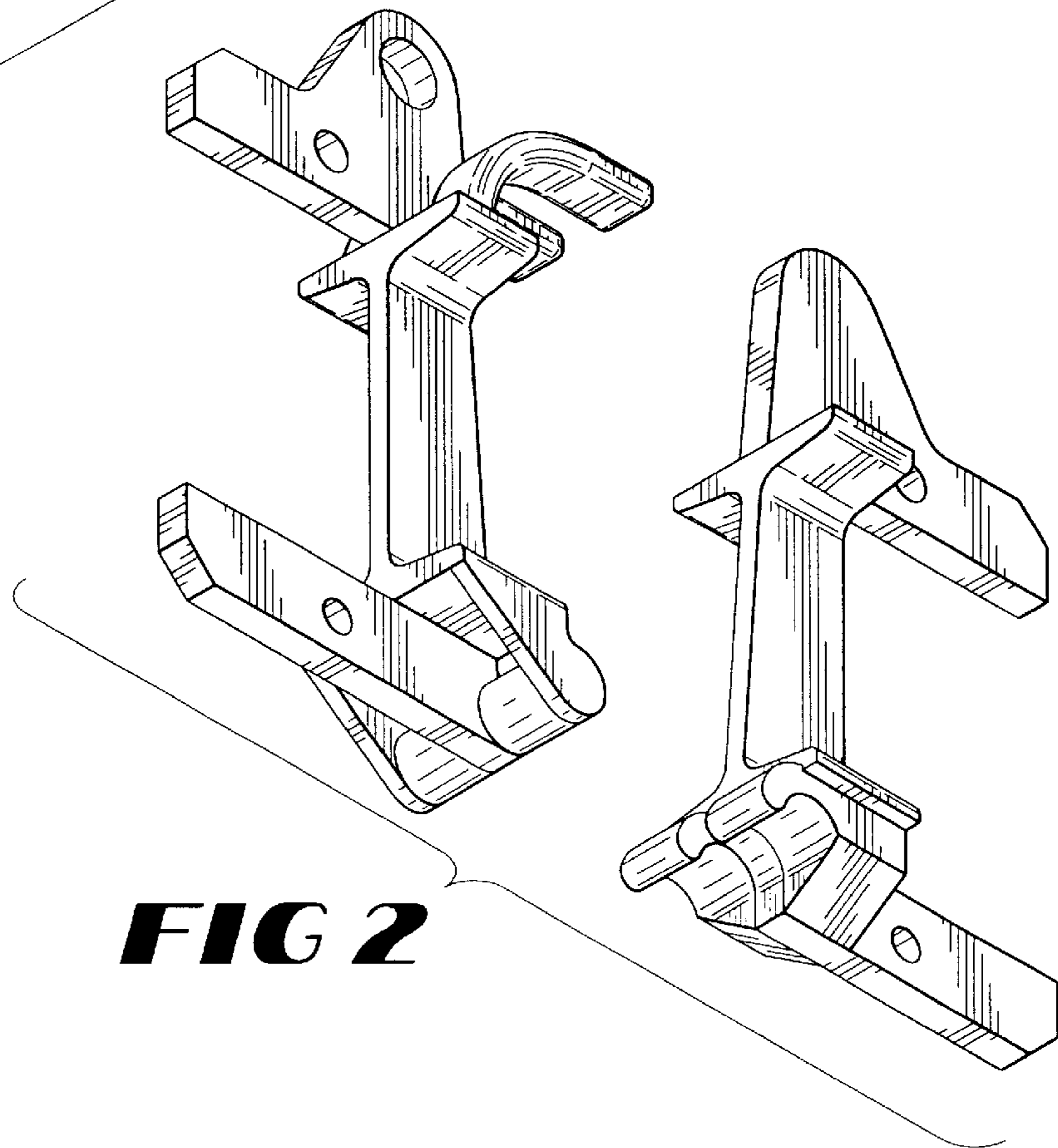


FIG 2

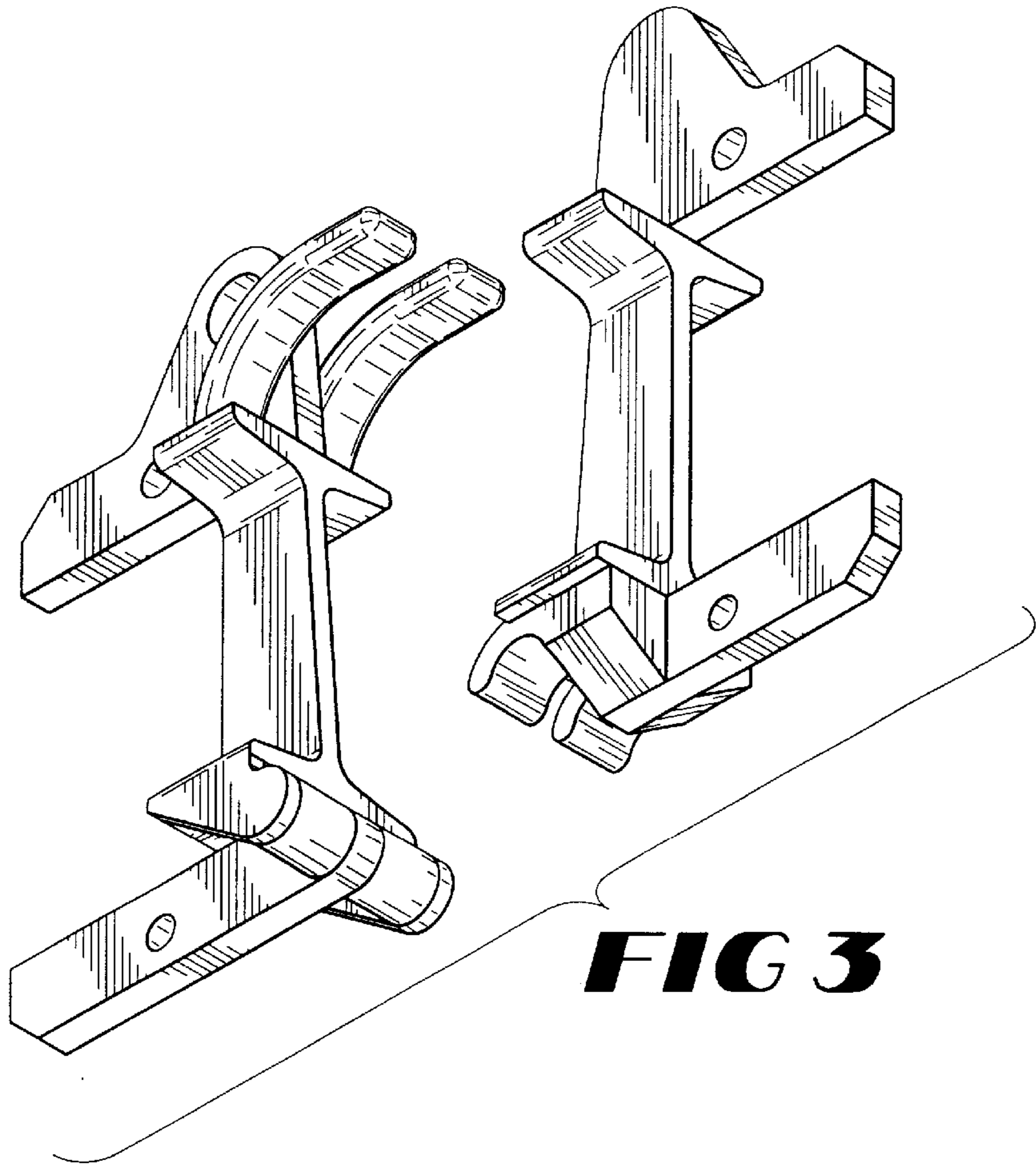


FIG 3

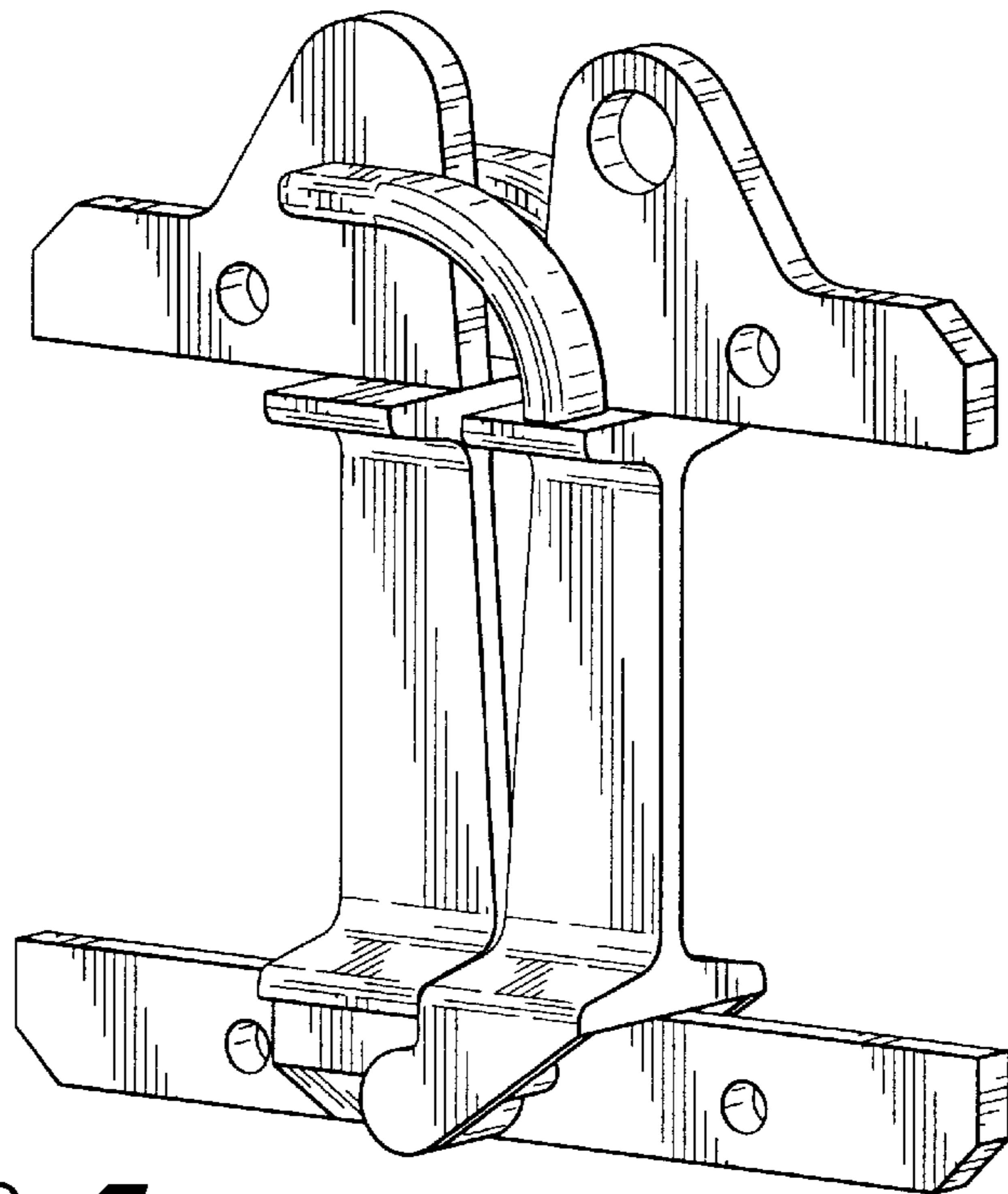


FIG 4