



US00D470398S

(12) **United States Design Patent**  
**Remmers**

(10) **Patent No.:** **US D470,398 S**

(45) **Date of Patent:** **\*\* Feb. 18, 2003**

(54) **SHELVING BRACKET**

(75) **Inventor:** **Lee Remmers, Ocala, FL (US)**

(73) **Assignee:** **Emerson Electric Co., St. Louis, MO (US)**

(\*\*) **Term:** **14 Years**

(21) **Appl. No.:** **29/136,802**

(22) **Filed:** **Feb. 6, 2001**

(51) **LOC (7) Cl.** ..... **08-05**

(52) **U.S. Cl.** ..... **D8/381**

(58) **Field of Search** ..... D8/381, 380, 373,  
D8/367; 248/235, 247, 250, 217.3; 108/152;  
211/134, 153, 183, 187, 90.01

(56) **References Cited**

**U.S. PATENT DOCUMENTS**

494,622 A *	4/1893	Bradley	.....	248/235
2,268,237 A	12/1941	Beegle	.....	248/235
3,270,997 A *	9/1966	Gethmann	.....	182/113
3,669,395 A	6/1972	Gehrke	.....	248/235
D234,925 S *	4/1975	Kallansrud	.....	D12/115
4,361,099 A	11/1982	Kokenge et al.	.....	108/152
4,374,498 A	2/1983	Yellin	.....	108/114
D280,595 S *	9/1985	Wilk	.....	D8/349
4,783,035 A	11/1988	Remmers	.....	248/250
D311,860 S *	11/1990	Remmers	.....	D8/381
D344,885 S *	3/1994	Loew	.....	D8/373
D347,379 S *	5/1994	Alt	.....	D8/367
5,346,077 A	9/1994	Randall	.....	211/90
5,584,405 A	12/1996	Tunzi	.....	211/153
5,695,080 A	12/1997	Martin	.....	211/183
5,779,069 A	7/1998	Scully	.....	211/153
5,836,461 A	11/1998	Kokenge et al.	.....	211/153

5,988,409 A	11/1999	Gusdorf et al.	.....	211/90
6,024,333 A	2/2000	Raasch et al.	.....	248/247
6,073,784 A	6/2000	Hattingh et al.	.....	211/90.01

\* cited by examiner

*Primary Examiner*—Pamela Burgess

(74) *Attorney, Agent, or Firm*—Howrey Simon Arnold & White LLP

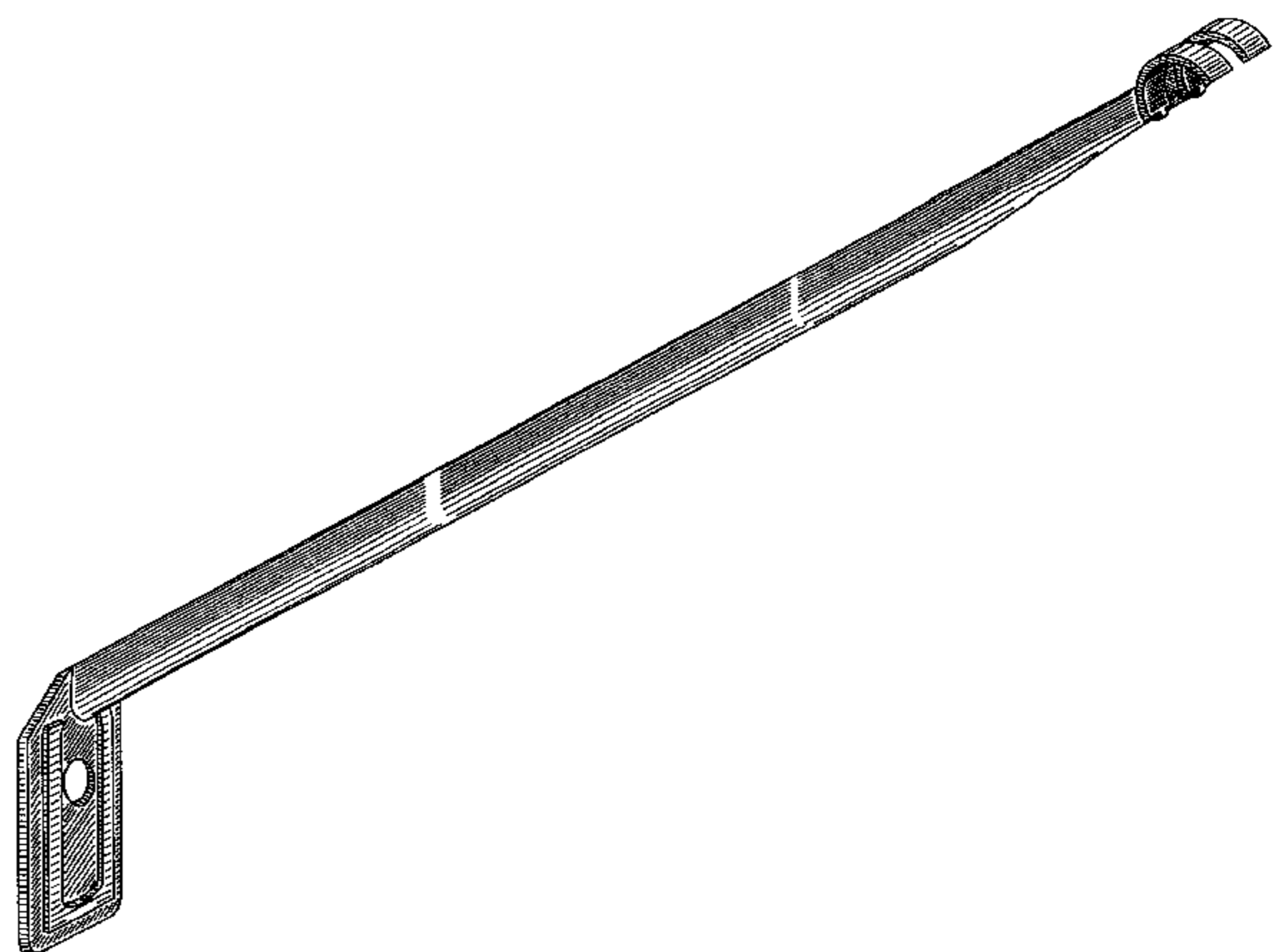
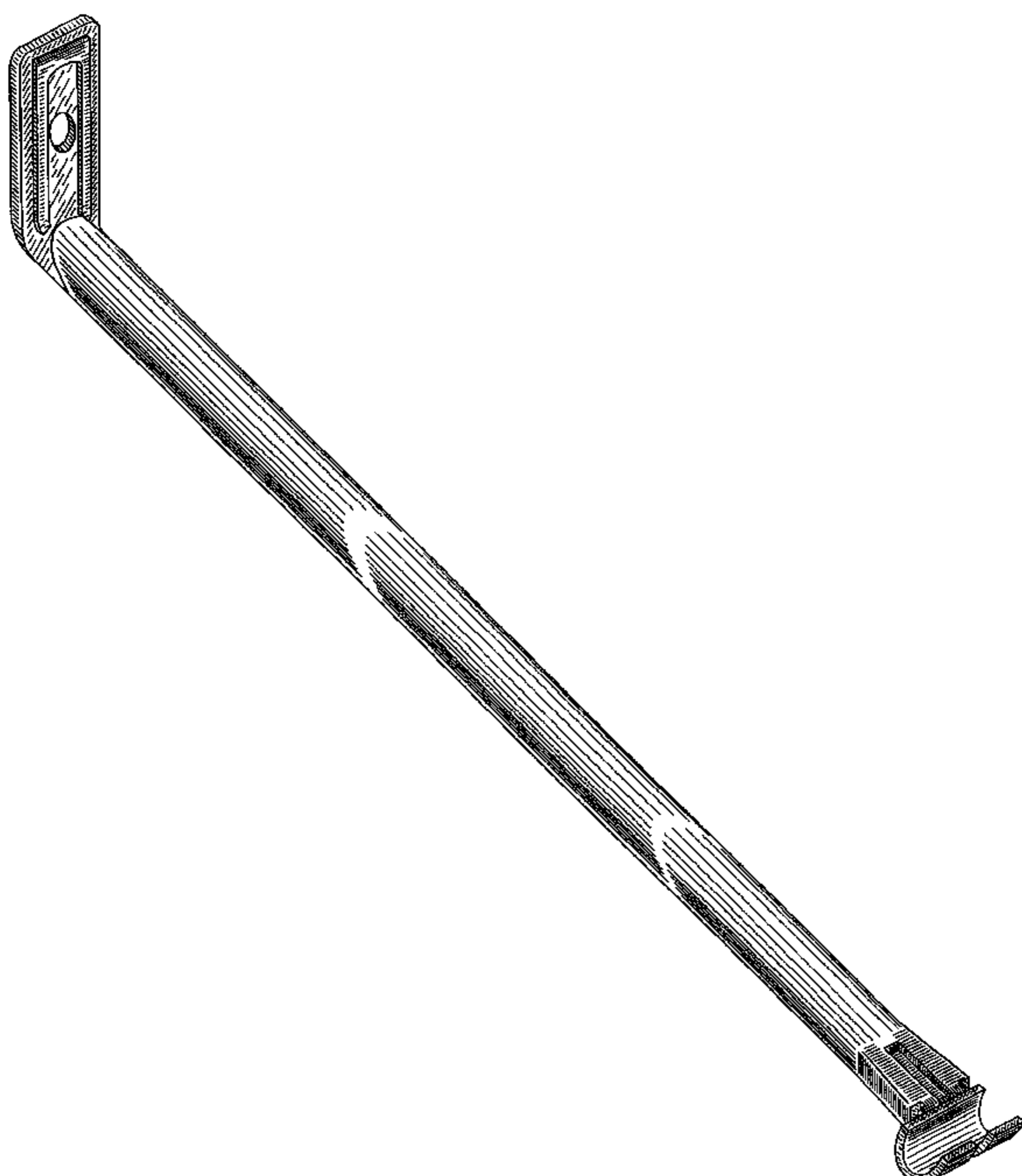
(57) **CLAIM**

The ornamental design for a shelving bracket, as shown and described.

**DESCRIPTION**

FIG. 1 is a top, front perspective view of the shelving bracket, having a first and a second end;  
 FIG. 2 is a bottom perspective view of the shelving bracket, having a first and a second end;  
 FIG. 3 is a side view of the first end of the shelving bracket;  
 FIG. 4 is a side elevation view of the second end of the shelving bracket;  
 FIG. 5 is a bottom view of the second end of the shelving bracket;  
 FIG. 6 is a bottom view of the first end of the shelving bracket;  
 FIG. 7 is a top view of the second end of the shelving bracket; and,  
 FIG. 8 is a top view of the first end of the shelving bracket.  
 It is understood that FIGS. 3–8 are enlarged fragmentary views for clarity of disclosure.  
 The surface shading on the illustrated shelving bracket is intended only to show the character and contour of the surfaces and not surface indicia.

**1 Claim, 4 Drawing Sheets**



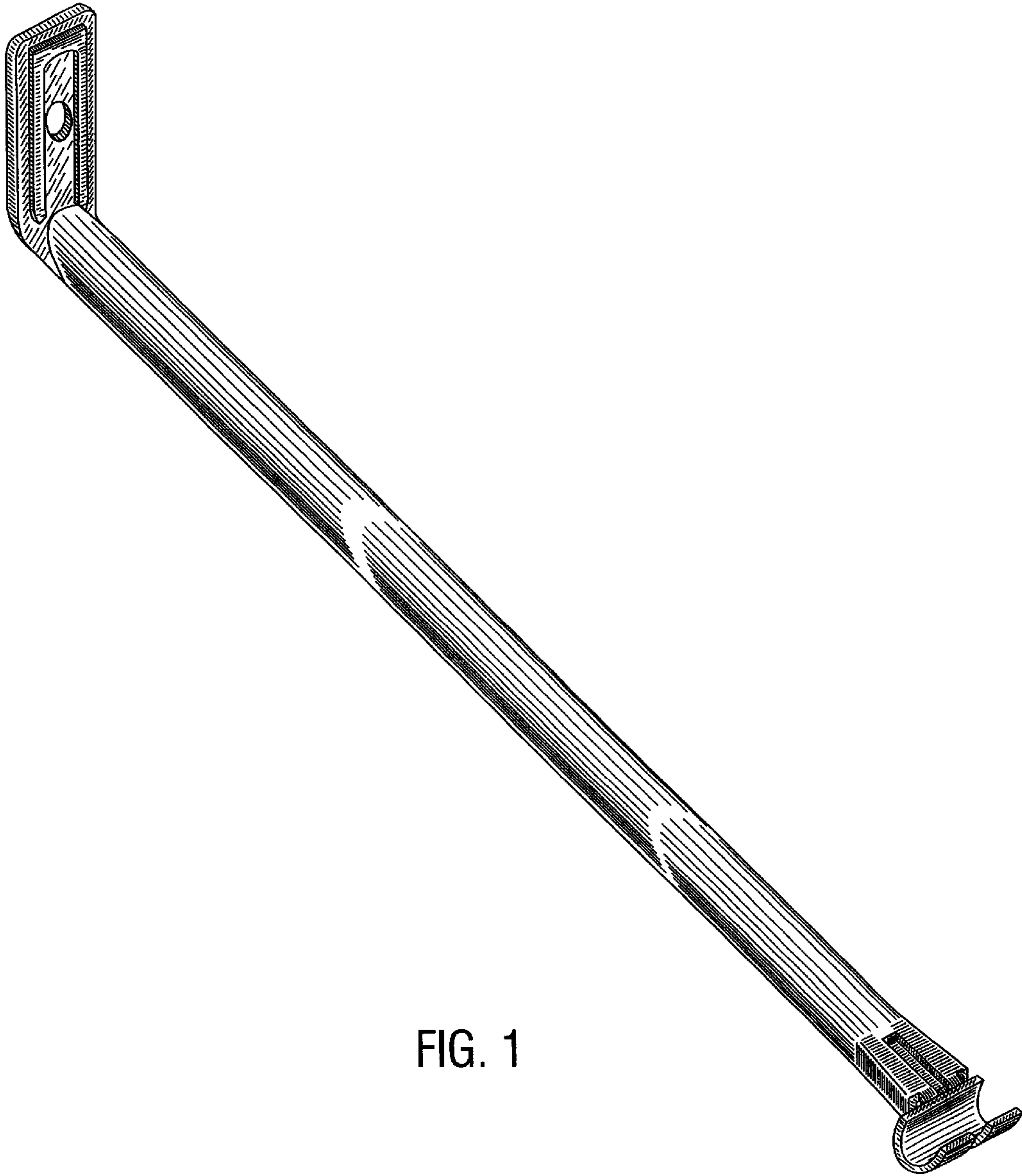


FIG. 1

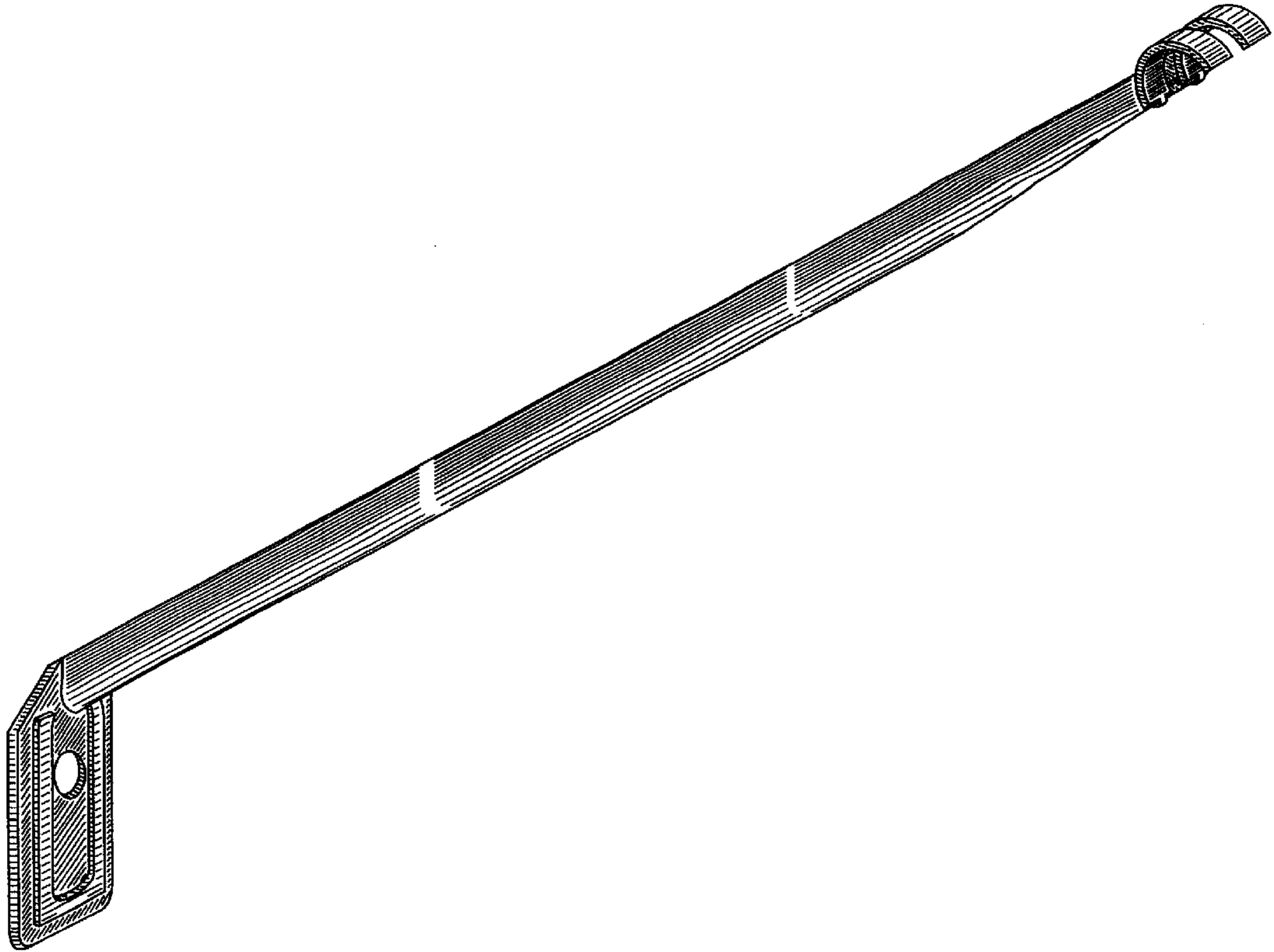


FIG. 2

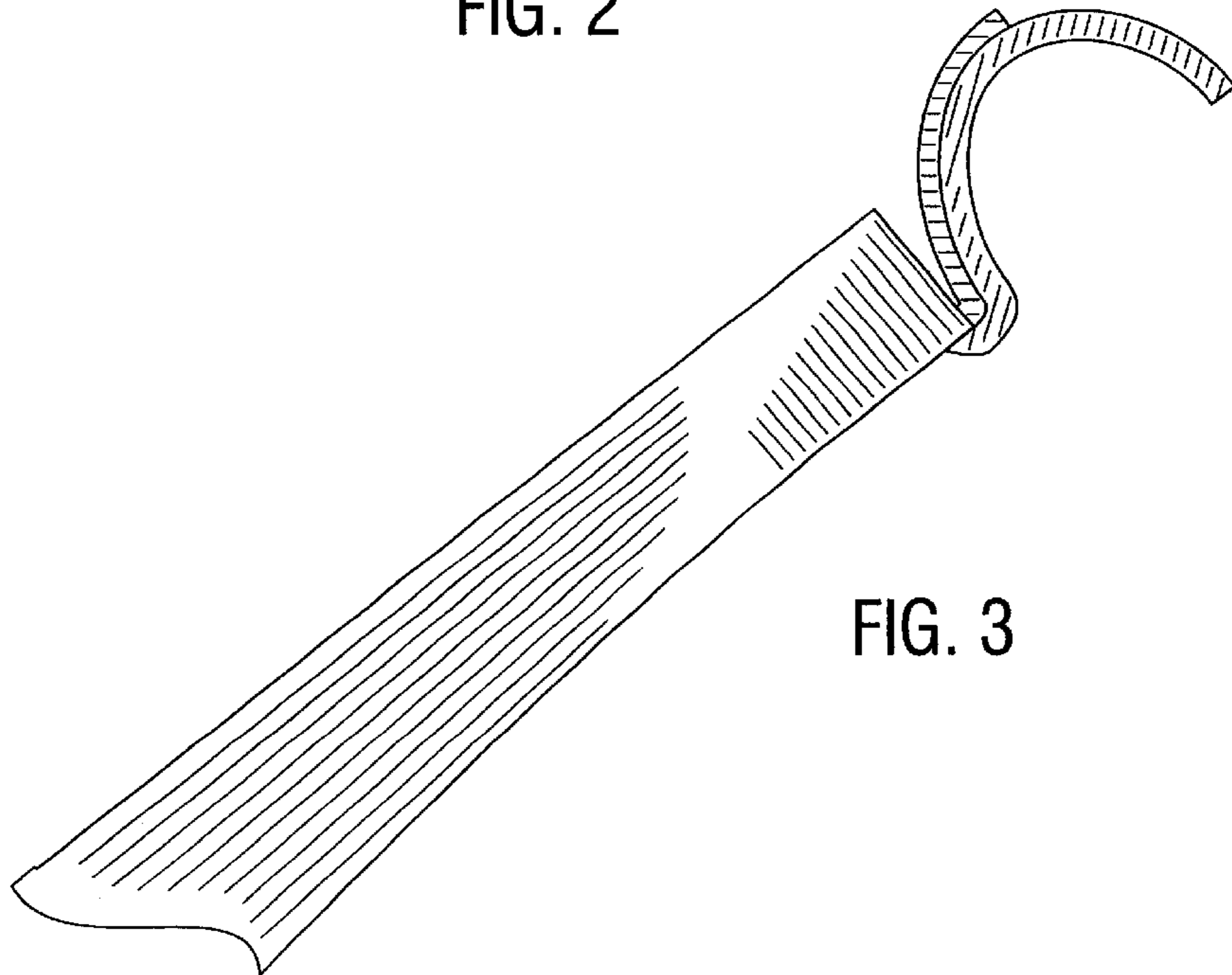


FIG. 3

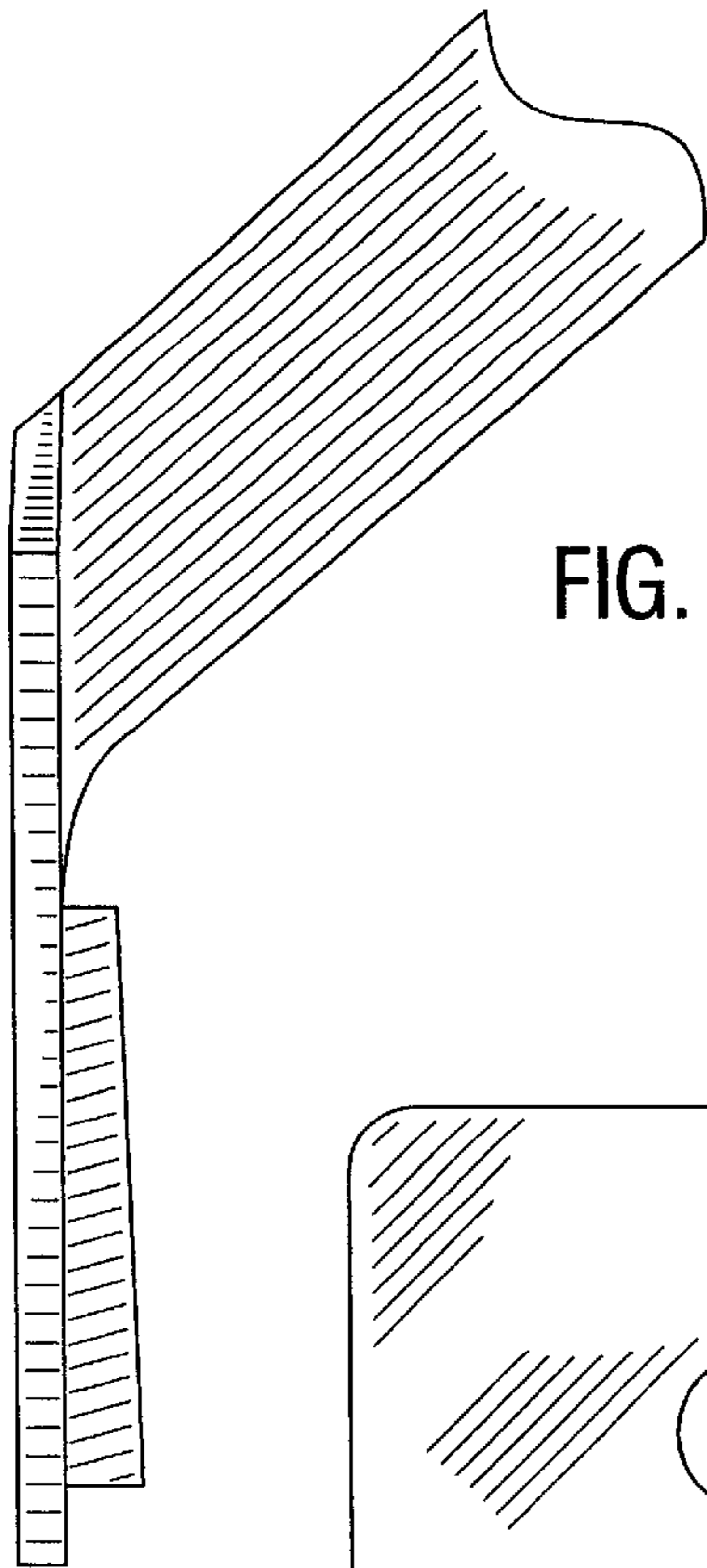


FIG. 4

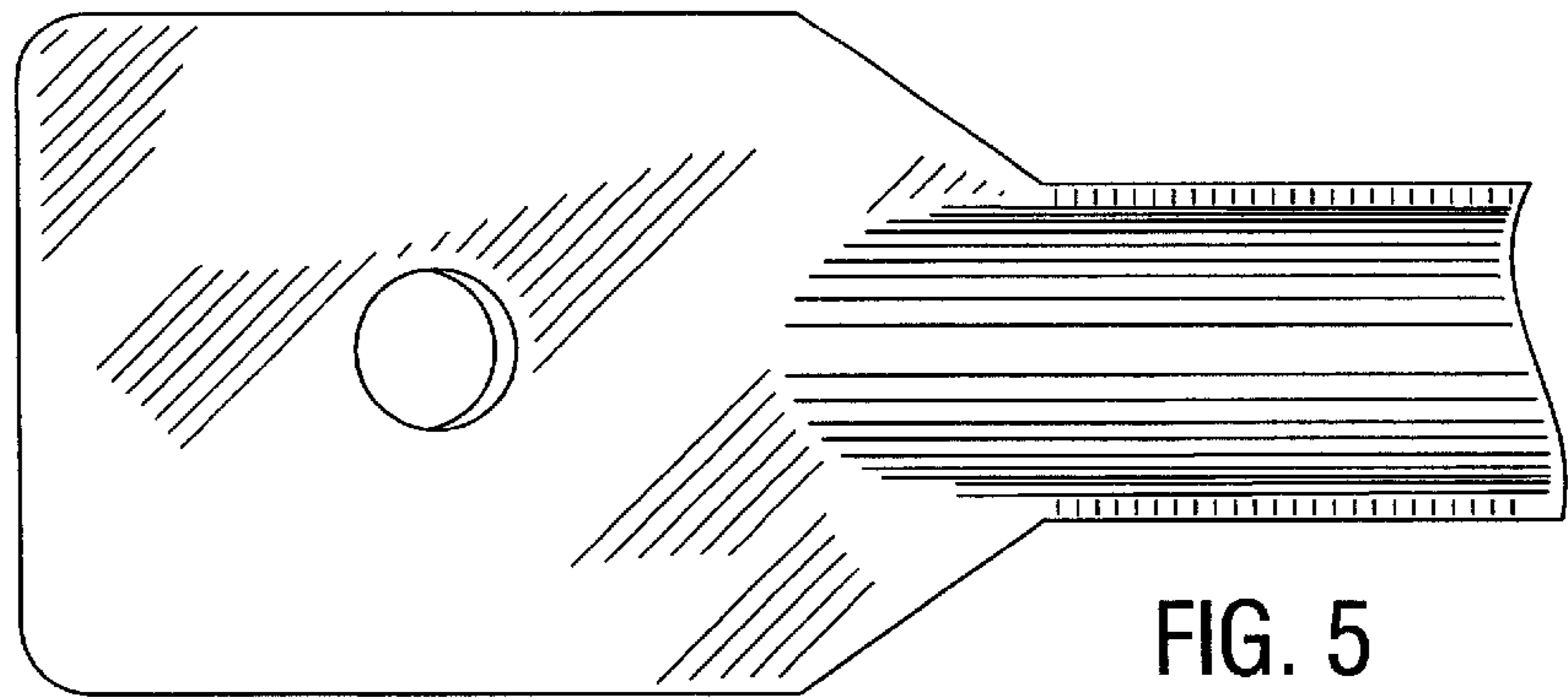


FIG. 5

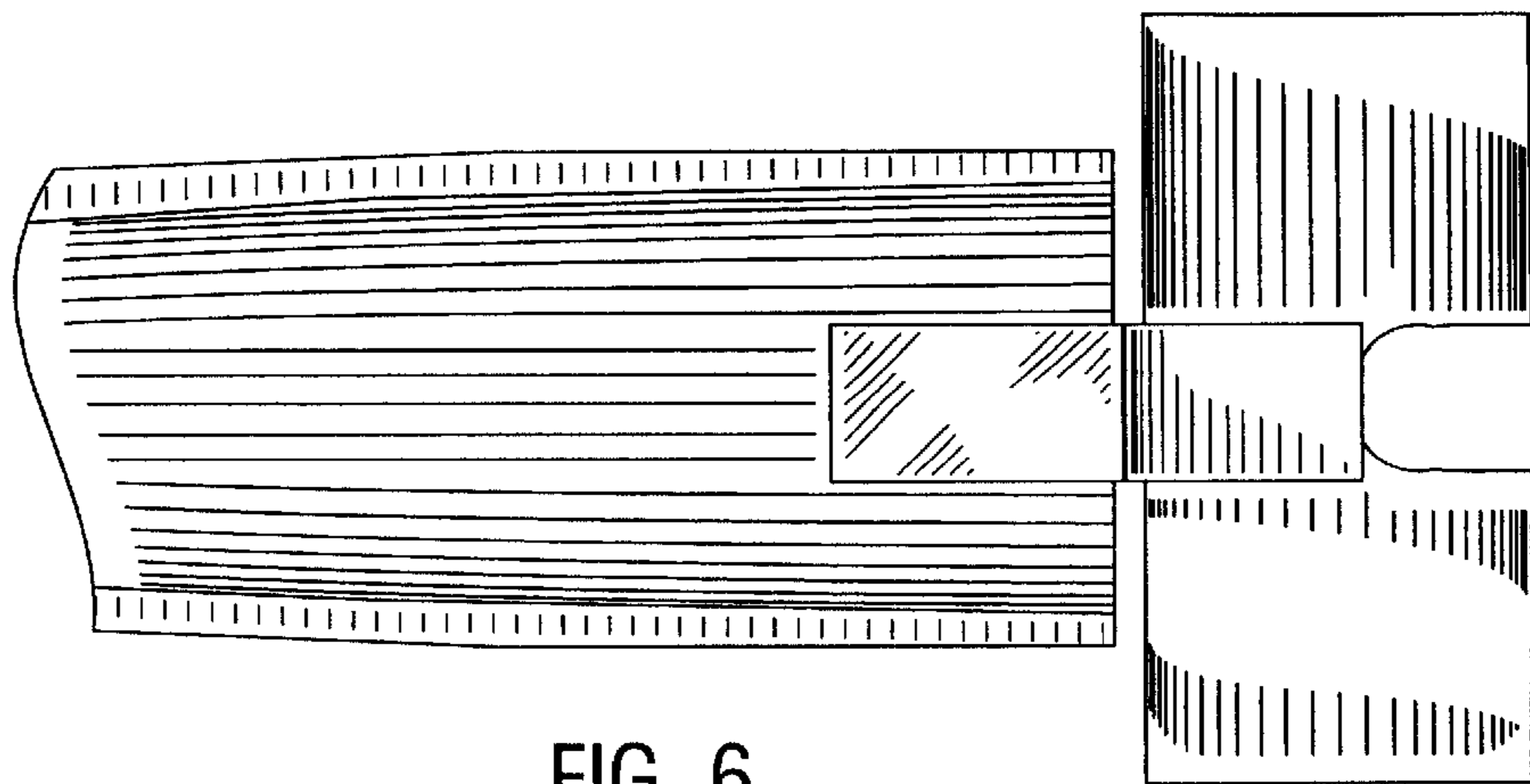


FIG. 6

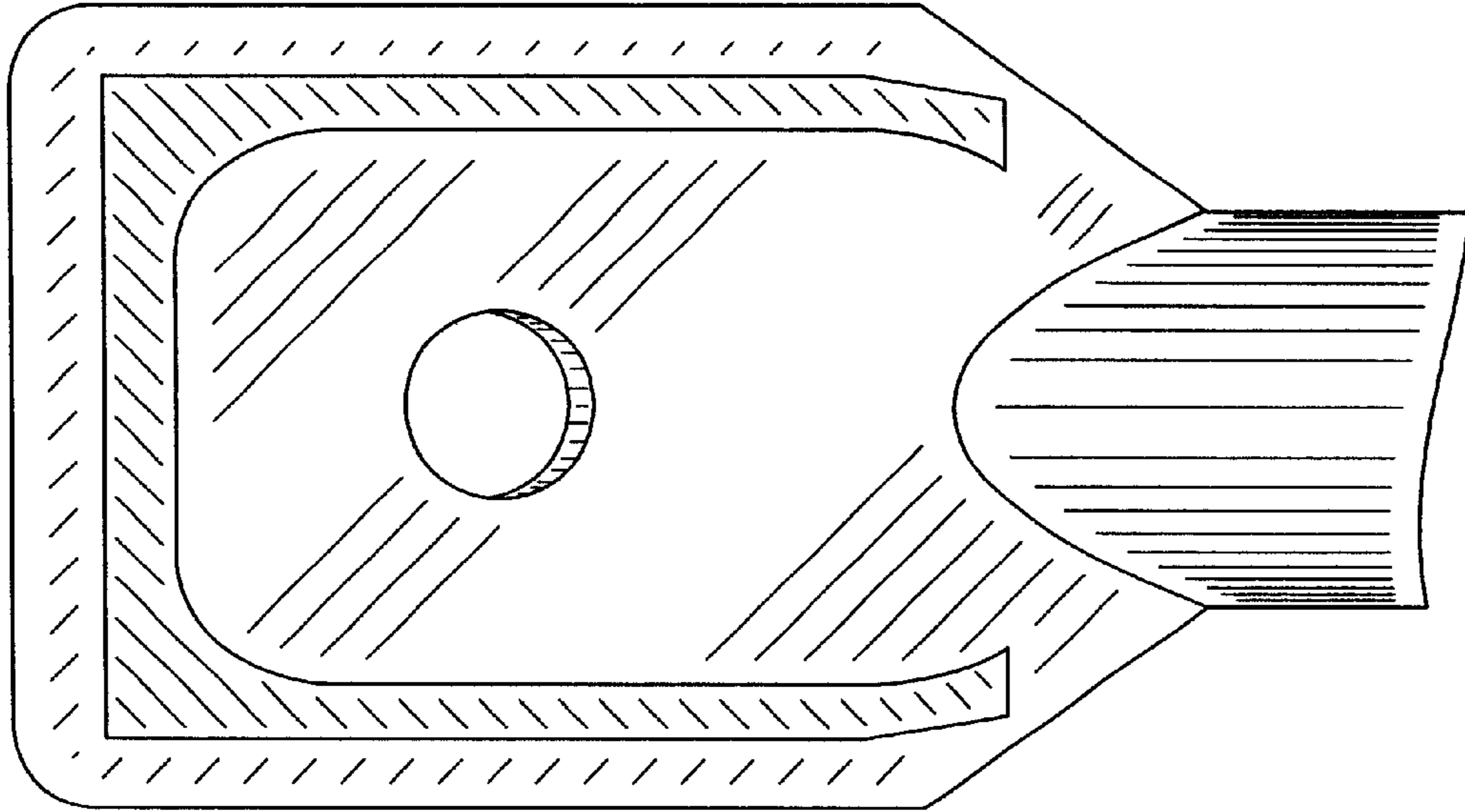


FIG. 7

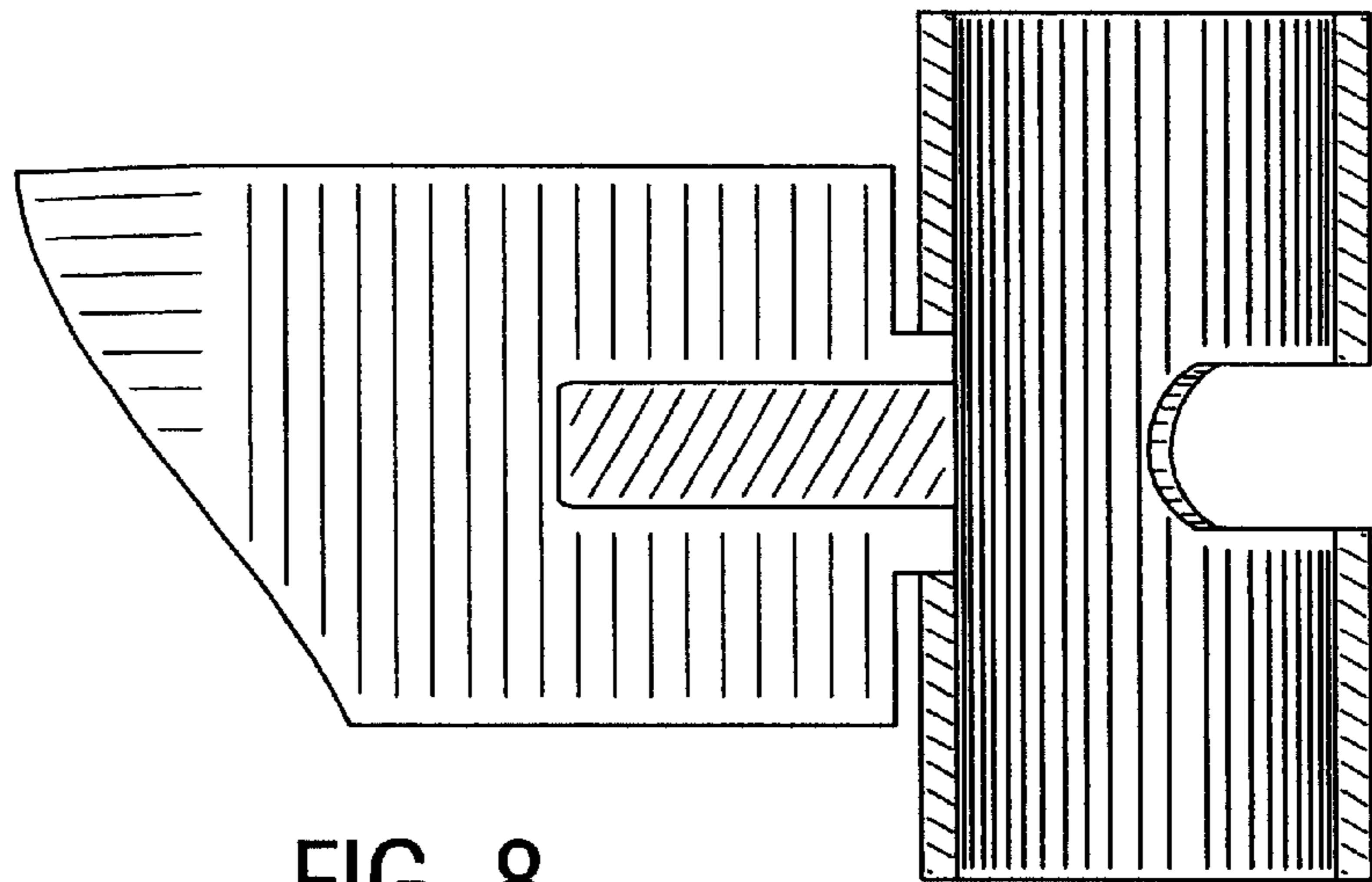


FIG. 8