



US00D470397S

(12) **United States Design Patent**
Valiulis et al.

(10) **Patent No.:** **US D470,397 S**

(45) **Date of Patent:** **** Feb. 18, 2003**

(54) **MOUNTING BACK**

(75) Inventors: **Stanley C. Valiulis**, Rockford, IL (US);
Craig Zadak, Roscoe, IL (US)

(73) Assignee: **Southern Imperial, Inc.**, Rockford, IL (US)

(**) Term: **14 Years**

(21) Appl. No.: **29/163,584**

(22) Filed: **Jul. 8, 2002**

Related U.S. Application Data

(63) Continuation-in-part of application No. 09/761,875, filed on Jan. 17, 2001.

(51) **LOC (7) Cl.** **08-05**

(52) **U.S. Cl.** **D8/380; D8/371**

(58) **Field of Search** D8/380, 349, 371,
D8/367, 354; 248/220.42, 317, 467, 303-304,
220.41, 220.43, 220.31, 220.22, 222.12,
222.11, 228.4, 216.4, 216.1, 218.1, 215,
214, 205.3; 40/606; 211/65, 66, 69, 60.1,
59.1, 175, 96, 102, 113

(56) **References Cited**

U.S. PATENT DOCUMENTS

4,750,698	A	*	6/1988	Barnes	211/59.1
4,898,354	A	*	2/1990	Whittington et al.	211/175
D310,623	S	*	9/1990	Aranibar	248/250
D315,093	S	*	3/1991	Hanna	D8/349
5,009,381	A	*	4/1991	Hermanson	211/59.1
6,186,455	B1	*	2/2001	Hollingsworth et al.	...	211/59.1

* cited by examiner

Primary Examiner—Pamela Burgess

(74) *Attorney, Agent, or Firm*—Leydig, Voit & Mayer, Ltd.

(57) **CLAIM**

We claim the ornamental design for the mounting back, as shown and described.

DESCRIPTION

FIG. 1 is a perspective view, taken from the front and left, of the mounting back of the present invention;
 FIG. 2 is a perspective view, taken from the front and left, of the mounting back shown in FIG. 1;
 FIG. 3 is a top view of the mounting back shown in FIG. 1;
 FIG. 4 is a front view of the mounting back shown in FIG. 1;
 FIG. 5 is a bottom view of the mounting back shown in FIG. 1;
 FIG. 6 is a side view, taken from the left, of the mounting back shown in FIG. 1;
 FIG. 7 is a side view, taken from the right, of the mounting back shown in FIG. 1;
 FIG. 8 is a rear view of the mounting back shown in FIG. 1;
 FIG. 9 is a perspective view, taken from the front and left, of another embodiment of the mounting back of the present invention;
 FIG. 10 is a perspective view, taken from the front and right, of the mounting back shown in FIG. 9;
 FIG. 11 is a top view of the mounting back shown in FIG. 9;
 FIG. 12 is a front view of the mounting back shown in FIG. 9;
 FIG. 13 is a bottom view of the mounting back shown in FIG. 9; and
 FIG. 14 is a side view, taken from the left, of the mounting back shown in FIG. 10;
 FIG. 15 is a side view, taken from the right, of the mounting back showing in FIG. 9; and,
 FIG. 16 is a rear view of the mounting back shown in FIG. 9.

1 Claim, 6 Drawing Sheets

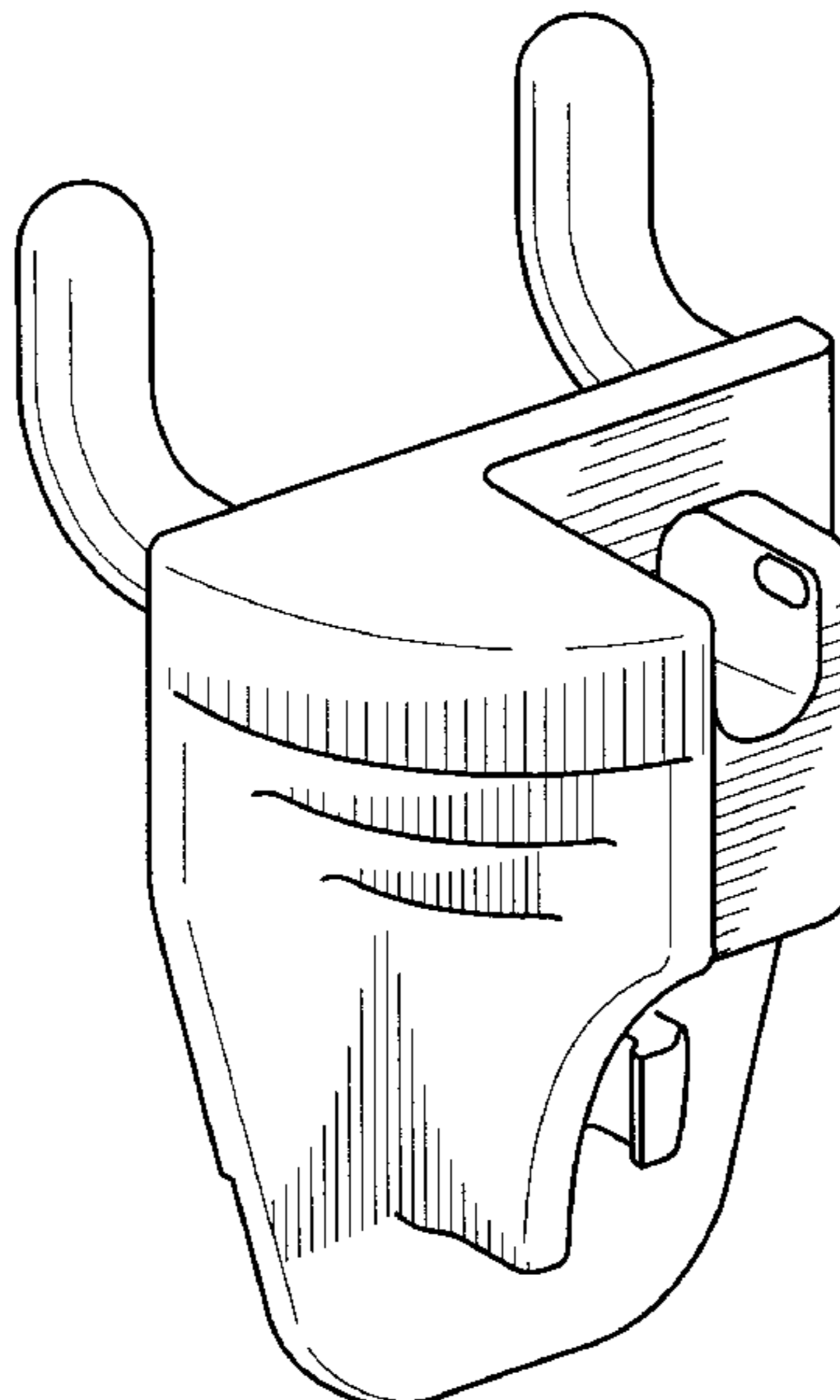


FIG. 1

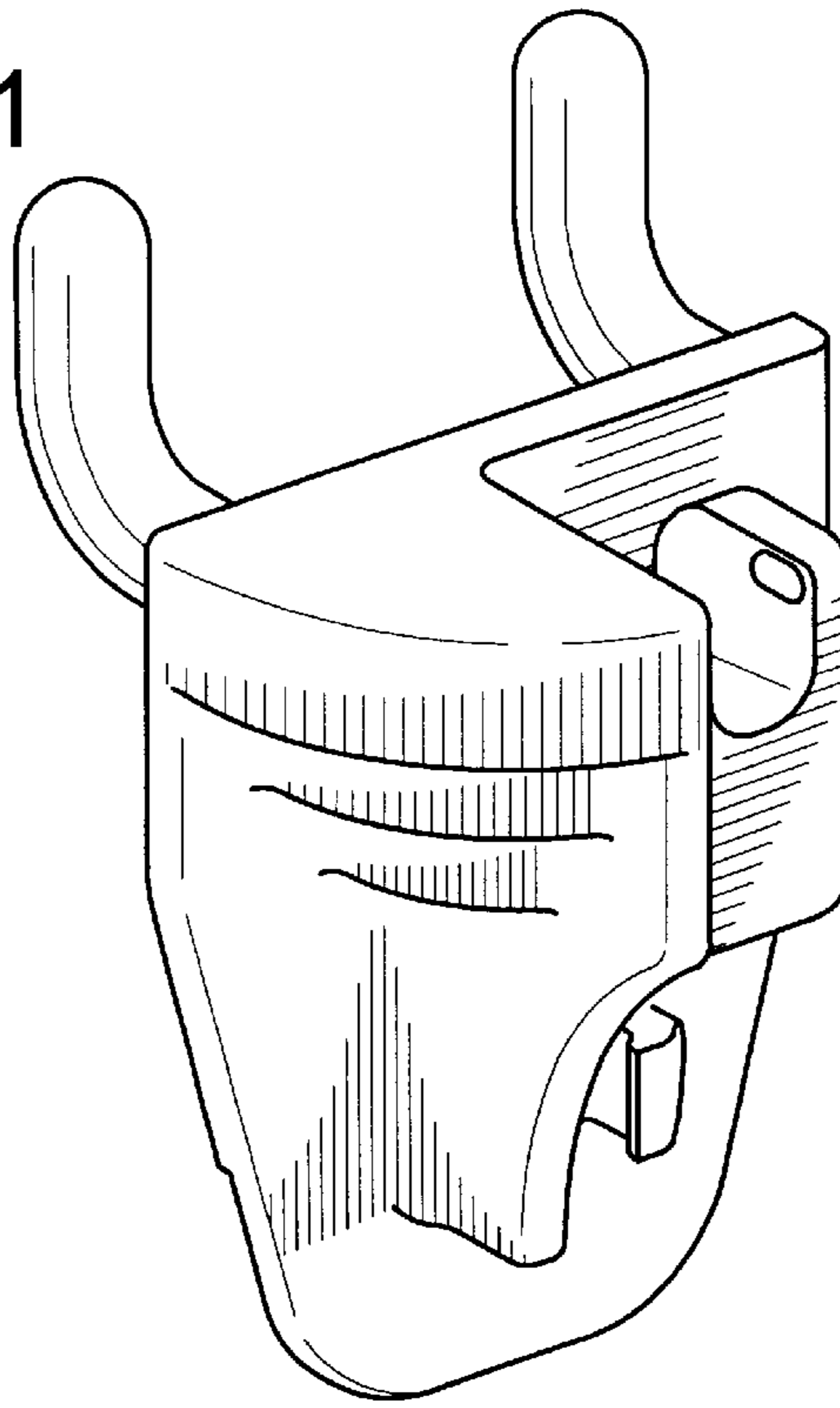


FIG. 2

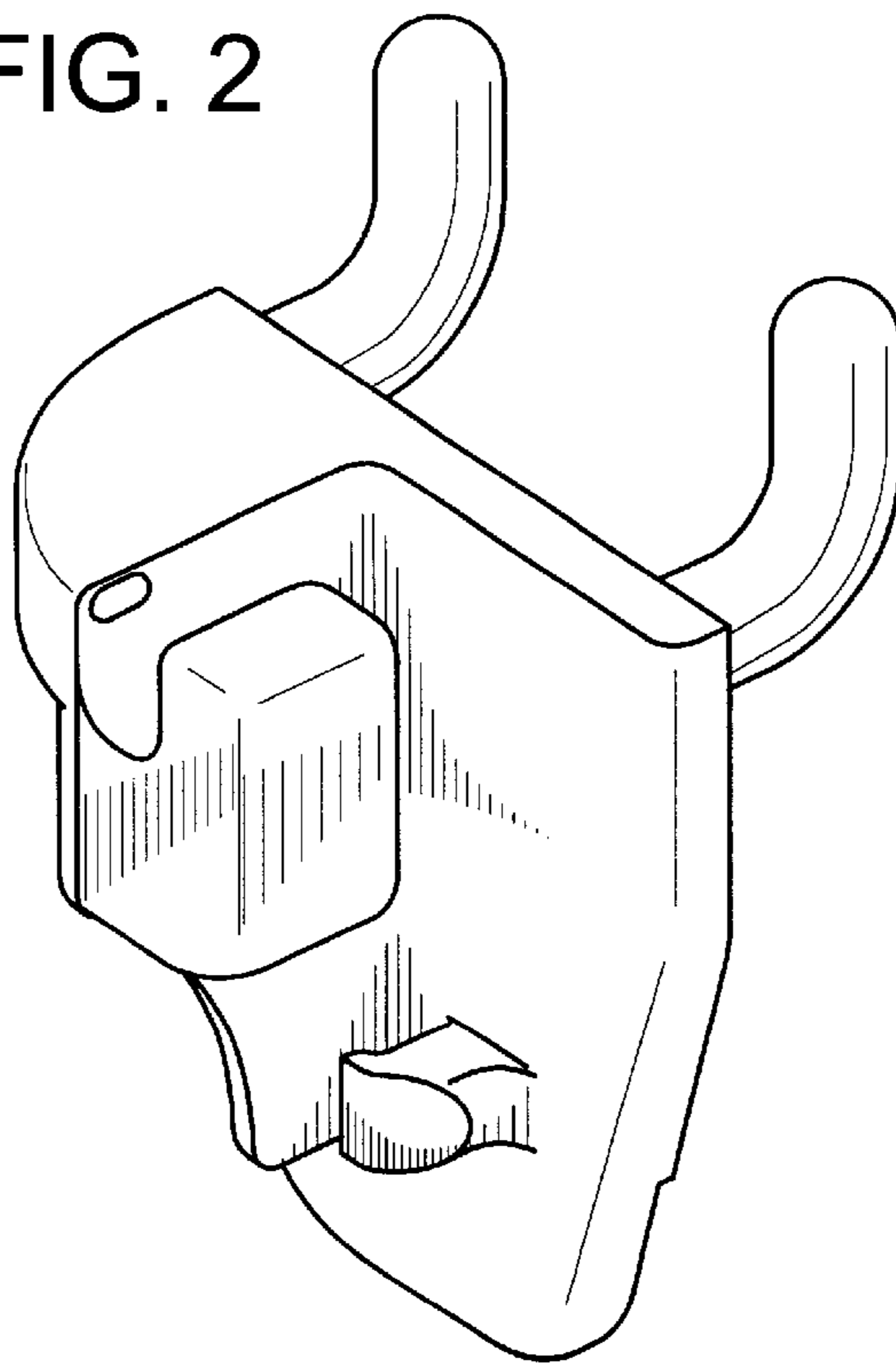


FIG. 3

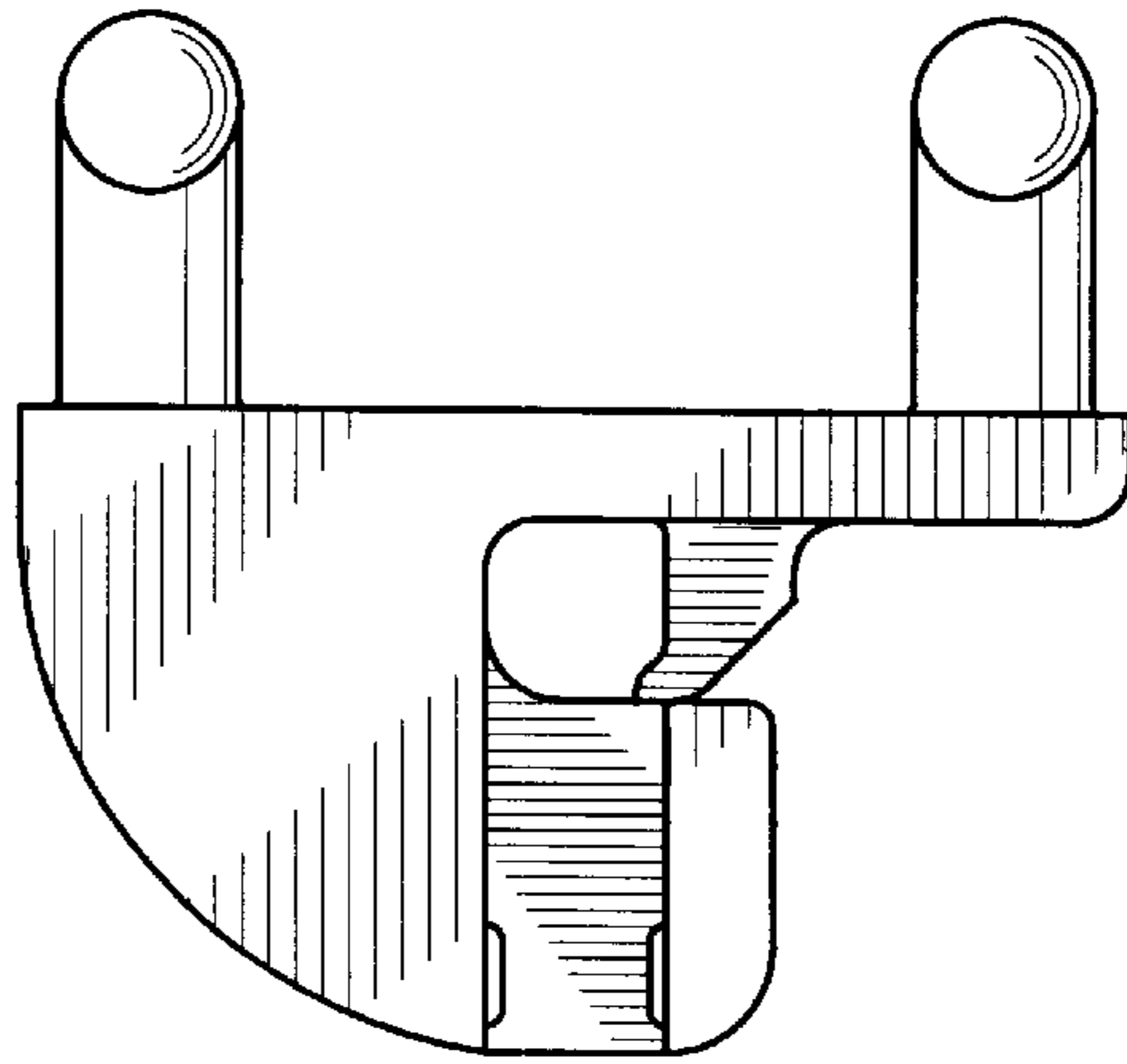


FIG. 4

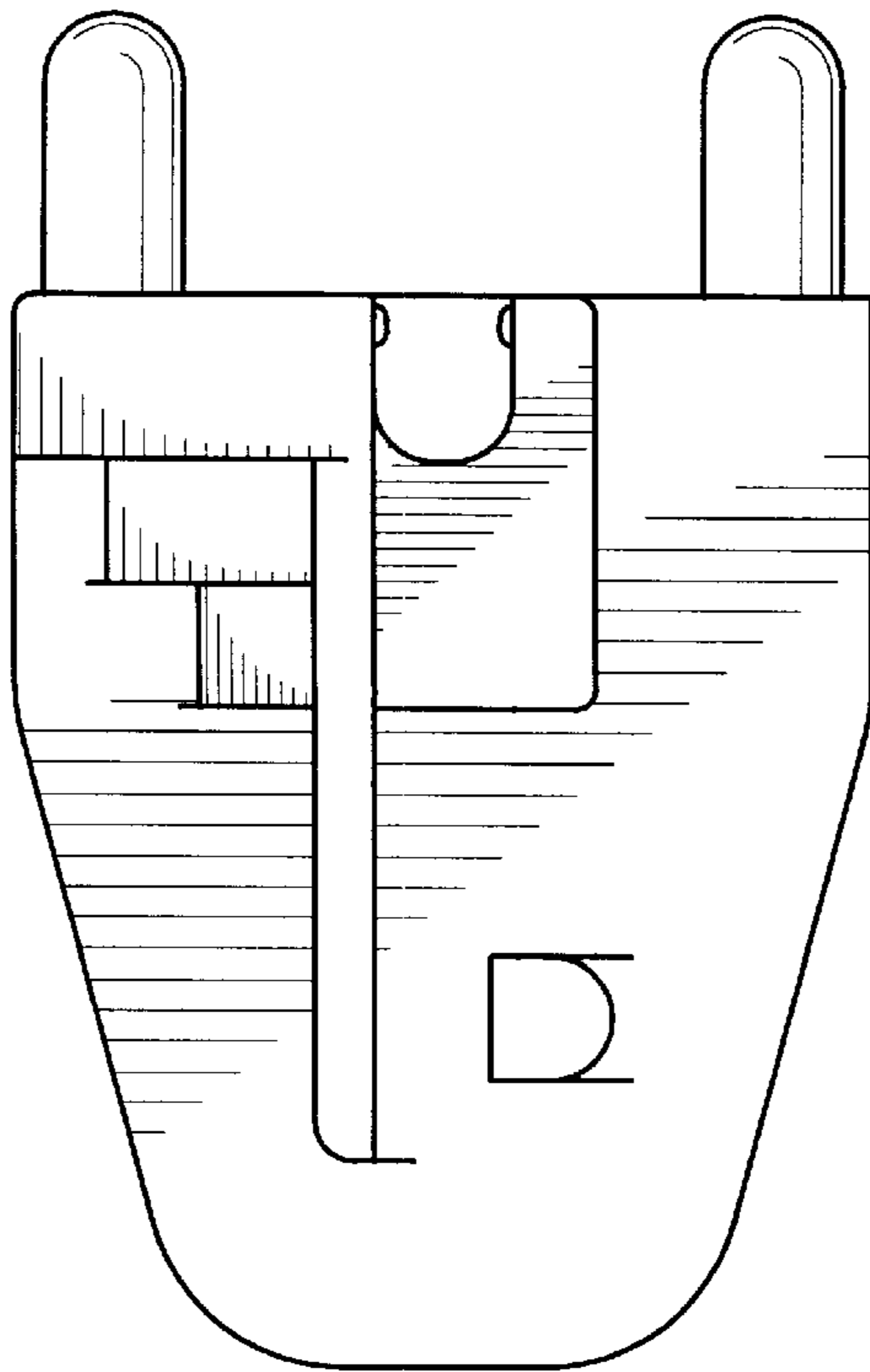


FIG. 5

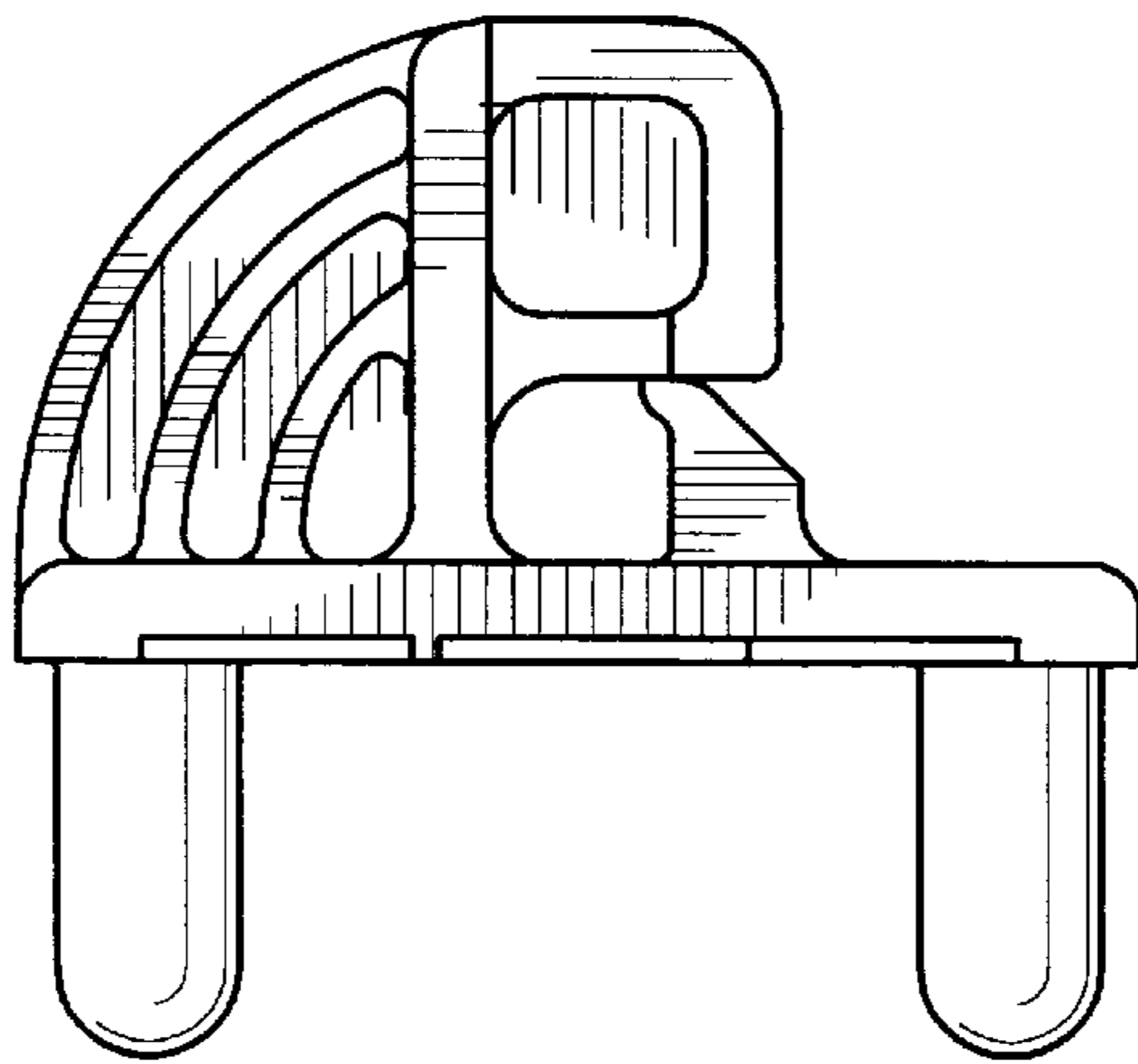


FIG. 6

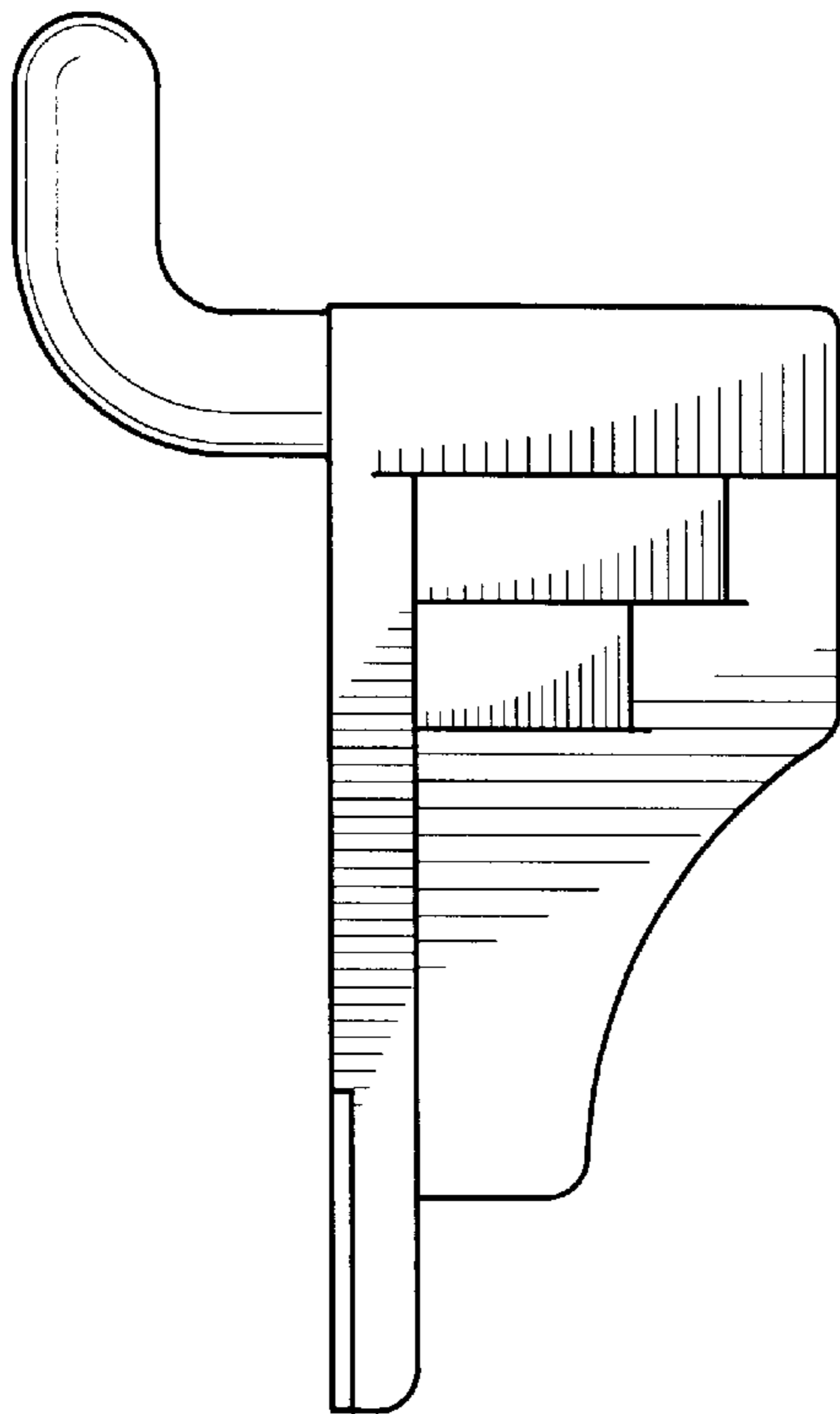


FIG. 7

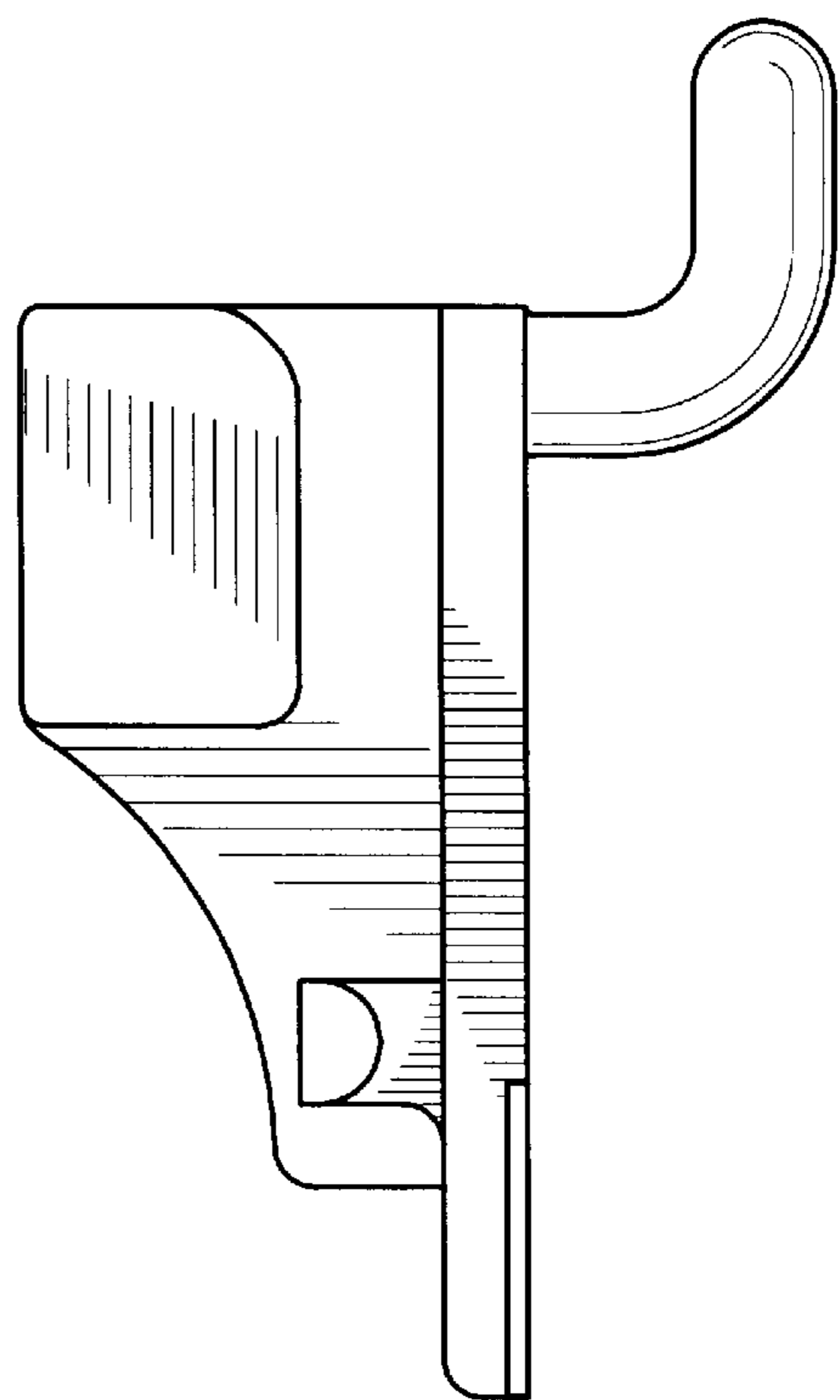


FIG. 8

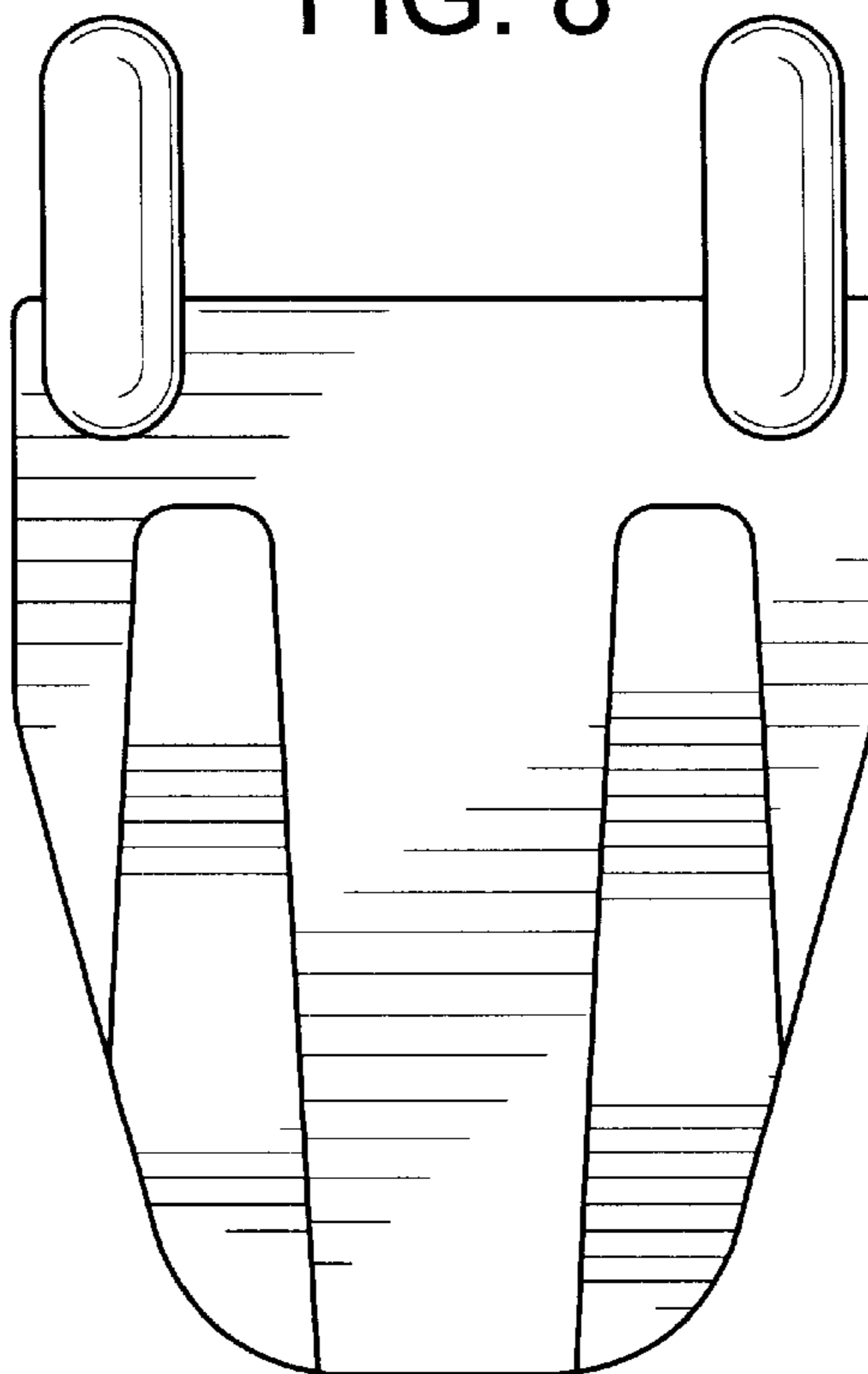


FIG. 9

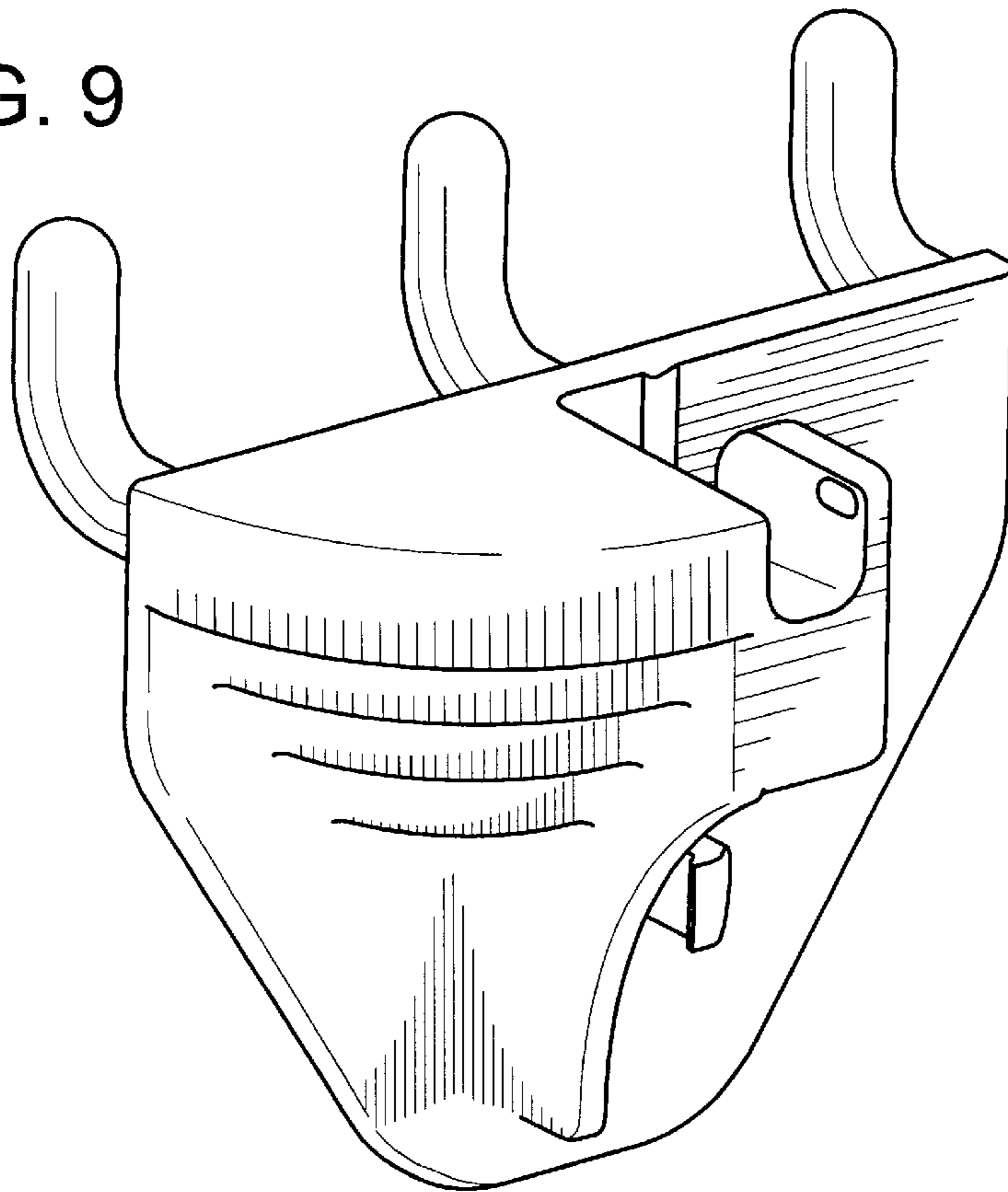


FIG. 10

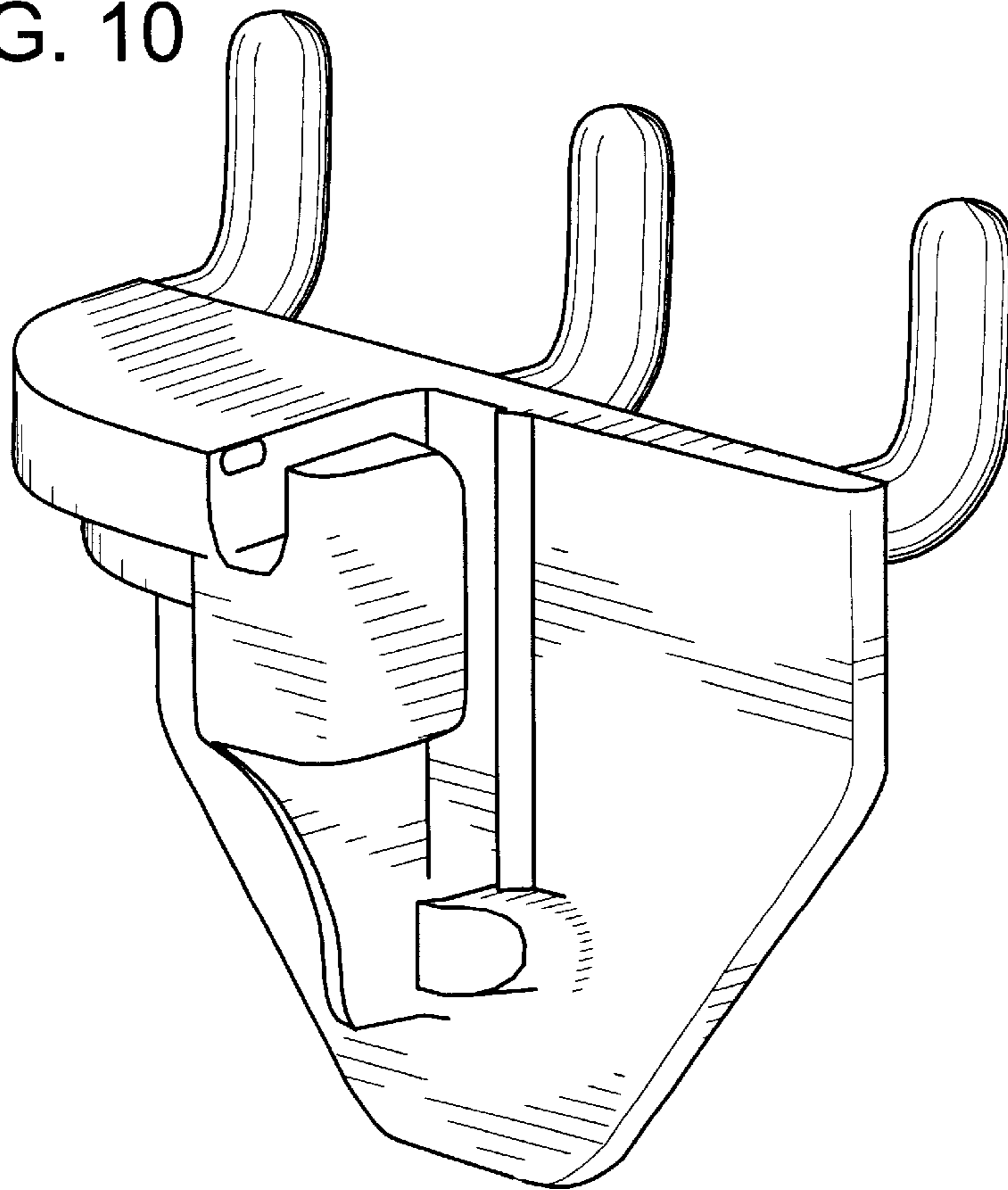


FIG. 11

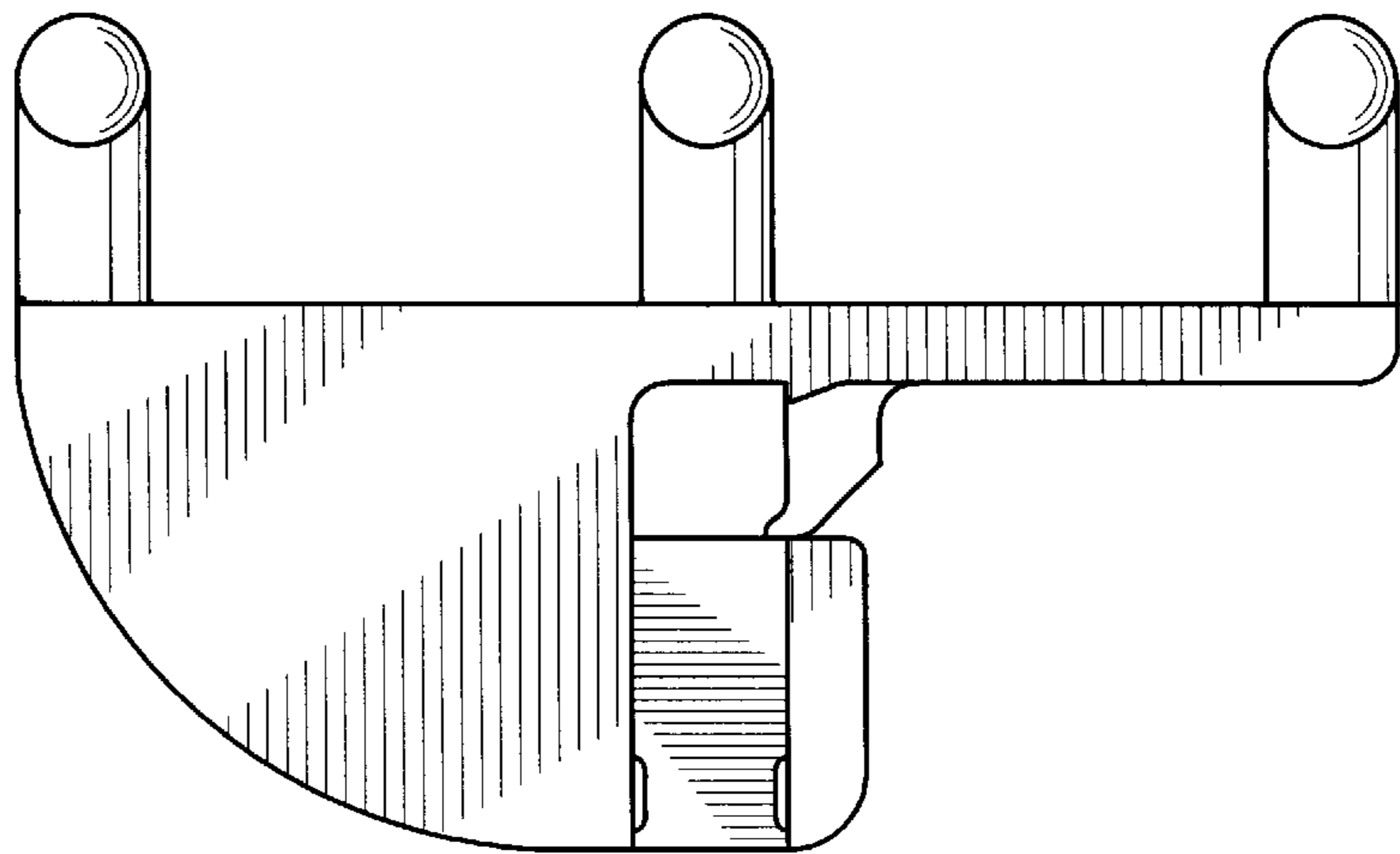


FIG. 12

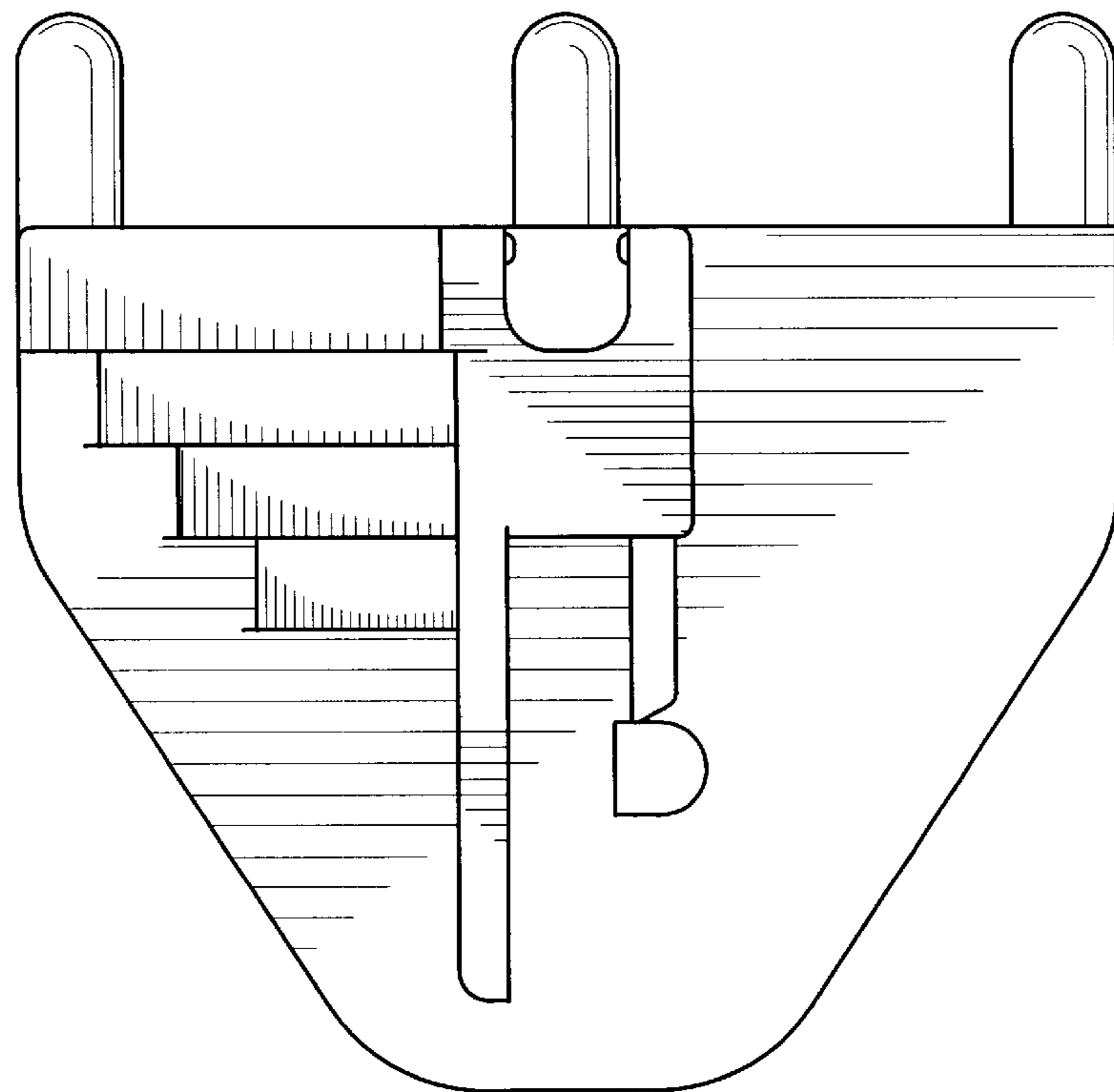


FIG. 13

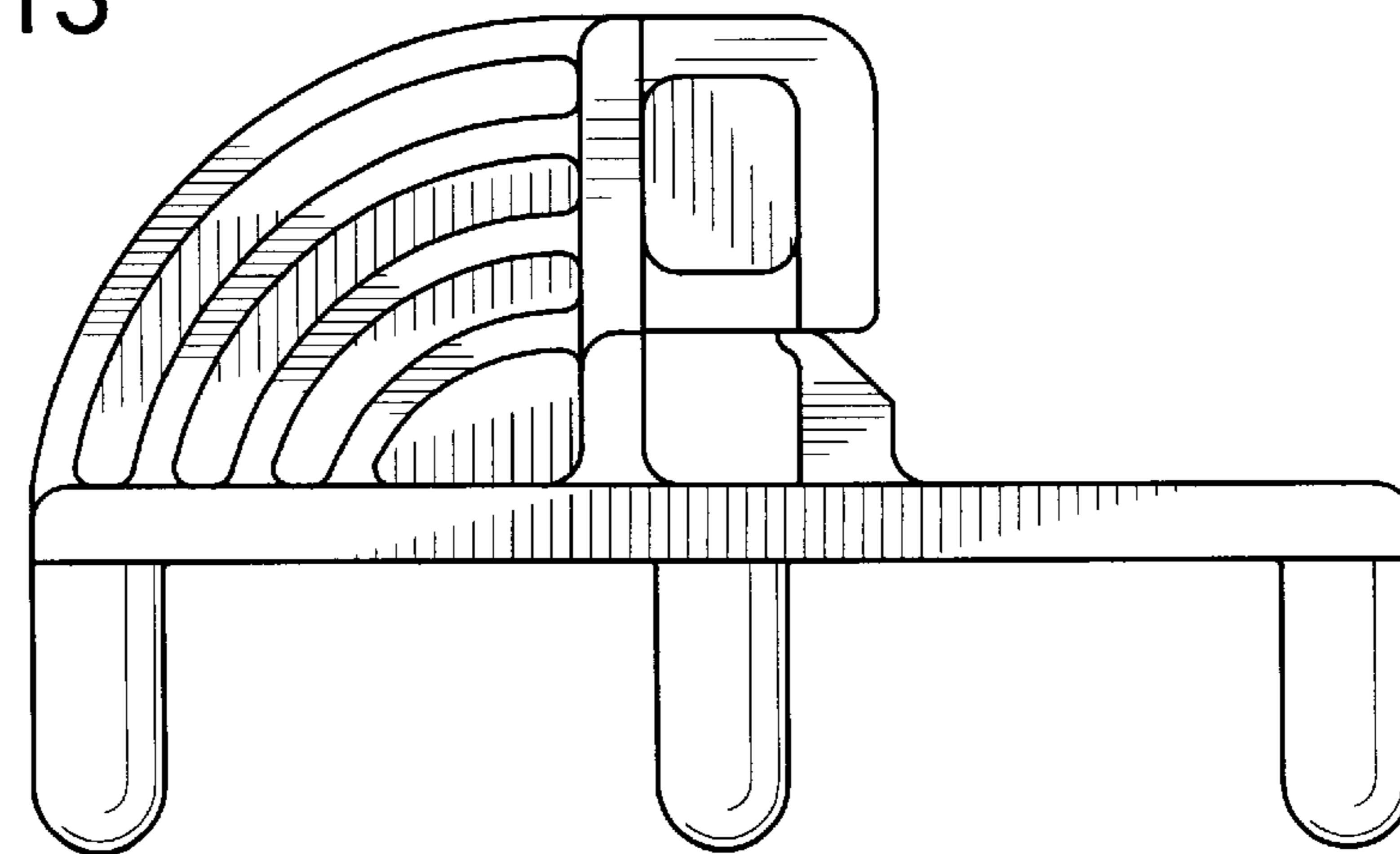


FIG. 14

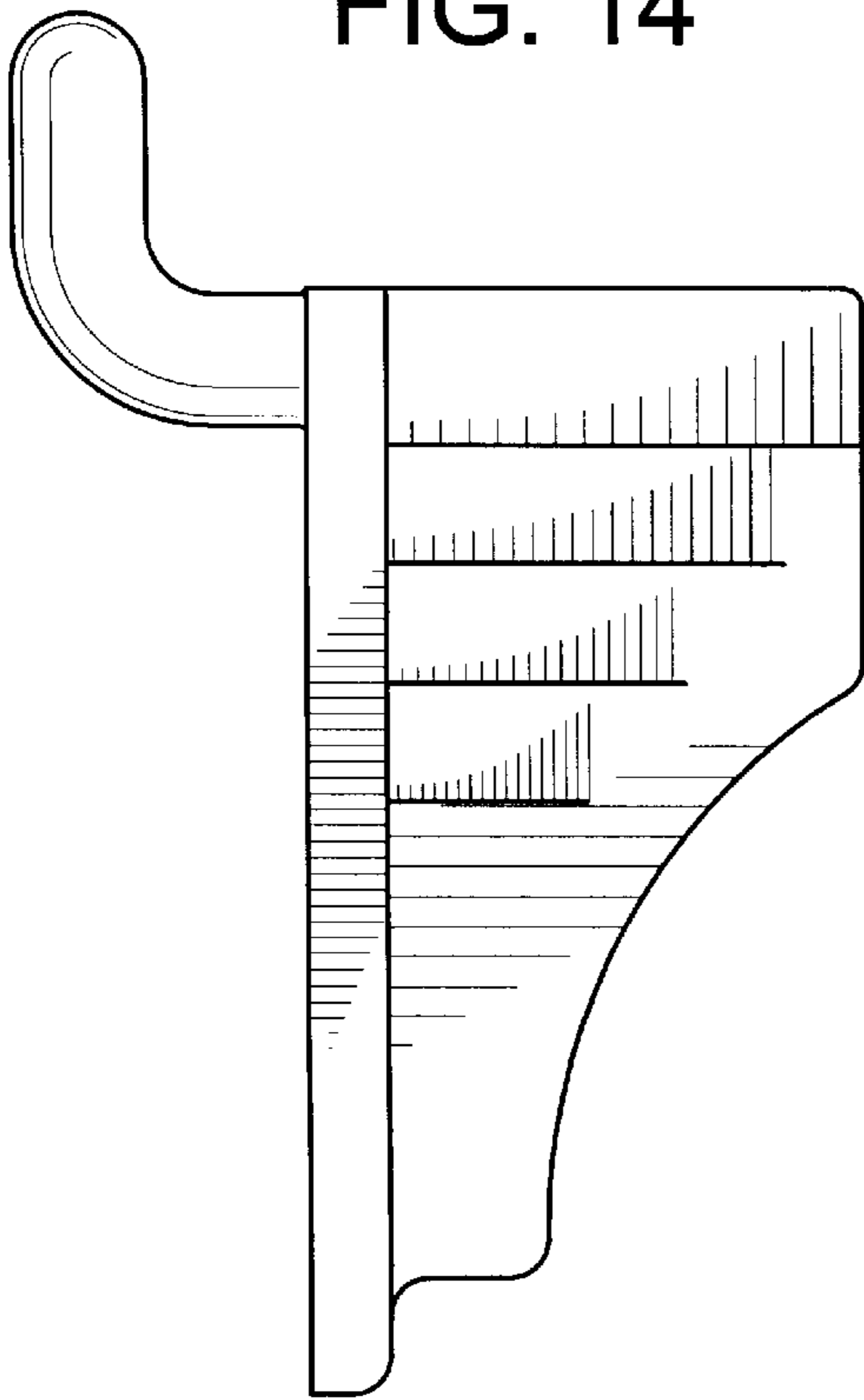


FIG. 15

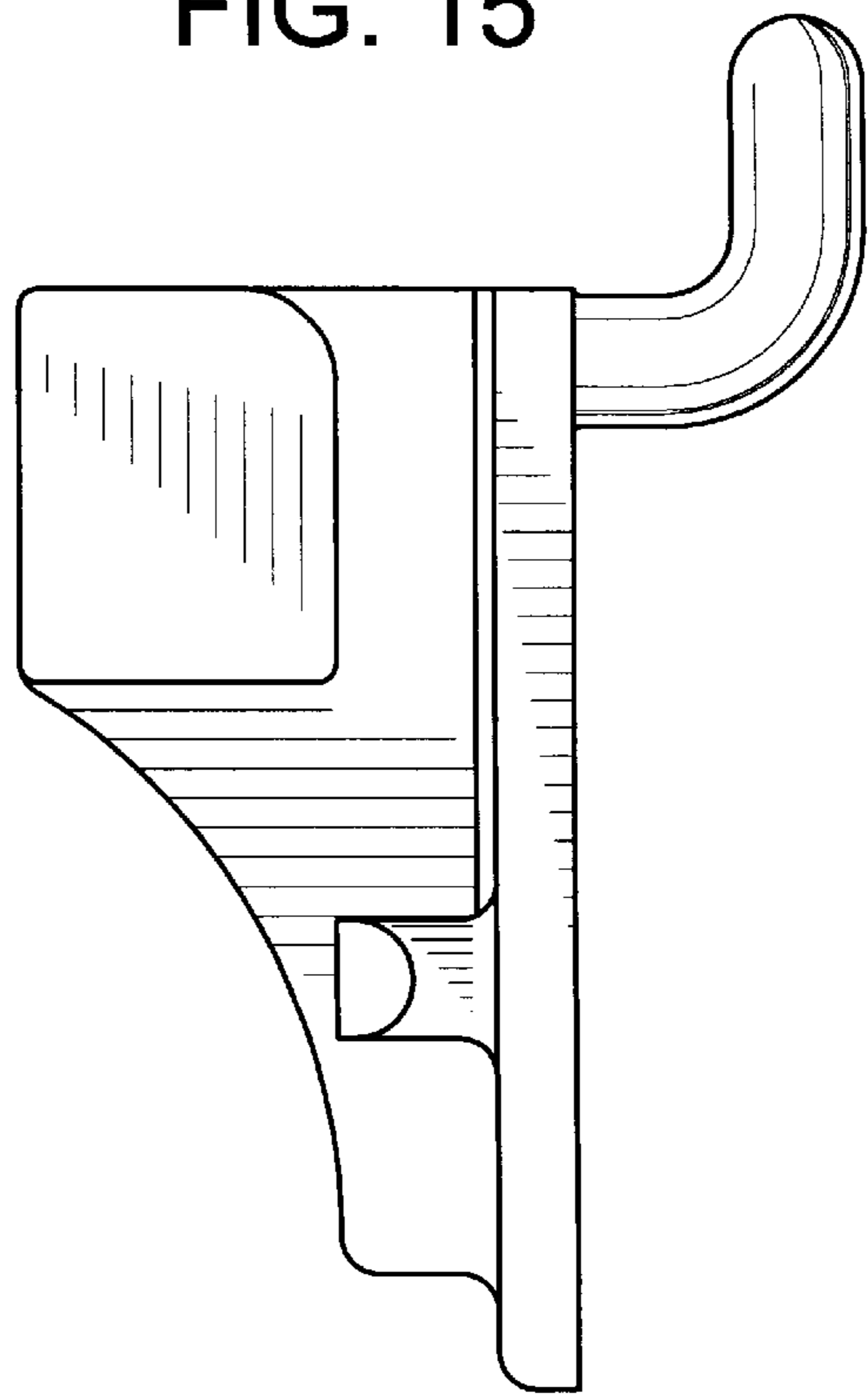


FIG. 16

