



US00D470394S

(12) **United States Design Patent**
Harwanko

(10) **Patent No.:** **US D470,394 S**

(45) **Date of Patent:** **** Feb. 18, 2003**

(54) **DOOR RACK**

(75) Inventor: **Jeffrey Harwanko**, Wilmington, DE
(US)

(73) Assignee: **Zenith Products Corp.**, New Castle,
DE (US)

(**) Term: **14 Years**

(21) Appl. No.: **29/162,991**

(22) Filed: **Jun. 25, 2002**

(51) **LOC (7) Cl.** **08-05**

(52) **U.S. Cl.** **D8/372; D6/513; D6/566**

(58) **Field of Search** D8/372, 373, 371,
D8/370; 248/302, 303, 309, 339; D6/513,
566, 320; 211/87.01, 181.1, 106

(56) **References Cited**

U.S. PATENT DOCUMENTS

D355,841 S * 2/1995 Goodman et al. D6/320
D363,208 S * 10/1995 Seidel D6/566

D406,979 S * 3/1999 Goodman D6/566
D433,316 S * 11/2000 Snell D8/372
D436,839 S * 1/2001 Goodman et al. D8/372

* cited by examiner

Primary Examiner—Pamela Burgess

(74) *Attorney, Agent, or Firm*—Edgar A. Zarins; Lloyd D.
Doigan

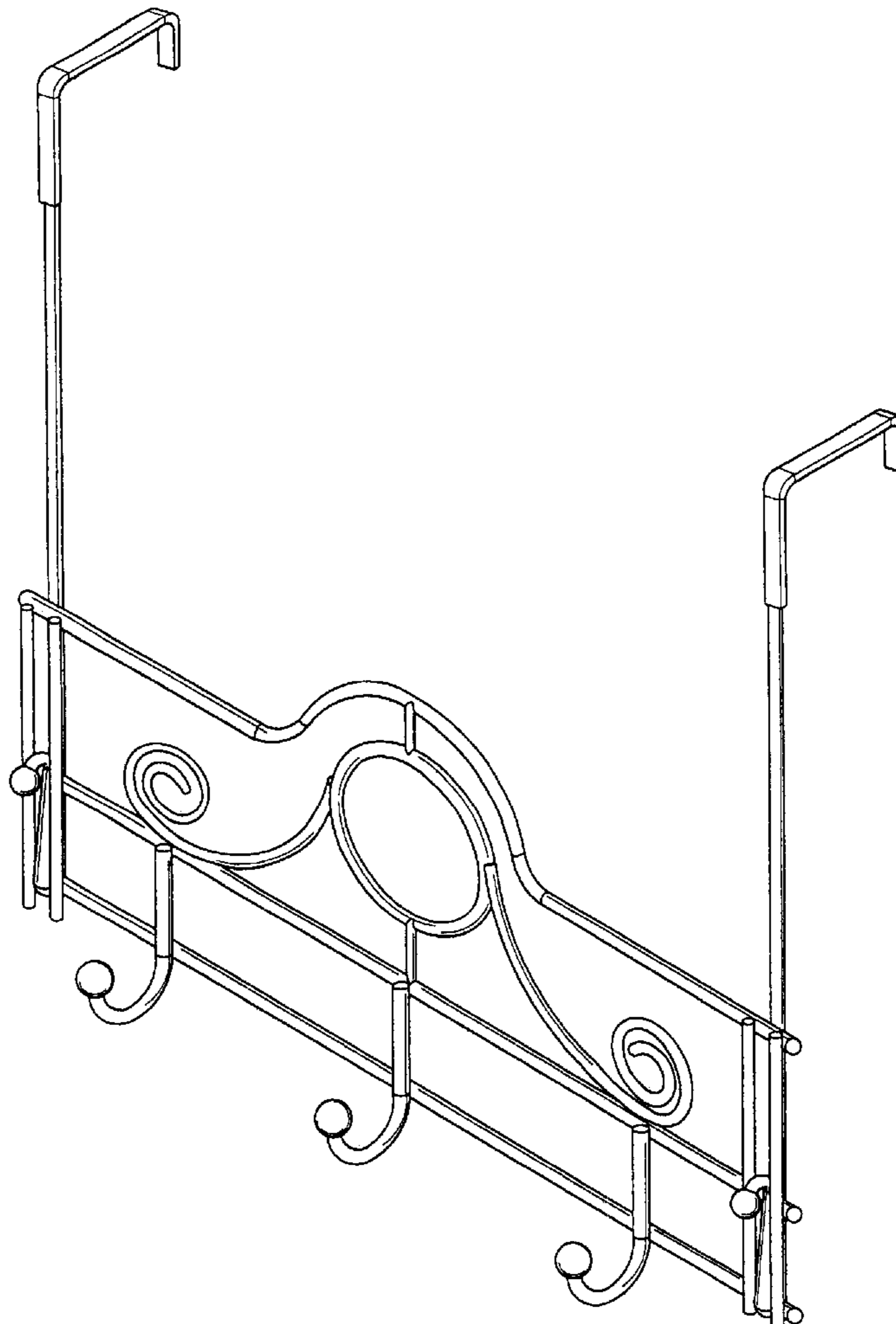
(57) **CLAIM**

The ornamental design for a door rack, as shown and
described.

DESCRIPTION

FIG. 1 is a perspective view of a door rack showing my new
design;
FIG. 2 is a front elevational view thereof;
FIG. 3 is a top plan view thereof;
FIG. 4 is a bottom plan view thereof; and,
FIG. 5 is an end view thereof, the opposite end being a
mirror image of the end shown.

1 Claim, 3 Drawing Sheets



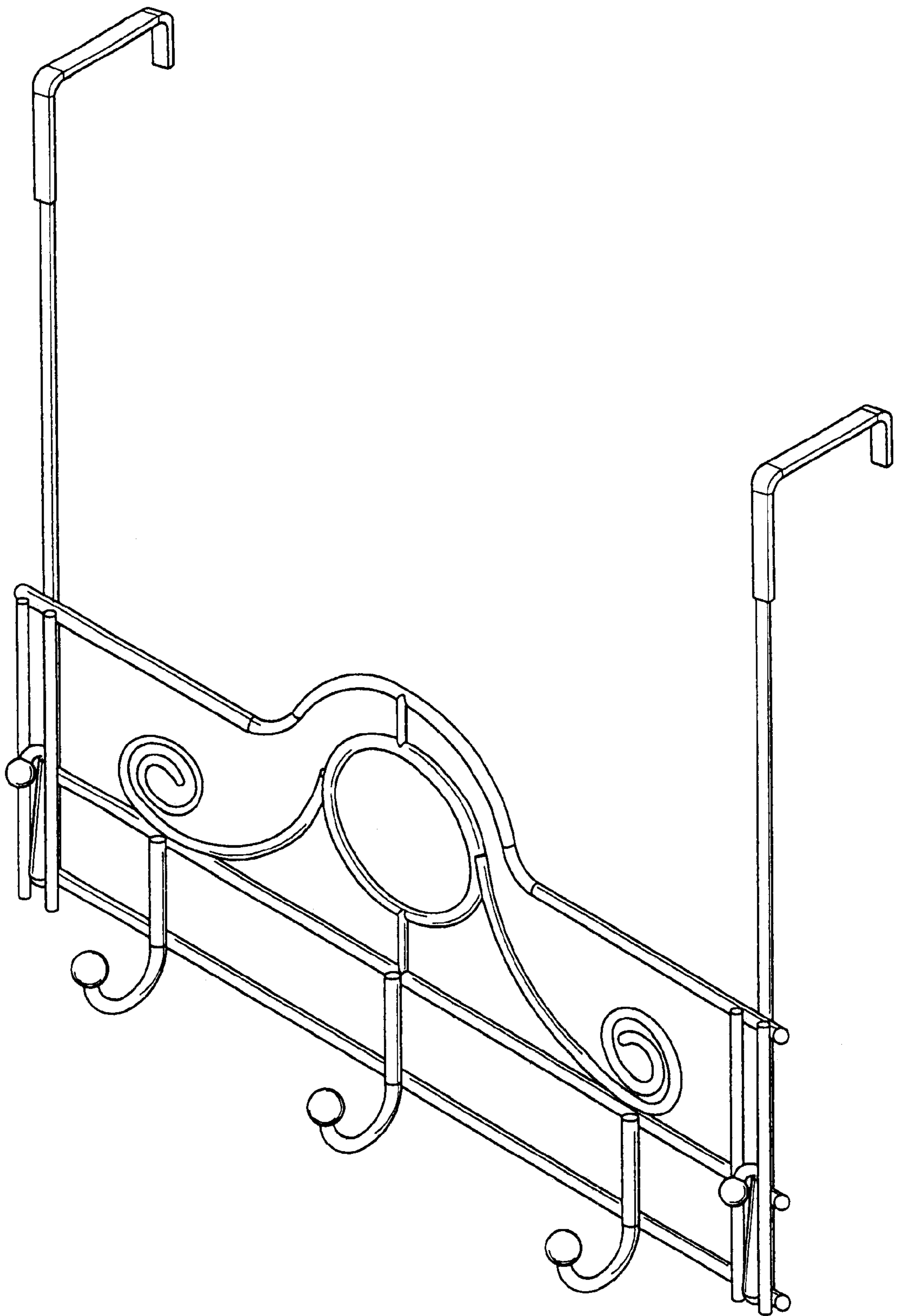


Fig-1

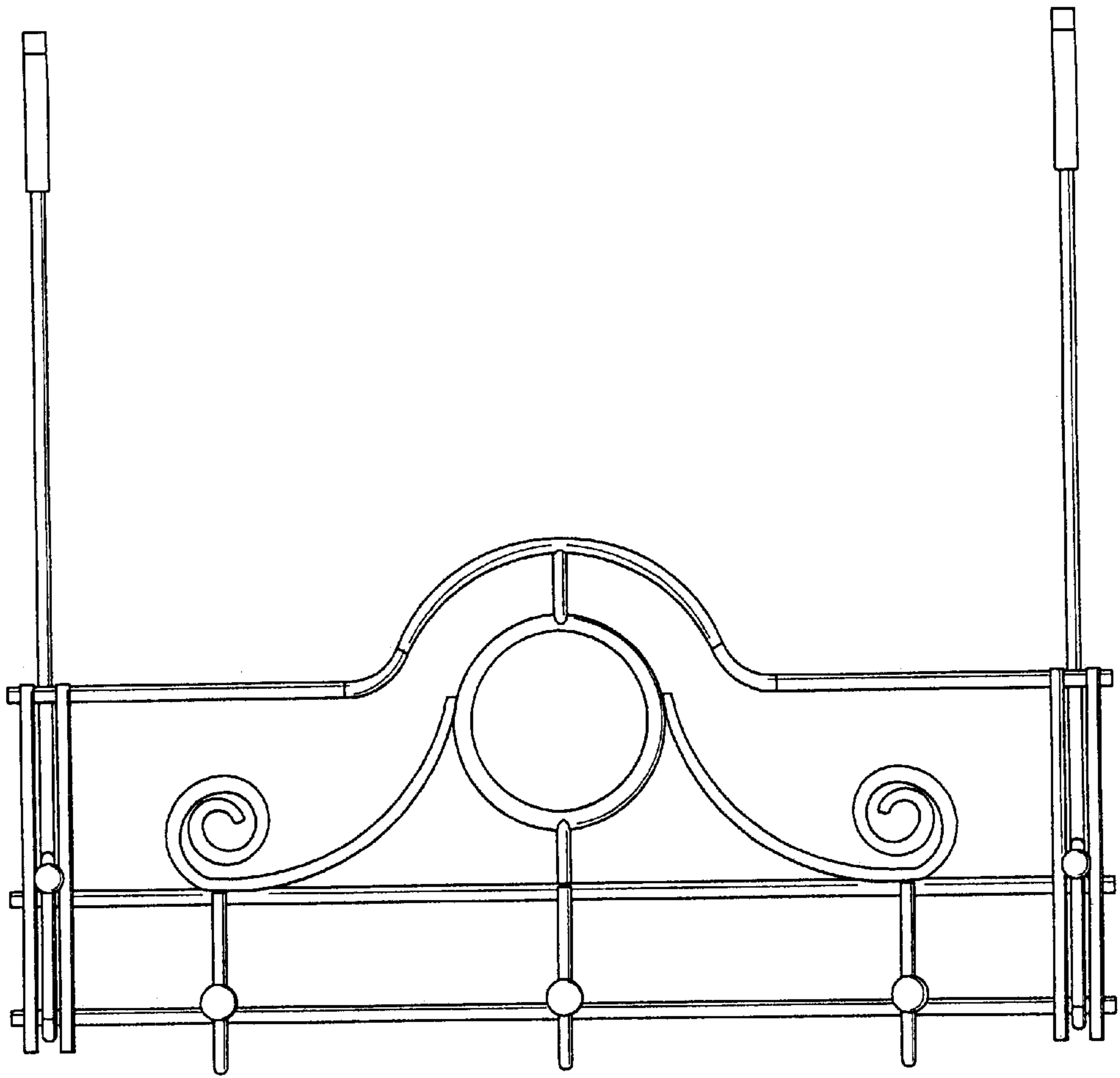


Fig-2

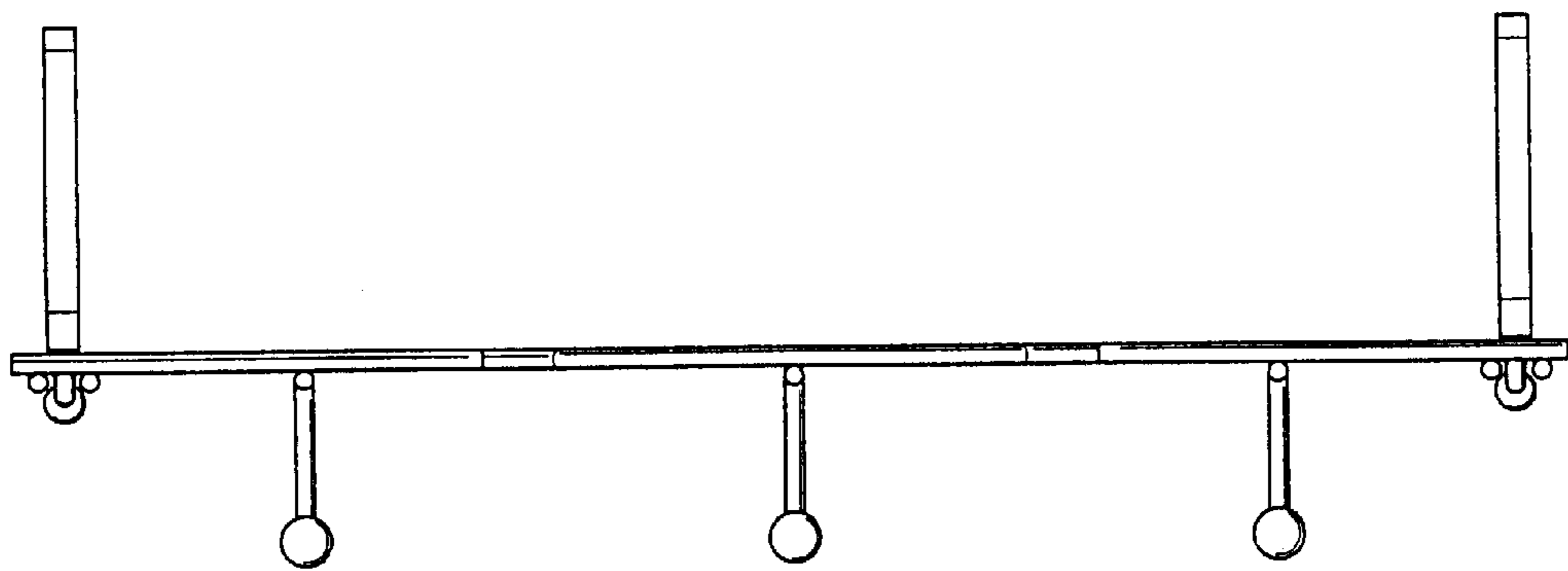


Fig-3

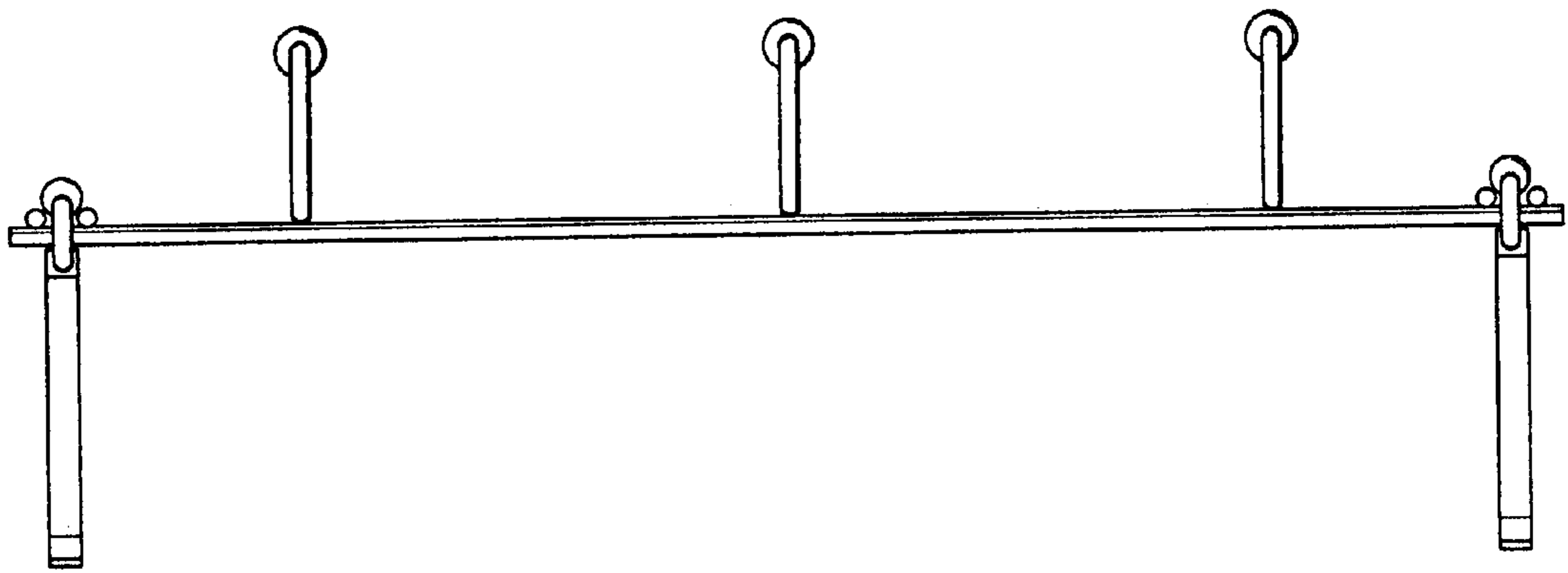


Fig-4

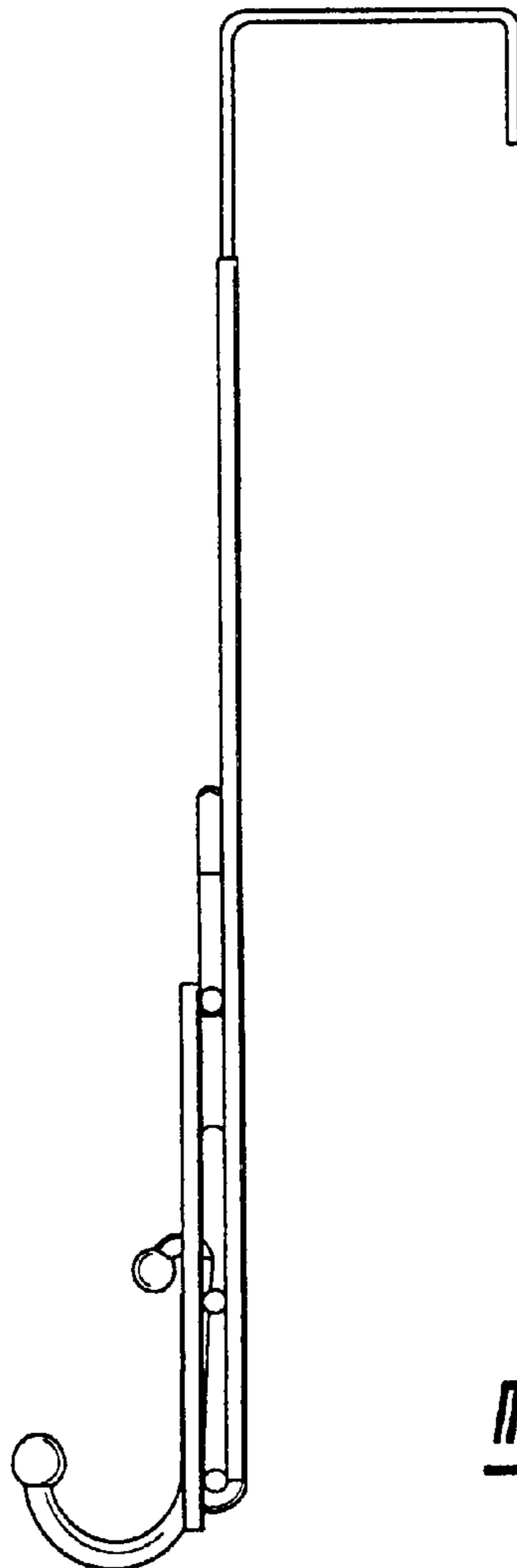


Fig-5