



US00D470393S

(12) **United States Design Patent**
Kelleghan

(10) **Patent No.:** **US D470,393 S**

(45) **Date of Patent:** **** Feb. 18, 2003**

(54) **DIAMOND SHAPED CARABINER**

(75) Inventor: **Brian James Kelleghan**, Longmont,
CO (US)

(73) Assignee: **Bison Designs, L.L.C.**, Longmont, CO
(US)

(**) Term: **14 Years**

(21) Appl. No.: **29/128,297**

(22) Filed: **Aug. 22, 2000**

(51) **LOC (7) Cl.** **08-05**

(52) **U.S. Cl.** **D8/356**

(58) **Field of Search** D8/333, 349, 354,
D8/355, 356, 367, 370, 382; 24/115 H,
115 K, 115 M, 115 R, 136 K, 136 L, 582.13,
583.11, 587.1, 588.11, 592.1, 594.11, 598.2,
599.1, 599.5, 599.6, 599.7, 599.8, 600.1,
600.3

(56) **References Cited**

U.S. PATENT DOCUMENTS

D345,688 S * 4/1994 McLean et al. D8/356

5,463,798 A * 11/1995 Wurzer 24/592.1

5,878,834 A * 3/1999 Brainerd et al. 24/594.11

D448,276 S * 9/2001 Kelleghan D8/356

* cited by examiner

Primary Examiner—Robert M. Spear

Assistant Examiner—Elizabeth A. Albert

(74) *Attorney, Agent, or Firm*—Rick Martin; Patent Law
Offices of Rick Martin, P.C.

(57) **CLAIM**

The ornamental design for a diamond shaped carabiner, as
shown and described.

DESCRIPTION

FIG. 1 is a top perspective view of my new design for a
diamond shaped carabiner.

FIG. 2 is a left side elevational view of FIG. 1 with the lever
open.

FIG. 3 is a right side elevational view of FIG. 1.

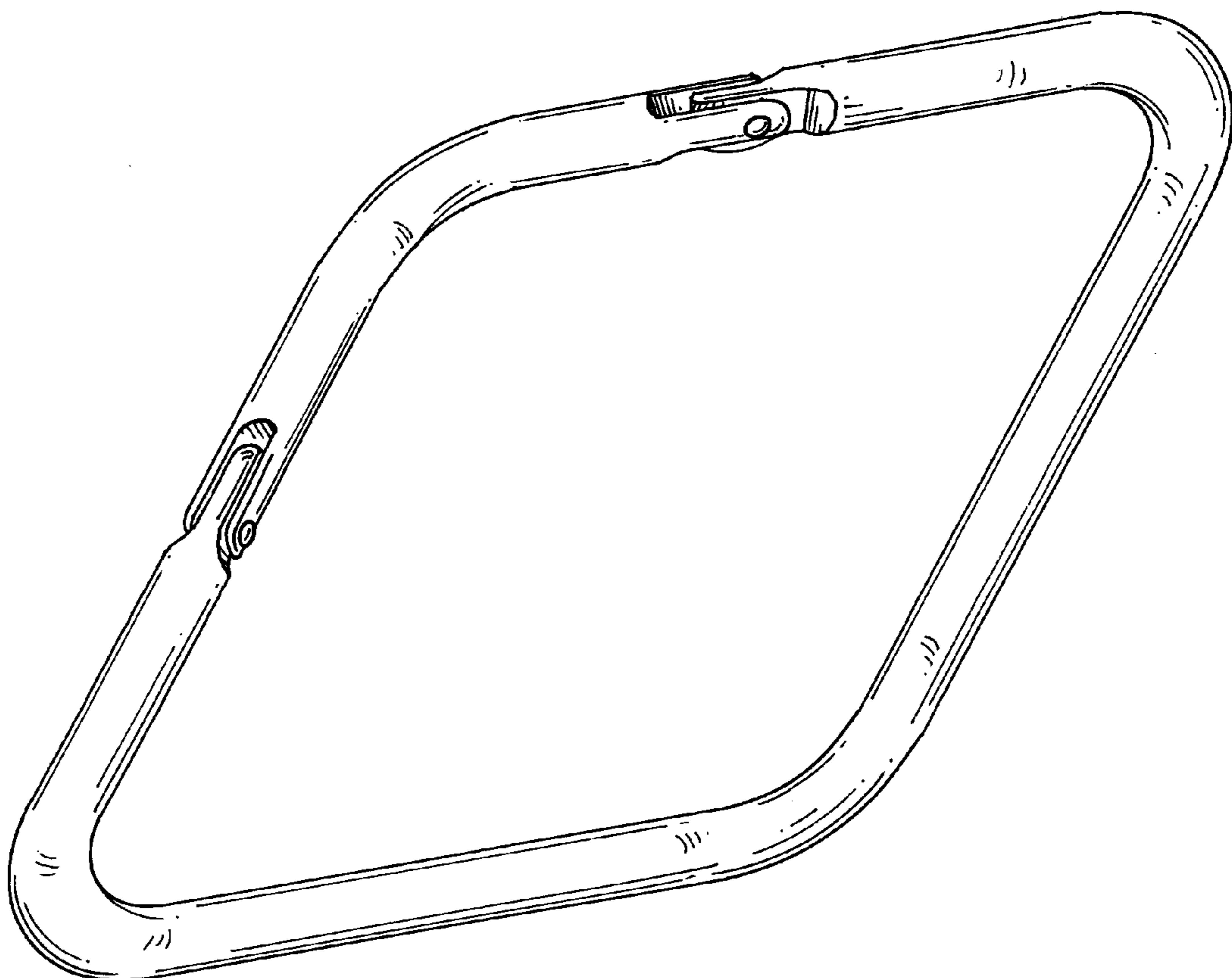
FIG. 4 is a front elevational view of FIG. 1.

FIG. 5 is a back elevational view of FIG. 1.

FIG. 6 is a top plan view of FIG. 1; and,

FIG. 7 is a bottom plan view of FIG. 1.

1 Claim, 2 Drawing Sheets



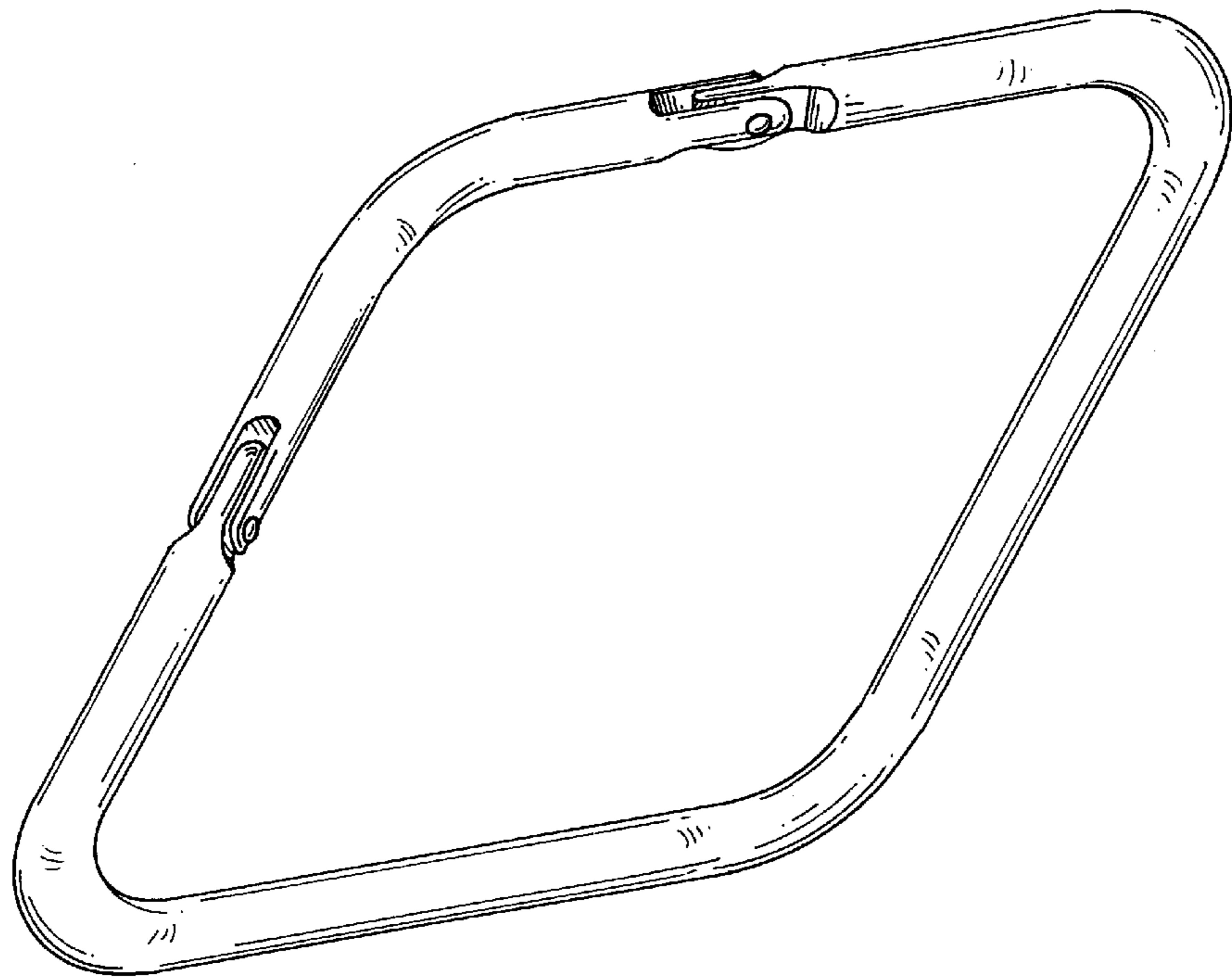


FIG. 1

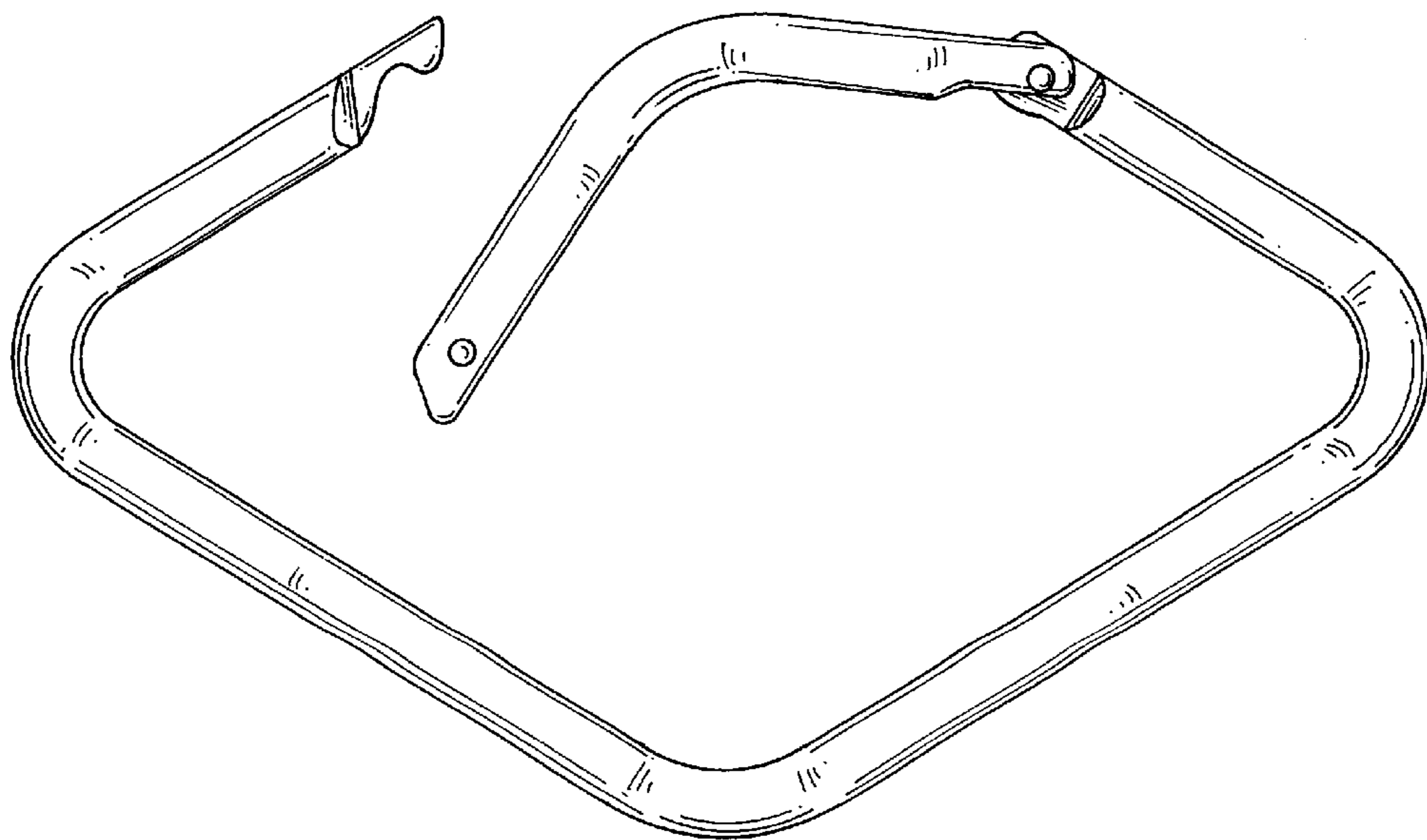


FIG. 2

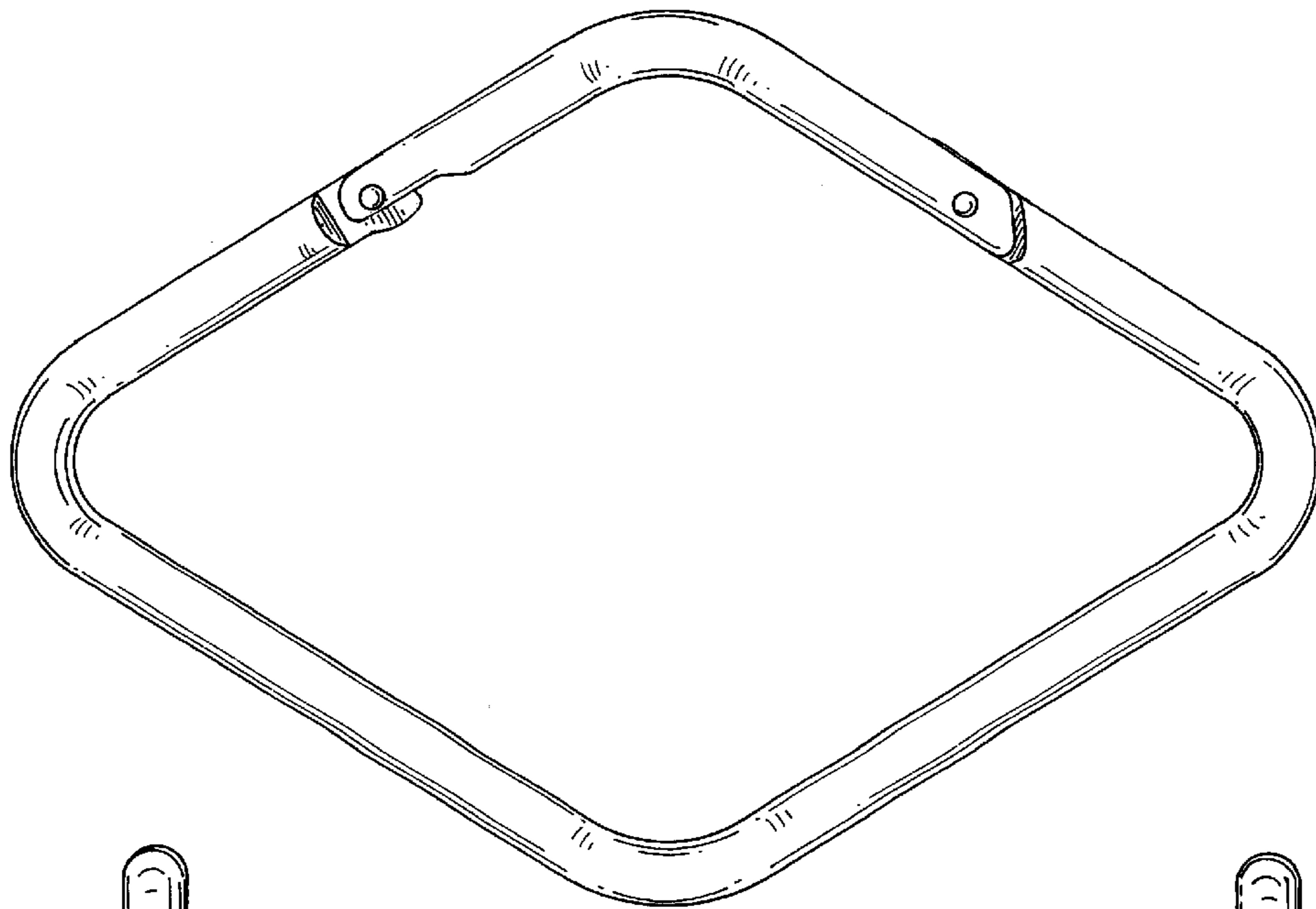


FIG. 3

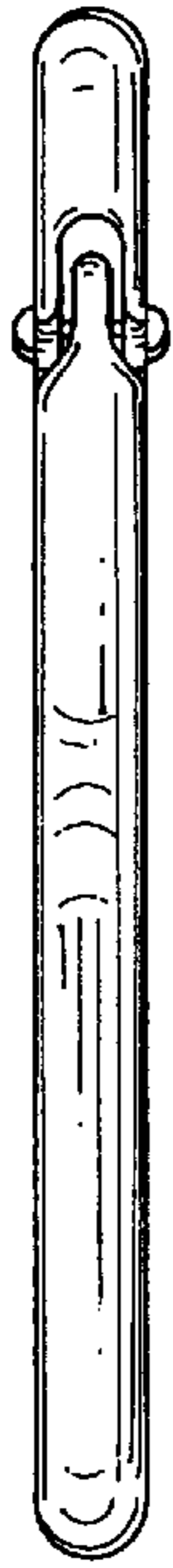


FIG. 4

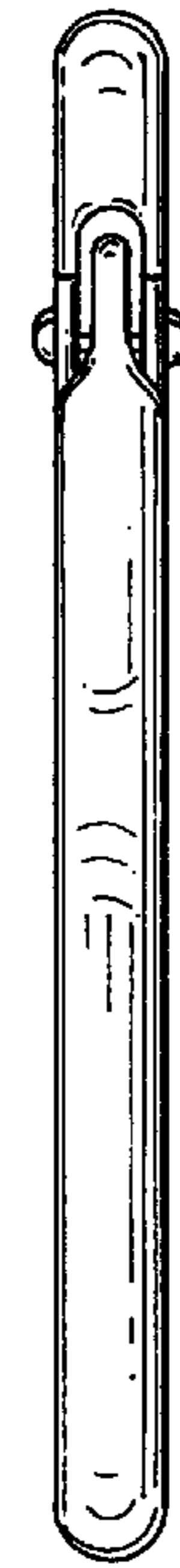


FIG. 5

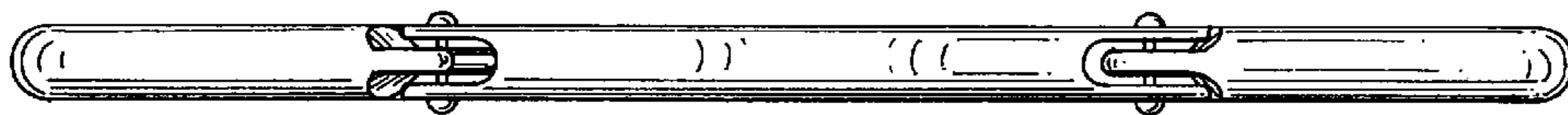


FIG. 6

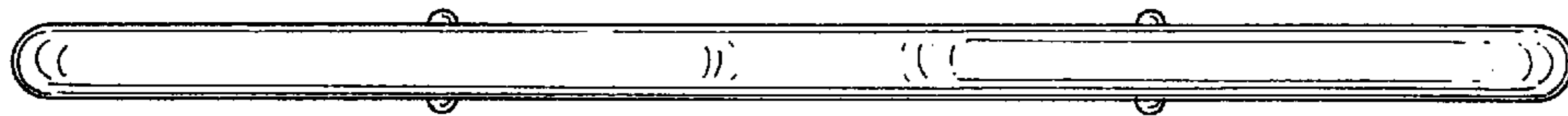


FIG. 7