



US00D470392S

(12) **United States Design Patent**
Swenson, Jr.

(10) **Patent No.:** **US D470,392 S**

(45) **Date of Patent:** **** Feb. 18, 2003**

(54) **BREAK-AWAY APPENDAGES FOR MOUNTING BRACKET**

(75) **Inventor:** **Roger M. Swenson, Jr.**, Williamsville, MO (US)

(73) **Assignee:** **Trans-A-Matic**, Poplar Bluff, MO (US)

(**) **Term:** **14 Years**

(21) **Appl. No.:** **29/143,788**

(22) **Filed:** **Jun. 21, 2001**

(51) **LOC (7) Cl.** **08-05**

(52) **U.S. Cl.** **D8/354**

(58) **Field of Search** D6/512; D8/349, D8/354, 355, 356, 363, 364, 373, 380, 382, 394, 395, 396; D13/166; 24/328, 346; 74/606 R; 248/200, 201, 205.1, 207, 231.81, 312, 909; 411/353, 516, 517

(56) **References Cited**

U.S. PATENT DOCUMENTS

- 909,405 A * 1/1909 Handel 248/317
- 1,463,409 A * 7/1923 Theiss 411/516
- 1,897,248 A * 2/1933 Ferguson 248/312

- 4,182,579 A * 1/1980 McCormick et al. 411/517
- 5,025,682 A * 6/1991 McCabe et al. 74/606 R
- 5,029,796 A * 7/1991 Schoenig 248/443
- 5,699,890 A 12/1997 Swenson, Sr. 192/110 R
- D408,273 S * 4/1999 Senninger D8/356
- 6,085,615 A 7/2000 Kirkendall 74/606 R

* cited by examiner

Primary Examiner—Doris V. Coles

Assistant Examiner—Elizabeth A. Albert

(74) *Attorney, Agent, or Firm*—Jim Zegeer

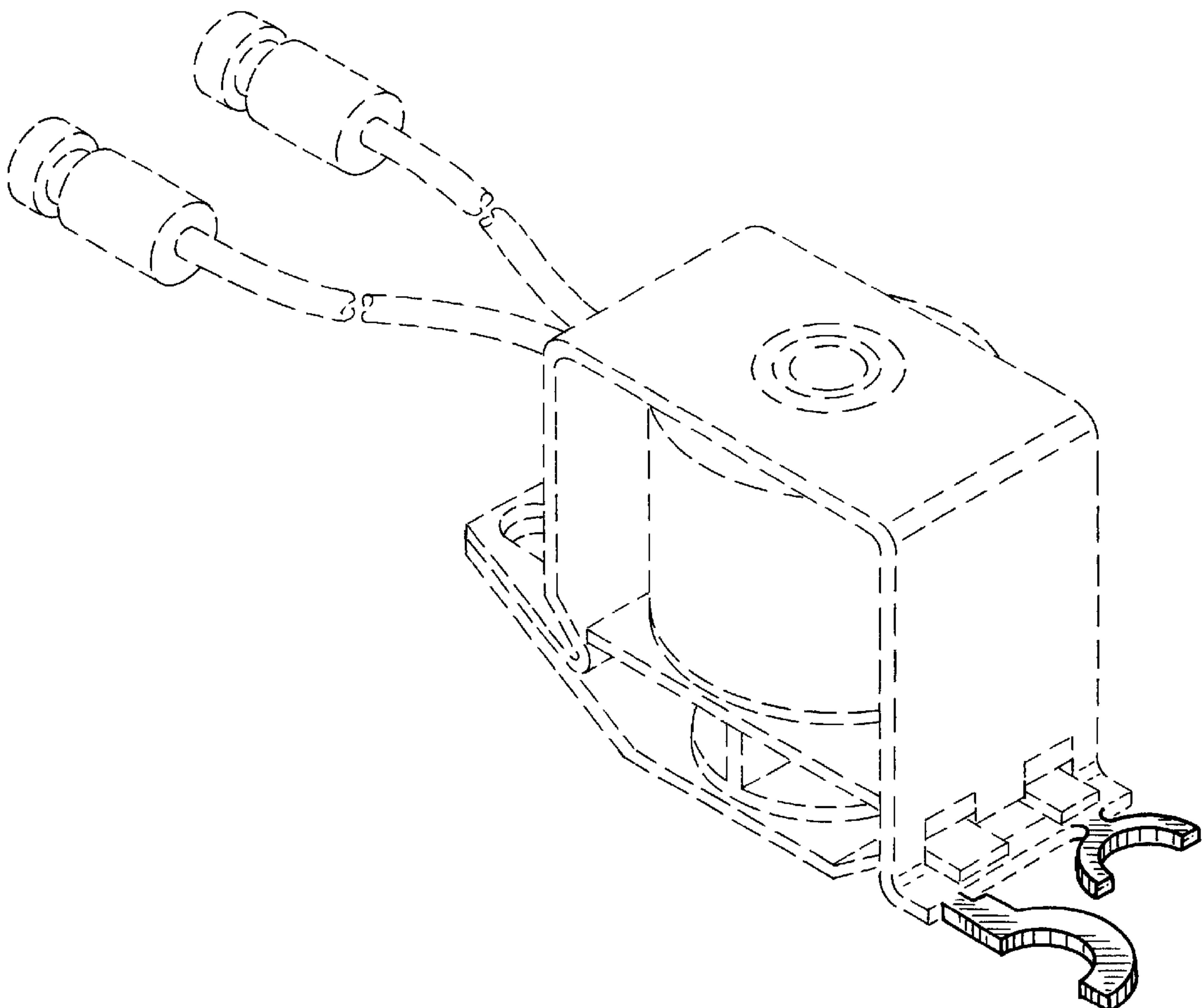
(57) **CLAIM**

The ornamental design for break-away appendages for mounting bracket, as shown and described.

DESCRIPTION

FIG. 1 is a top side end perspective view of break-away appendages for mounting bracket showing my new design, FIG. 2 is a side elevational view thereof, FIG. 3 is a reverse side view thereof, FIG. 4 is an end view thereof; and, FIG. 5 is a bottom plan view thereof. The broken lines shown are for illustrative purposes only and form no part of the claimed design.

1 Claim, 2 Drawing Sheets



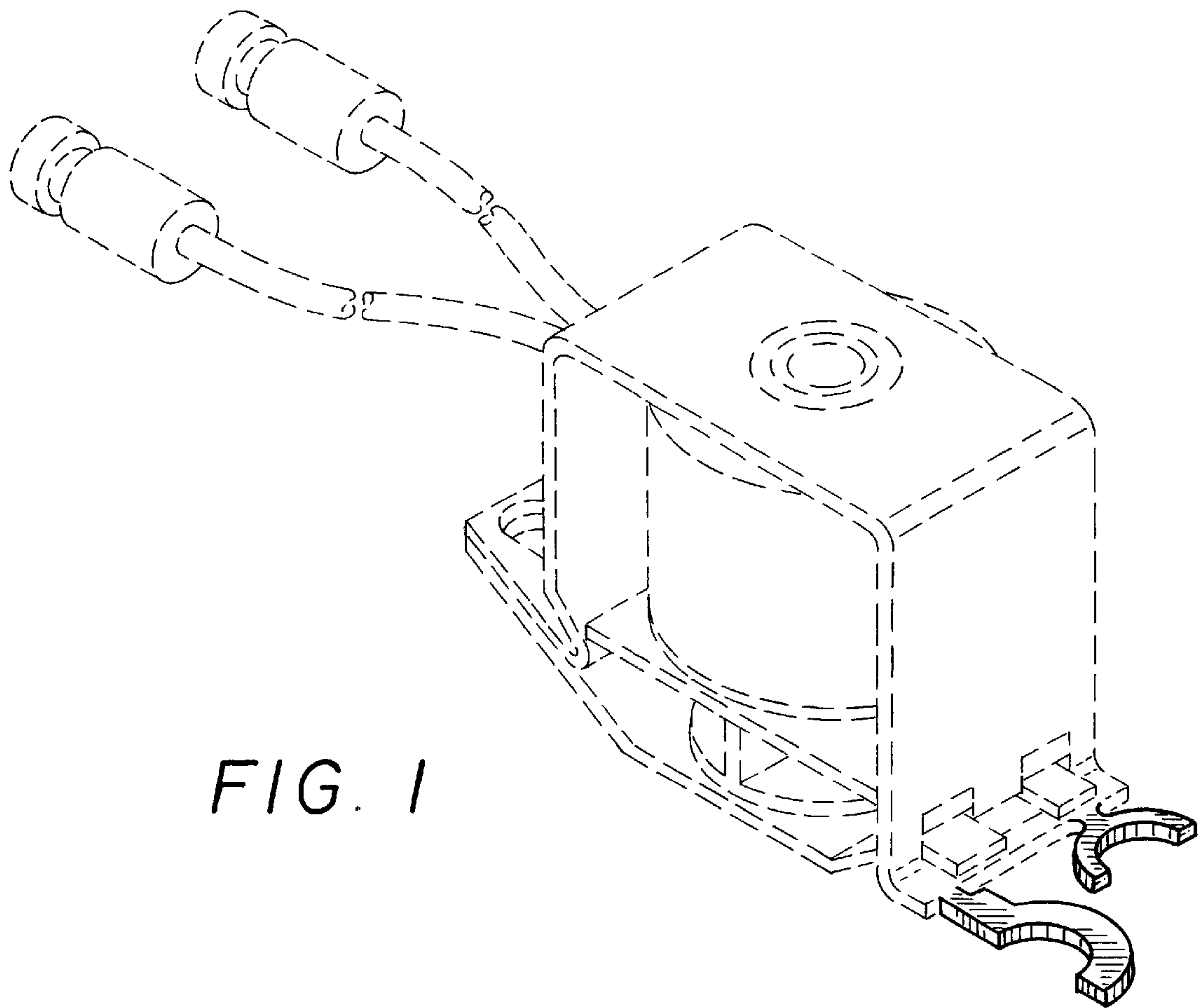


FIG. 1

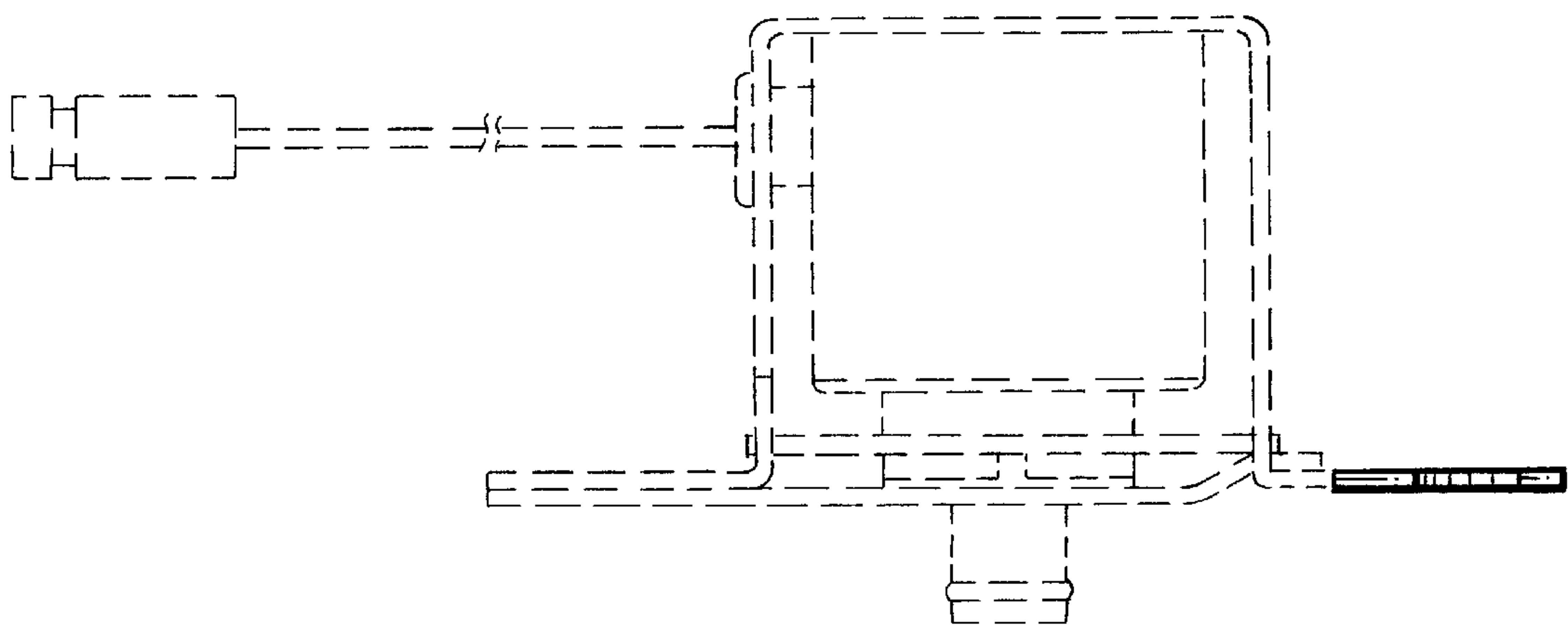


FIG. 2

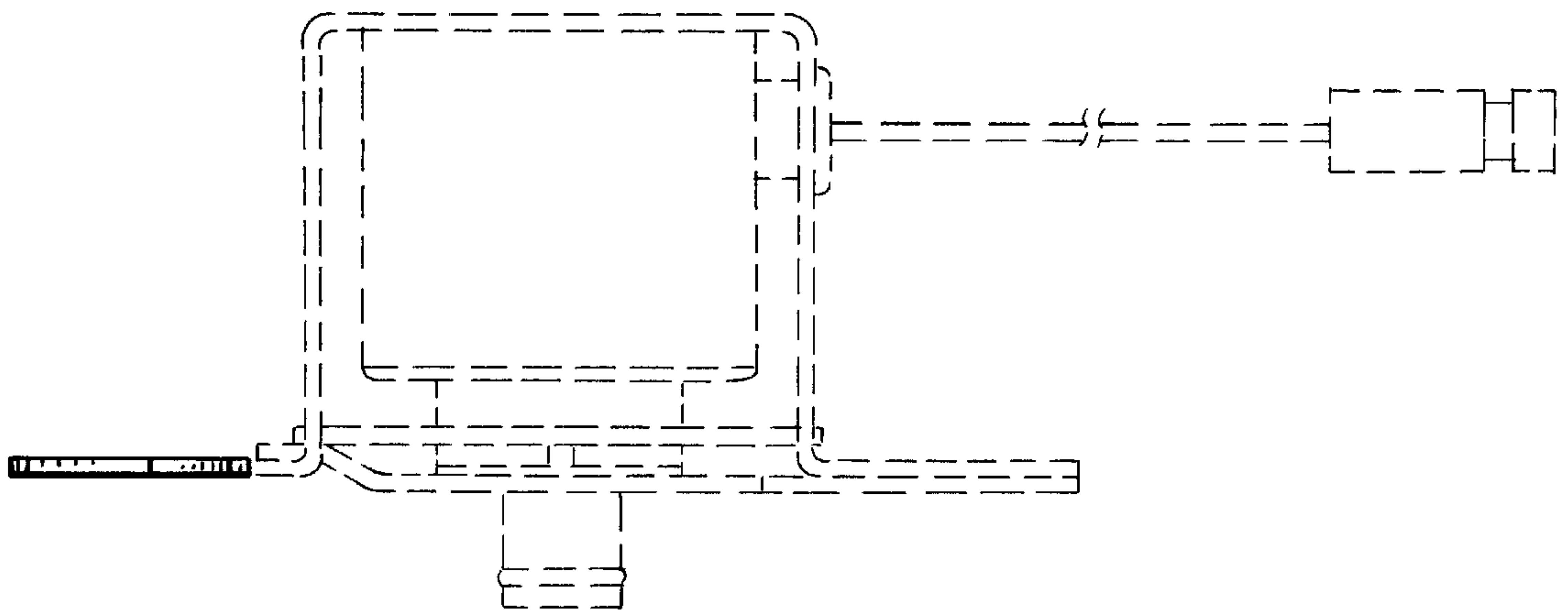


FIG. 3

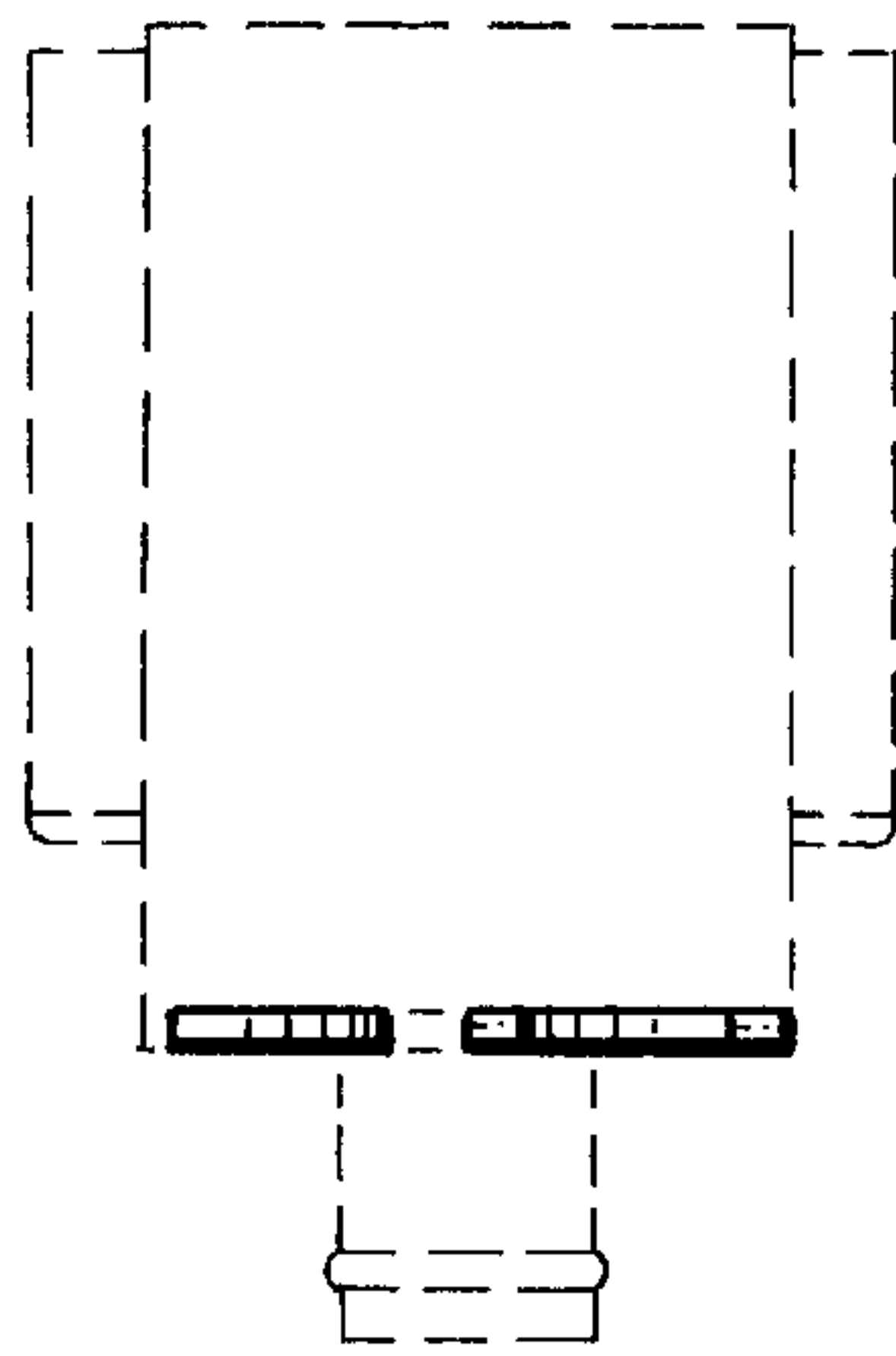


FIG. 4

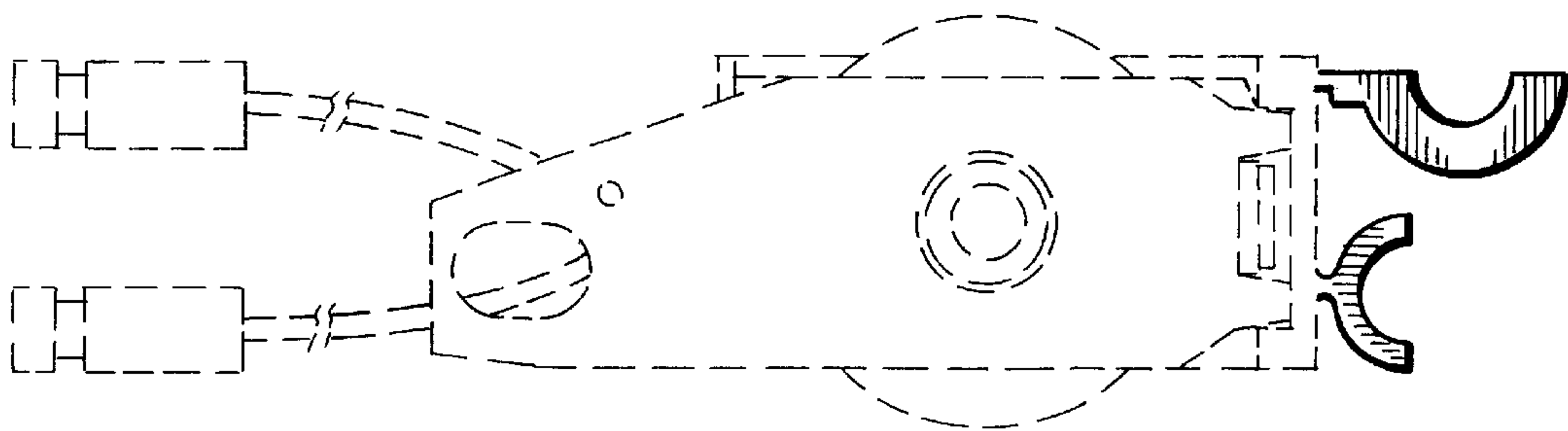


FIG. 5