



US00D470391S

(12) **United States Design Patent**
Adams

(10) **Patent No.:** **US D470,391 S**

(45) **Date of Patent:** **** Feb. 18, 2003**

(54) **SWAY CONTROL BRACKET**

(75) **Inventor:** **Katherine A. Adams**, Mishawaka, IN (US)

(73) **Assignee:** **Reese Products, Inc.**, Elkhart, IN (US)

(**) **Term:** **14 Years**

(21) **Appl. No.:** **29/149,577**

(22) **Filed:** **Oct. 12, 2001**

(51) **LOC (7) Cl.** **08-08**

(52) **U.S. Cl.** **D8/349**

(58) **Field of Search** D8/349, 354, 356, D8/366, 377; D12/106, 114, 162, 223; 248/200, 300, 500, 503; 280/406.1, 406.2, 407, 446.1, 455.1, 456.1, 457, 477, 492

(56) **References Cited**

U.S. PATENT DOCUMENTS

3,011,799	A	*	12/1961	Lance	280/406.2
3,785,680	A		1/1974	Good et al.		
3,920,266	A	*	11/1975	Rendessy	280/455.1
4,165,885	A		8/1979	Good et al.		
5,222,754	A	*	6/1993	Few	280/455.1
5,375,867	A		12/1994	Kass et al.		
D376,751	S	*	12/1996	Hanson et al.	D12/223

5,628,525	A	*	5/1997	Kass et al.	280/406.2
D384,924	S	*	10/1997	Hanson et al.	D12/162
5,868,414	A	*	2/1999	McCoy et al.	280/406.2
D429,208	S	*	8/2000	McCoy et al.	D12/223

* cited by examiner

Primary Examiner—Doris V. Coles

Assistant Examiner—Elizabeth A. Albert

(74) *Attorney, Agent, or Firm*—King & Schickli, PLLC

(57) **CLAIM**

The ornamental design for a sway control bracket, as shown and described.

DESCRIPTION

FIG. 1 is a perspective view of the sway control bracket of the present invention;

FIG. 2 is a top plan view thereof;

FIG. 3 is a bottom plan view thereof;

FIG. 4 is a front elevational view thereof;

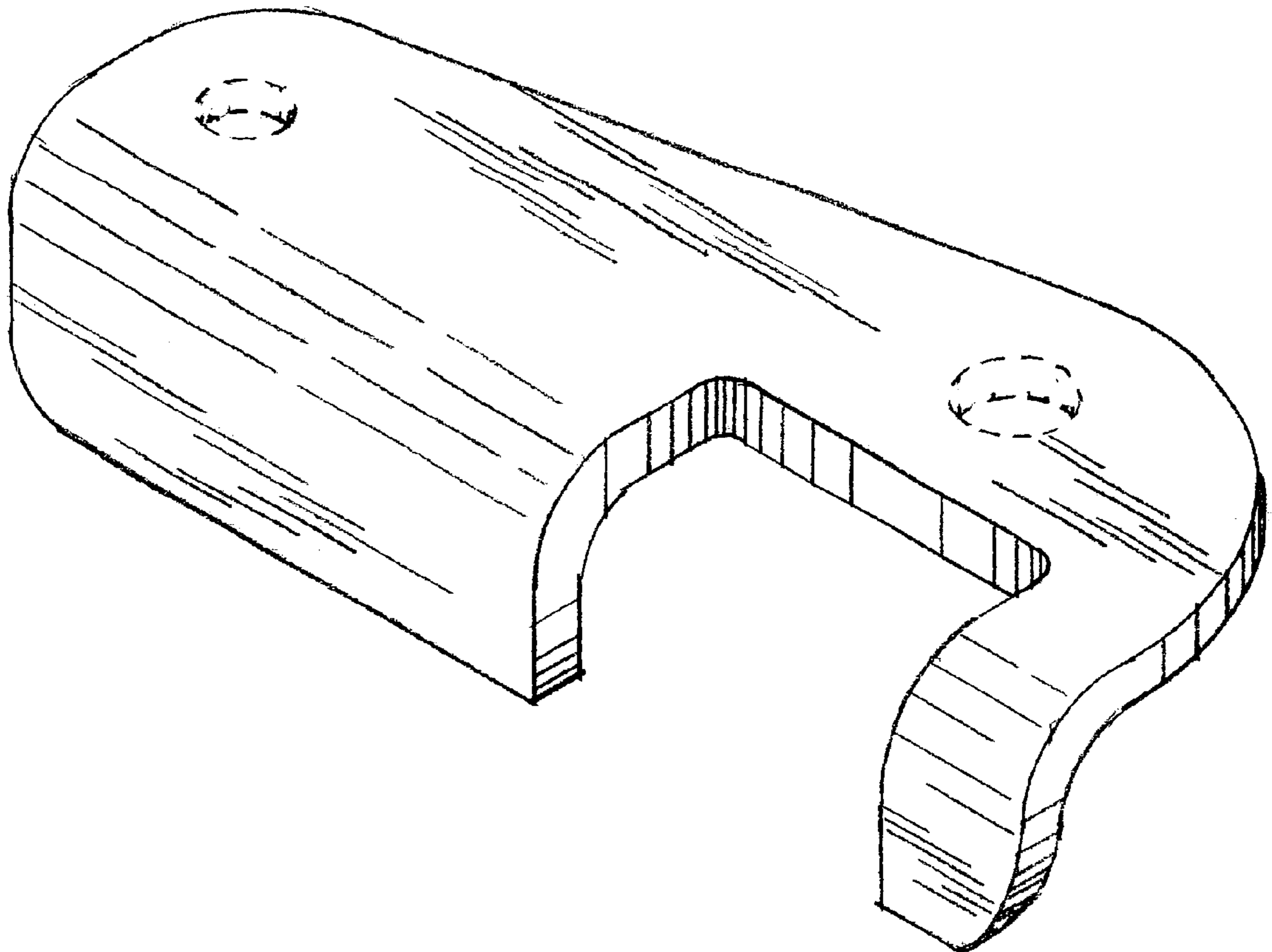
FIG. 5 is a rear elevational view thereof;

FIG. 6 is a left side elevational view; and,

FIG. 7 is a right side elevational view thereof.

The broken lines showing environment in the drawings are for illustrative purposes only and form no part of the claimed design.

1 Claim, 2 Drawing Sheets



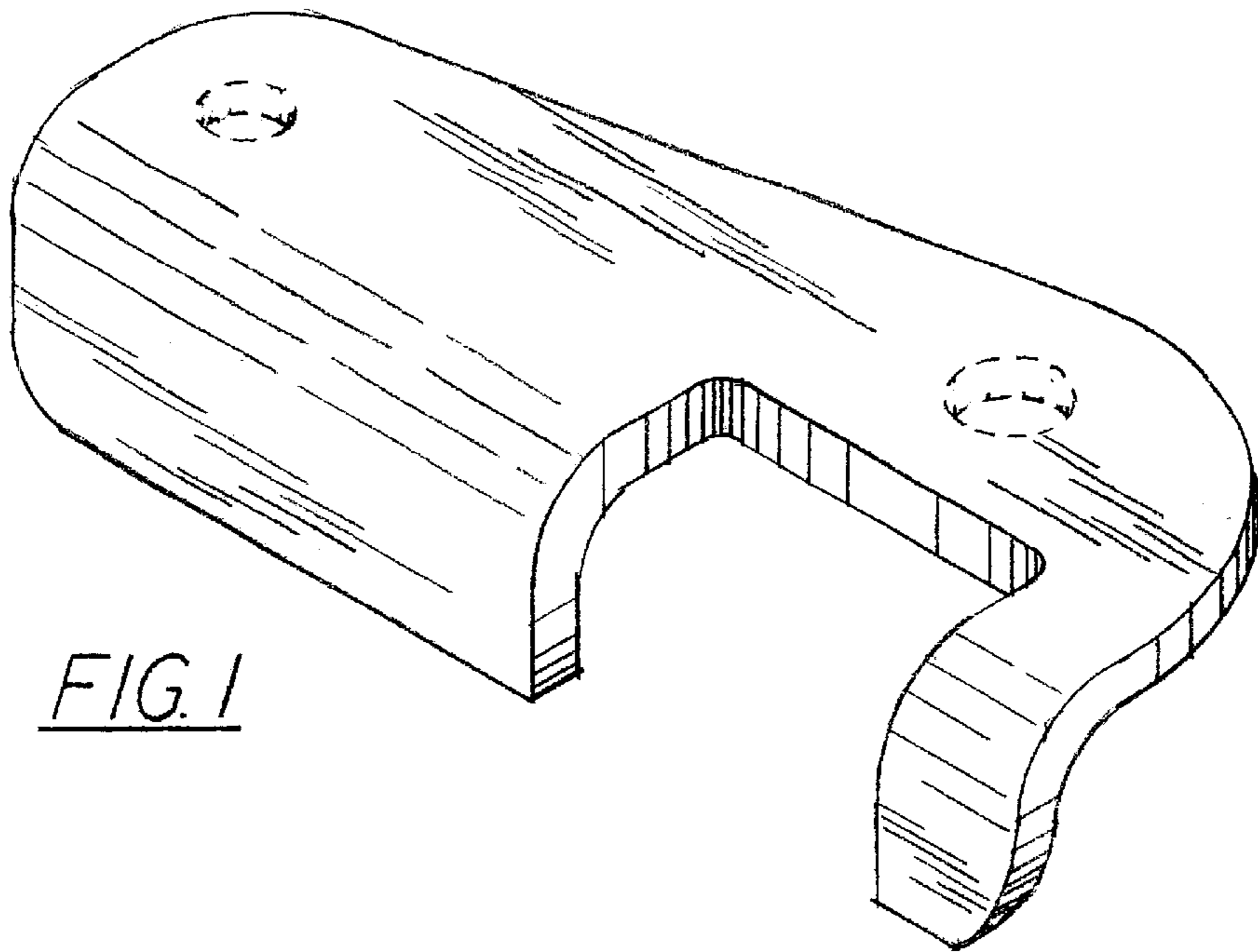


FIG. 1

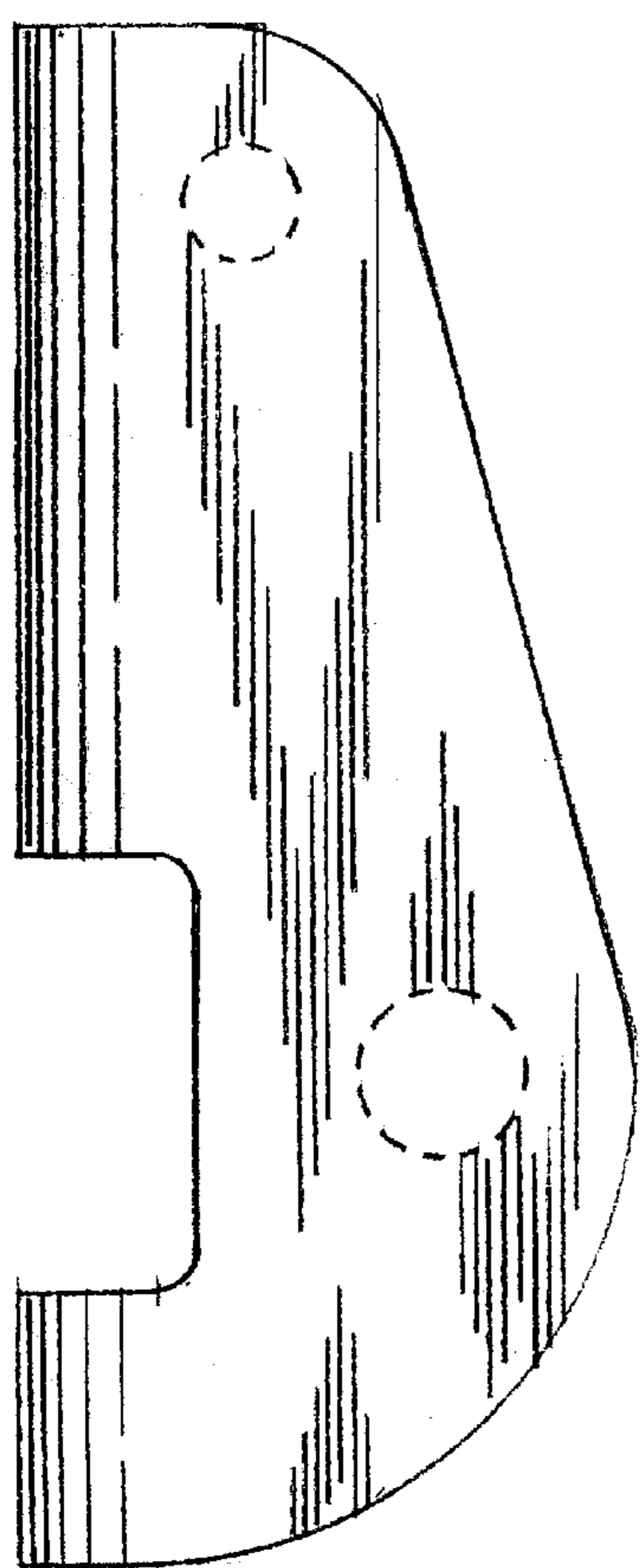


FIG. 2

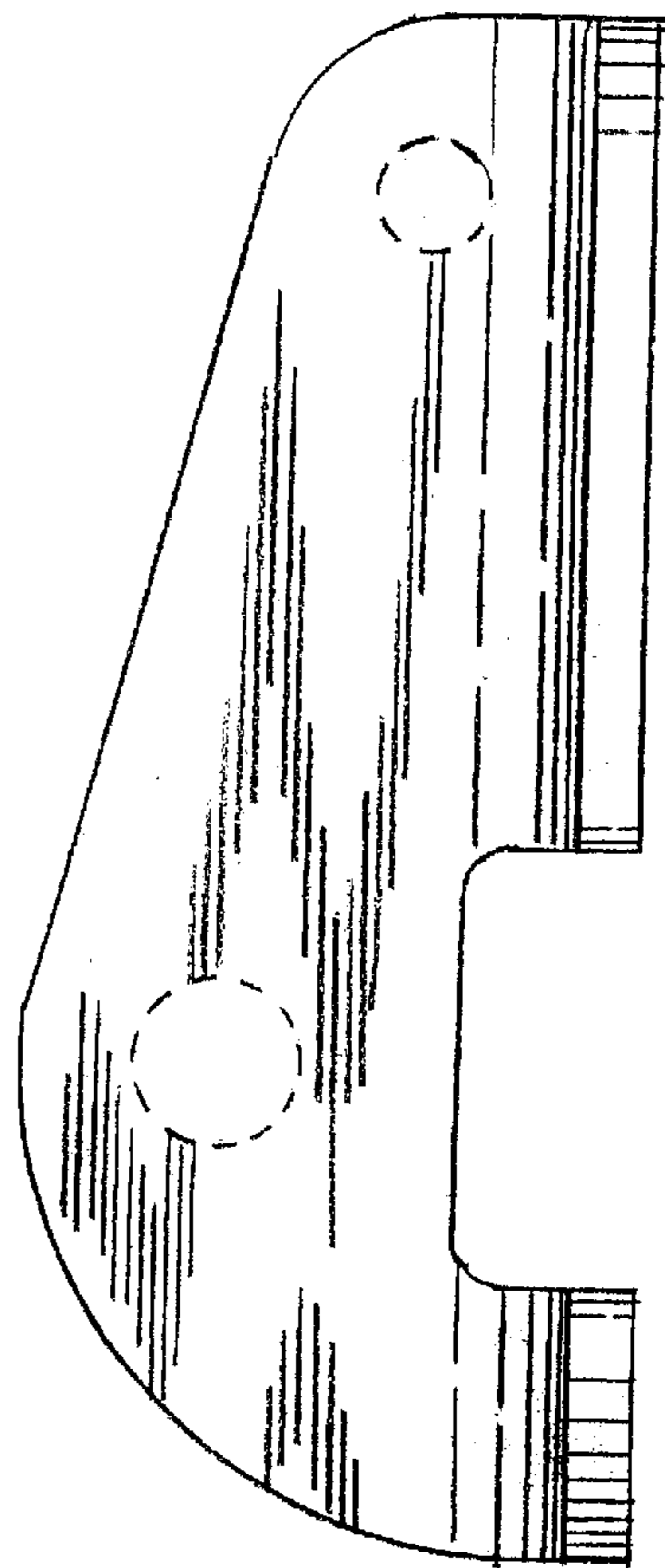


FIG. 3

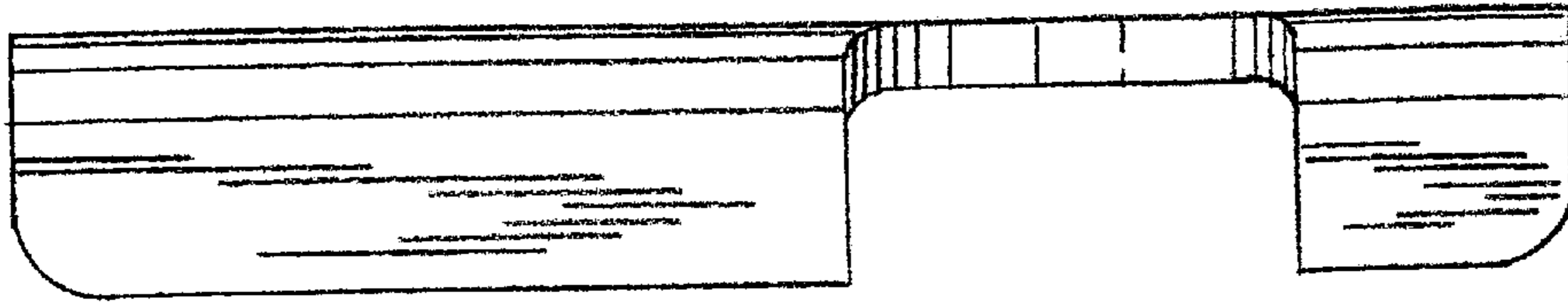


FIG. 4

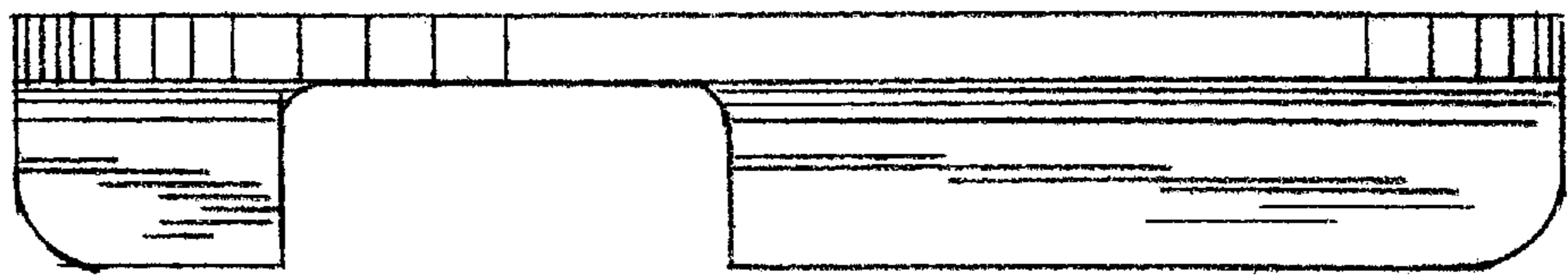


FIG. 5

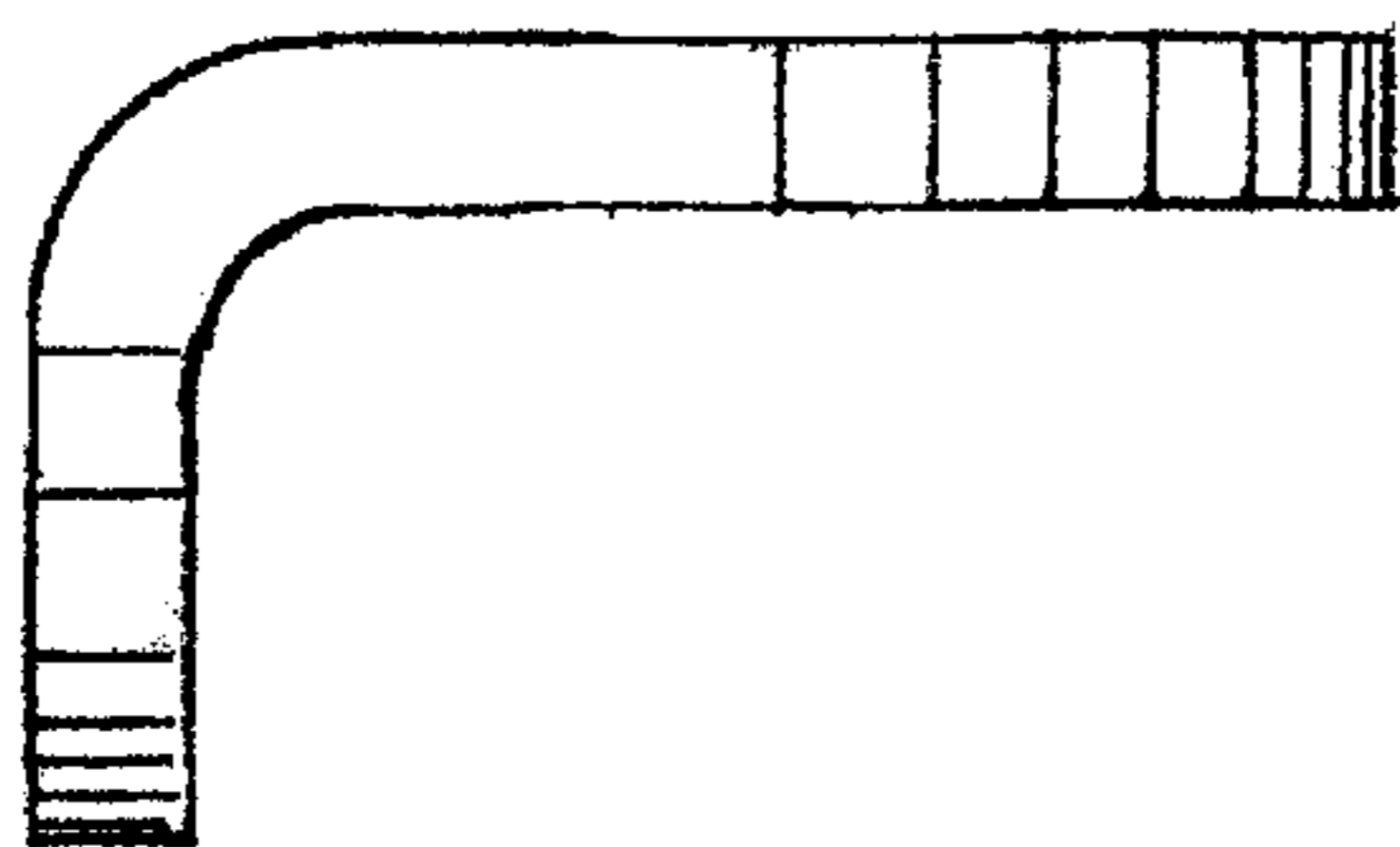


FIG. 6

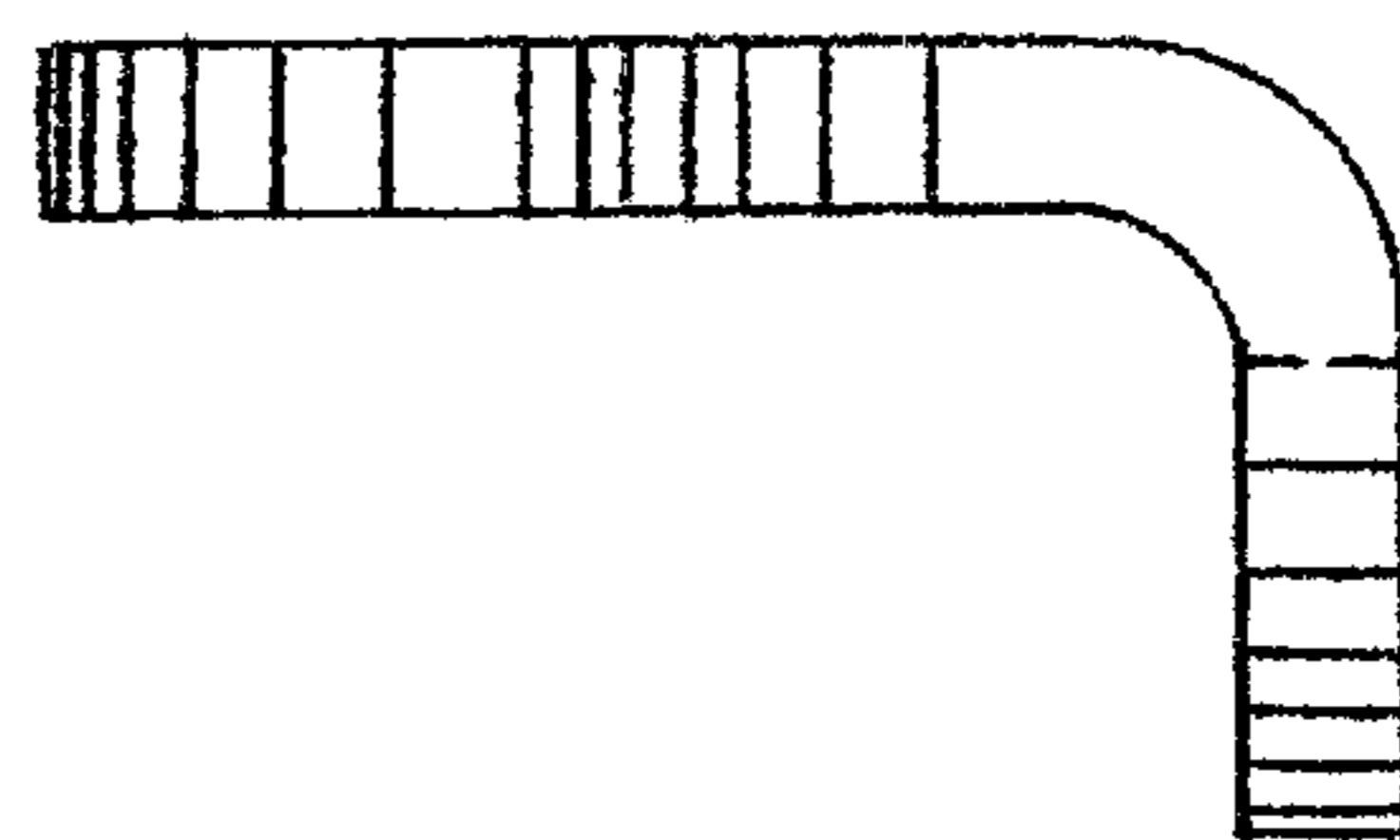


FIG. 7