



US00D470389S

(12) **United States Design Patent**
Richardson

(10) **Patent No.:** **US D470,389 S**

(45) **Date of Patent:** **** *Feb. 18, 2003**

(54) **HANDLE**

(75) Inventor: **Leigh Richardson**, Upper Hutt (NZ)

(73) Assignee: **Interlock Group Limited** (NZ)

(*) Notice: This patent is subject to a terminal disclaimer.

(**) Term: **14 Years**

(21) Appl. No.: **29/134,637**

(22) Filed: **Dec. 20, 2000**

(30) **Foreign Application Priority Data**

Jun. 22, 2000 (NZ) 400879

(51) **LOC (7) Cl.** **08-06**

(52) **U.S. Cl.** **D8/319; D8/320**

(58) **Field of Search** D8/300, 301, 302,
D8/315-320, 350, 352; 16/110.1, 412, 415,
443

(56) **References Cited**

U.S. PATENT DOCUMENTS

- D340,398 S * 10/1993 Clancy D8/319
- D384,266 S * 9/1997 Mantarakis et al. D8/319
- D384,568 S * 10/1997 Mantarakis et al. D8/317
- D397,604 S * 9/1998 Libby et al. D8/319

- D409,472 S * 5/1999 Wang D8/320
- D427,878 S * 7/2000 Frey D8/302
- D431,994 S * 10/2000 Libby et al. D8/319
- D448,647 S * 10/2001 Goldsbury D8/319

* cited by examiner

Primary Examiner—B. J. Bullock

(74) *Attorney, Agent, or Firm*—Blakely Sokoloff Taylor & Zafman

(57) **CLAIM**

The ornamental design for a handle, as shown and described.

DESCRIPTION

FIG. 1 is a top, and a side perspective view of a handle showing my new design;

FIG. 2 is a front elevation view thereof;

FIG. 3 is a side elevation view thereof;

FIG. 4 is a side elevation view thereof showing the side opposite that shown in FIG. 3;

FIG. 5 is a top plan view thereof;

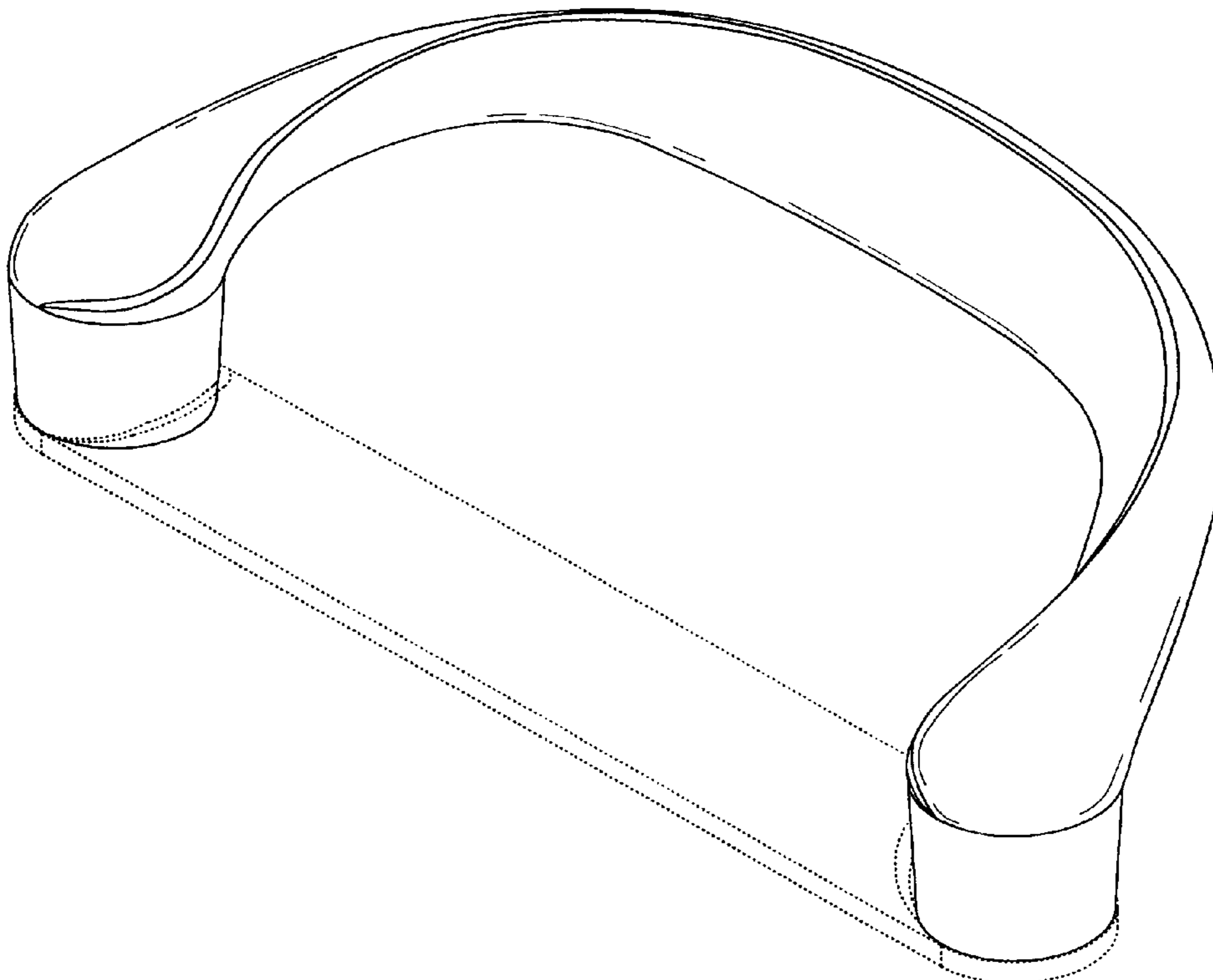
FIG. 6 is a rear elevation view thereof; and,

FIG. 7 is a bottom plan view thereof.

FIGS. 2-7 are shown on a variety of enlarged scales in relation to FIG. 1.

The broken lines are for illustrative purposes only and form no part of the claimed design.

1 Claim, 7 Drawing Sheets



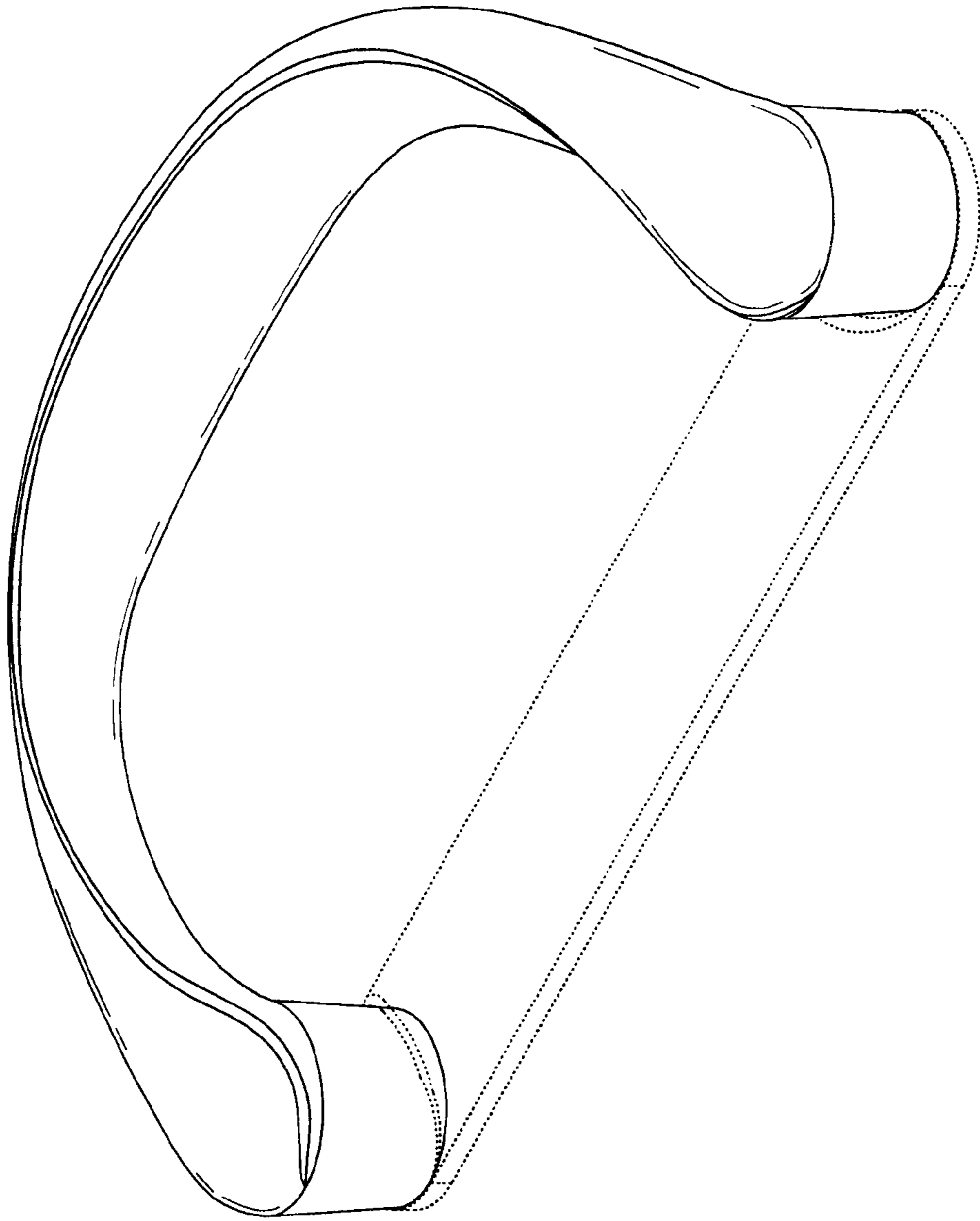


FIG. 1

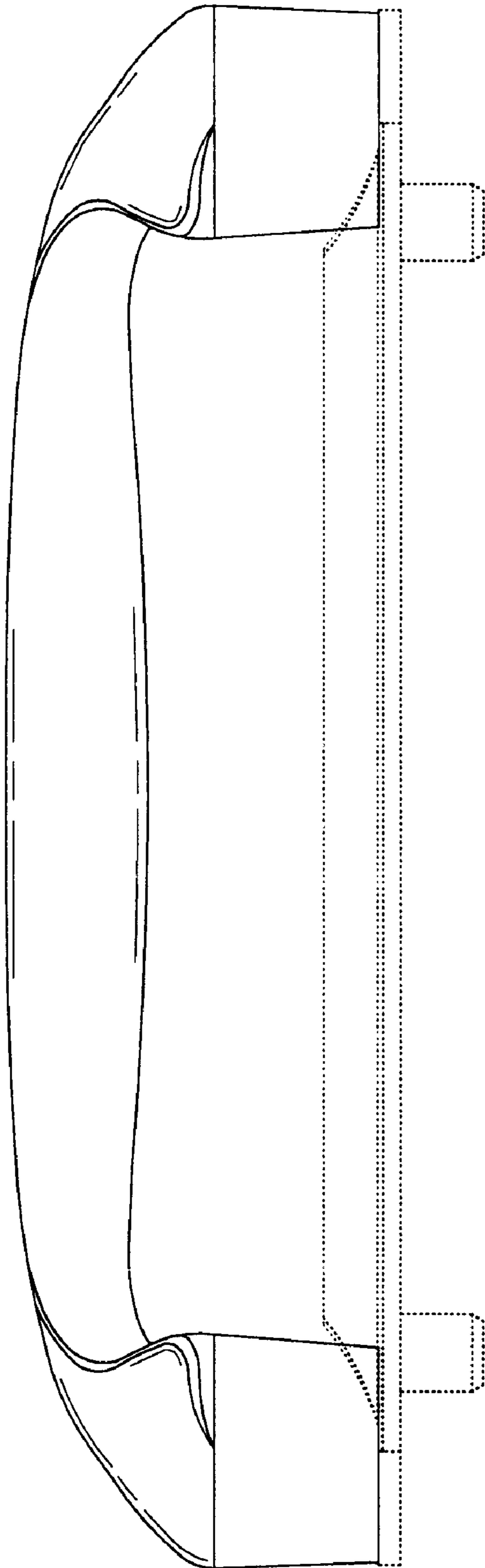


FIG. 2

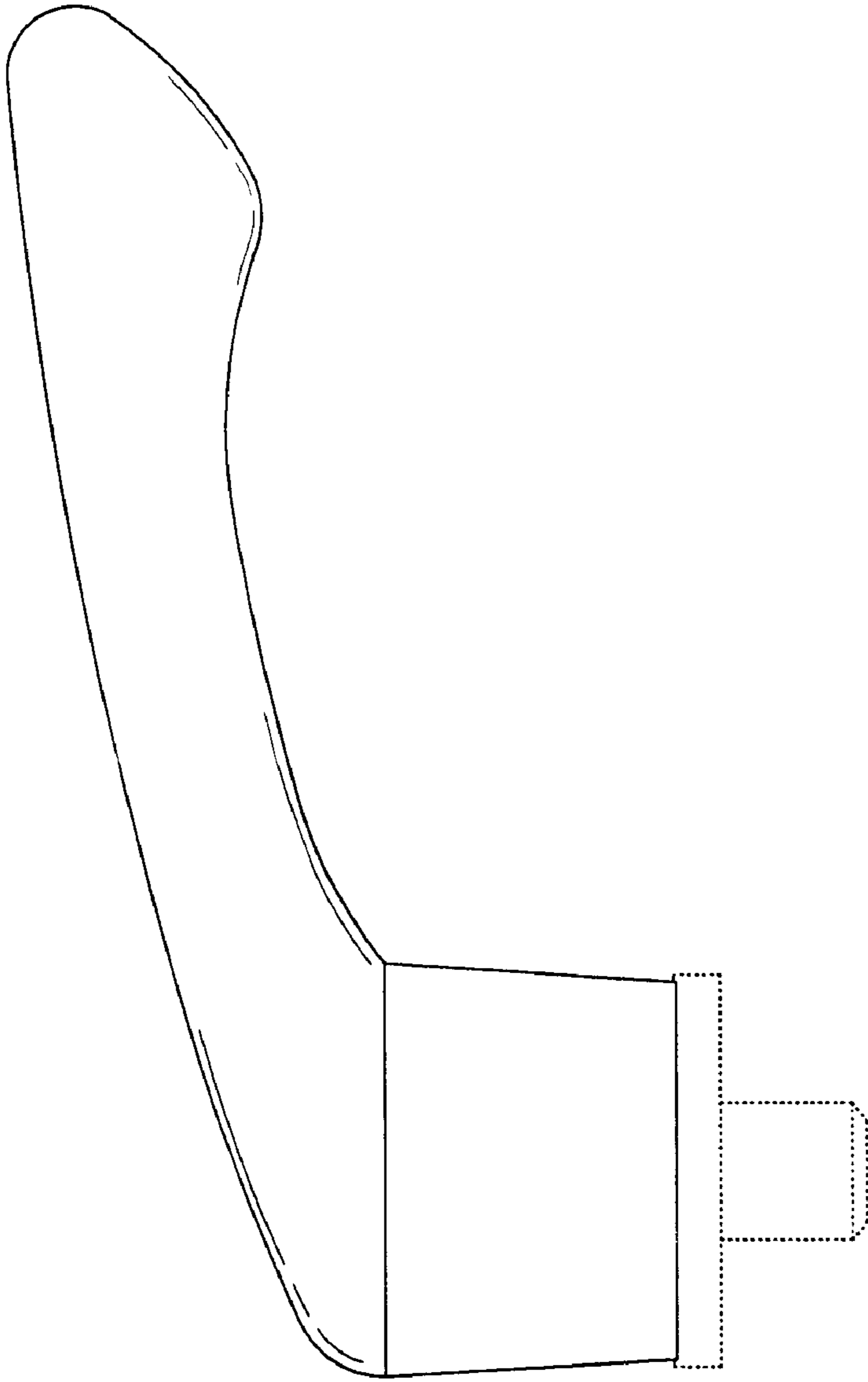


FIG. 3

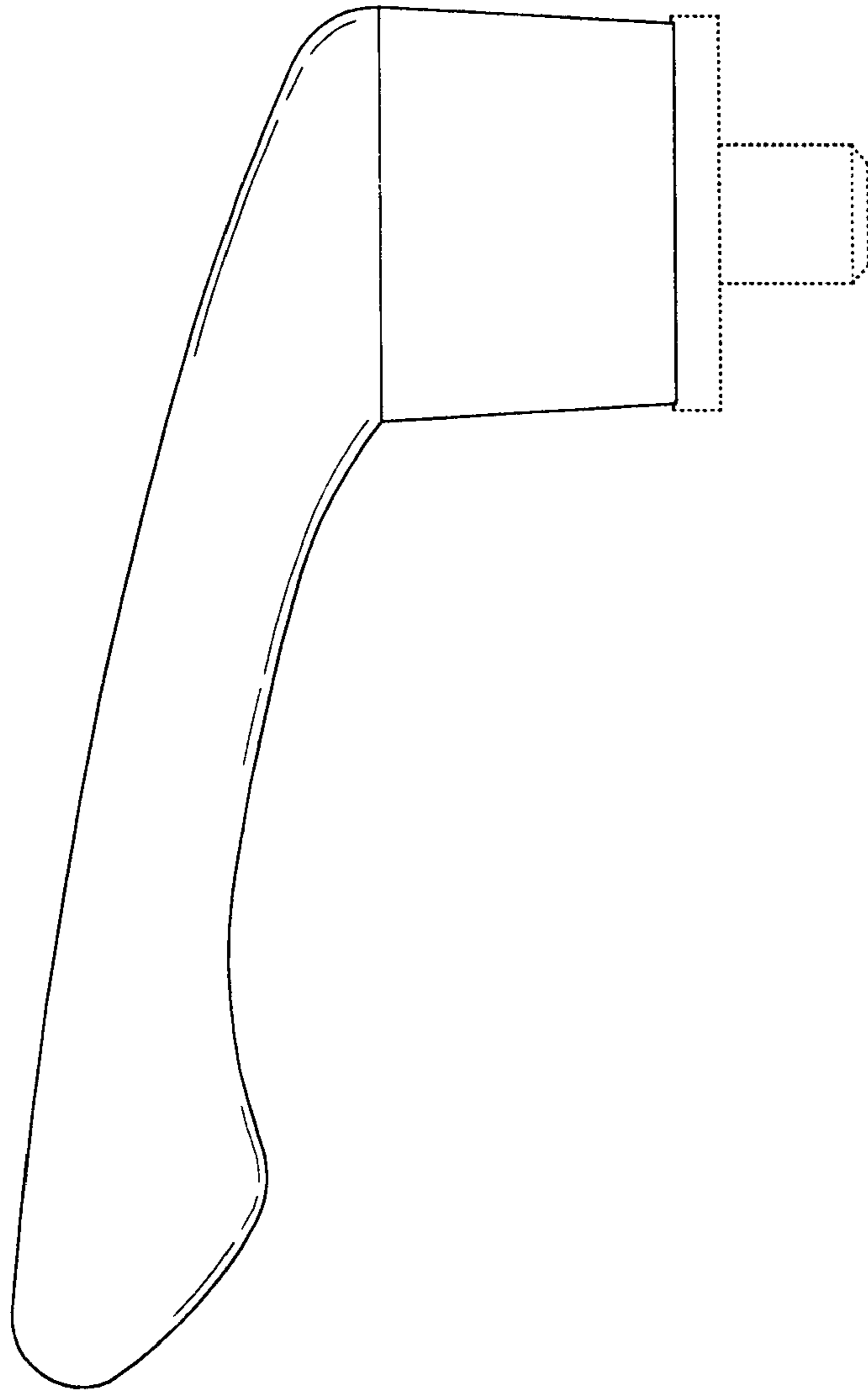


FIG. 4

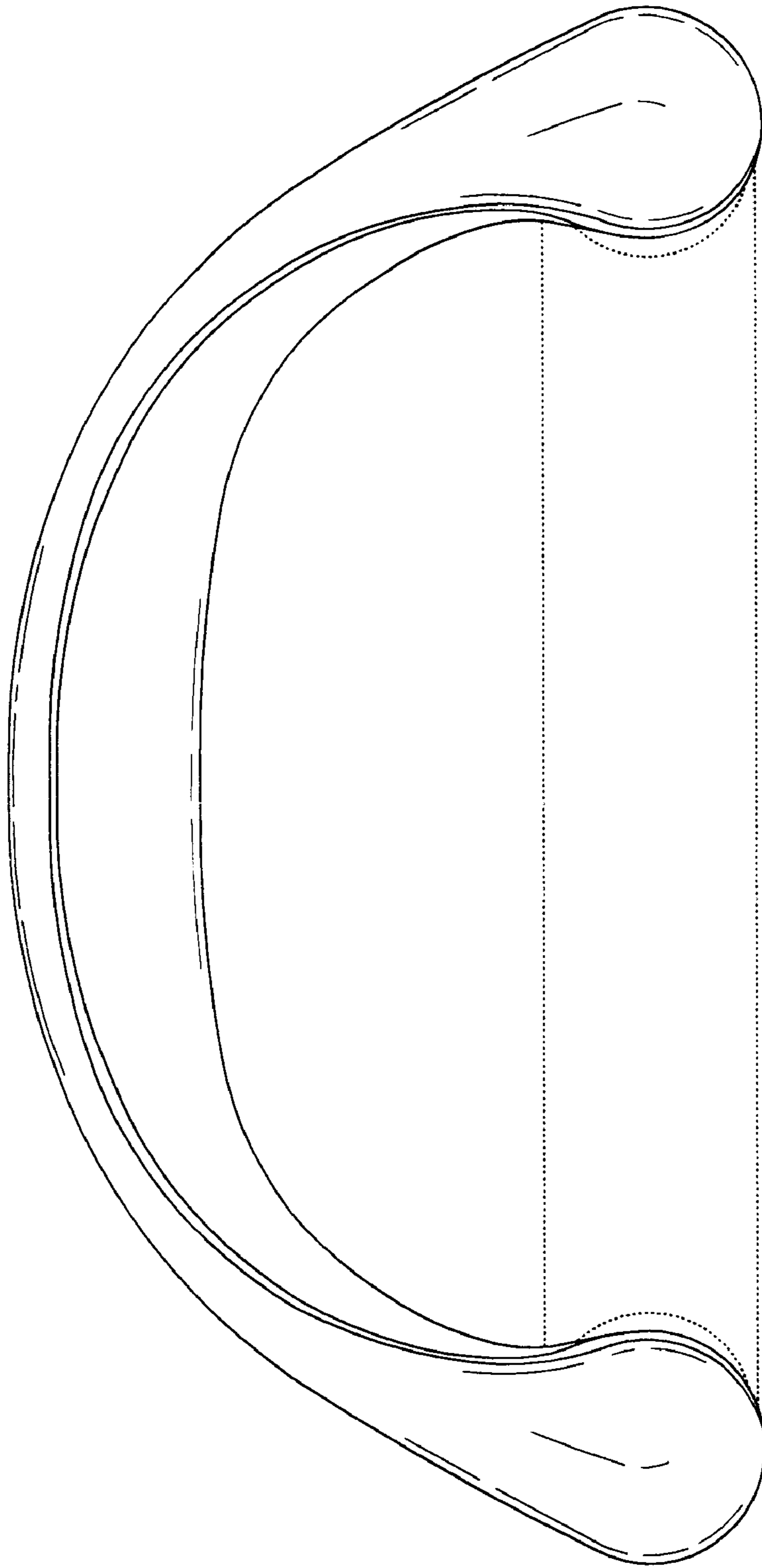


FIG. 5



FIG. 6

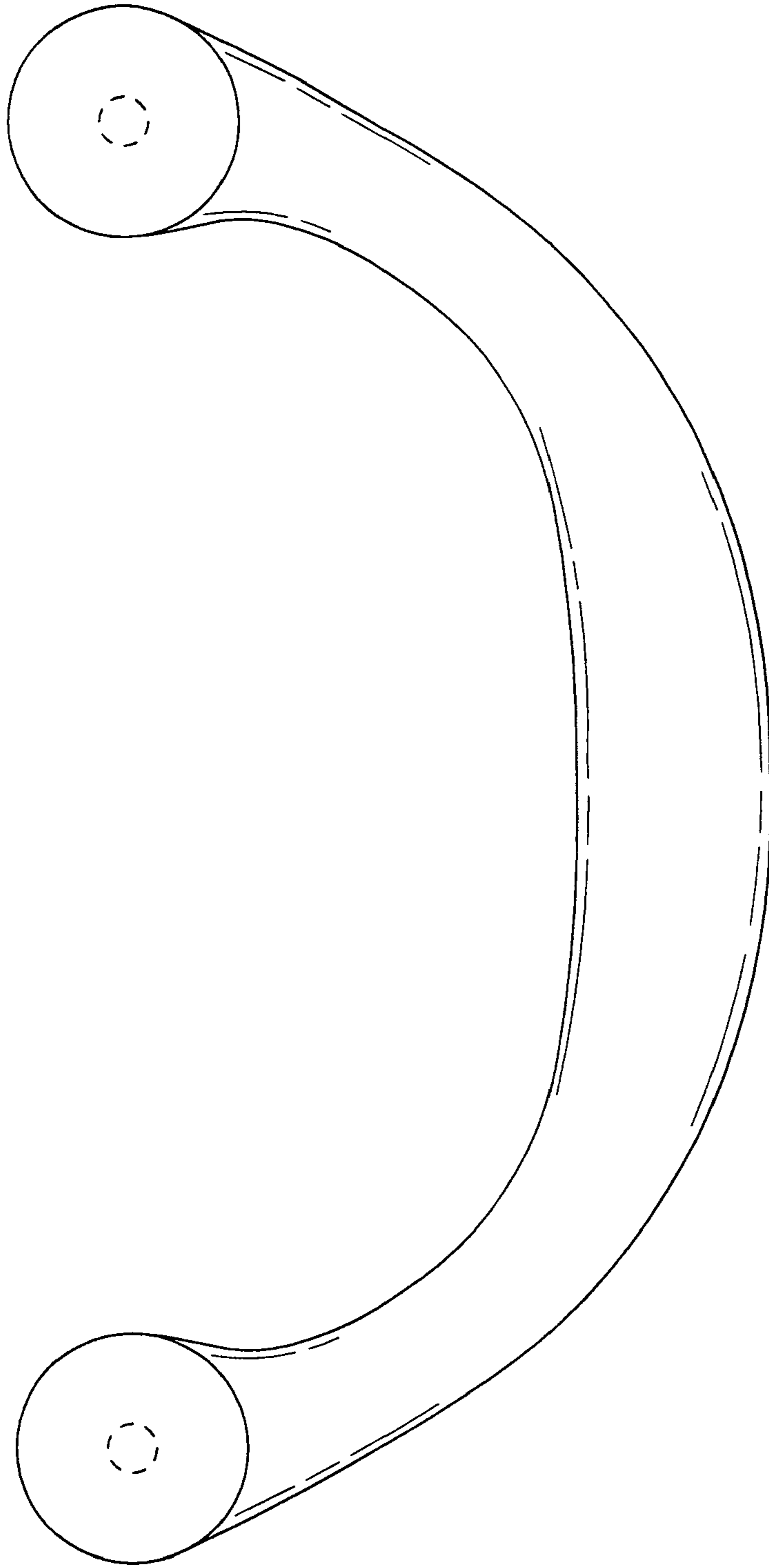


FIG. 7