



US00D470388S

(12) **United States Design Patent**
Levinson

(10) **Patent No.:** **US D470,388 S**

(45) **Date of Patent:** **** Feb. 18, 2003**

(54) **SLIDING HANDLE WITH PENCIL HOLDER**

(75) Inventor: **Emmy Levinson**, Kibbutz Amiad (IL)

(73) Assignee: **Kapro Industries Ltd.**, D.N. Bikat Beit Hakerem (IL)

(**) Term: **14 Years**

(21) Appl. No.: **29/156,038**

(22) Filed: **Feb. 25, 2002**

(51) **LOC (7) Cl.** **08-06**

(52) **U.S. Cl.** **D8/301; D3/206; D8/320; D10/74; D19/83**

(58) **Field of Search** D8/300, 301, 315-320; D10/74, 65; 33/479, 484; D3/206; D19/83; 206/214, 216; 24/11 CC, 11 CT, 10 R; 297/137, 168

(56) **References Cited**

U.S. PATENT DOCUMENTS

2,778,555 A * 1/1957 Poryle 294/137
3,153,507 A * 10/1964 House 294/137

4,666,203 A * 5/1987 Castro 24/10 R
D368,012 S * 3/1996 Dickinson et al. D8/306
D368,636 S * 4/1996 Planka et al. D8/300
D390,795 S * 2/1998 LaFrance D10/74
D433,811 S * 11/2000 Umiker D3/318

* cited by examiner

Primary Examiner—B. J. Bullock

(74) *Attorney, Agent, or Firm*—Nixon & Vanderhye

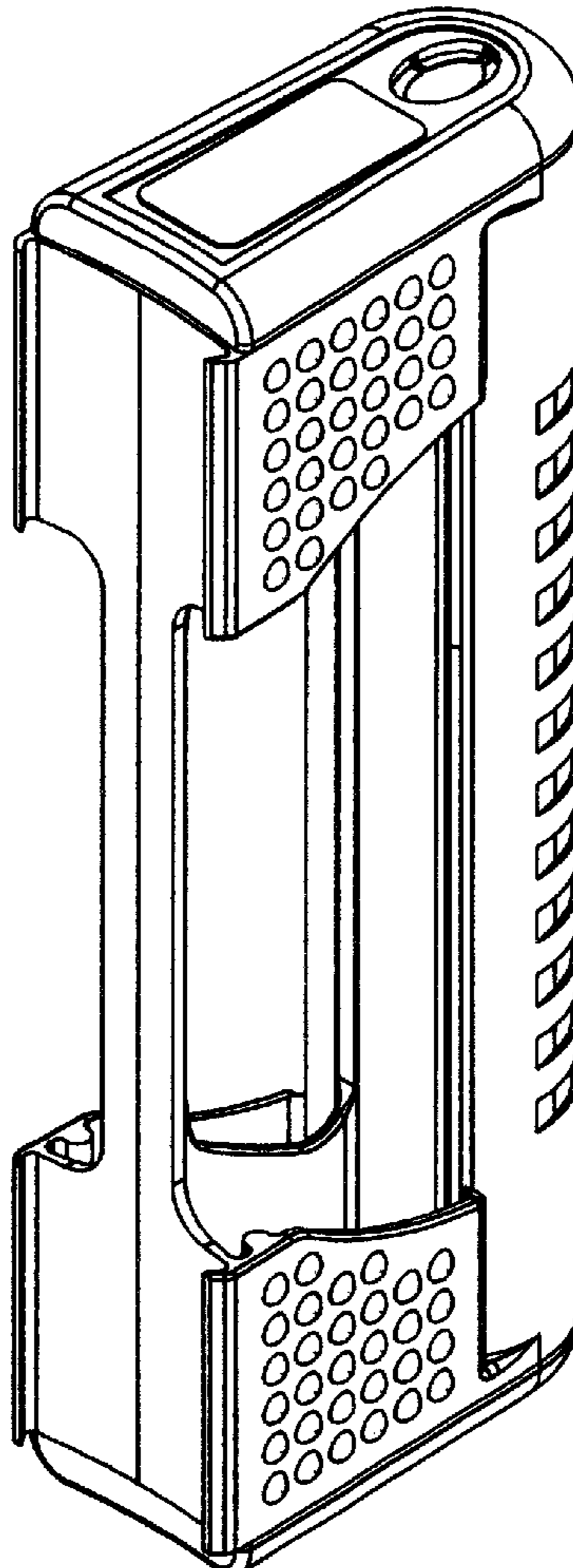
(57) **CLAIM**

The ornamental design for a “sliding handle with pencil holder”, as shown and described.

DESCRIPTION

FIG. 1 is a left side, bottom and front perspective view of a sliding handle with pencil holder according to my design; FIG. 2 is a bottom plan view thereof; FIG. 3 is a top plan view thereof; FIG. 4 is a left side elevational view thereof; FIG. 5 is a front elevational view thereof; FIG. 6 is a rear elevational view thereof; and, FIG. 7 is a right side elevational view thereof.

1 Claim, 7 Drawing Sheets



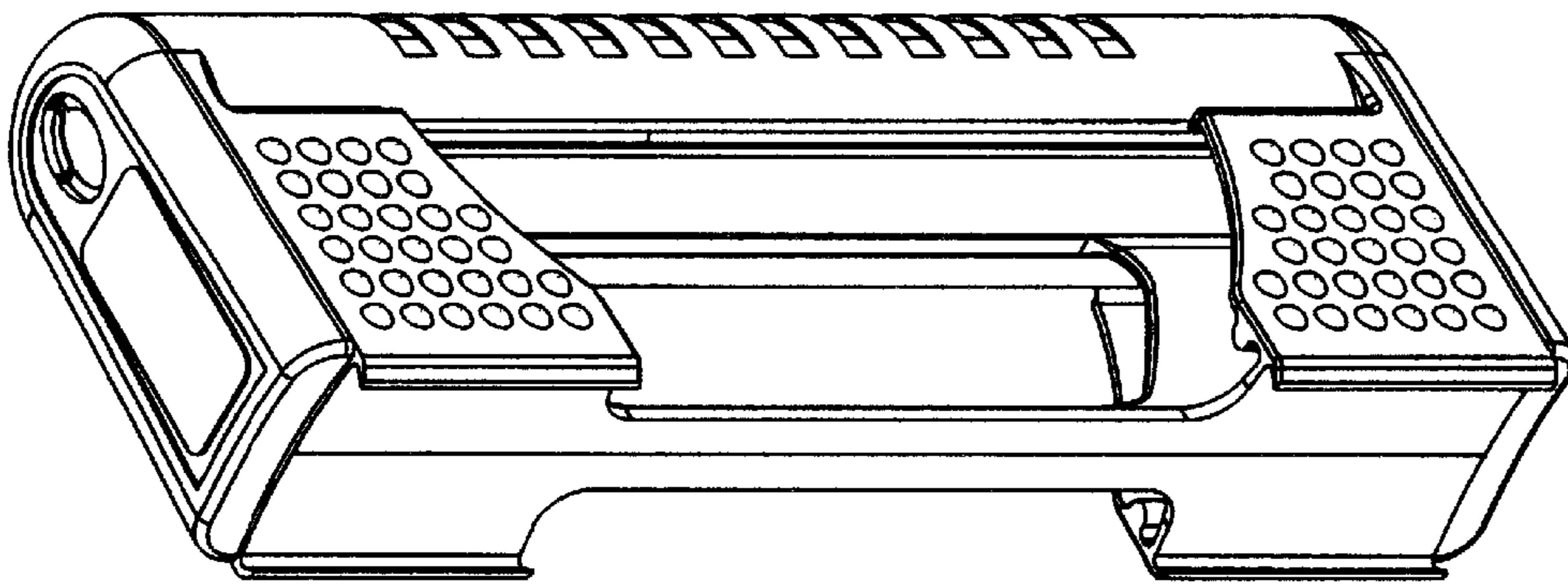


Figure 1

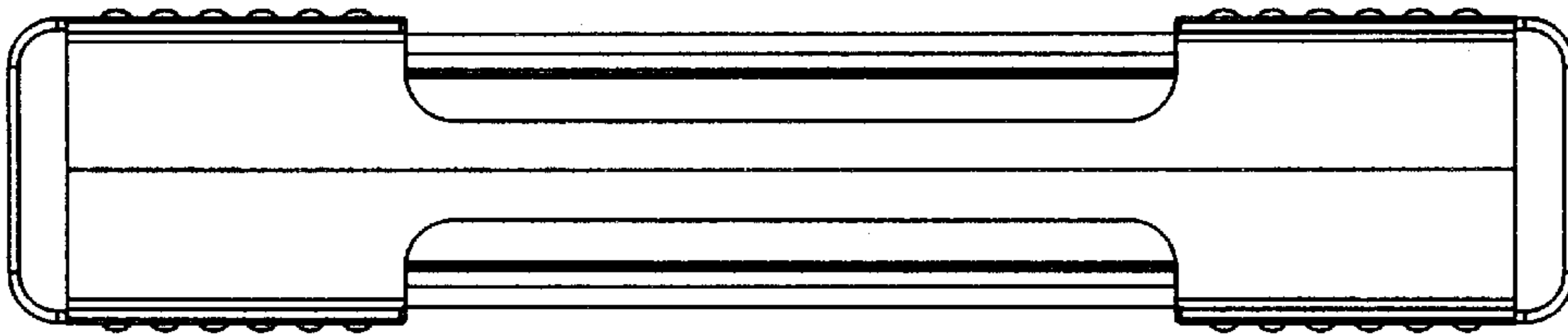


Figure 2

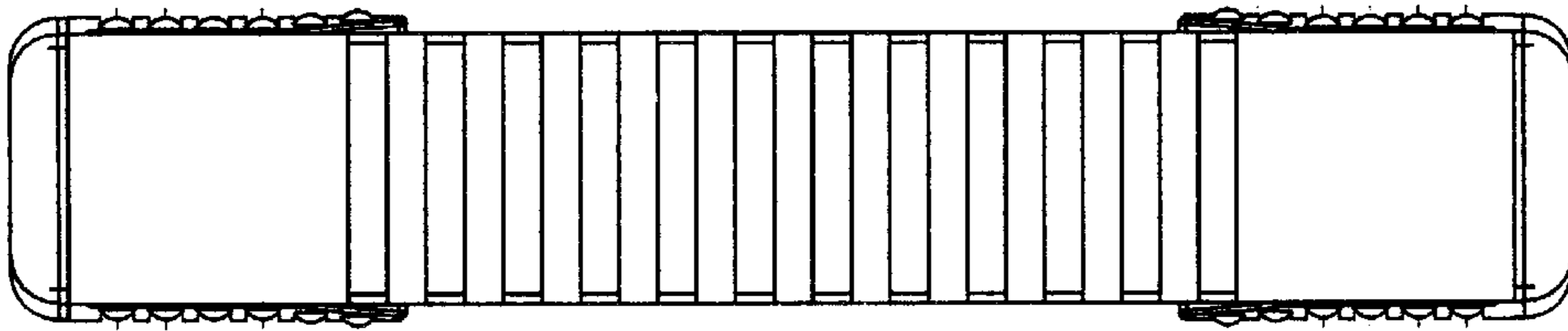


Figure 3

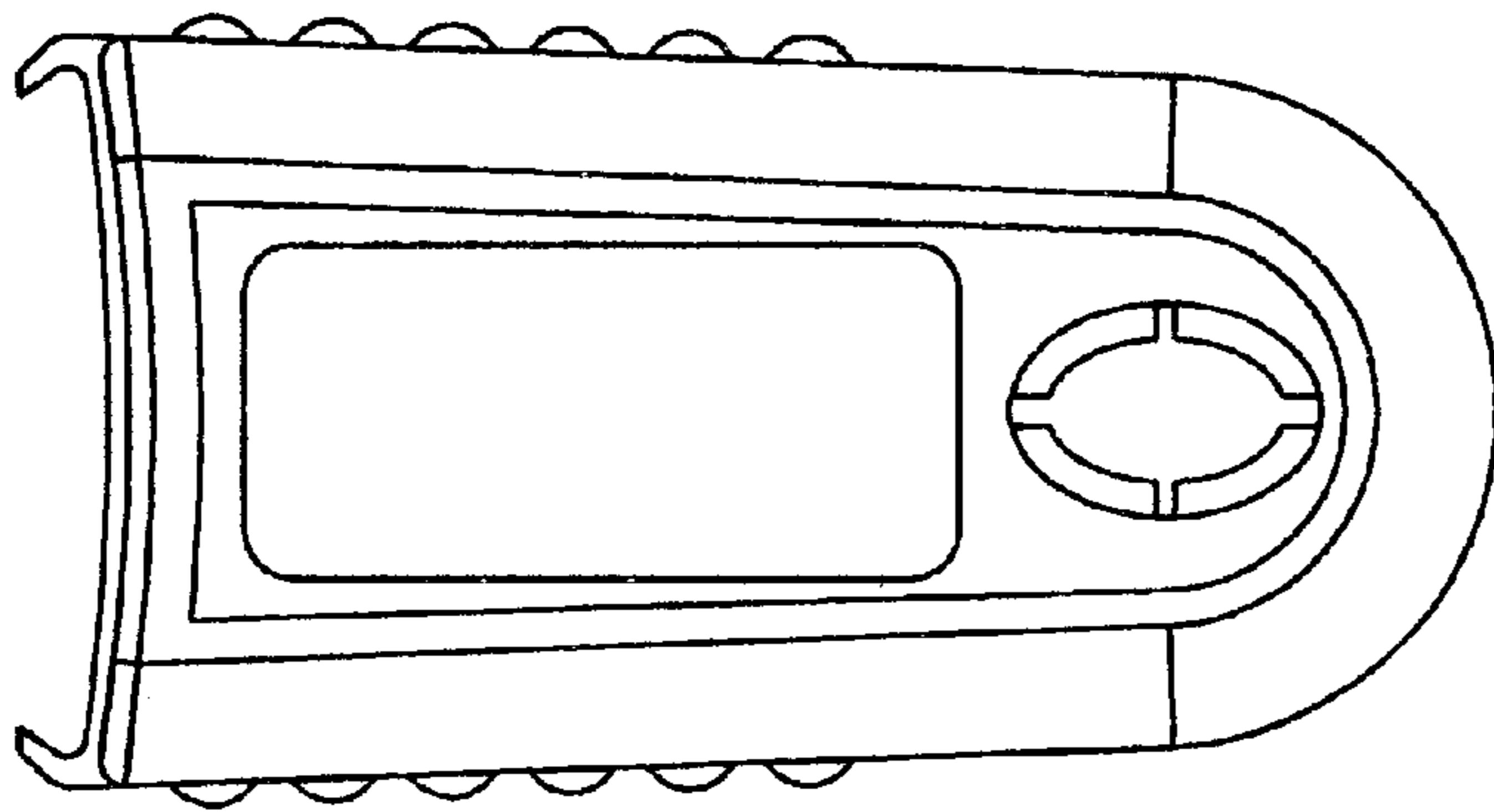


Figure 4

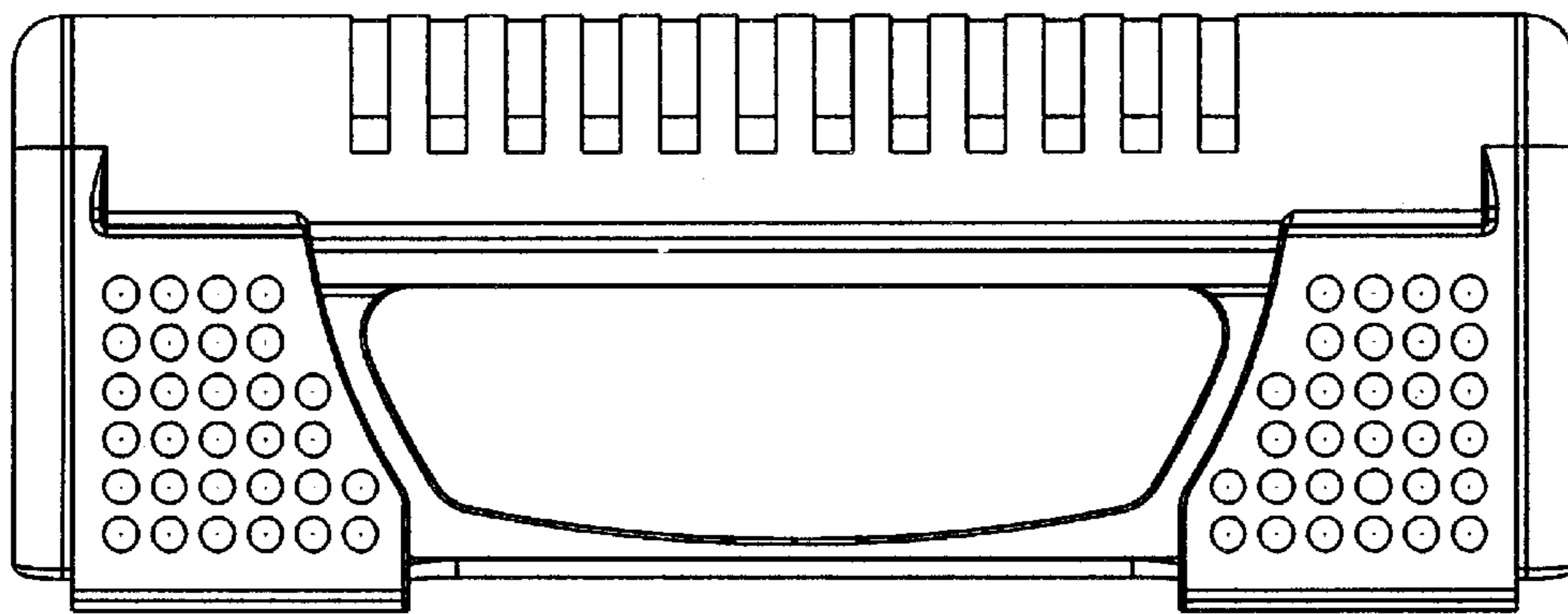


Figure 5

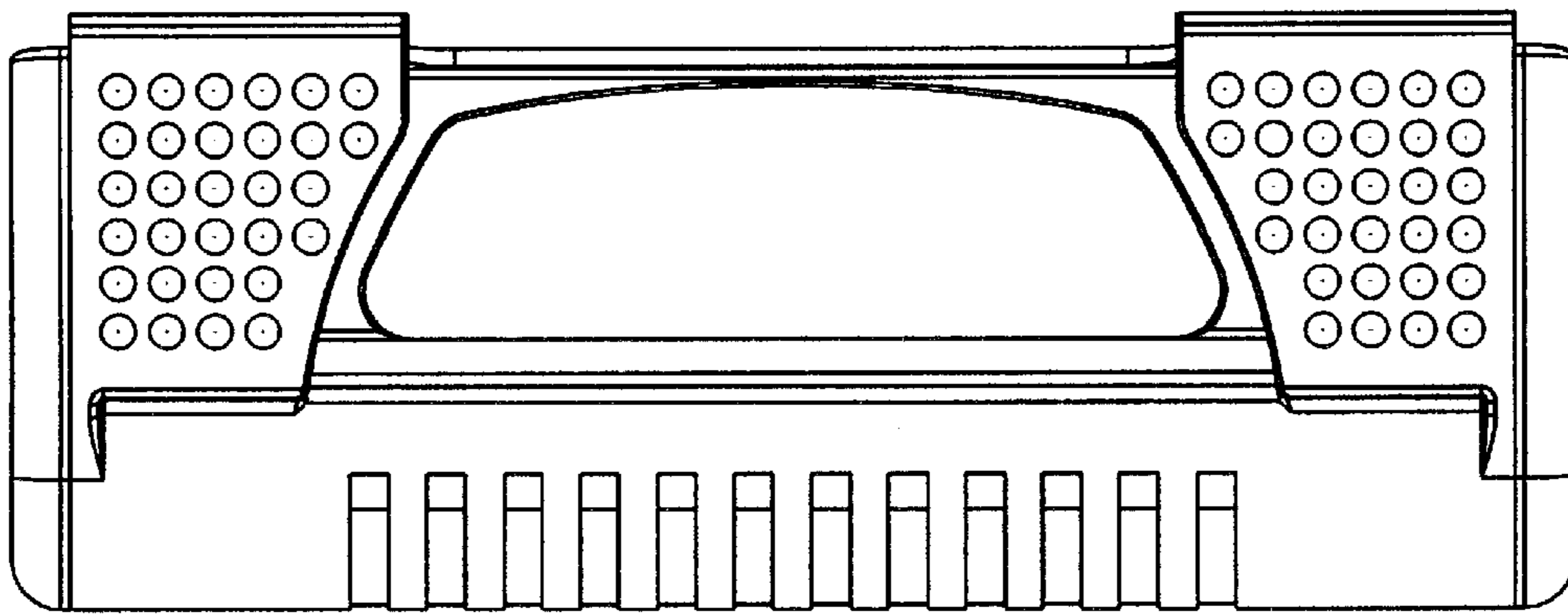


Figure 6

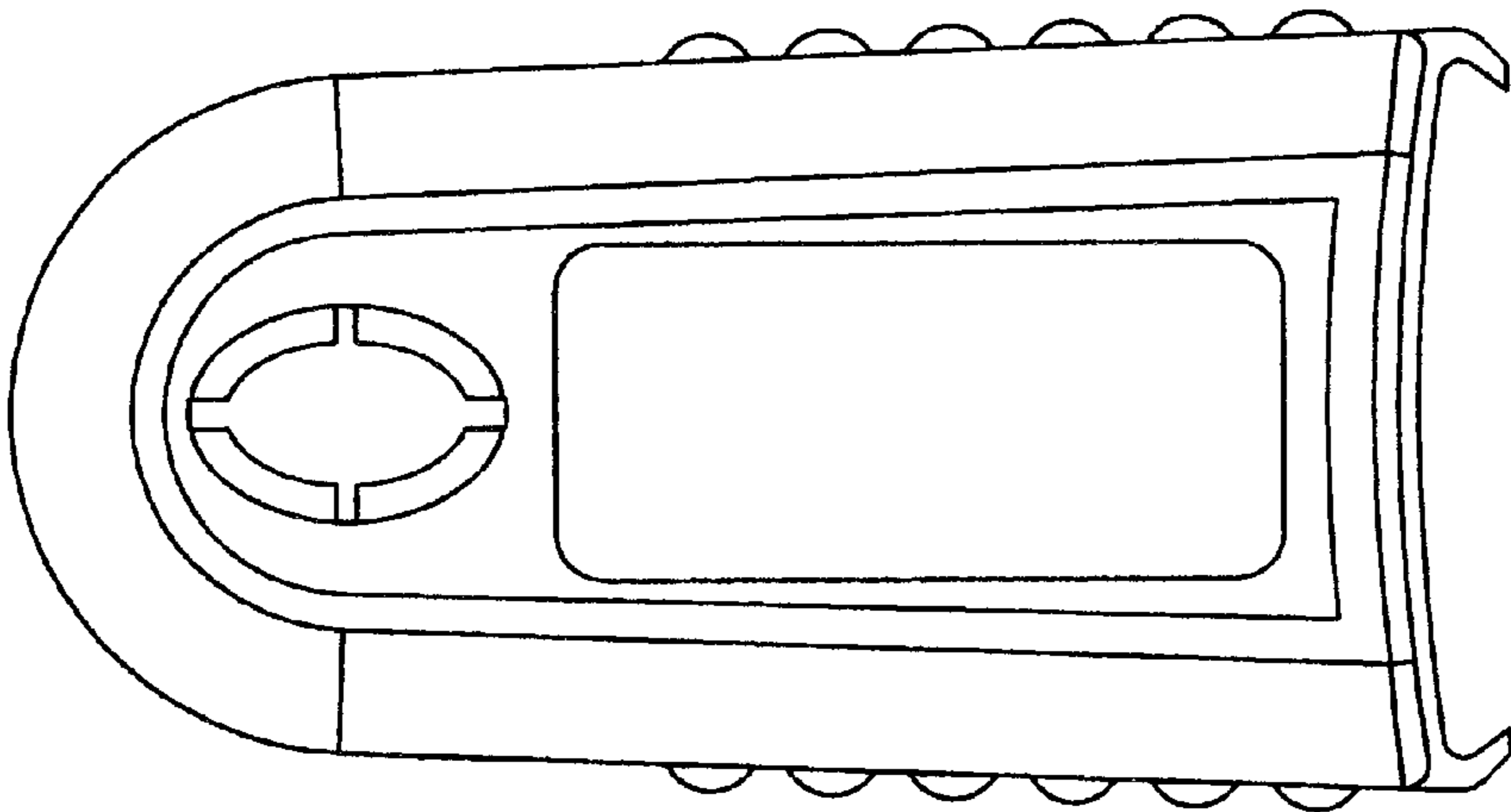


Figure 7