



US00D470387S

(12) **United States Design Patent**  
**Yeh**

(10) **Patent No.:** **US D470,387 S**

(45) **Date of Patent:** **\*\* Feb. 18, 2003**

(54) **TOOL HANDLE**

(76) Inventor: **Jui-Ju Yeh**, 14F, No. 223, Sec. 5,  
Nanking E. Rd., Taipei (TW)

(\*\*) Term: **14 Years**

(21) Appl. No.: **29/161,598**

(22) Filed: **Jun. 4, 2002**

(51) **LOC (7) Cl.** ..... **08-01**

(52) **U.S. Cl.** ..... **D8/107; D8/5**

(58) **Field of Search** ..... D8/5, 98, 99, 52-56,  
D8/107, 58, DIG. 4; 81/415-419, 489,  
486, 424.5, 324, 342, 367, 370, 380, 390,  
418, 420; 7/127-135; 30/28, 29, 120, 145,  
175, 191, 193; D7/649, 401.2, 393; 16/110.1

(56) **References Cited**

**U.S. PATENT DOCUMENTS**

108,463 A	*	10/1870	Durant	.....	D7/649
D6,757 S	*	7/1873	Frary	.....	D7/649
D21,693 S	*	7/1892	Kaldenberg	.....	D7/649
D103,797 S	*	3/1937	Beltram	.....	D7/649
2,333,736 A	*	11/1943	Overbey	.....	D7/649
2,696,621 A	*	12/1954	Miller	.....	30/124
5,870,786 A	*	2/1999	Papadopoulos	.....	7/165

**OTHER PUBLICATIONS**

Hong kong Enterprise Jun. 2001, p. 295, item  
#DHT-006-D, top center of page.\*

\* cited by examiner

*Primary Examiner*—Alan P. Douglas

*Assistant Examiner*—Clare E. Heflin

(74) *Attorney, Agent, or Firm*—Rosenberg, Klein & Lee

(57) **CLAIM**

The ornamental design for a tool handle, as shown and  
described.

**DESCRIPTION**

FIG. 1 is a front-right-top perspective view of a tool handle,  
showing my new design;

FIG. 2 is a front elevational view thereof;

FIG. 3 is a rear elevational view thereof;

FIG. 4 is a left elevational view thereof;

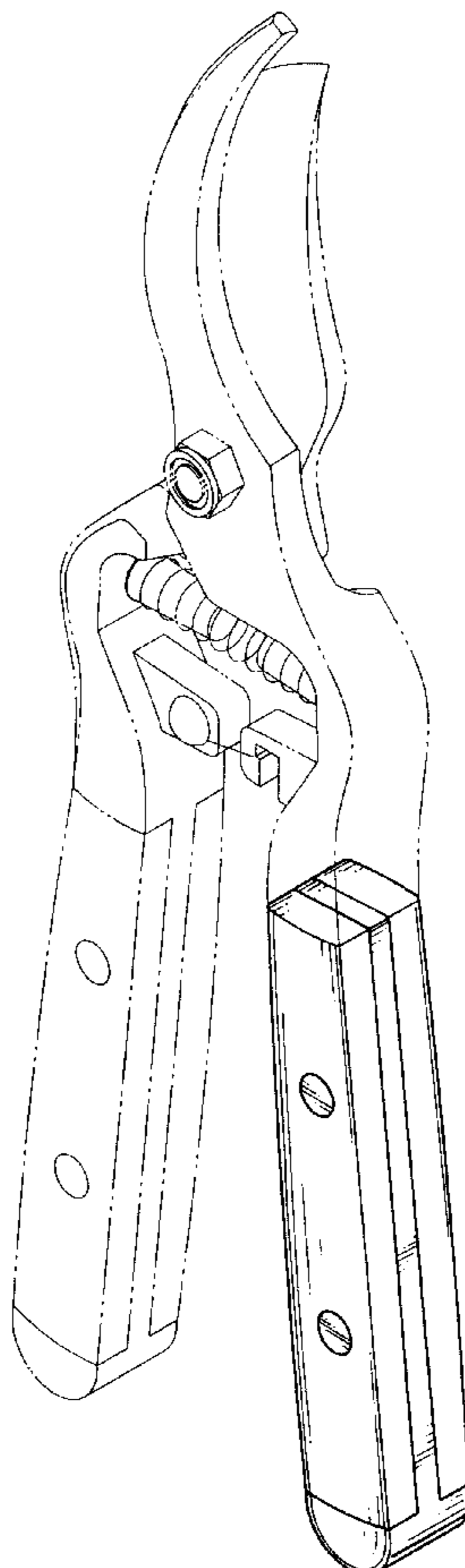
FIG. 5 is a right elevational view thereof;

FIG. 6 is top plan view thereof;

FIG. 7 is a bottom plan view thereof; and,

FIG. 8 is a schematic view showing the application of the  
tool handle to a shear, wherein the elements shown in broken  
lines are for illustrative purpose only and form no part of the  
claimed design.

**1 Claim, 5 Drawing Sheets**



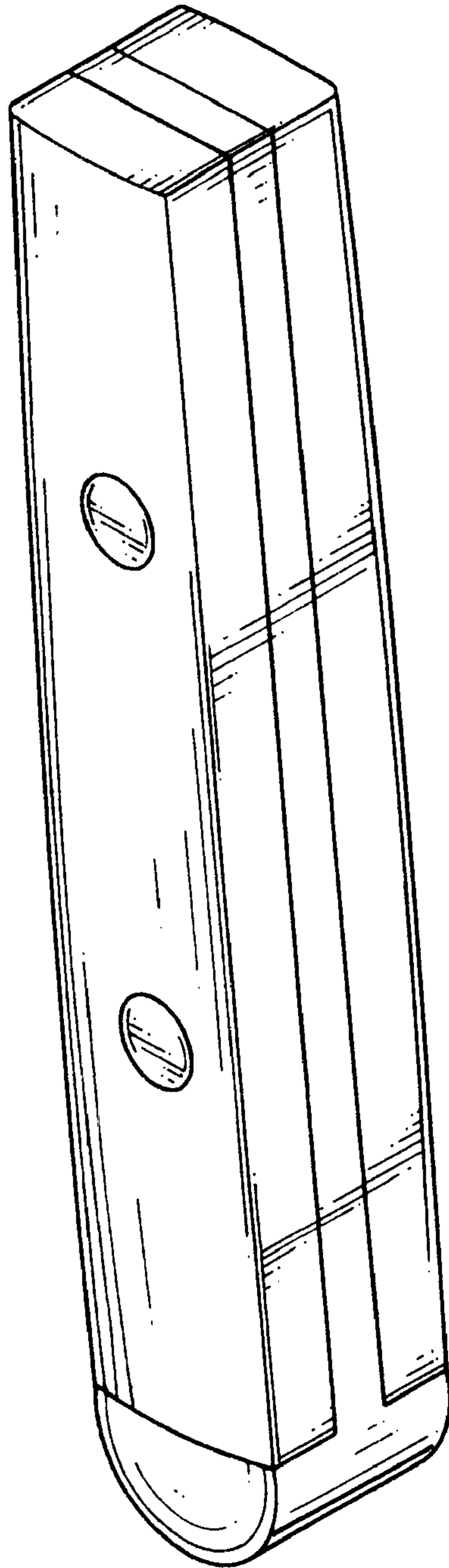


FIG. 1

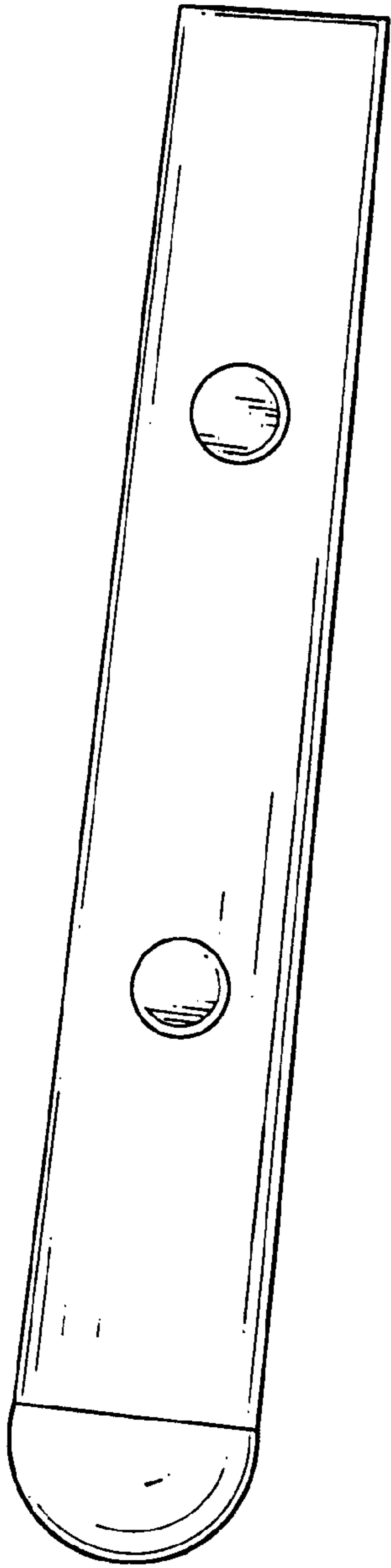


FIG. 3

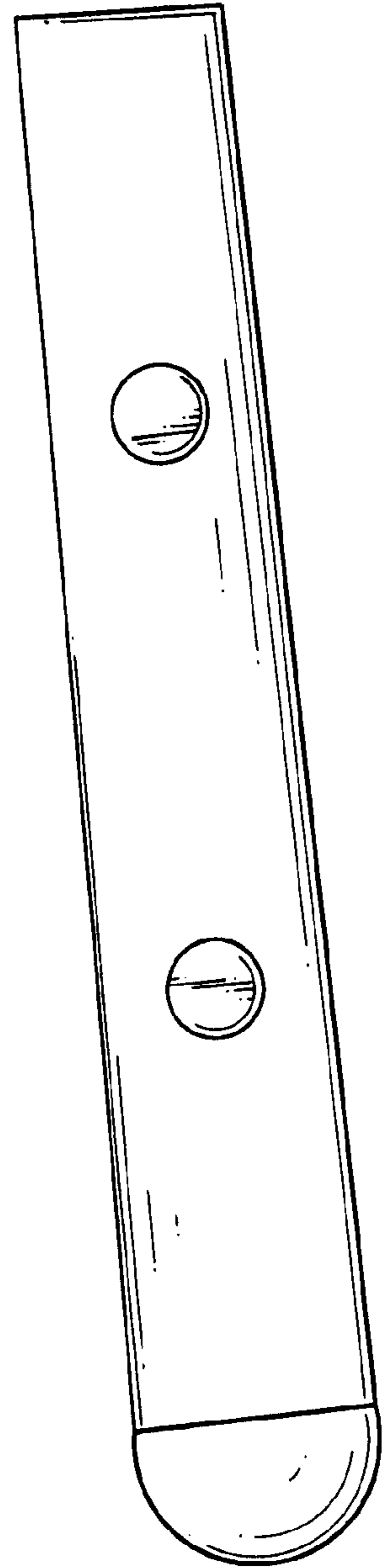


FIG. 2

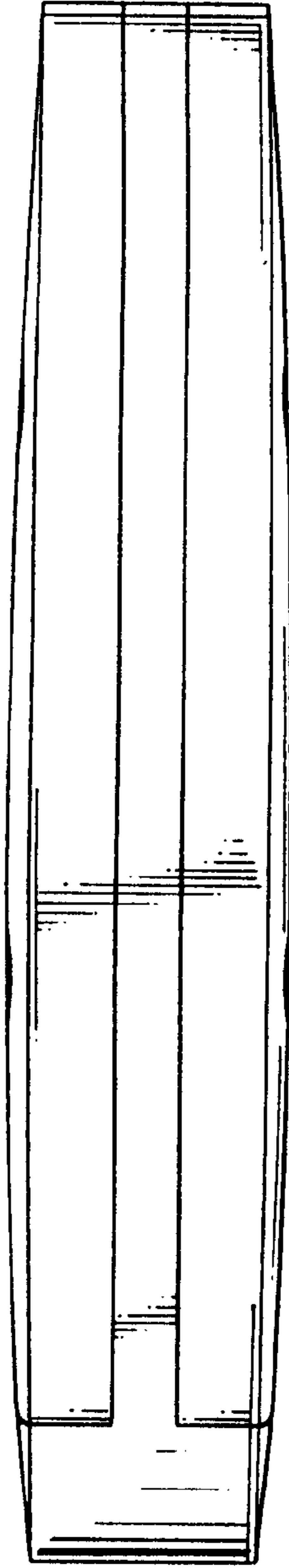


FIG. 4

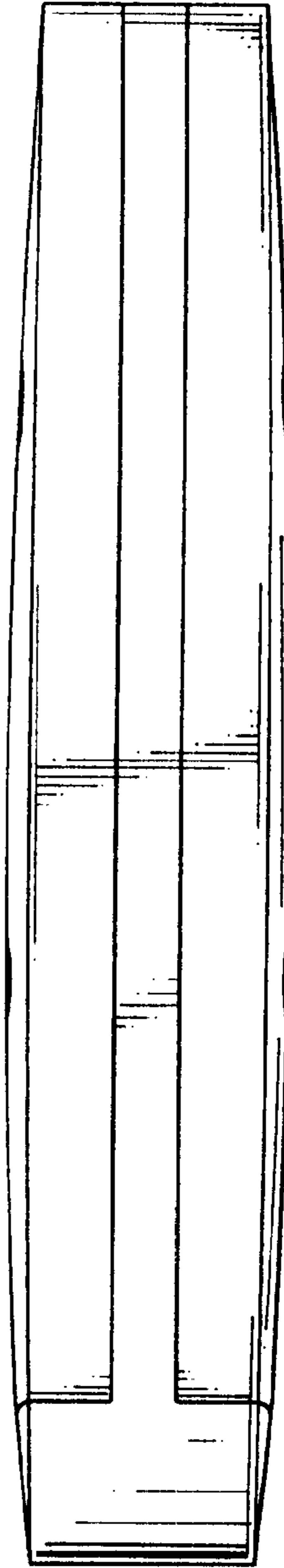


FIG. 5

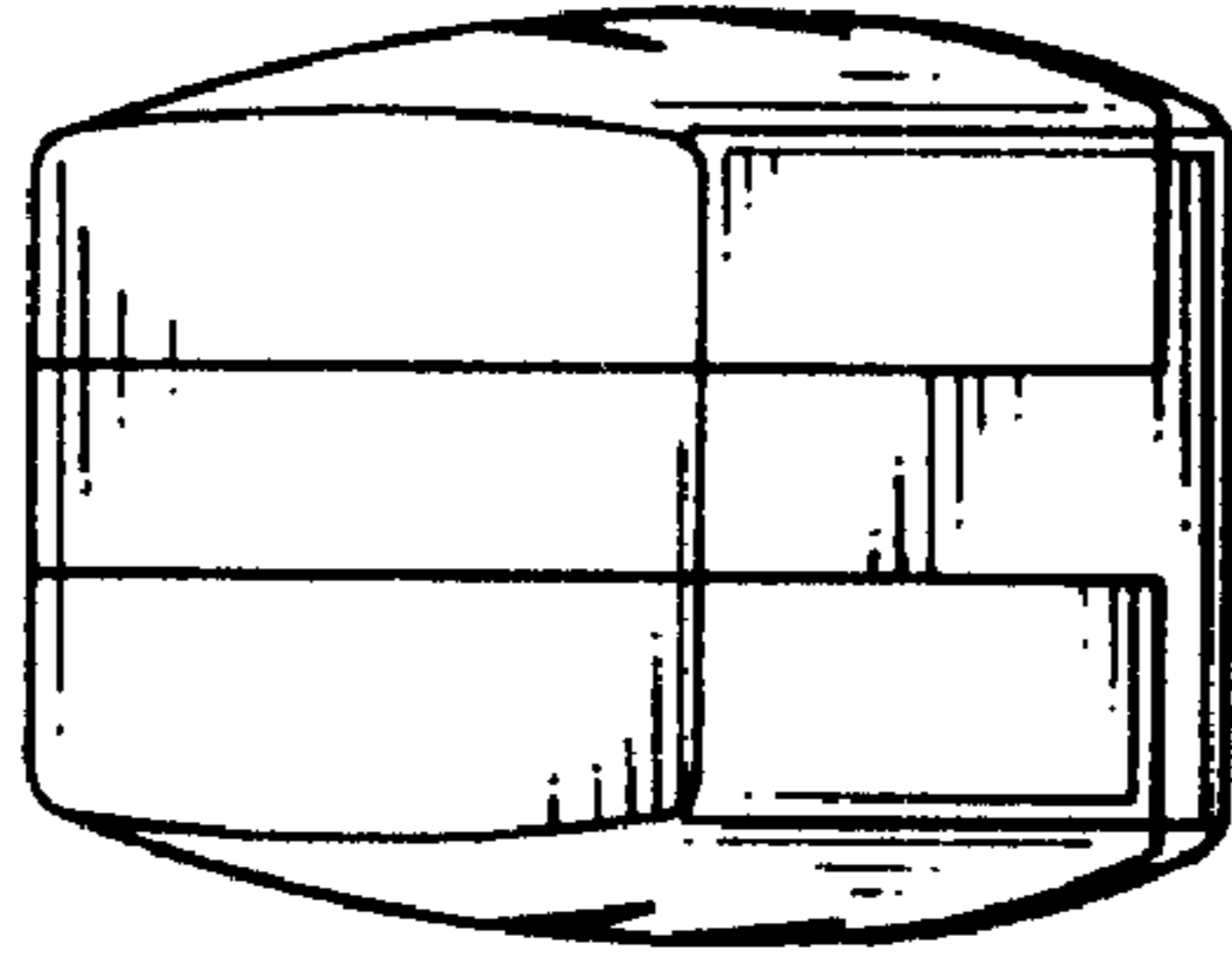


FIG. 6

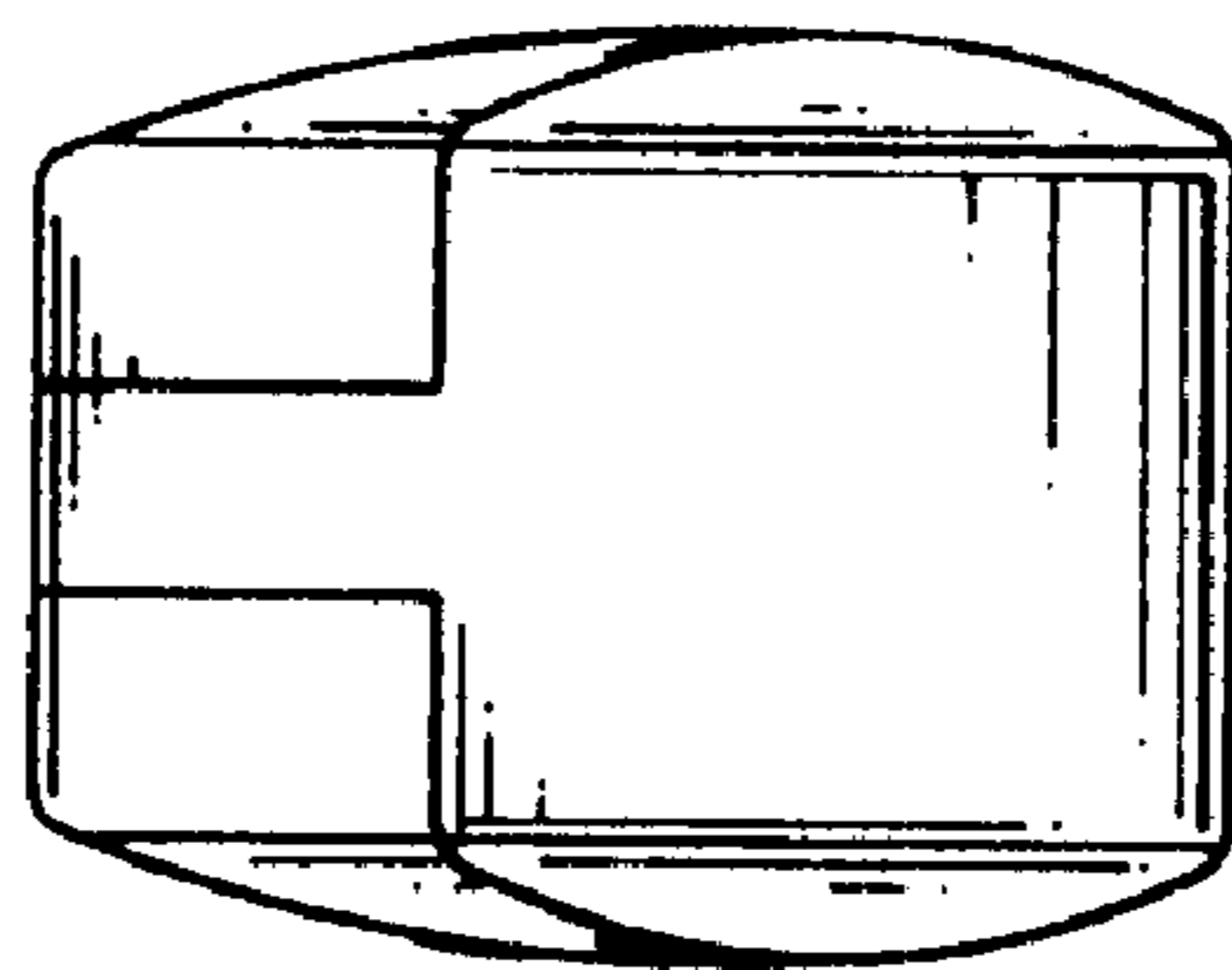


FIG. 7

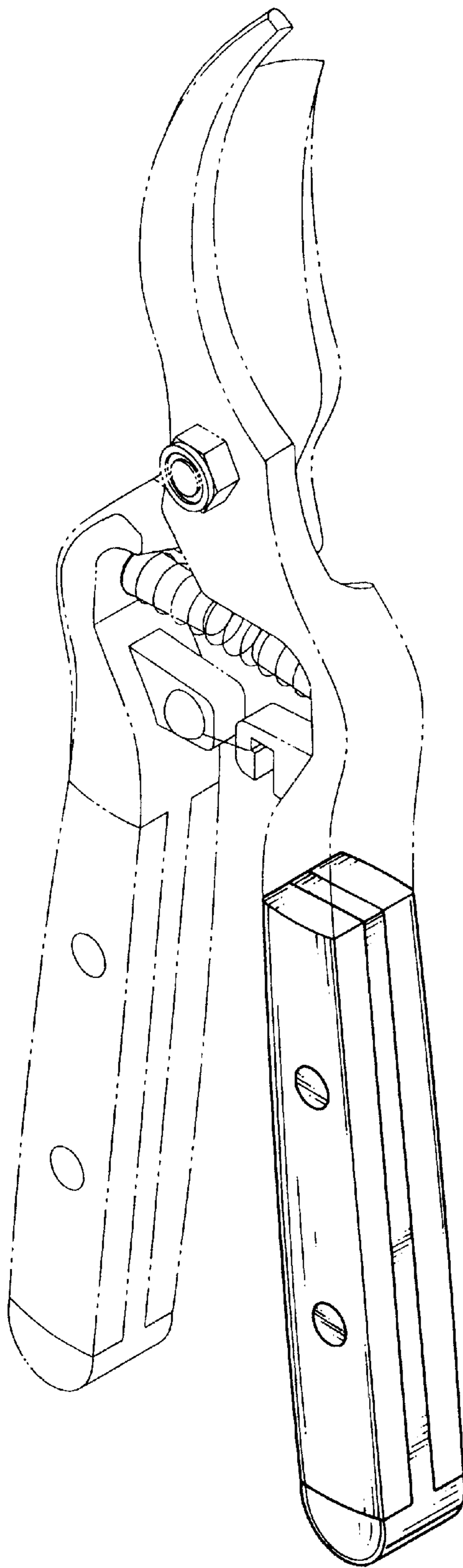


FIG. 8