



US00D470384S

(12) **United States Design Patent**
Makedonski

(10) **Patent No.:** **US D470,384 S**

(45) **Date of Patent:** **** Feb. 18, 2003**

(54) **MULTIPURPOSE POCKET TOOL**

(75) **Inventor:** **Manfred Makedonski, Tangstedt (DE)**

(73) **Assignee:** **Troika Design, Inc., Longwood, FL (US)**

(**) **Term:** **14 Years**

(21) **Appl. No.:** **29/162,885**

(22) **Filed:** **Jun. 21, 2002**

(51) **LOC (7) Cl.** **08-02**

(52) **U.S. Cl.** **D8/105; D8/81; D8/55**

(58) **Field of Search** **D8/105, 52, 54-56, D8/107, 81, 98, 99; D27/142; 7/143, 144, 146, 147, 148, 158, 167, 168, 118; 81/415-419, 489**

(56) **References Cited**

U.S. PATENT DOCUMENTS

299,488	A	*	5/1884	Morrell	7/143
541,076	A	*	6/1895	Davis	254/28
907,147	A	*	12/1908	Hendrickson	7/130
1,598,420	A	*	8/1926	Brossett	30/154
4,238,862	A	*	12/1980	Leatherman	7/128
4,364,174	A	*	12/1982	De Asis	30/153

D414,097	S	*	9/1999	Berg et al.	D8/105
D419,050	S	*	1/2000	Lin	D8/105
D463,239	S	*	9/2002	Makedonski	D8/105

* cited by examiner

Primary Examiner—Alan P. Douglas

Assistant Examiner—Clare E. Heflin

(74) *Attorney, Agent, or Firm*—James H. Beusse; Beusse Brownlee Bowdoin & Wolter, P.A.

(57) **CLAIM**

The ornamental design for a multipurpose pocket tool, as shown and described.

DESCRIPTION

FIG. 1 is a perspective view of my ornamental design for a multipurpose pocket tool in a folded form;

FIG. 2 is a perspective view of the design of FIG. 1 in an unfolded form;

FIG. 3 is a right side elevation view of the design of FIG. 1;

FIG. 4 is a left side elevation view of the design of FIG. 1;

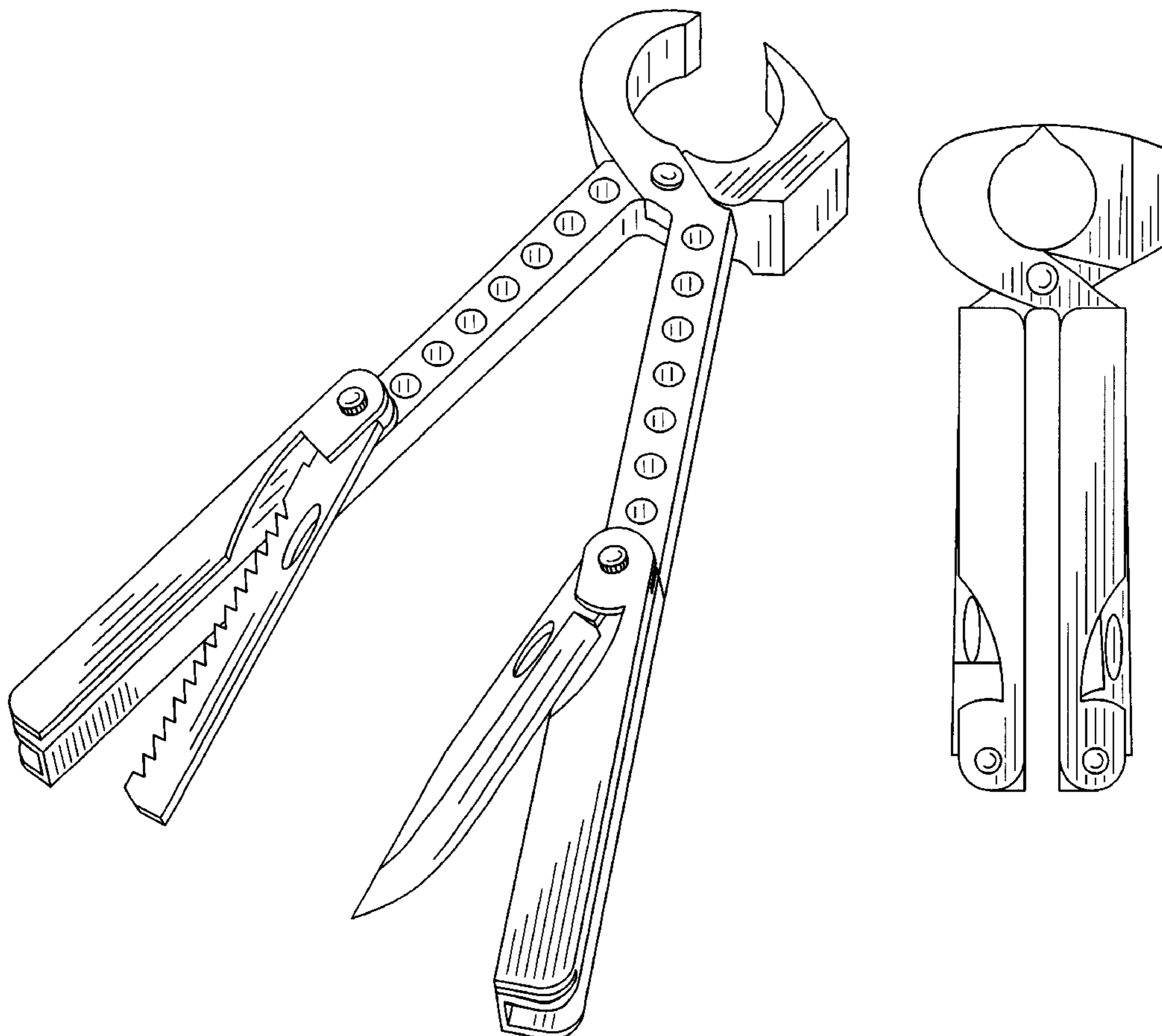
FIG. 5 is a front side edge view of the design of FIG. 1;

FIG. 6 is a rear side edge view of the design of FIG. 1;

FIG. 7 is a top plan view of the design of FIG. 1; and,

FIG. 8 is a bottom plan view of the design of FIG. 1.

1 Claim, 2 Drawing Sheets



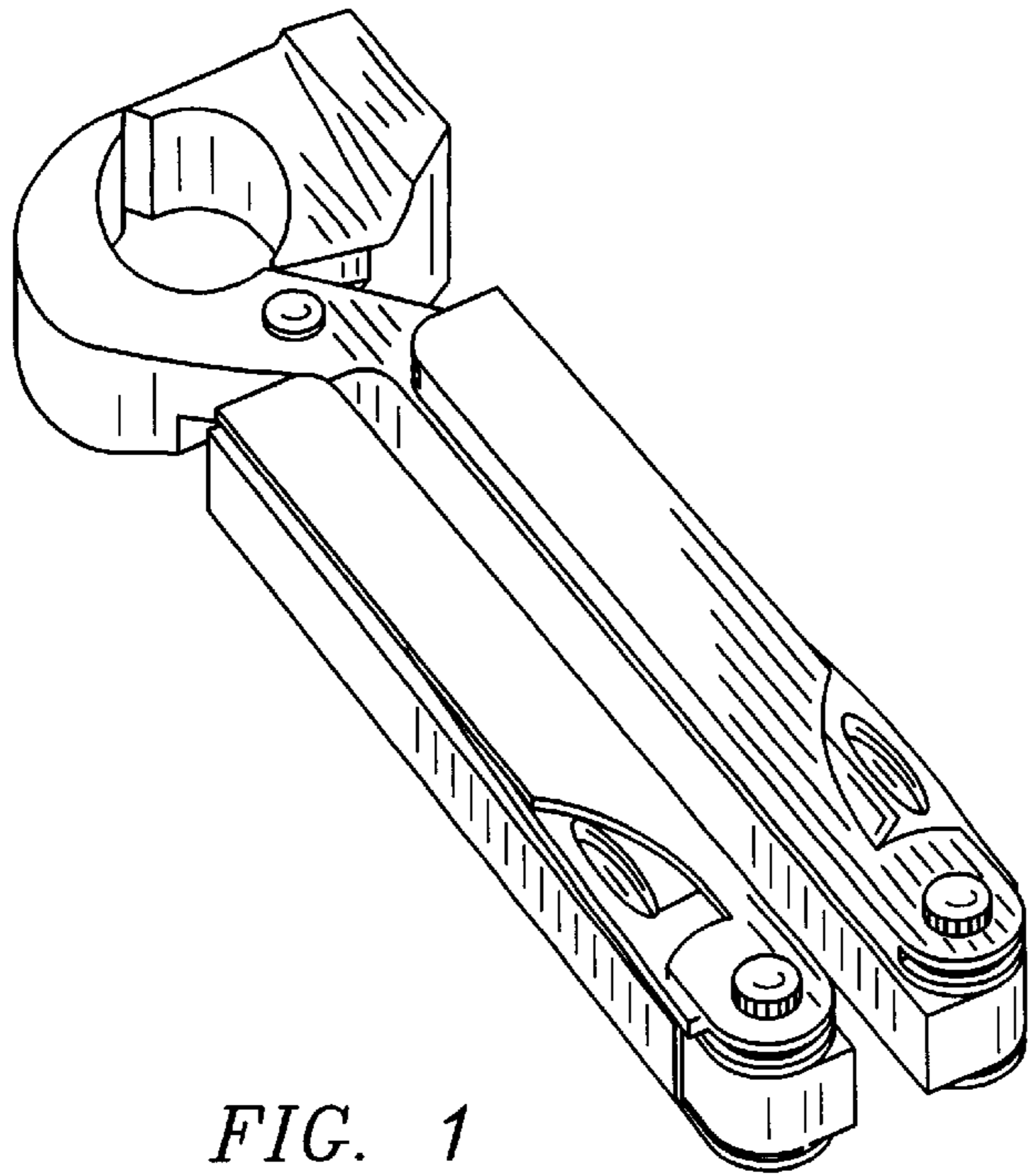


FIG. 1

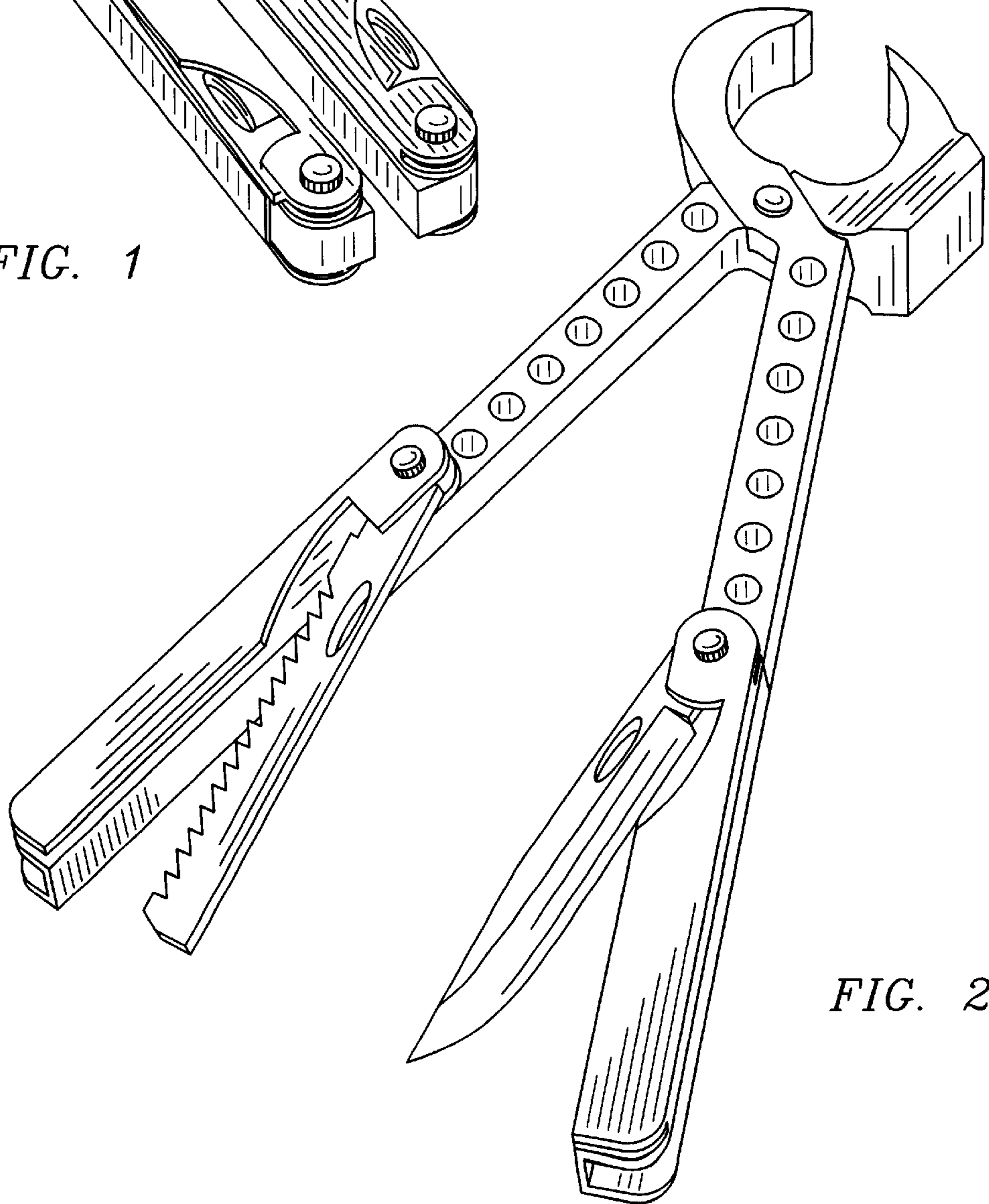


FIG. 2

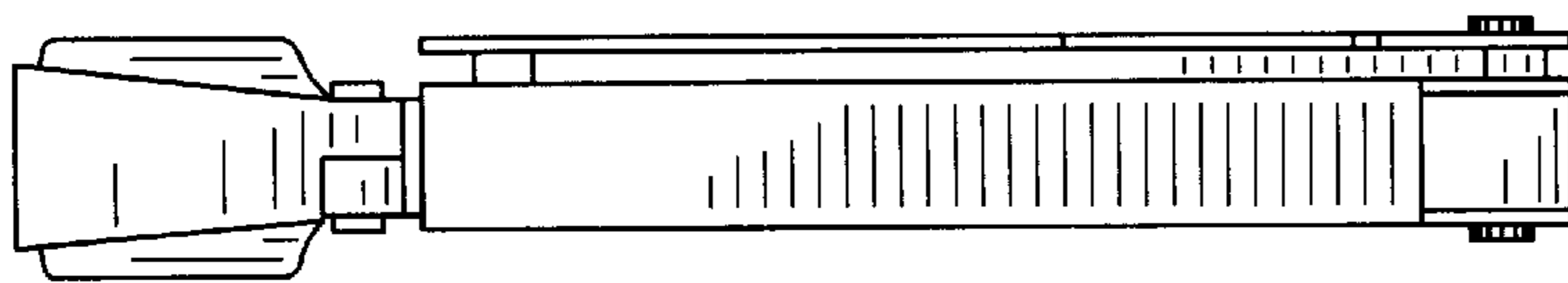


FIG. 5

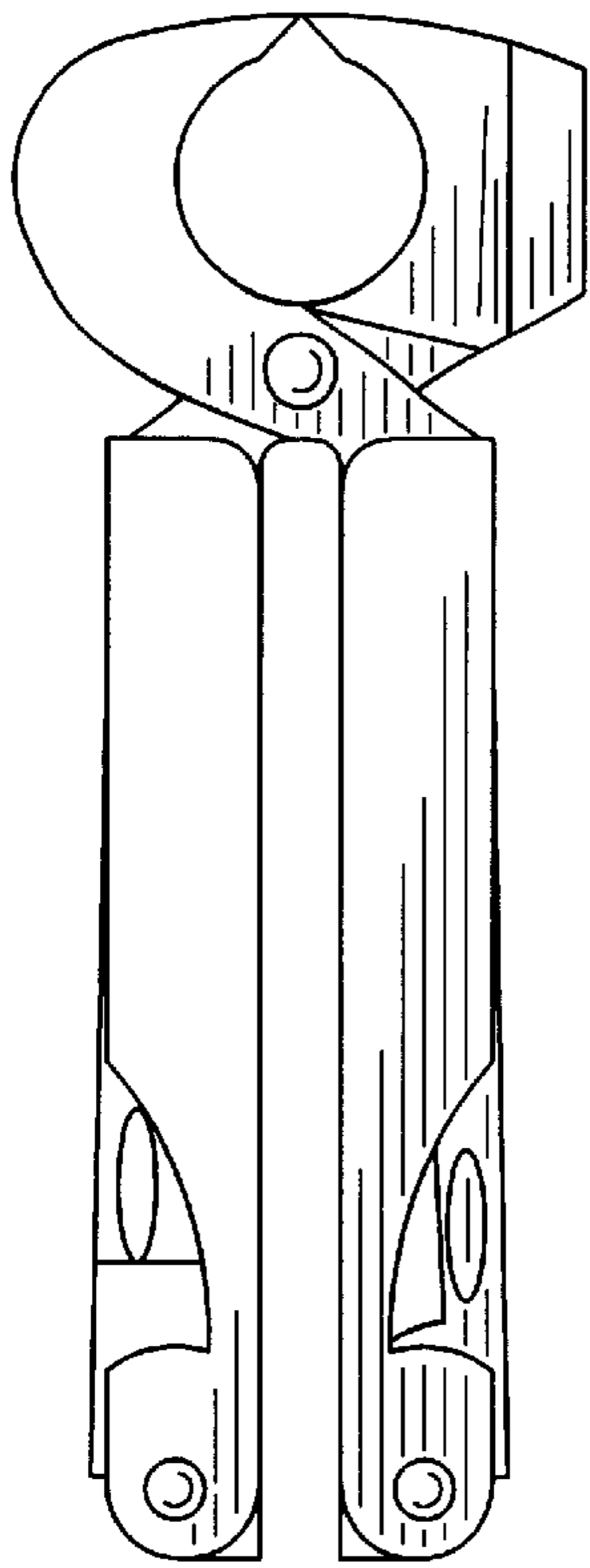


FIG. 3

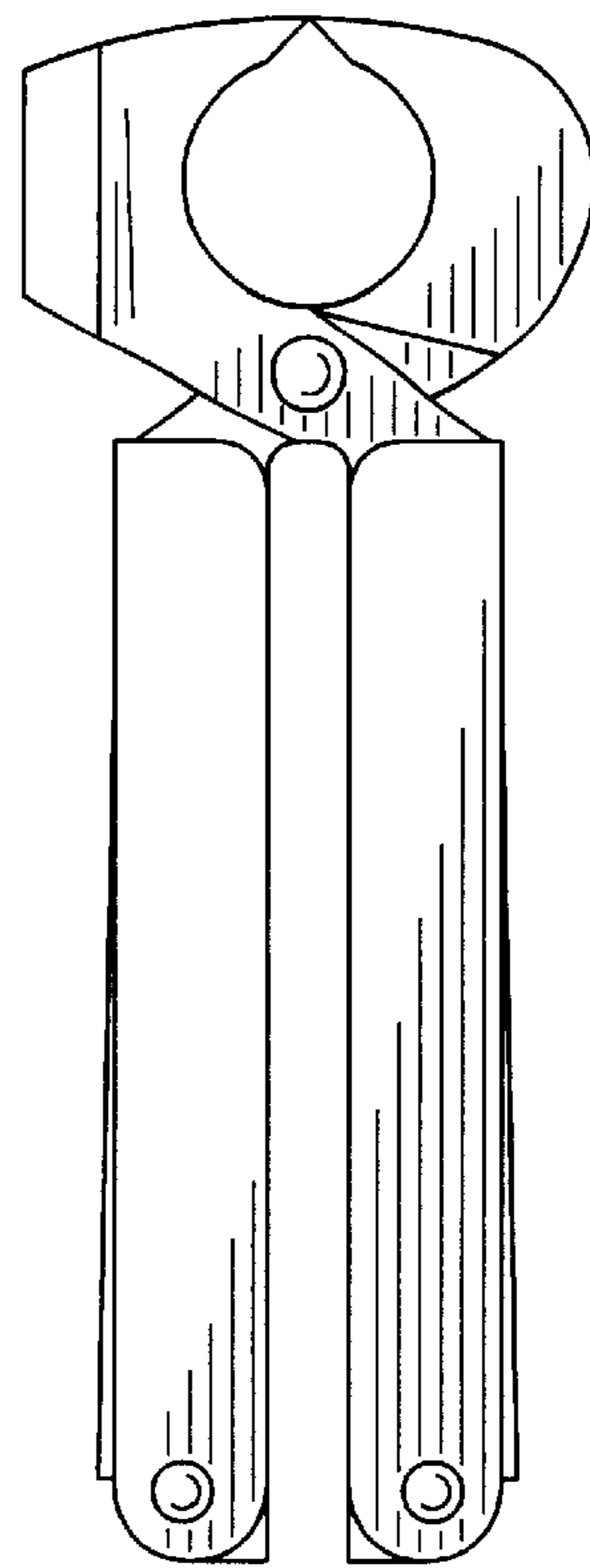


FIG. 4

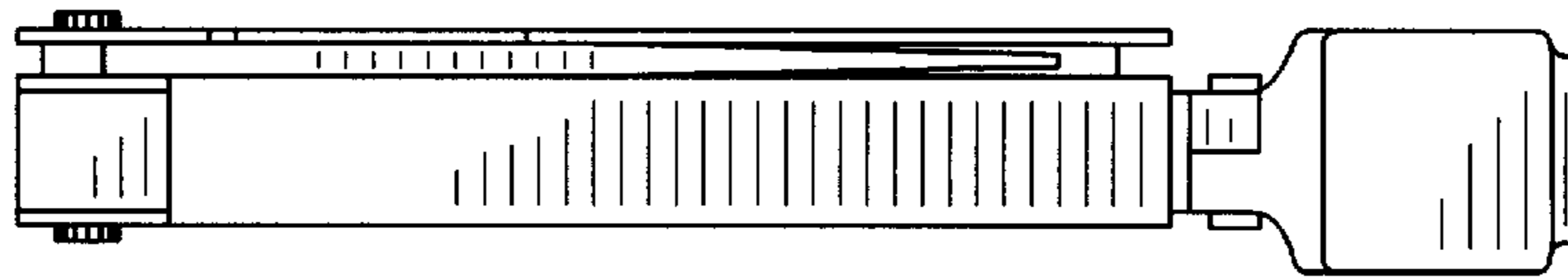


FIG. 6

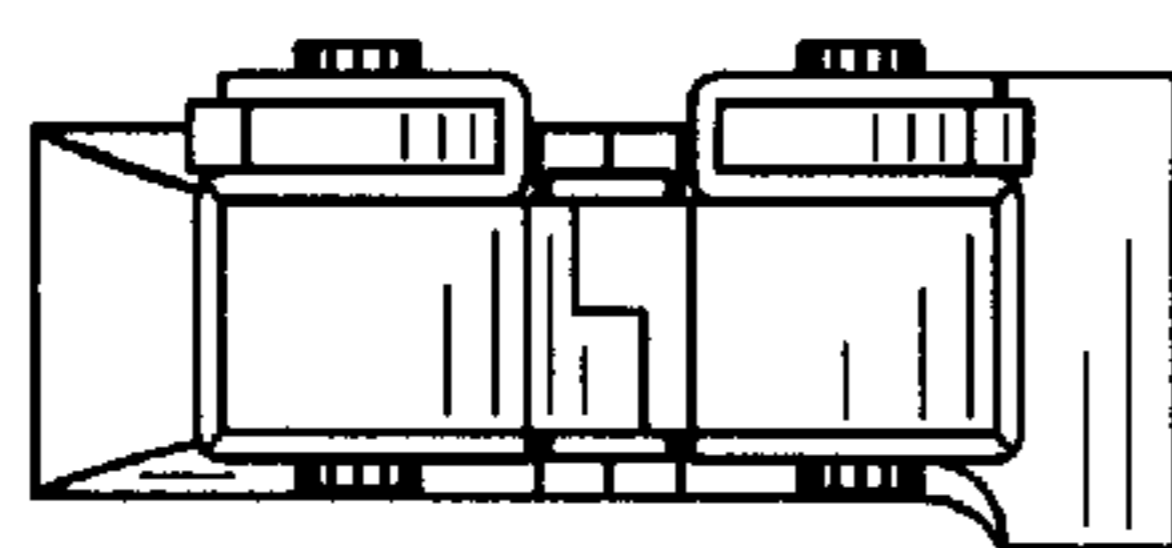


FIG. 7

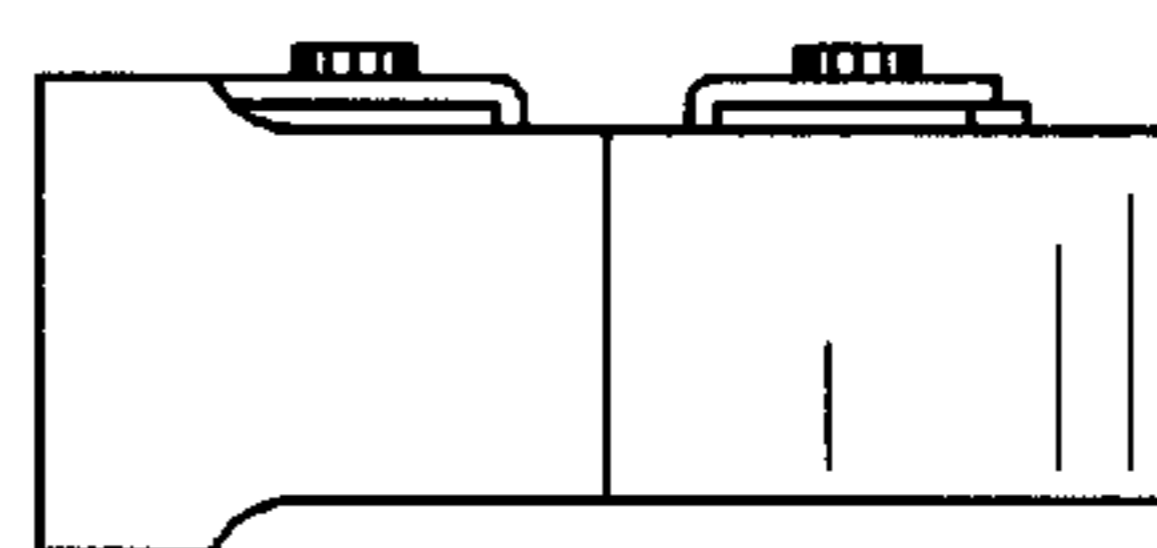


FIG. 8