



US00D470383S

(12) **United States Design Patent**
Lammers et al.

(10) **Patent No.: US D470,383 S**

(45) **Date of Patent: ** Feb. 18, 2003**

(54) **PORTABLE HANDHELD POWERED
ENVELOPE OPENER WITH GRIP HANDLE**

D314,902 S * 2/1991 Huang D8/102
5,001,833 A 3/1991 Haage
5,127,161 A 7/1992 Ikeda
D378,834 S 4/1997 Yuen

(75) Inventors: **Anthony J. Lammers**, Gates Mills, OH (US); **John R. Nottingham**, Bratenahl, OH (US); **John W. Spirk**, Gates Mills, OH (US); **Jeffrey Scott Plantz**, Medina, OH (US); **Patrick W. Brown**, Auburn, OH (US)

OTHER PUBLICATIONS

Guernsey Office Products Catalog, c1999, see circled letter opener, item D, p. 705.*
Premier Letter Opener, Model 1624, manufactured by Premier/Martin Yale Industries, Inc., p. 8 (date unknown).

(73) Assignee: **InnoDesk Business Tools, Inc.**, Warrensville Heights, OH (US)

* cited by examiner

(**) Term: **14 Years**

Primary Examiner—Martie K. Holtje
(74) *Attorney, Agent, or Firm*—DKW Law Group, PC; William P. Smith

(21) Appl. No.: **29/164,556**

(22) Filed: **Jul. 26, 2002**

(57) **CLAIM**

(51) **LOC (7) Cl.** **08-03**

The ornamental design for a portable handheld powered envelope opener with grip handle, as shown and described.

(52) **U.S. Cl.** **D8/102**

DESCRIPTION

(58) **Field of Search** D8/98, 102, 103, D8/104, 105; 30/2, 278, 286, 289, 292, 293, 294, 347, DIG. 3, 263

FIG. 1 is a perspective view of the portable handheld powered envelope opener with grip handle;
FIG. 2 is a right side view of the portable handheld powered envelope opener with grip handle, the opposite side being a mirror image thereof;
FIG. 3 is a top plan view thereof;
FIG. 4 is a bottom plan view thereof;
FIG. 5 is a front elevational view thereof; and,
FIG. 6 is a rear elevational view thereof.

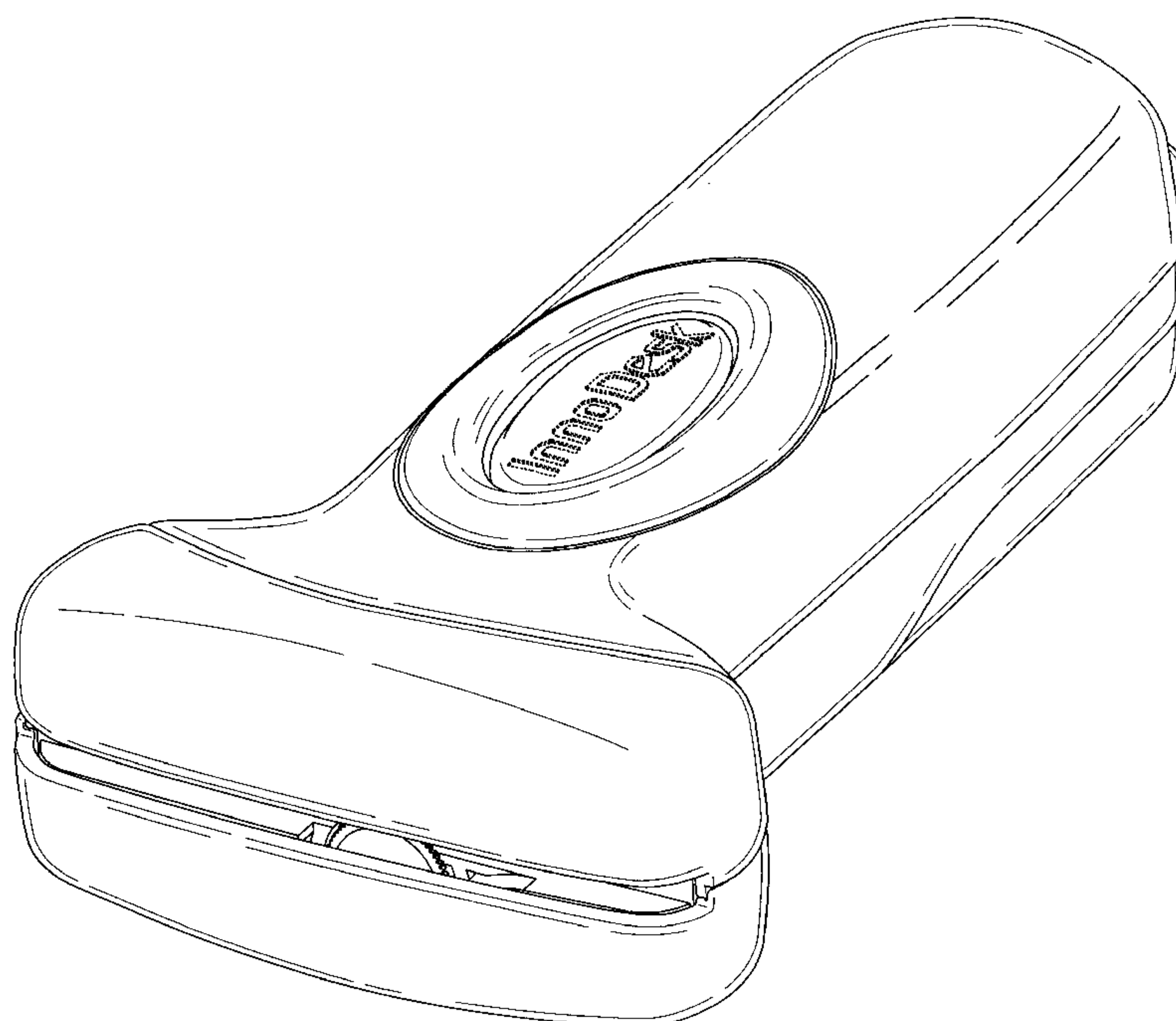
(56) **References Cited**

U.S. PATENT DOCUMENTS

693,660 A * 2/1902 Lamont 30/263
1,197,788 A 9/1916 Bircher
1,740,018 A * 12/1929 Jensen 30/294
2,255,196 A * 9/1941 Taylor 30/289 X
2,656,889 A 10/1953 Kaplan
3,597,843 A 8/1971 Kettlestrings
3,639,983 A * 2/1972 Knipfing 30/294
4,389,780 A 6/1983 Ostroski et al.
4,741,105 A 5/1988 Wong
D304,131 S * 10/1989 Tanigami D8/102

The indicia depicted by means of broken lines in FIGS. 1 and 3 has been shown for illustrative purposes only and forms no part of the claimed design.

1 Claim, 3 Drawing Sheets



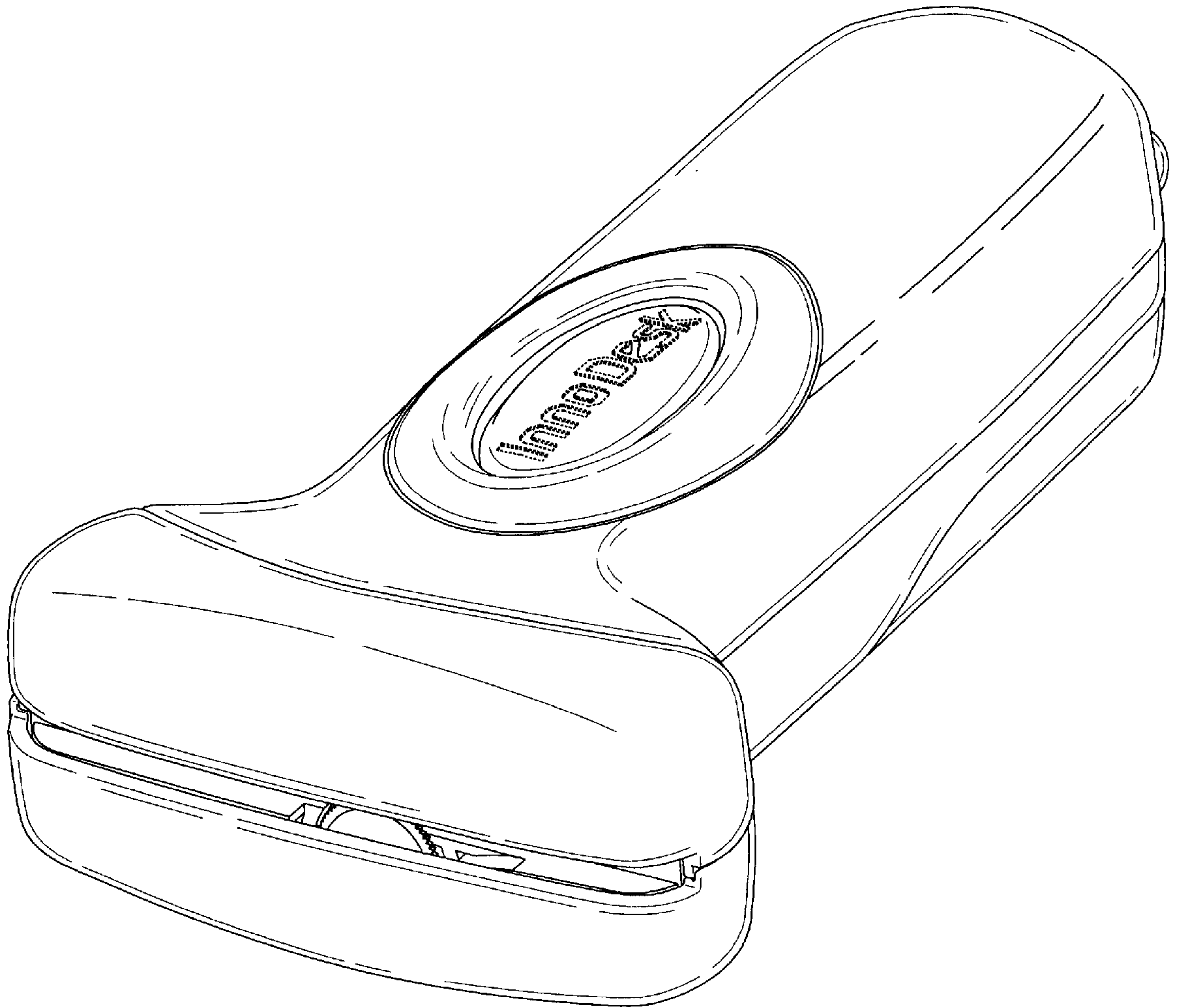


Fig. 1

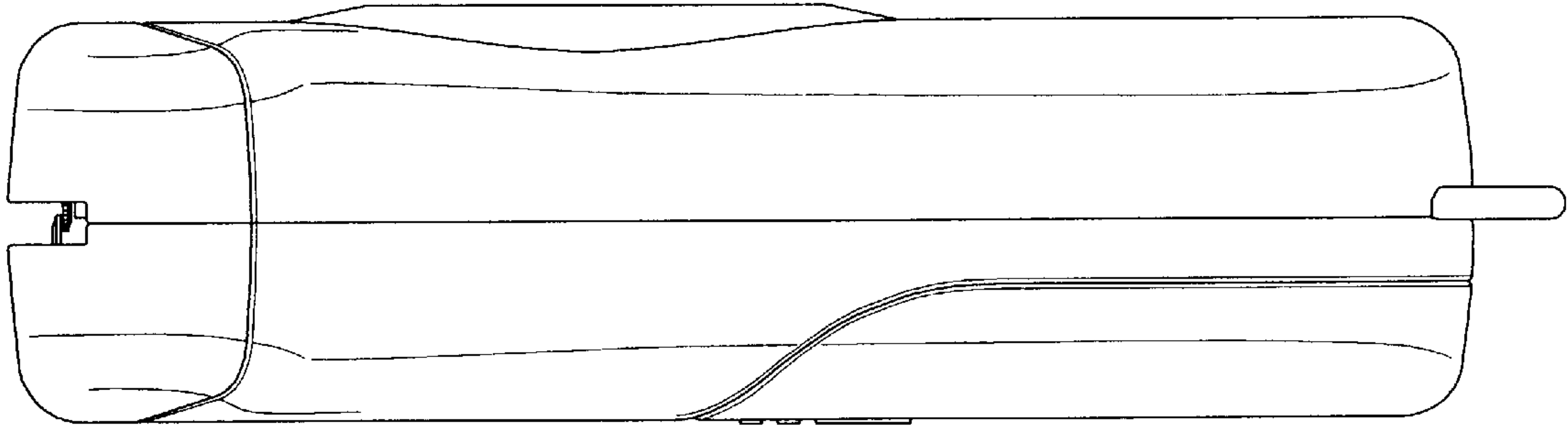


Fig. 2

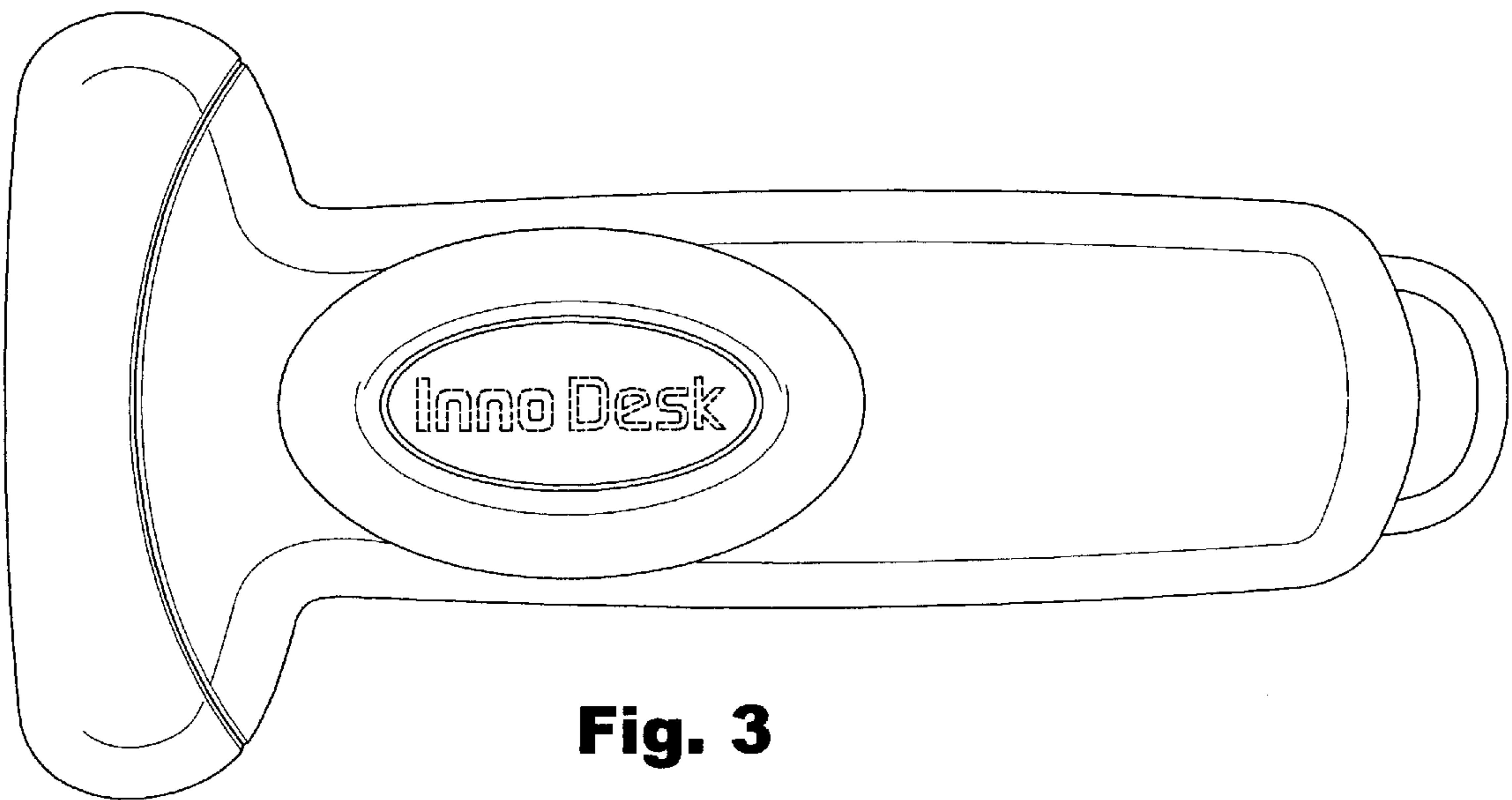


Fig. 3

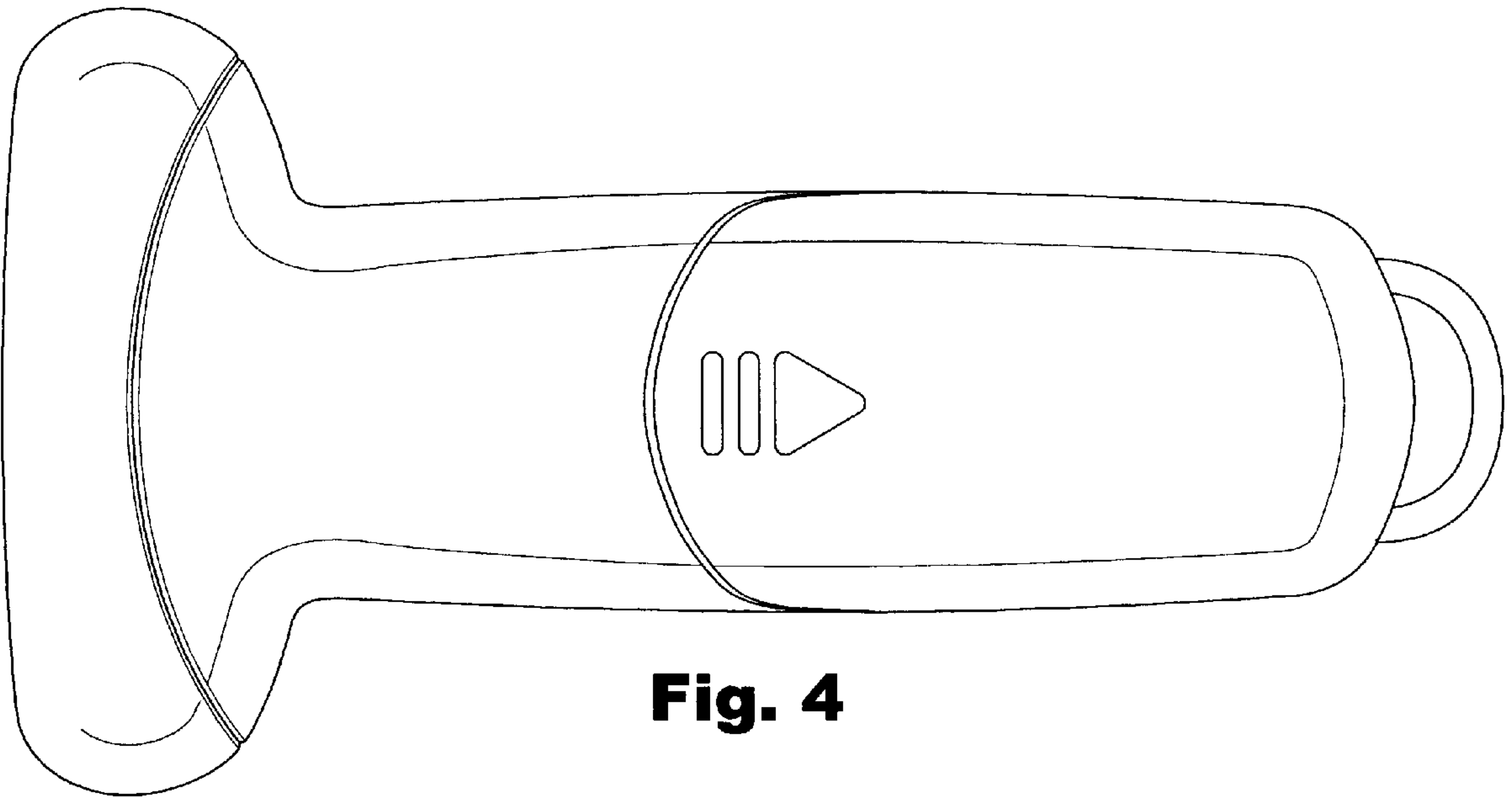


Fig. 4

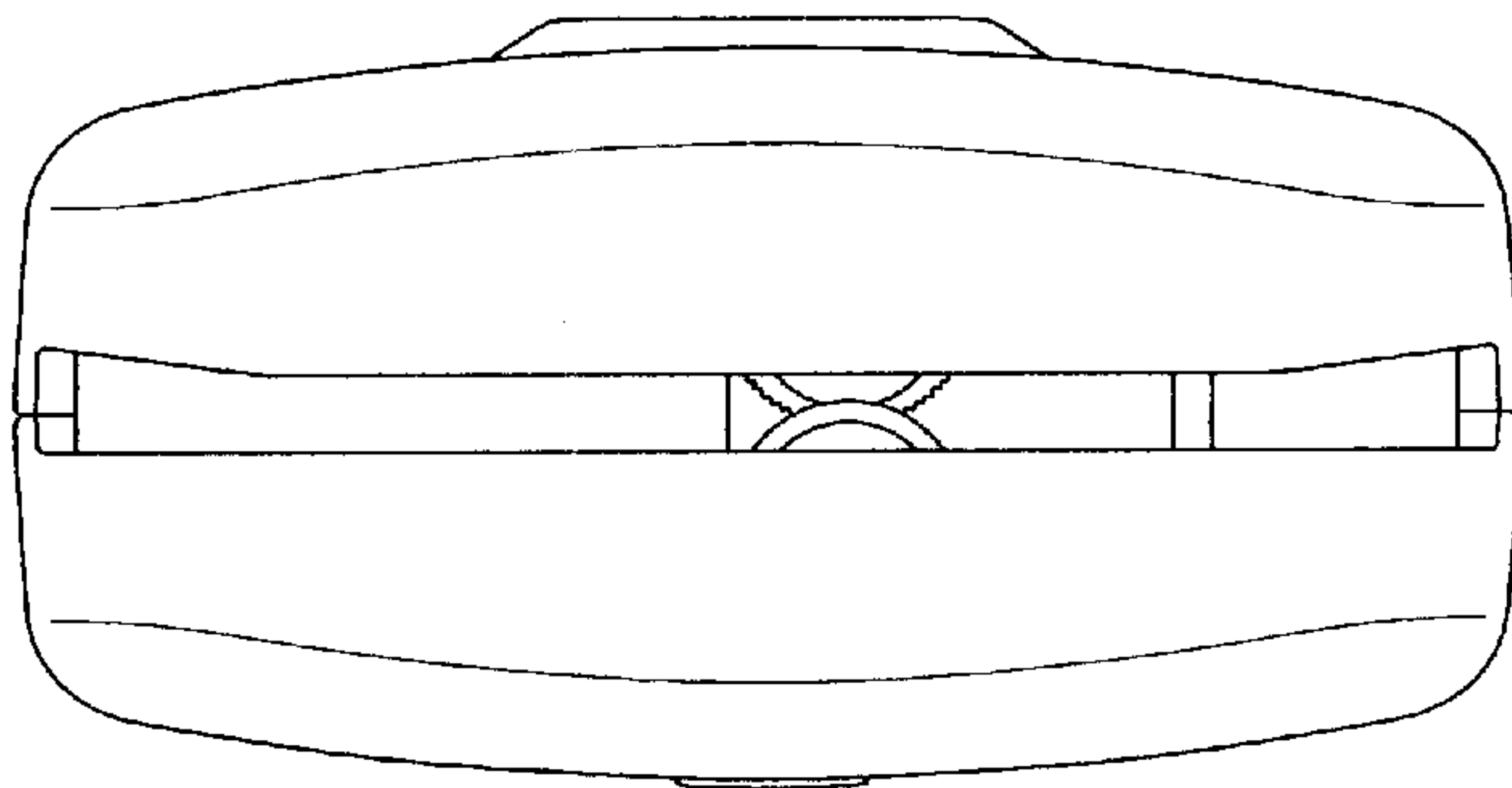


Fig. 5

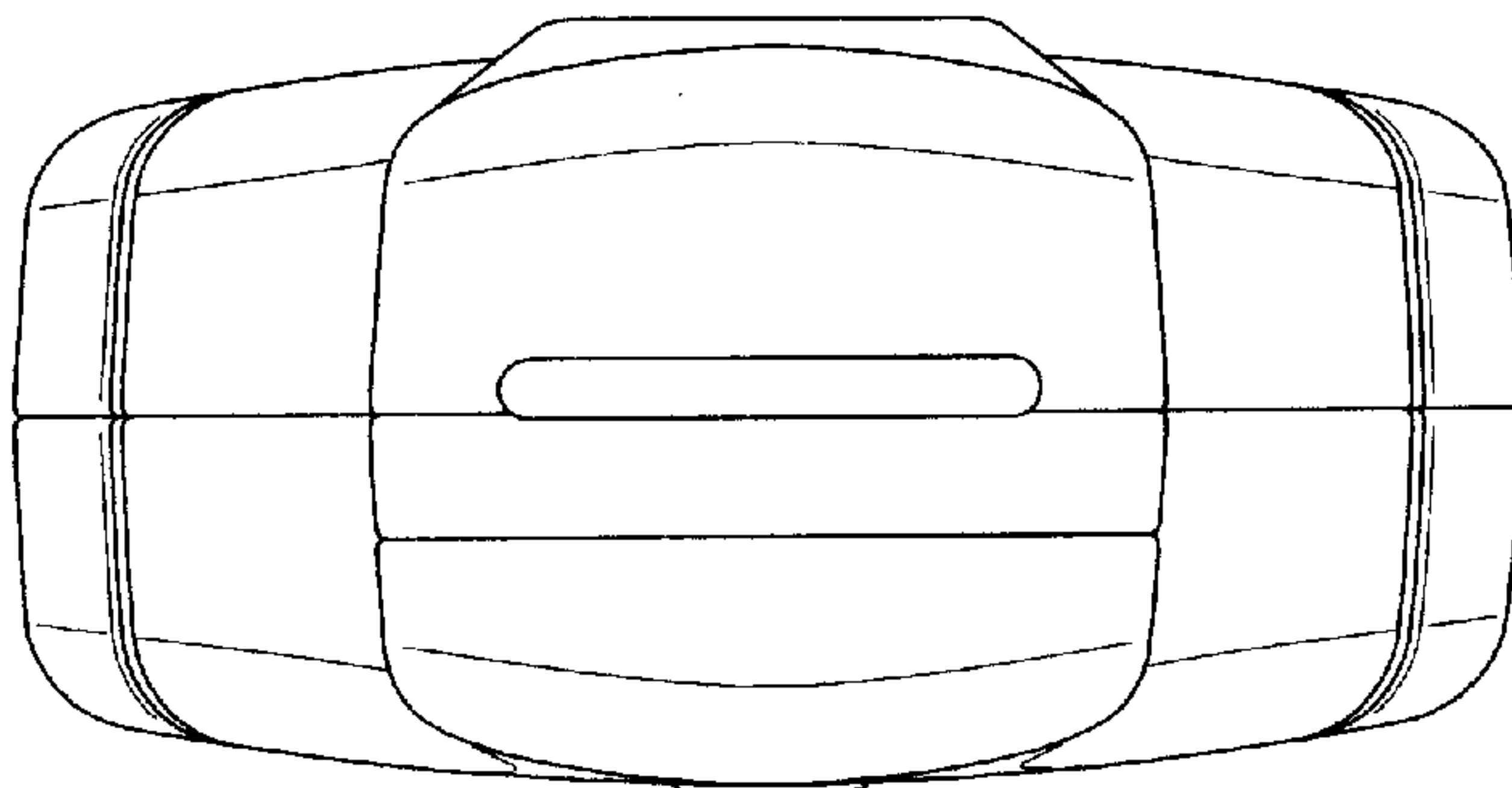


Fig. 6