



US00D470382S

(12) **United States Design Patent**
Kurz

(10) **Patent No.:** **US D470,382 S**

(45) **Date of Patent:** **** Feb. 18, 2003**

(54) **KNIFE SHARPENER**

(75) Inventor: **Dorian Kurz**, Solingen (DE)

(73) Assignee: **Zwilling J.A. Henckels AG** (DE)

(**) Term: **14 Years**

(21) Appl. No.: **29/157,816**

(22) Filed: **Mar. 27, 2002**

(30) **Foreign Application Priority Data**

Oct. 8, 2001 (XH) DM/057 493

(51) **LOC (7) Cl.** **08-05**

(52) **U.S. Cl.** **D8/93; D8/91**

(58) **Field of Search** D8/90, 91, 92,
D8/93; 76/82, 86, 88; 451/540, 548, 549,
552, 555, 557, 558

(56) **References Cited**

U.S. PATENT DOCUMENTS

- D309,415 S * 7/1990 Shimizu D8/93
- D323,450 S * 1/1992 Shimizu D8/93
- D357,395 S * 4/1995 Friel D8/93

- D368,217 S * 3/1996 Friel D8/93
- D388,304 S * 12/1997 Friel D8/93
- D392,869 S * 3/1998 Rieser D8/93

* cited by examiner

Primary Examiner—Philip S. Hyder

(74) *Attorney, Agent, or Firm*—Howrey Simon Arnold & White, LLP; Michael J. Bell

(57) **CLAIM**

The ornamental design for a knife sharpener, as shown and described.

DESCRIPTION

FIG. 1 is a perspective view of a knife sharpener embodying my design;

FIG. 2 is a front elevational view thereof; the rear elevational view being a mirror image thereof;

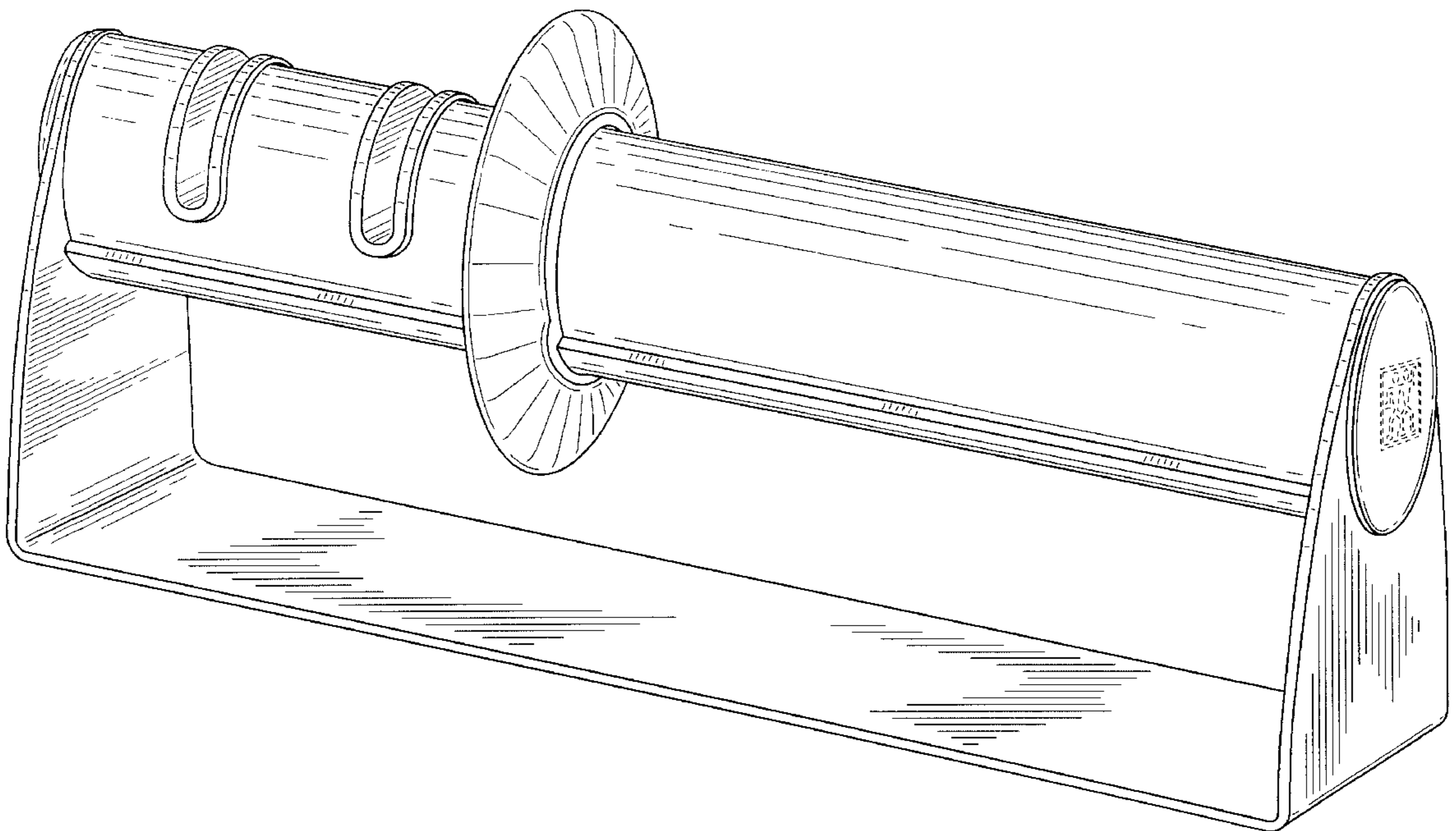
FIG. 3 is a top plan view thereof;

FIG. 4 is a bottom plan view thereof; and,

FIG. 5 is a right elevational view thereof, the left elevational view being a mirror image thereof.

The dashed lines in FIGS. 1 and 5 illustrate environment only and form no part of the claimed design.

1 Claim, 4 Drawing Sheets



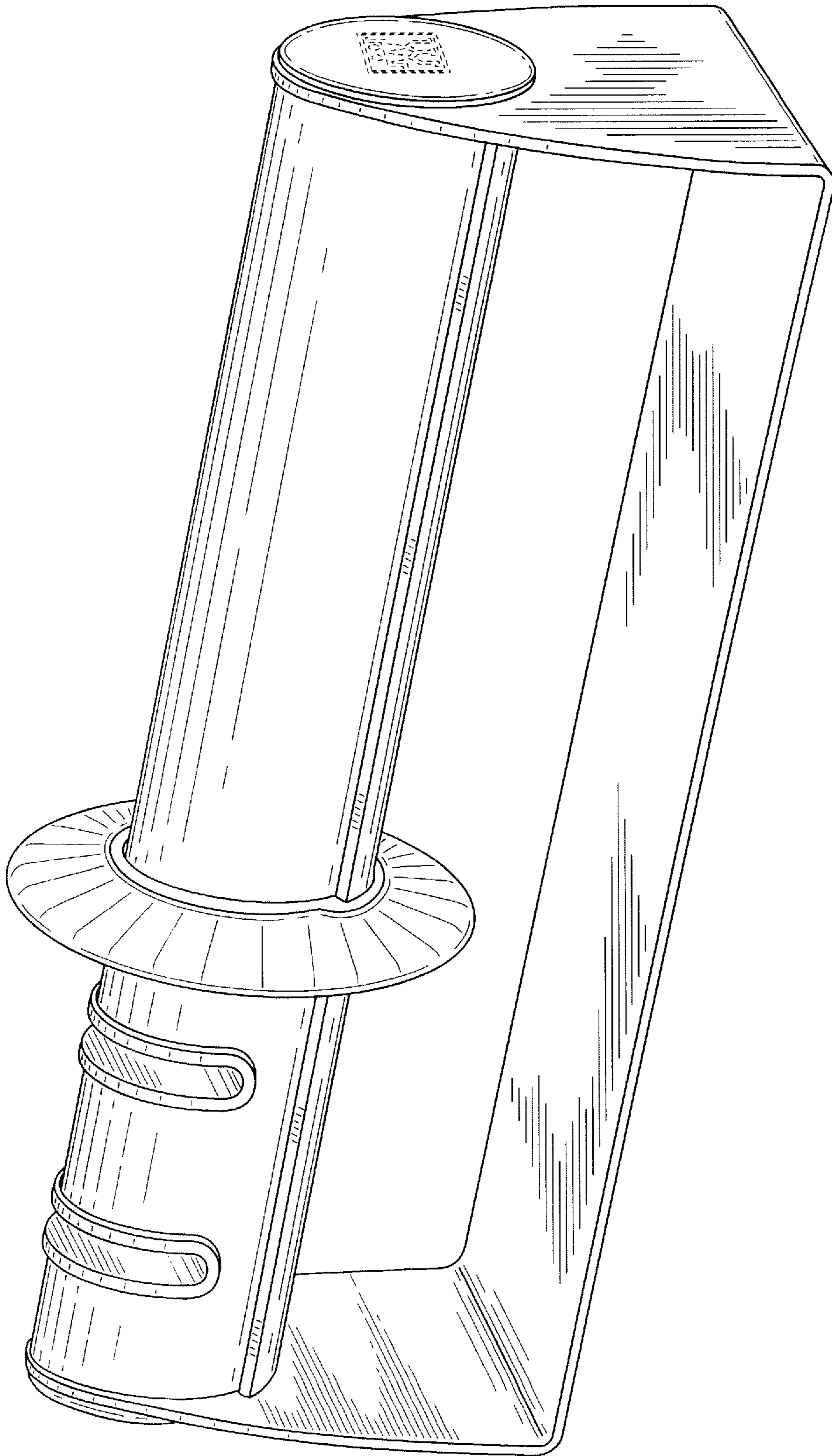


FIG. 1

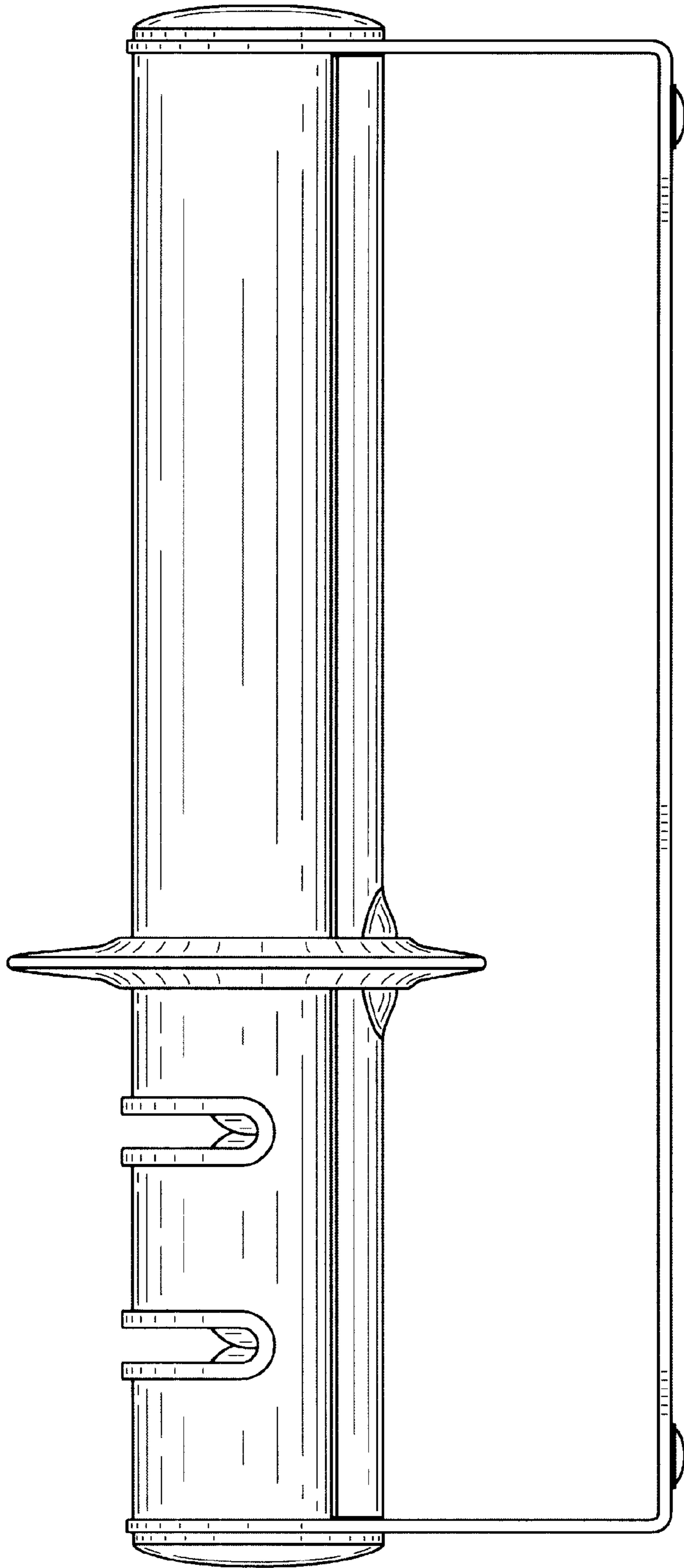


FIG. 2

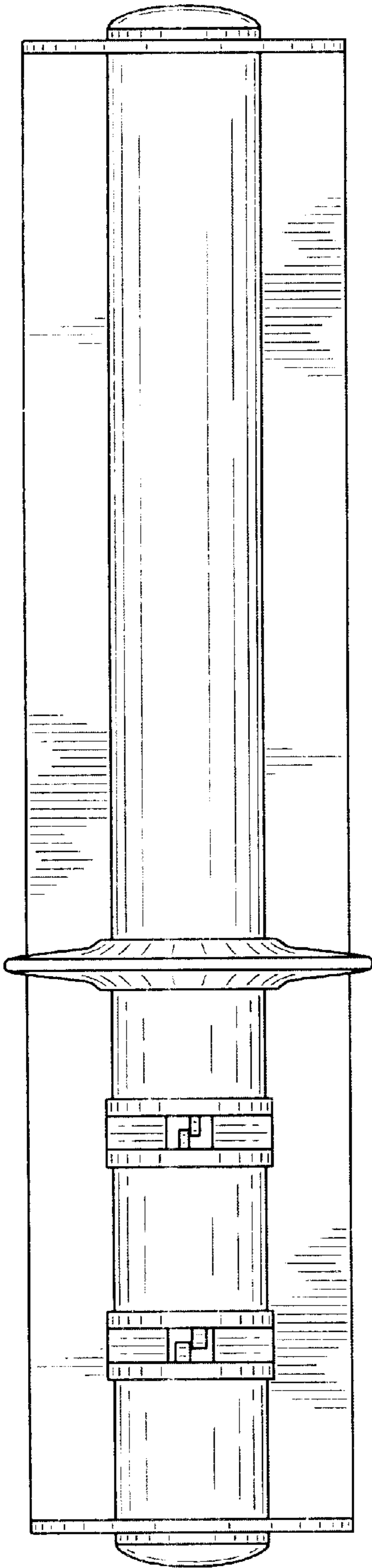


FIG. 3

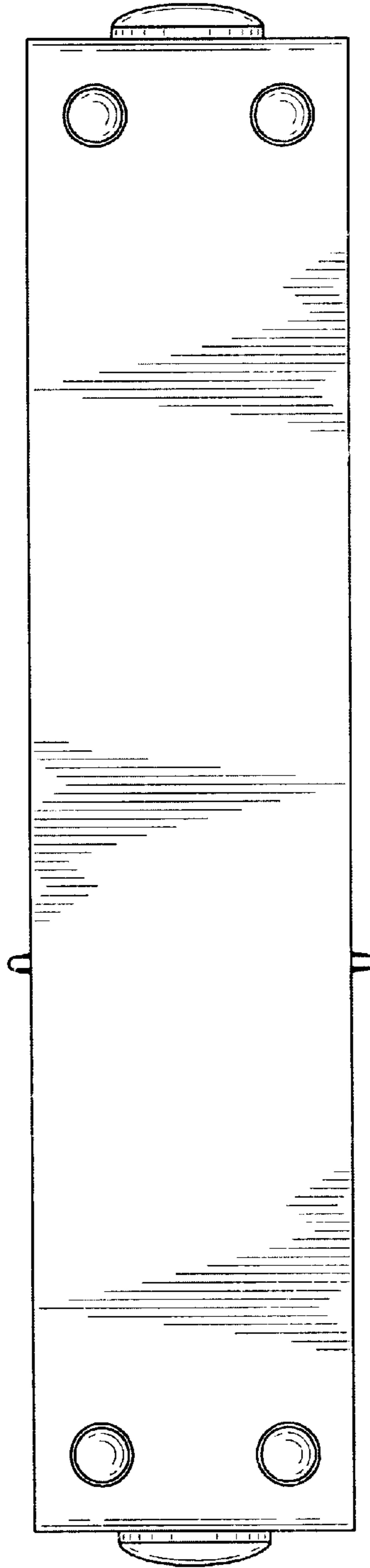


FIG. 4

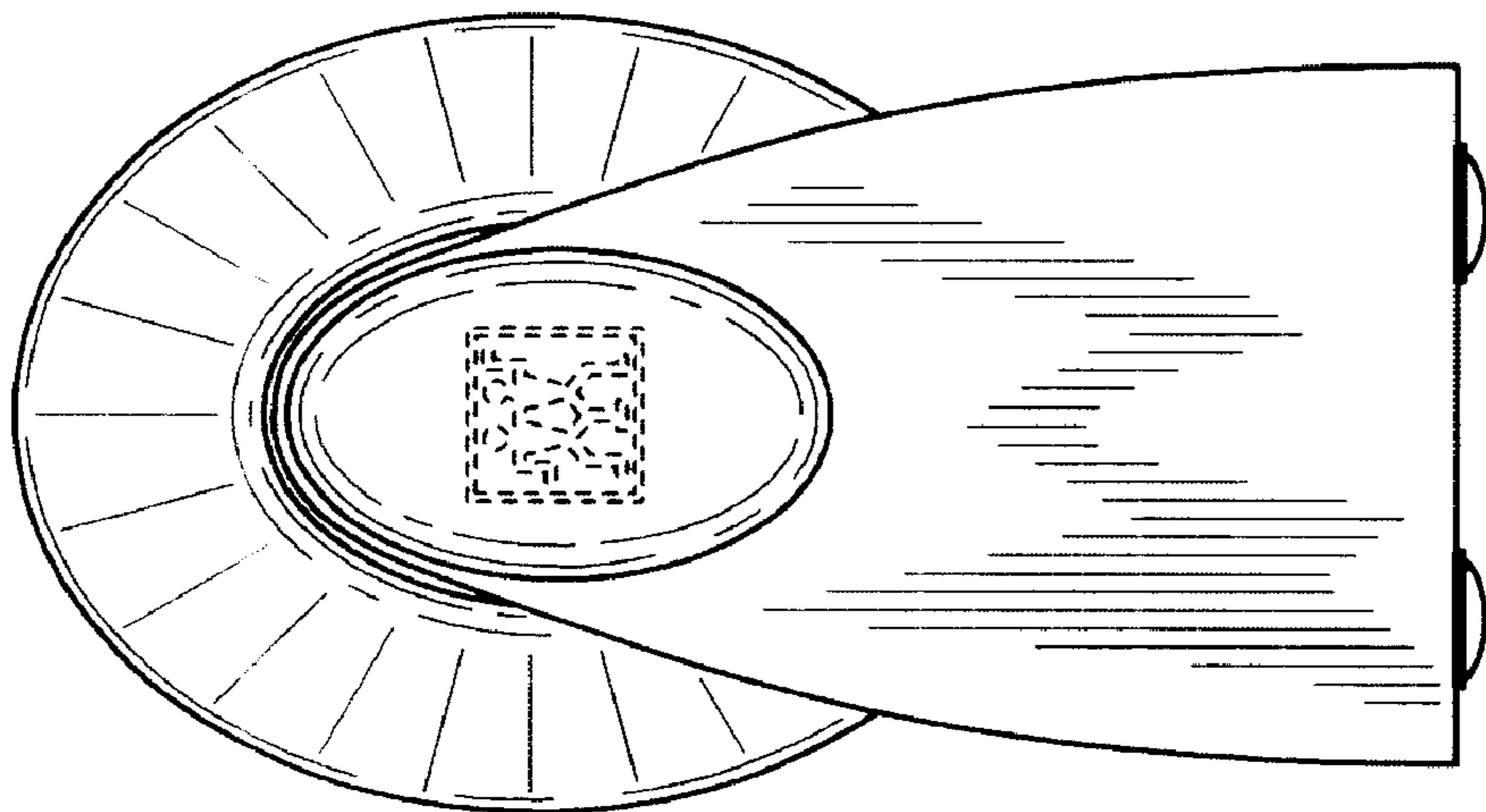


FIG. 5