



US00D470379S

(12) **United States Design Patent**
Andriolo

(10) **Patent No.:** **US D470,379 S**

(45) **Date of Patent:** **** Feb. 18, 2003**

(54) **SINGLE GEAR HAMMER DRILL POWER TOOL**

(75) **Inventor:** **Paolo Andriolo, Vicenza (IT)**

(73) **Assignee:** **Positec Power Tools (Europe) Ltd. (GB)**

(**) **Term:** **14 Years**

(21) **Appl. No.:** **29/157,316**

(22) **Filed:** **Mar. 15, 2002**

(30) **Foreign Application Priority Data**

Sep. 15, 2001 (GB) 2104779

(51) **LOC (7) Cl.** **08-01**

(52) **U.S. Cl.** **D8/68**

(58) **Field of Search** D8/61, 62, 63, D8/64, 65, 66, 67, 68, 69, 70; 81/57.11, 429, 464, 465, 466, 469, 489; 173/13, 169, 178, 213, 217; 227/8, 114, 120, 130, 136, 142; 310/50; 408/20, 124, 125, 234, 241 R; 451/358

(56) **References Cited**

U.S. PATENT DOCUMENTS

D218,086 S	*	7/1970	Rodstein	D8/68
D280,797 S	*	10/1985	Sakamoto et al.	D8/61
4,630,512 A	*	12/1986	Durr	81/429
4,689,534 A	*	8/1987	Gerber et al.	310/50
4,820,090 A	*	4/1989	Chen	408/241 R
D330,152 S	*	10/1992	Ogawa et al.	D8/68
D342,878 S	*	1/1994	Watanabe et al.	D8/68
D396,395 S	*	7/1998	Zurwelle	D8/68
D396,621 S	*	8/1998	Zurwelle	D8/68
D400,416 S	*	11/1998	Zurwelle	D8/68

D406,511 S	*	3/1999	Zurwelle	D8/68
D406,740 S	*	3/1999	Zurwelle	D8/68
D406,742 S	*	3/1999	Schoen et al.	D8/68
D426,125 S	*	6/2000	Hayakawa et al.	D8/61
D439,123 S	*	3/2001	Sakai et al.	D8/68
D441,268 S	*	5/2001	Heun	D8/68

OTHER PUBLICATIONS

Fastener drill, Model 654, Rockwell Professional Power Tools catalogue, p. 80.*

Scrugun screwdrivers, Black & Decker Industrial/Construction catalogue, p. 24.*

Drills, Skil Power Tools & Accessories catalogue, p. 84, c. 1995, received Aug. 15, 1995.*

Drills, DeWalt Tool catalogue, pp. 22-23, c. 1998.*

* cited by examiner

Primary Examiner—Doris V. Coles

Assistant Examiner—T. Chase Nelson

(74) *Attorney, Agent, or Firm*—Young & Basile, P.C.

(57) **CLAIM**

The ornamental design for a single gear hammer drill power tool, as shown and described.

DESCRIPTION

FIG. 1 is a perspective view showing my new design of a single gear hammer drill power tool;

FIG. 2 is a front elevational view of the single gear hammer drill power tool in FIG. 1;

FIG. 3 is a rear elevational view thereof;

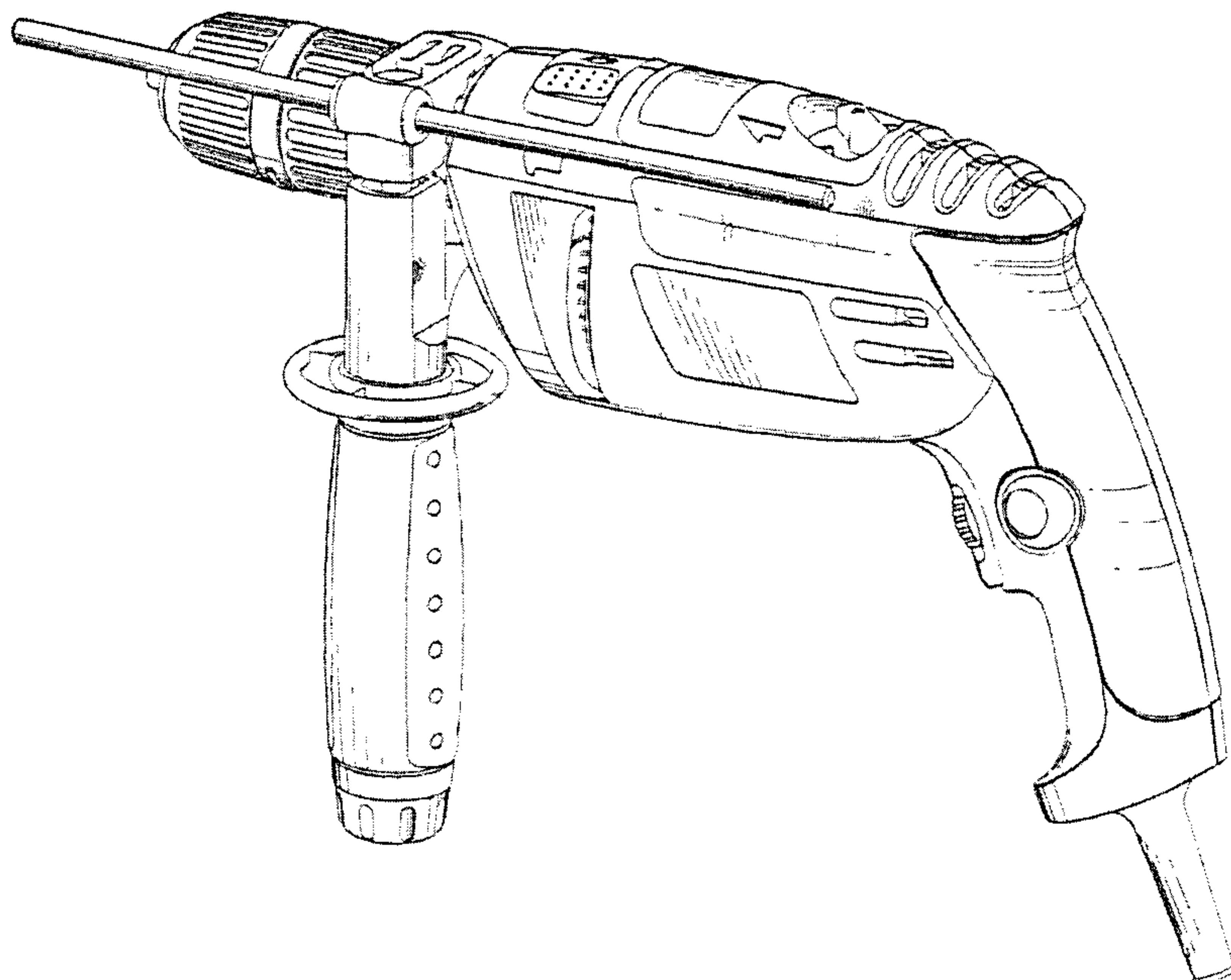
FIG. 4 is a right-side elevational view thereof;

FIG. 5 is a left-side elevational view thereof;

FIG. 6 is a top elevational view thereof; and,

FIG. 7 is a bottom elevational view thereof.

1 Claim, 7 Drawing Sheets



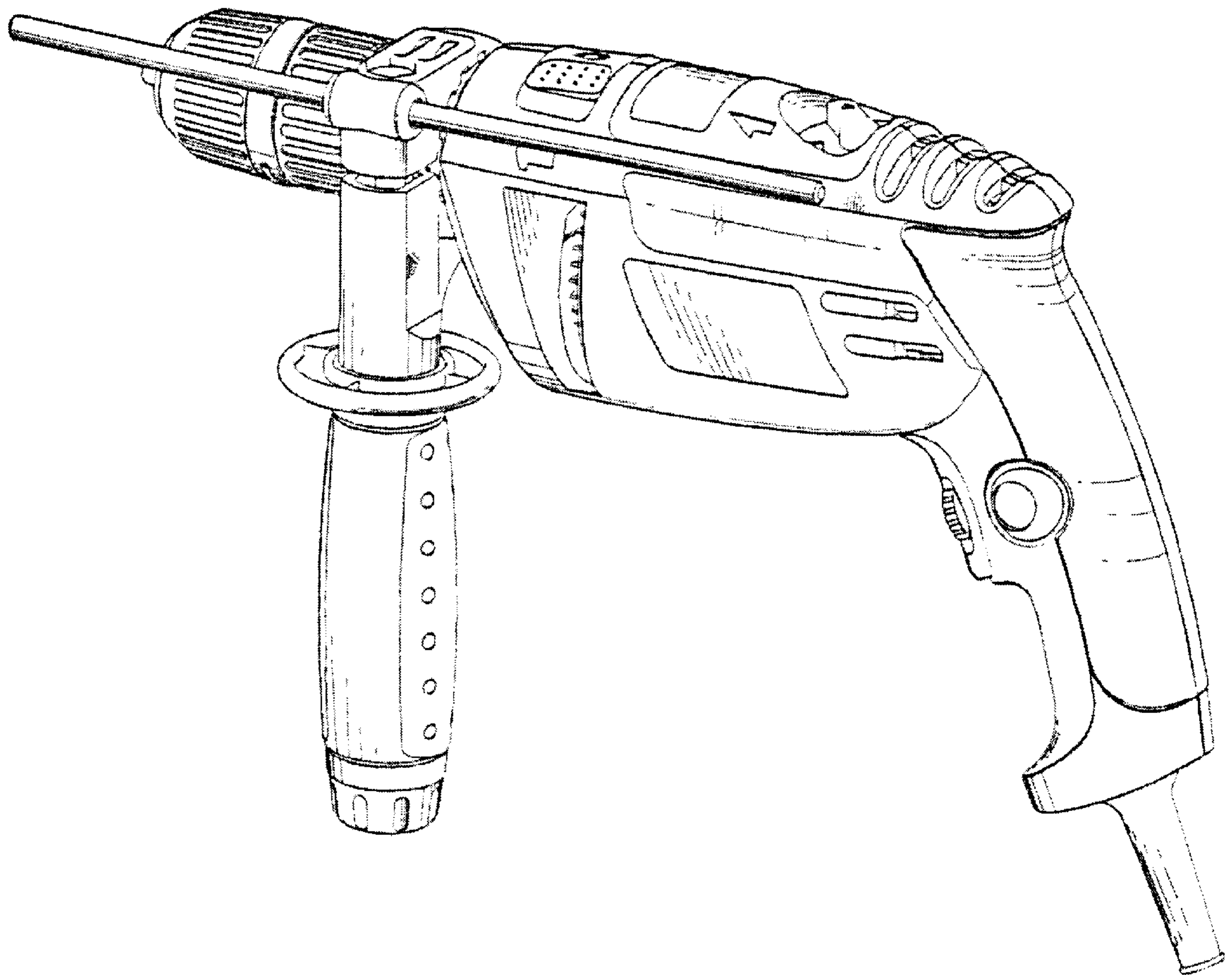


FIGURE 1

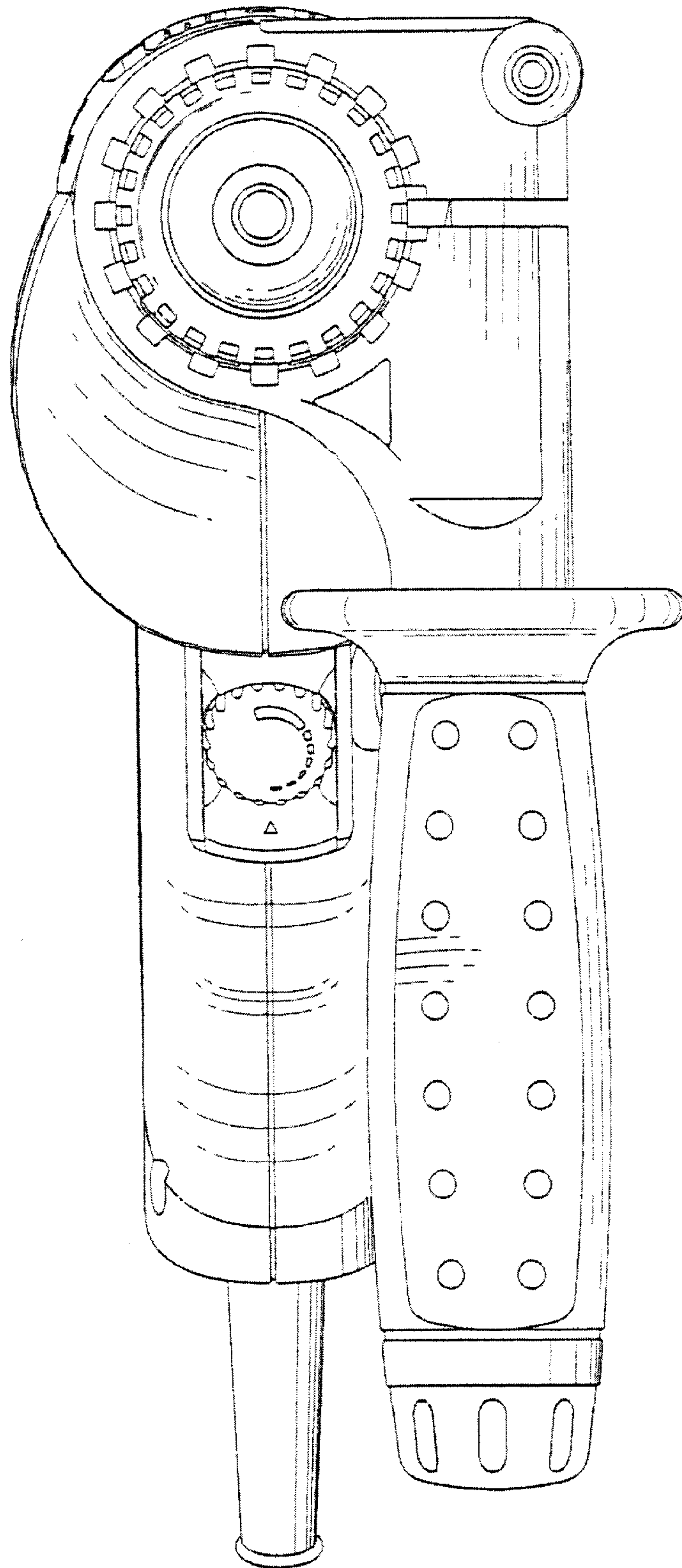


FIGURE 2

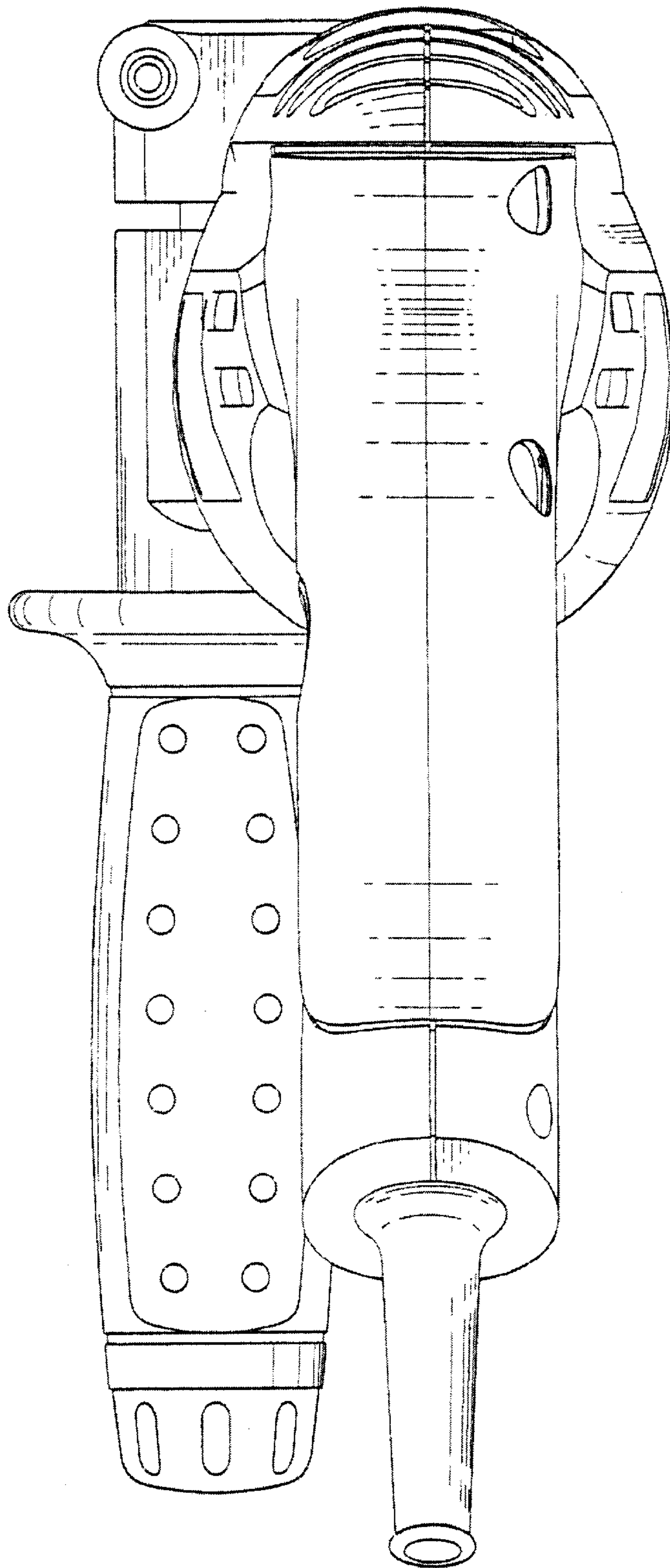


FIGURE 3

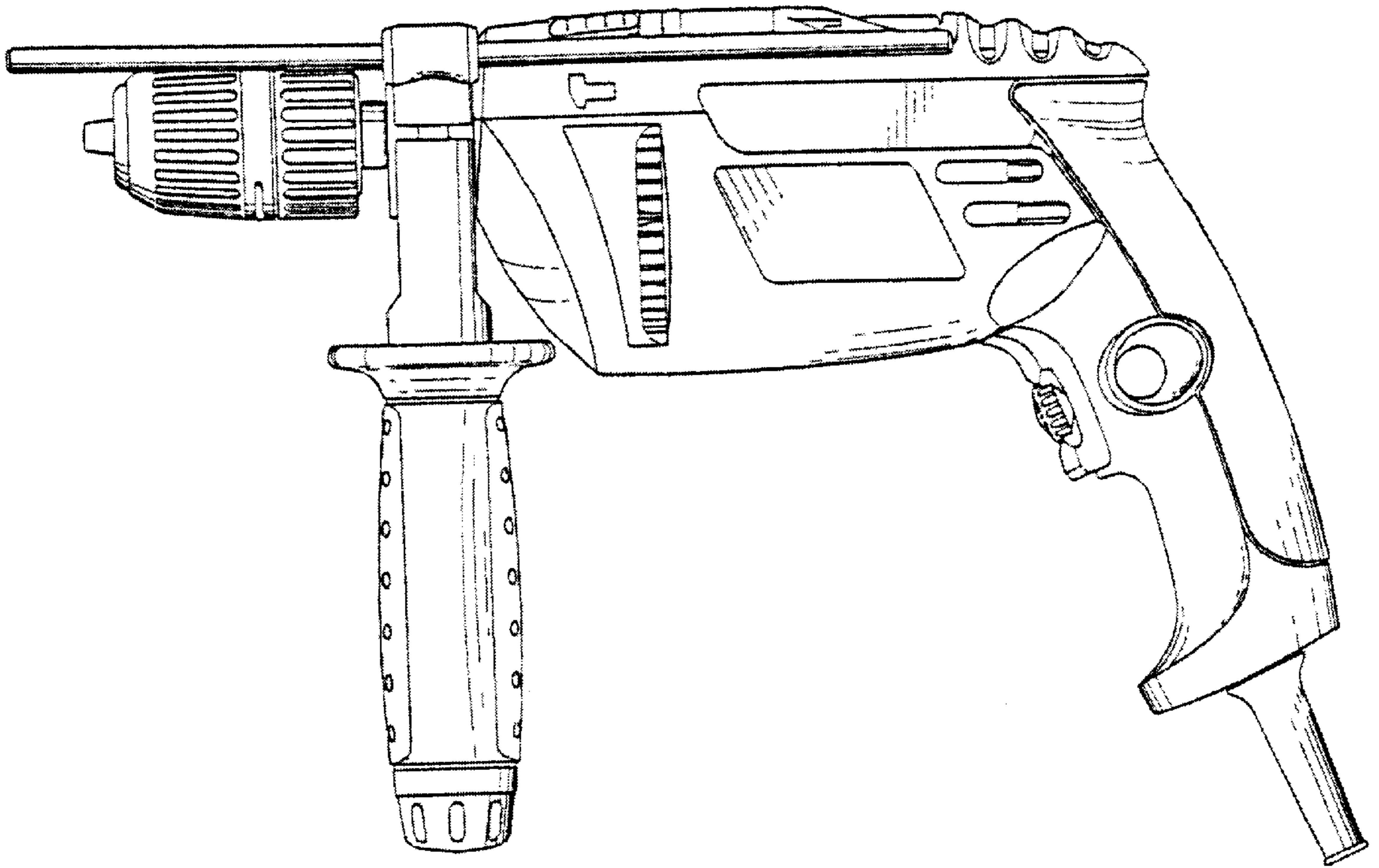


FIGURE 4

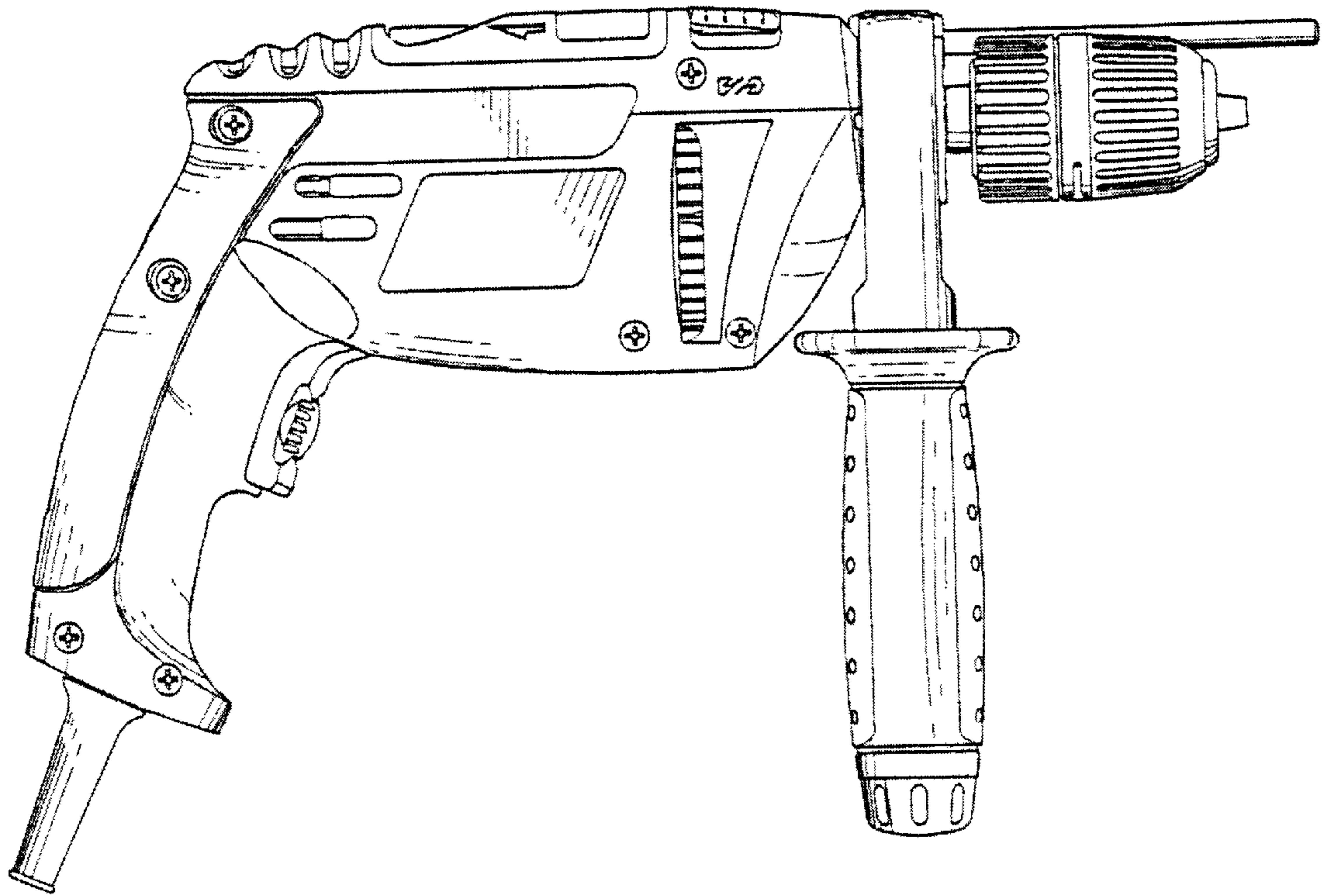


FIGURE 5

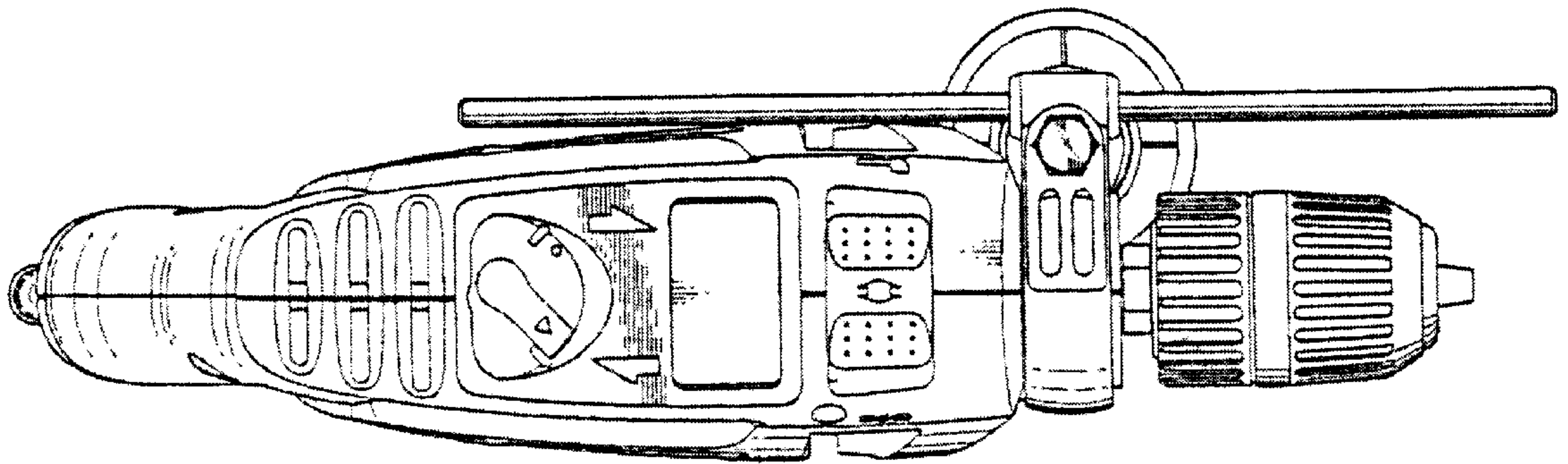


FIGURE 6

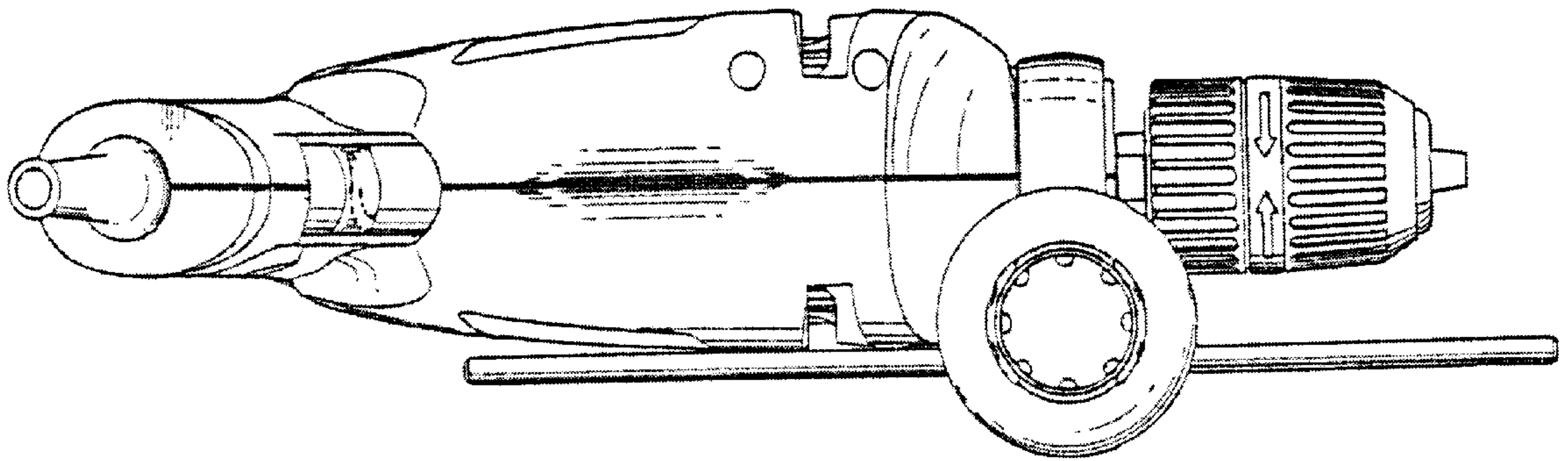


FIGURE 7