



US00D470378S

(12) **United States Design Patent**  
**Chunn et al.**

(10) **Patent No.:** **US D470,378 S**

(45) **Date of Patent:** **\*\* Feb. 18, 2003**

(54) **ELECTRIC DRILL**

(75) Inventors: **Daniel Alex Chunn**, Kowloon (HK);  
**Godfrey Ka Wai Chung**, Chung UK  
Tsuen (HK)

(73) Assignee: **One World Technologies Limited**  
(BM)

(\*\*) Term: **14 Years**

(21) Appl. No.: **29/151,652**

(22) Filed: **Dec. 5, 2001**

(51) **LOC (7) Cl.** ..... **08-01**

(52) **U.S. Cl.** ..... **D8/68**

(58) **Field of Search** ..... D8/61, 62, 63,  
D8/64, 65, 66, 67, 68, 69, 70; 81/57.11,  
429, 464, 465, 466, 469, 489; 173/13, 169,  
178, 213, 217; 227/8, 114, 120, 130, 136,  
142; 310/50; 408/20, 124, 125, 234, 241 R;  
451/358

(56) **References Cited**

**U.S. PATENT DOCUMENTS**

3,724,237 A *	4/1973	Wood	81/489
4,081,704 A	3/1978	Vassos et al.	
D279,862 S	7/1985	Sato et al.	
D326,598 S	6/1992	Sakamoto et al.	
D353,526 S	12/1994	Hoshino	
5,524,512 A	6/1996	Wolfe	

5,640,741 A	6/1997	Yano	
D396,395 S	7/1998	Zurwelle	
D400,074 S	10/1998	Cooper	
5,893,685 A	4/1999	Olson et al.	
5,984,022 A *	11/1999	Harman, Jr. et al.	81/57.11
D420,879 S	2/2000	Watson et al.	
6,124,652 A *	9/2000	Karasa et al.	310/50
D435,414 S	12/2000	Etter et al.	
D436,511 S	1/2001	Hayakawa et al.	
6,186,709 B1	2/2001	Hsu	

\* cited by examiner

*Primary Examiner*—Doris V. Coles

*Assistant Examiner*—T. Chase Nelson

(74) *Attorney, Agent, or Firm*—Brooks & Kushman P.C.

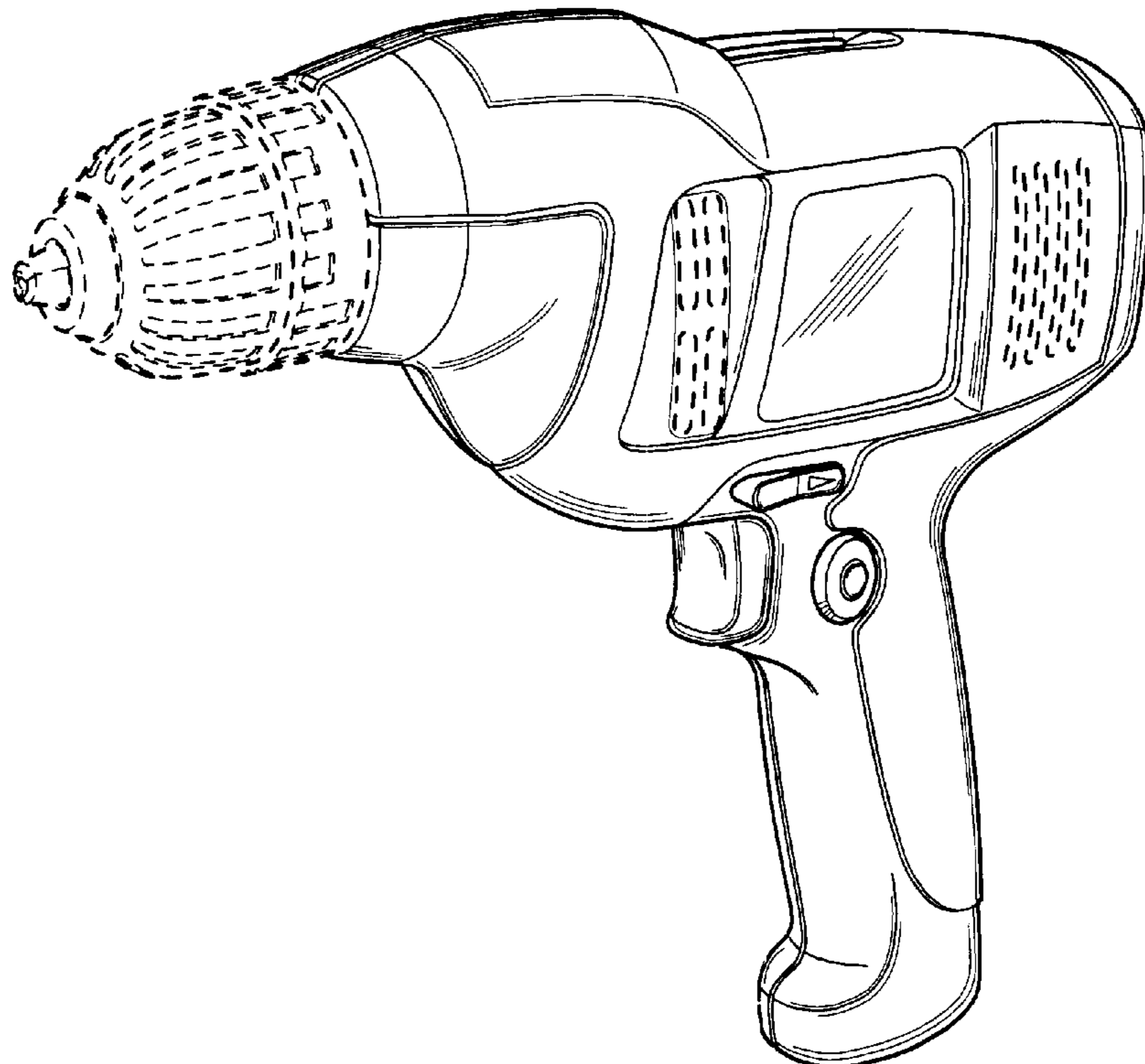
(57) **CLAIM**

The ornamental design for an electric drill, as shown and described.

**DESCRIPTION**

FIG. 1 is a perspective view of an electric drill;  
FIG. 2 is a front elevational view thereof;  
FIG. 3 is a rear elevational view thereof;  
FIG. 4 is a right side elevational view thereof;  
FIG. 5 is a left side elevational view thereof;  
FIG. 6 is a top plan view thereof; and,  
FIG. 7 is a bottom plan view of the present invention.  
No claim is made to the portions of the drill illustrated in  
phantom outline.

**1 Claim, 3 Drawing Sheets**



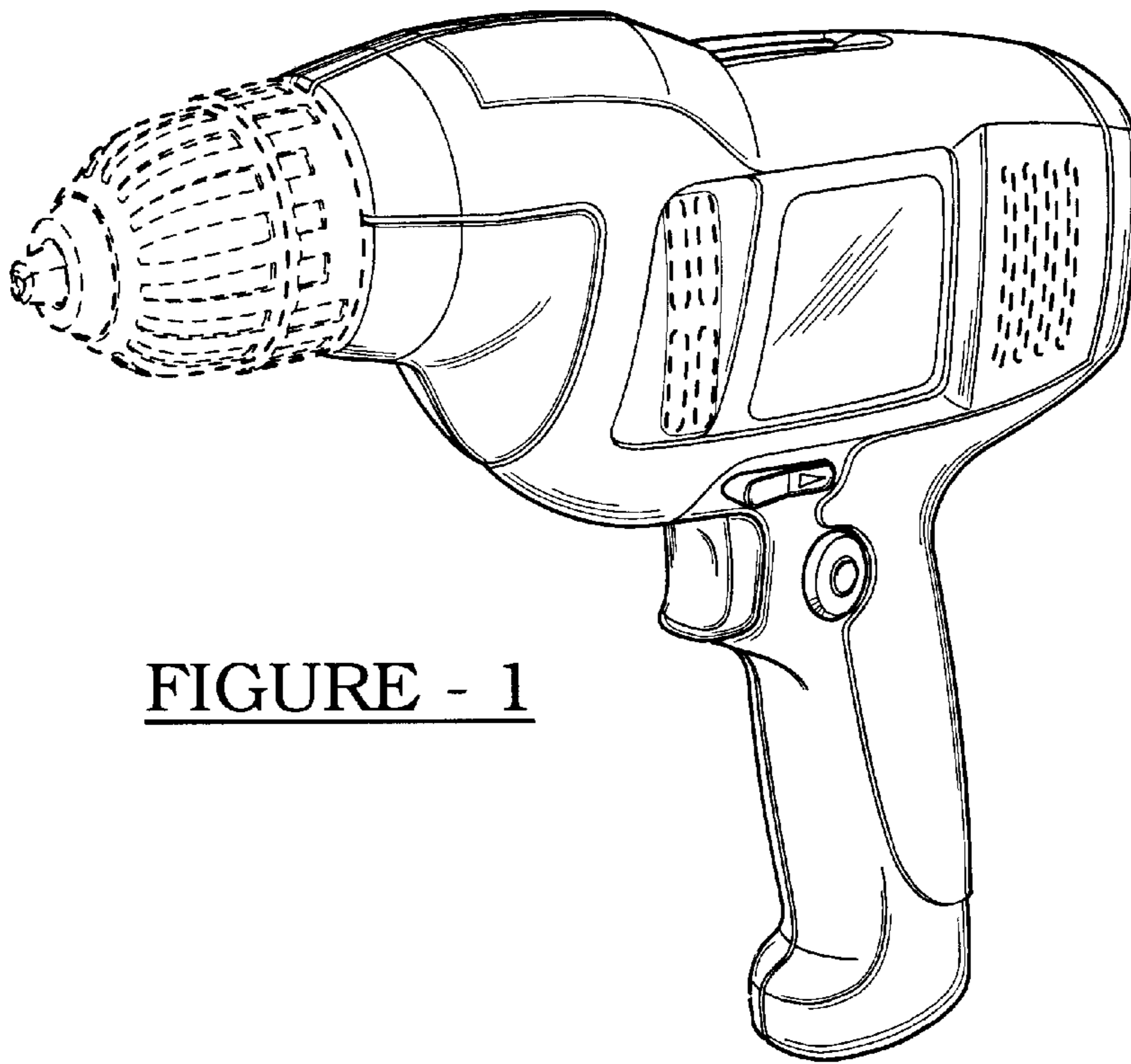


FIGURE - 1

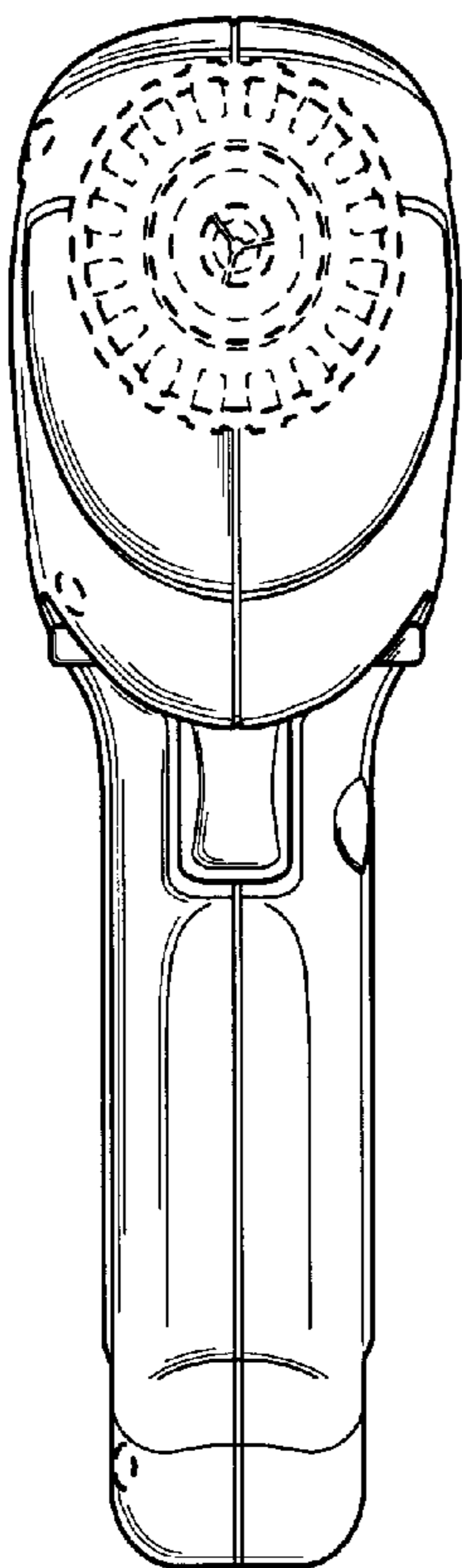


FIGURE - 2

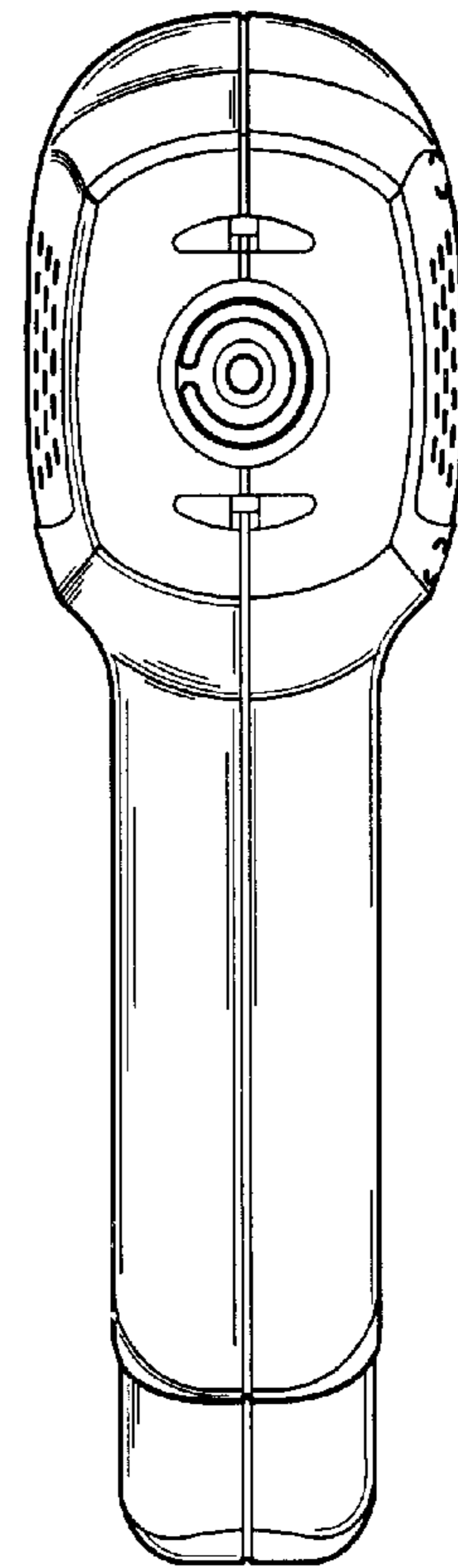


FIGURE - 3

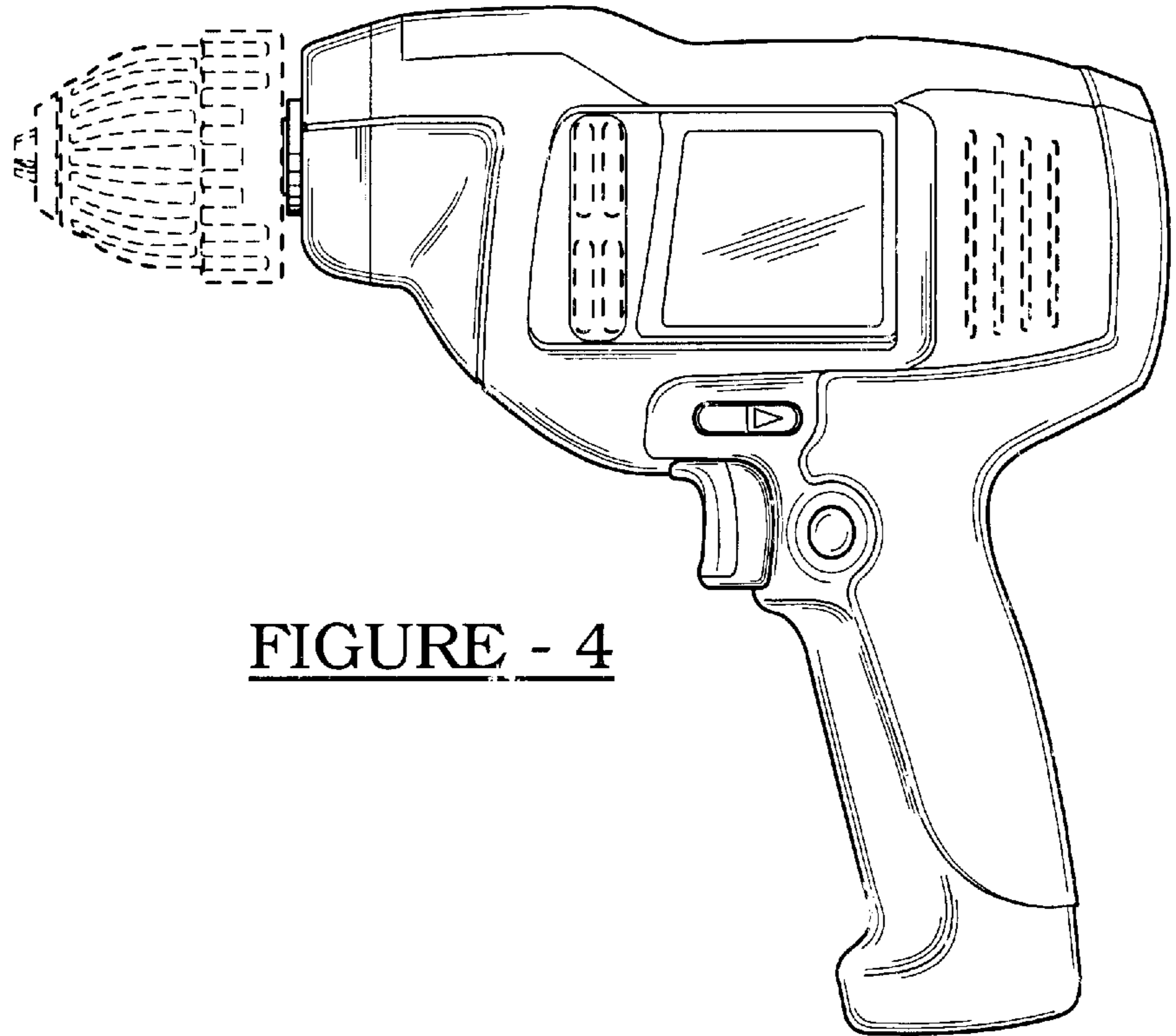


FIGURE - 4

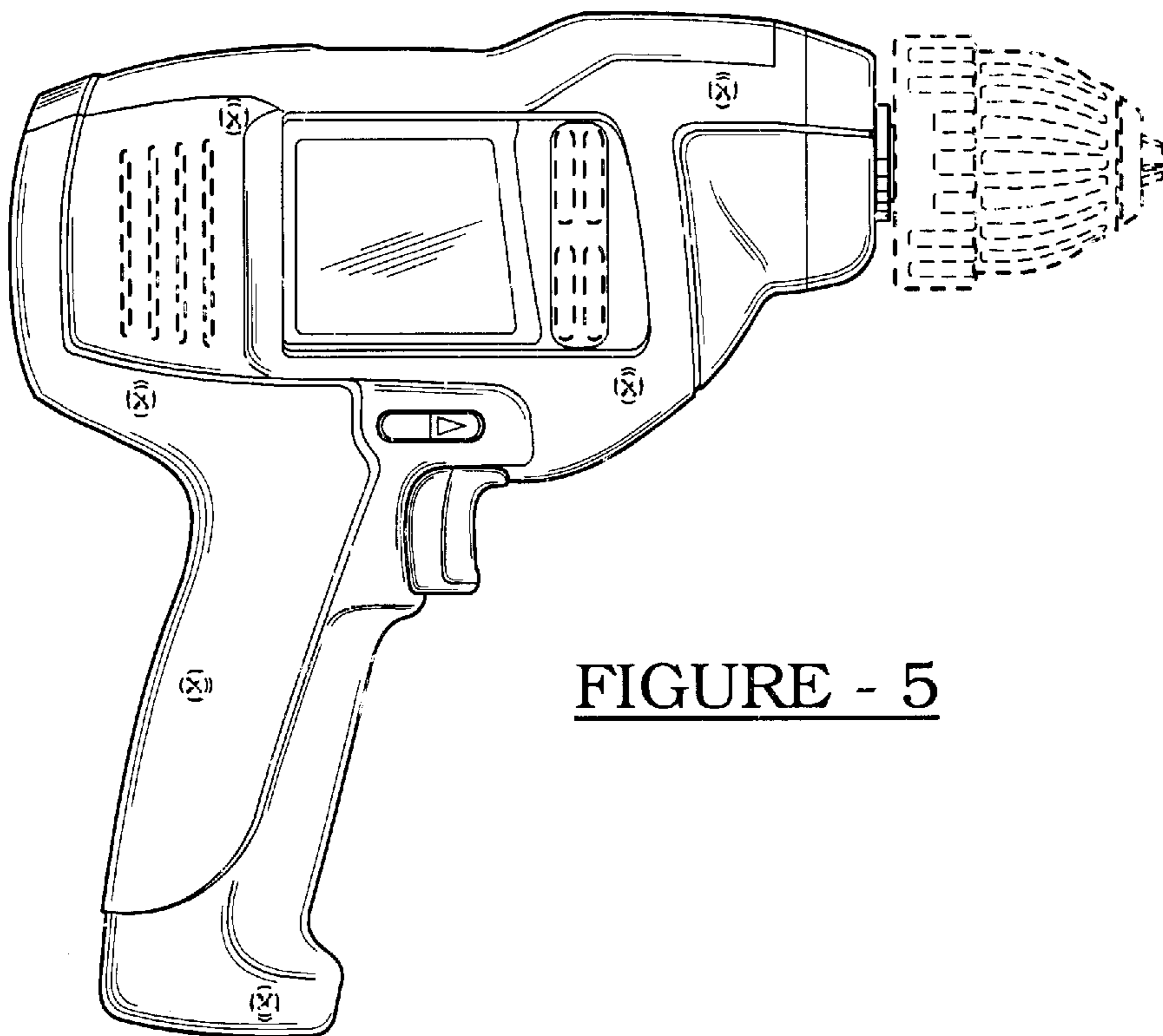


FIGURE - 5

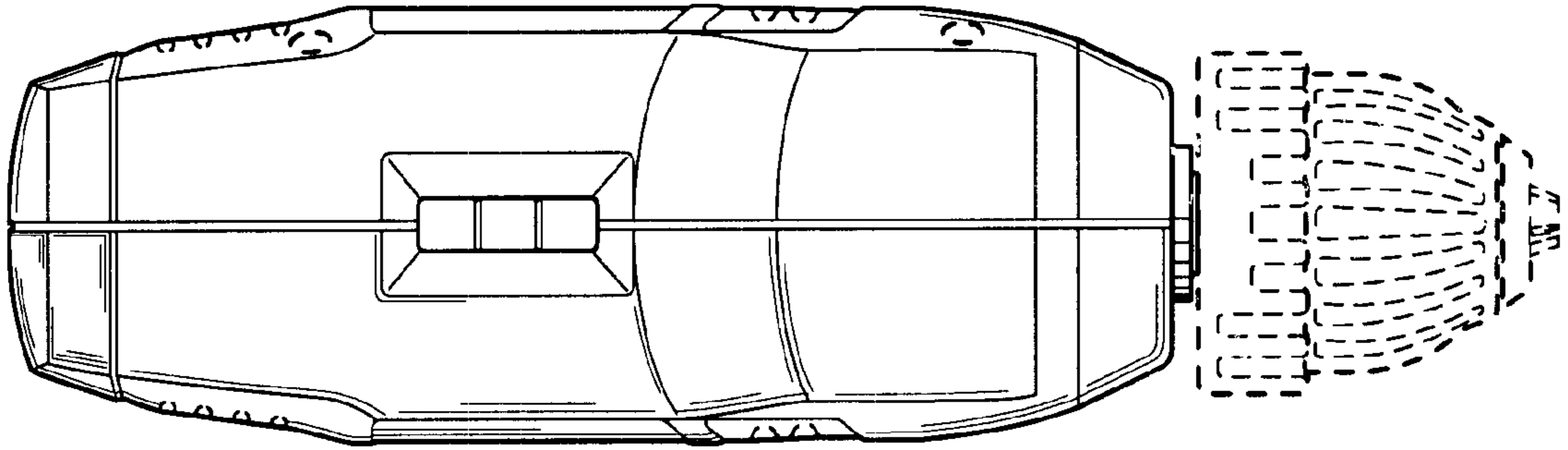


FIGURE - 6

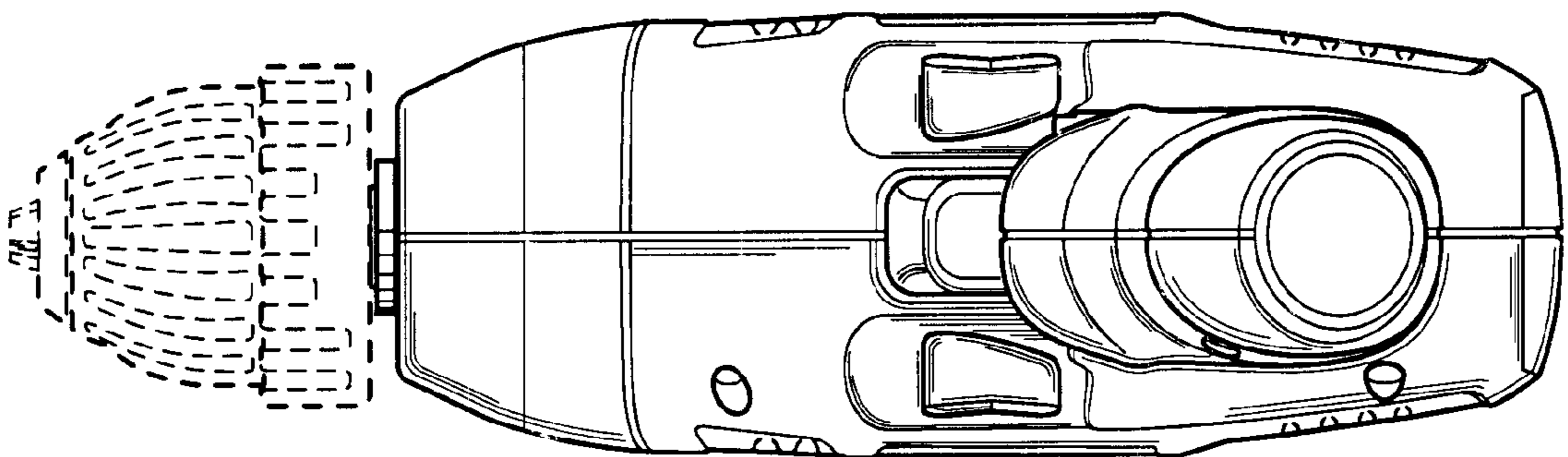


FIGURE - 7