



US00D470377S

(12) **United States Design Patent**  
**Lopano**

(10) **Patent No.:** **US D470,377 S**

(45) **Date of Patent:** **\*\* Feb. 18, 2003**

(54) **ROUTER**

(75) **Inventor:** **Daniel N. Lopano**, Towson, MD (US)

(73) **Assignee:** **Black & Decker Inc.**, Newark, DE (US)

(\*\*) **Term:** **14 Years**

(21) **Appl. No.:** **29/166,773**

(22) **Filed:** **Sep. 4, 2002**

(51) **LOC (7) Cl.** ..... **08-01**

(52) **U.S. Cl.** ..... **D8/67**

(58) **Field of Search** ..... D8/61, 62, DIG. 2;  
144/134.1, 135.2, 136.1, 154.5; 173/216,  
217; 409/180, 181, 182; 451/456

(56) **References Cited**

**U.S. PATENT DOCUMENTS**

3,363,510 A	*	1/1968	Burrows et al.	409/182
3,494,394 A	*	2/1970	Stock	409/182
4,566,512 A	*	1/1986	Wilson	144/154.5
4,652,191 A	*	3/1987	Bernier	409/182
4,827,996 A	*	5/1989	Cotton et al.	409/182
5,005,617 A	*	4/1991	Michaels	144/154.5

5,503,203 A	*	4/1996	Stornetta	409/182
5,584,620 A	*	12/1996	Blickhan et al.	409/182
5,913,645 A	*	6/1999	Coffey	409/182
D416,460 S	*	11/1999	Bosten et al.	D8/67
6,024,144 A	*	2/2000	Qian	144/154.5
D444,364 S	*	7/2001	Evans	D8/67

\* cited by examiner

*Primary Examiner*—Doris V. Coles

*Assistant Examiner*—Elizabeth A. Albert

(74) *Attorney, Agent, or Firm*—Michael P. Leary; Bruce S. Shapiro; Charles E. Yocum

(57) **CLAIM**

The ornamental design for a router, as shown and described.

**DESCRIPTION**

FIG. 1 is a perspective view of a router showing my new design.

FIG. 2 is a front elevational view thereof.

FIG. 3 is a rear elevational view thereof.

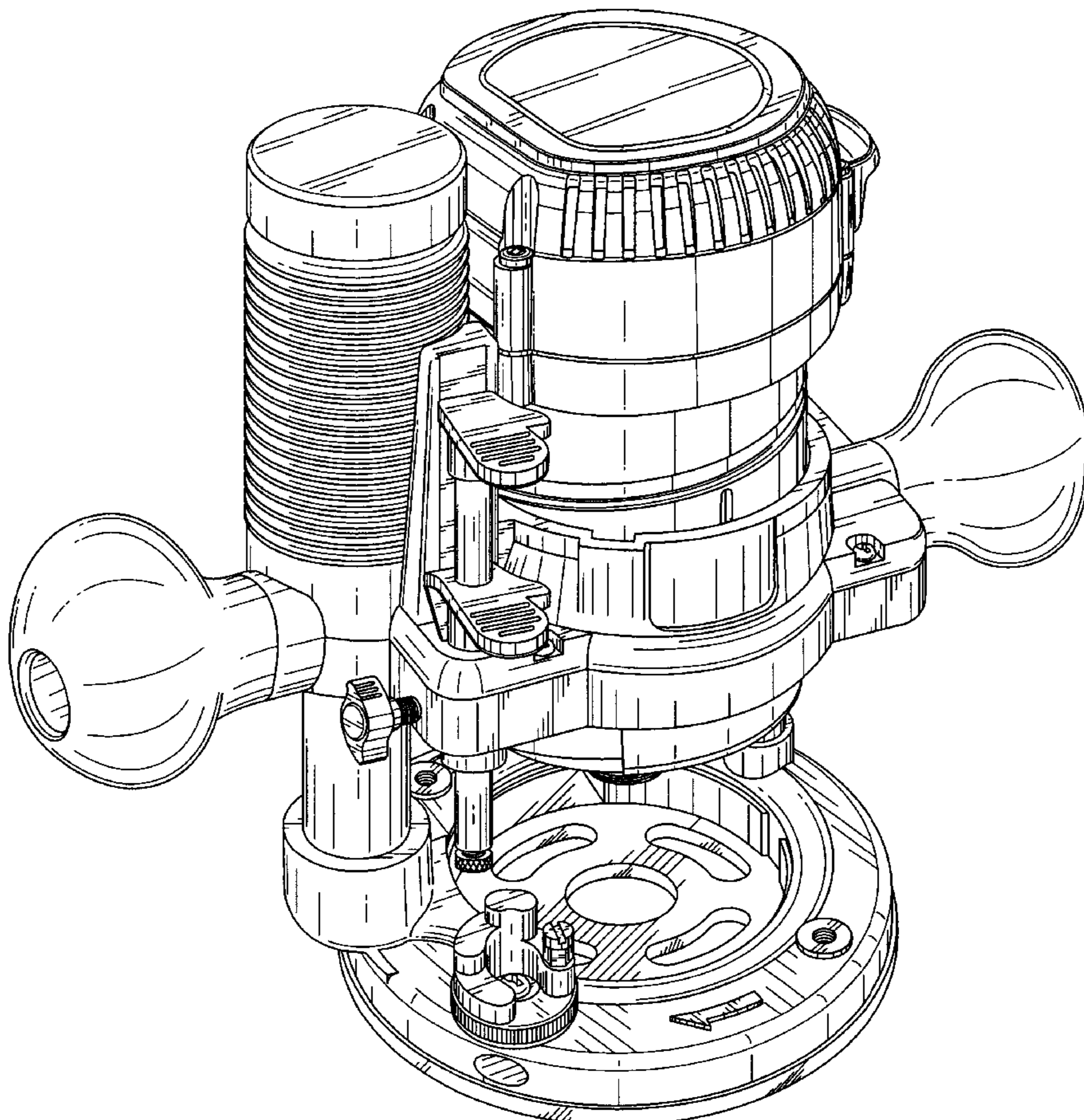
FIG. 4 is a right side elevational view thereof.

FIG. 5 is a left side elevational view thereof.

FIG. 6 is a top plan view thereof; and,

FIG. 7 is a bottom plan view thereof.

**1 Claim, 7 Drawing Sheets**



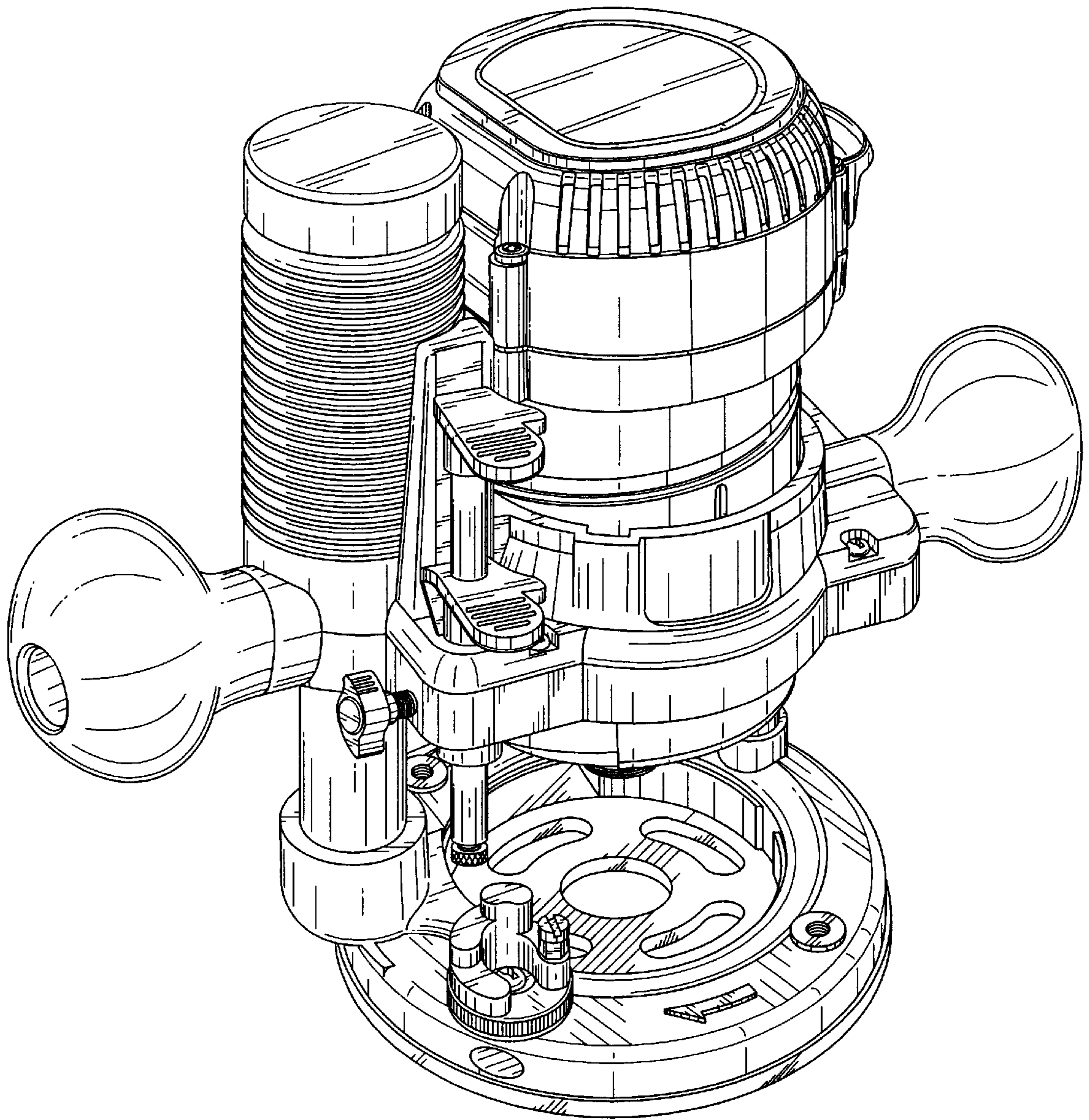


FIG. 1

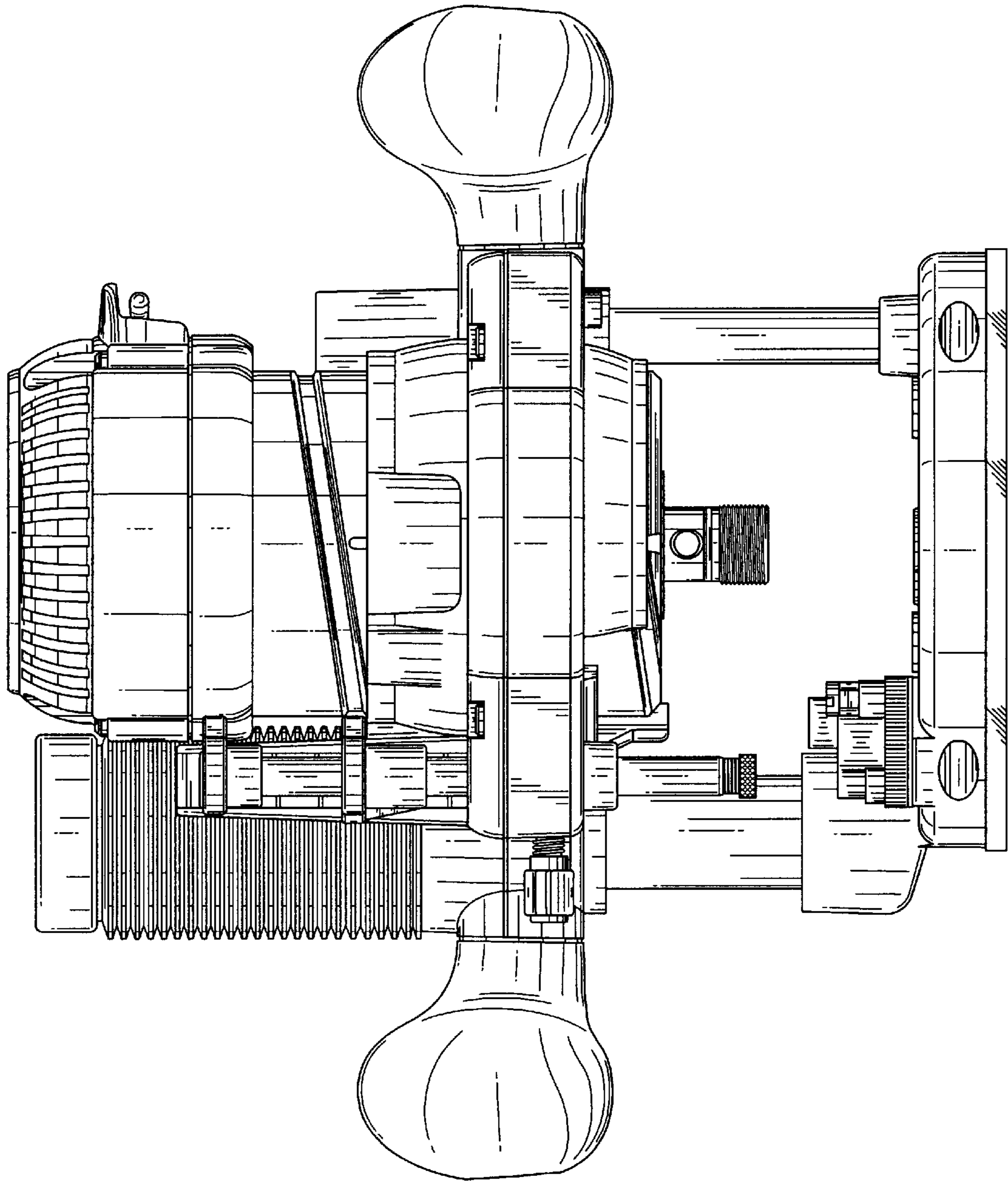


FIG. 2

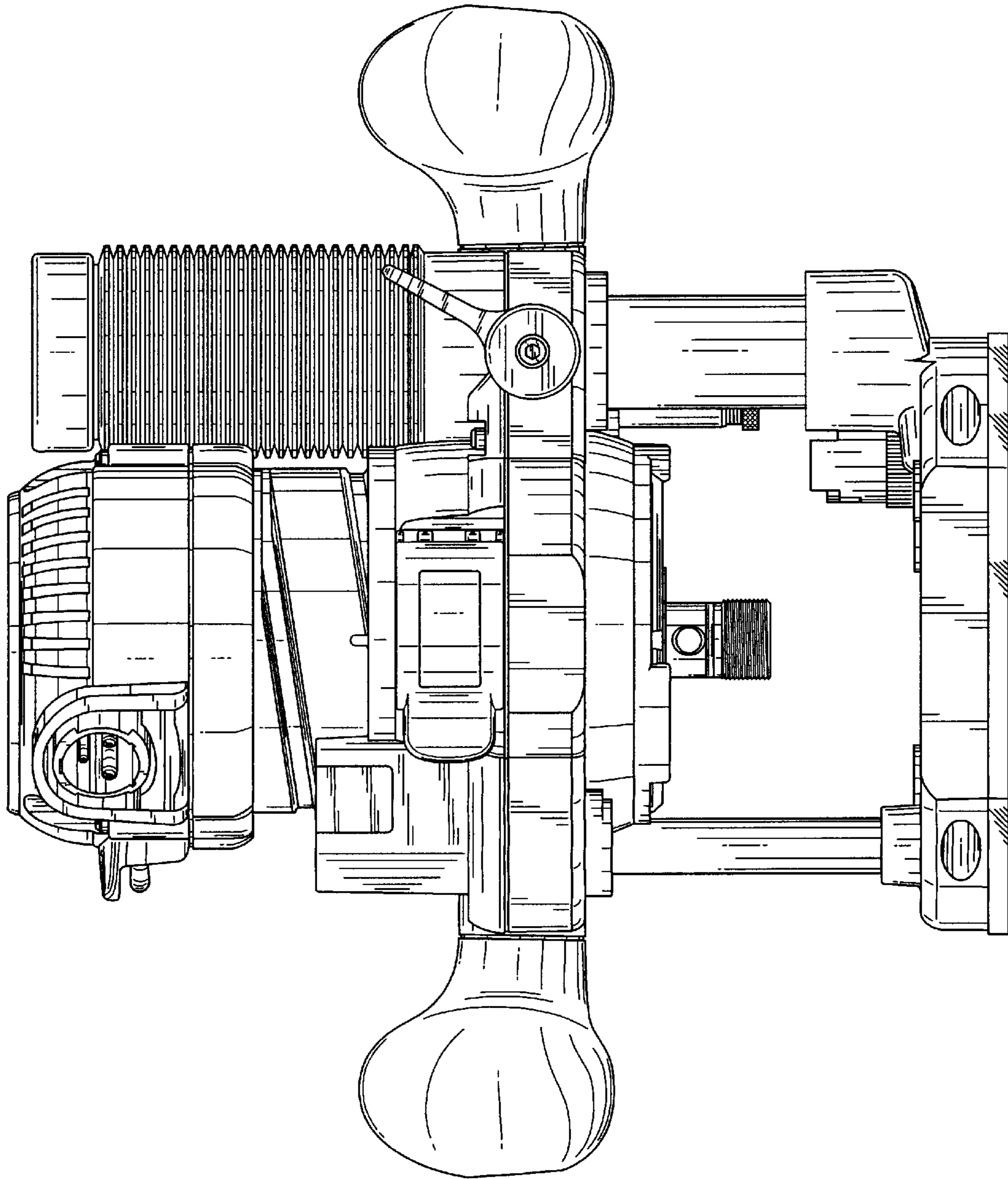


FIG. 3

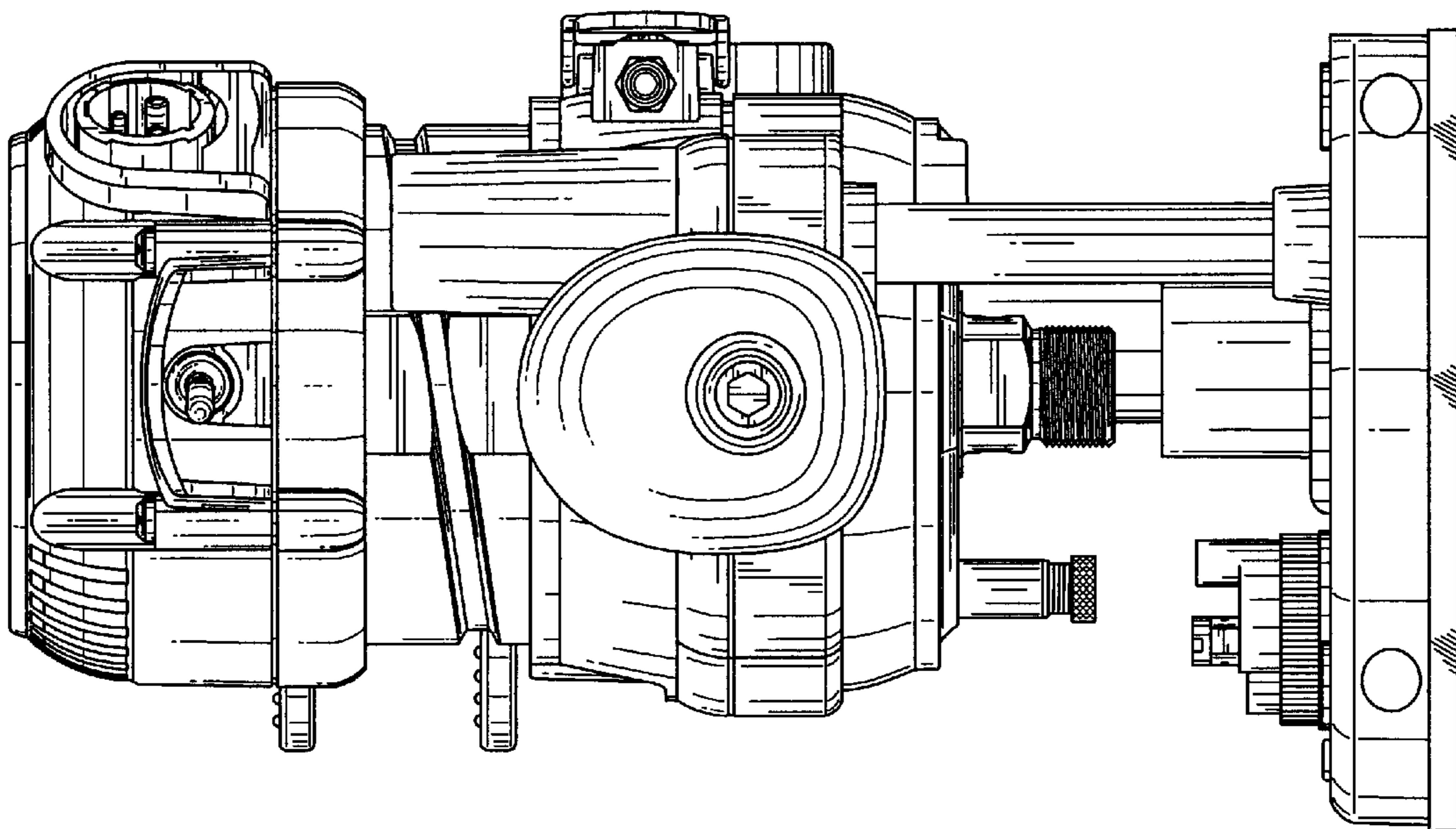


FIG. 4

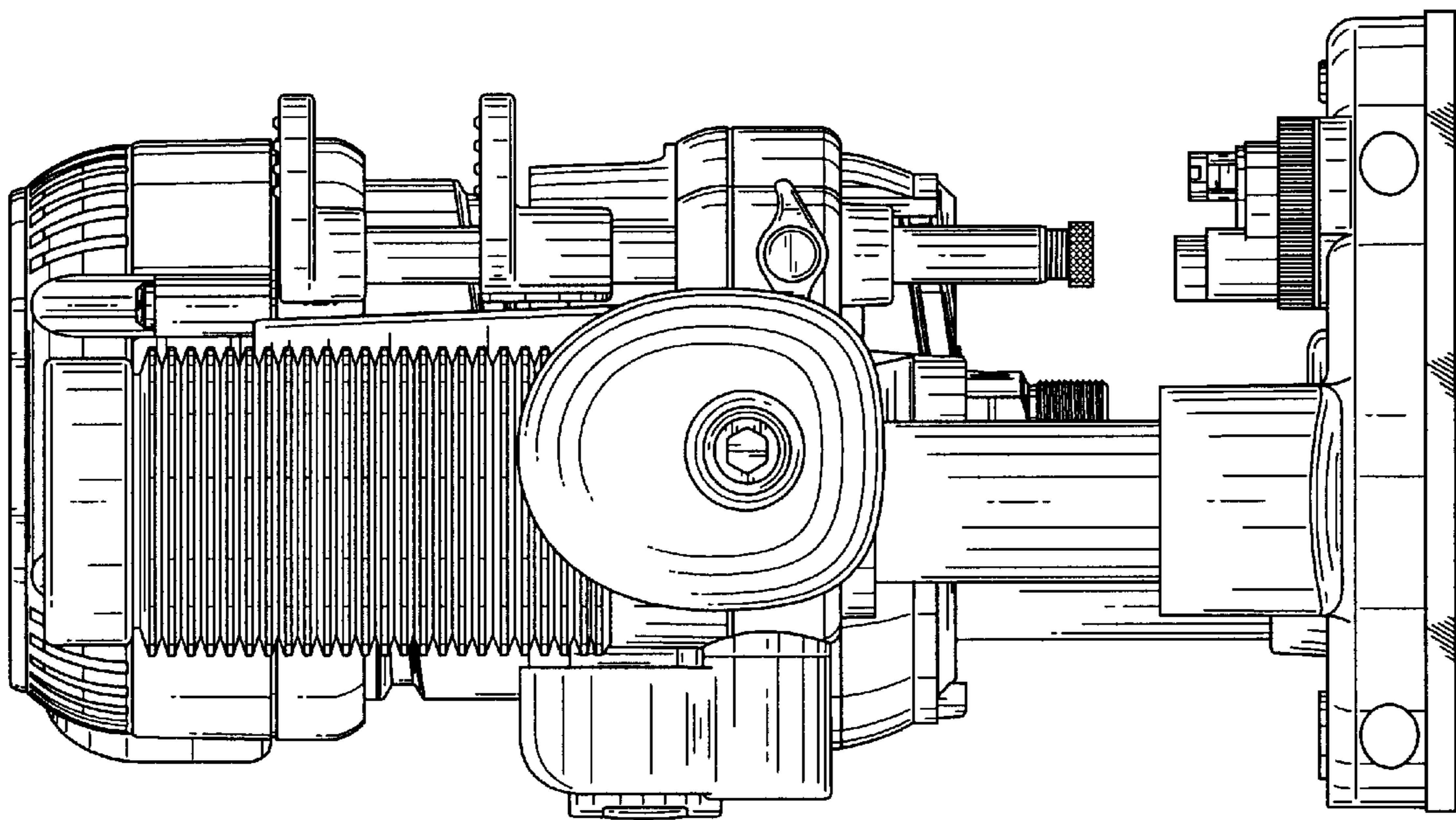


FIG. 5

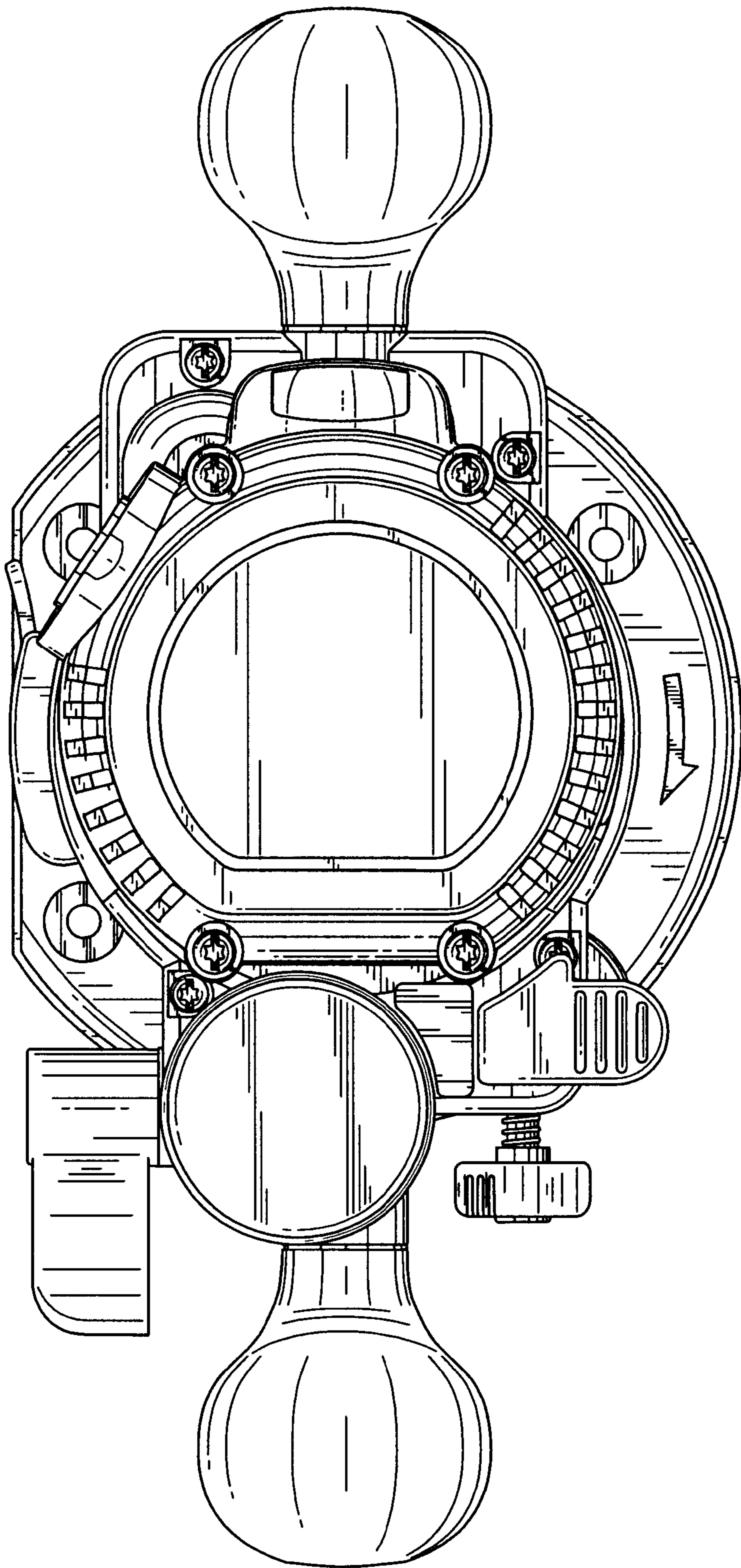


FIG. 6

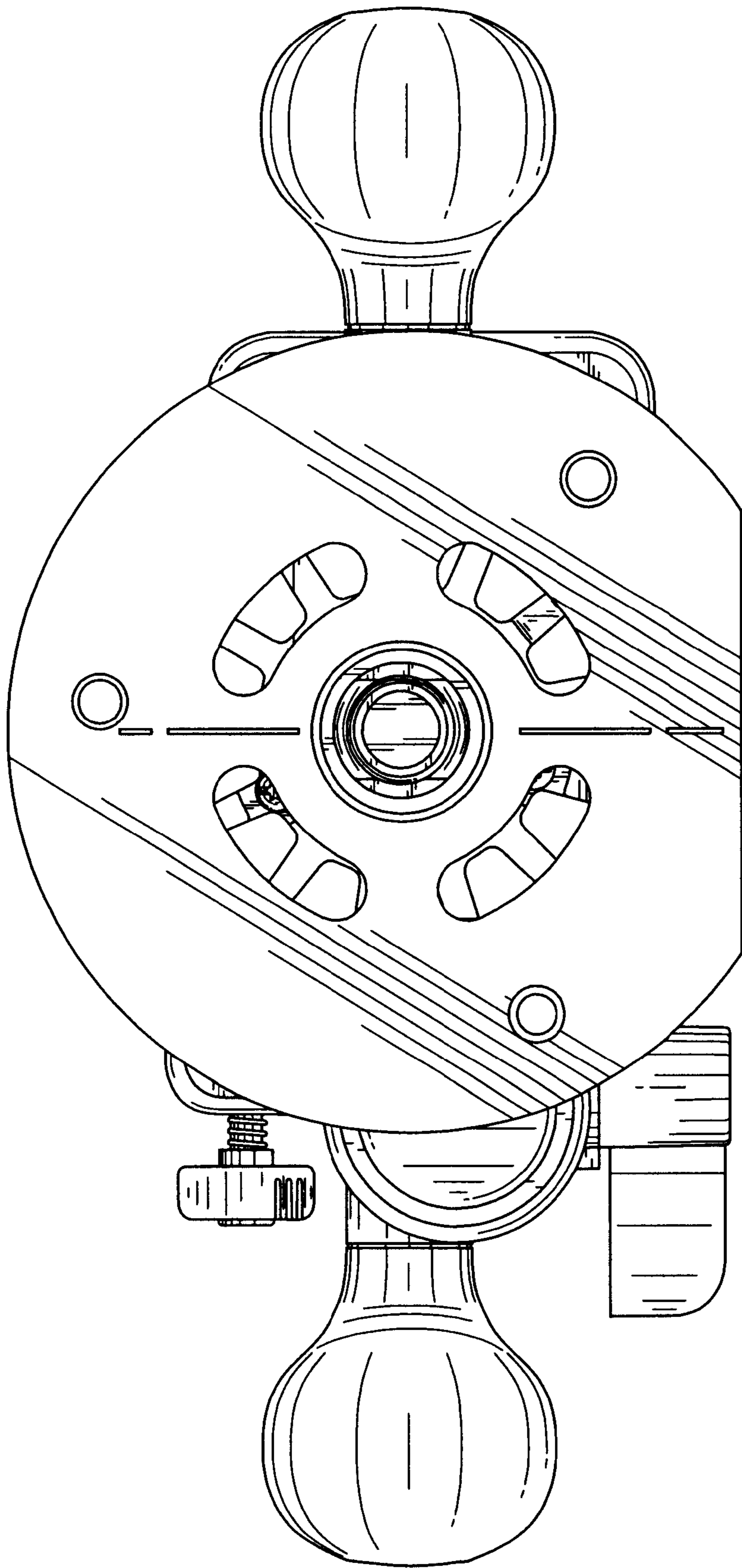


FIG. 7