



US00D470376S

(12) **United States Design Patent**
Chunn et al.

(10) **Patent No.:** **US D470,376 S**

(45) **Date of Patent:** **** Feb. 18, 2003**

- (54) **CORDLESS CIRCULAR SAW**
- (75) Inventors: **Daniel Alex Chunn**, Kowloon (HK);
Gordon Lap Hon Tsang, Tuen Mun (HK)
- (73) Assignee: **One World Technologies Limited** (BM)
- (**) Term: **14 Years**
- (21) Appl. No.: **29/151,653**
- (22) Filed: **Dec. 5, 2001**
- (51) **LOC (7) Cl.** **08-03**
- (52) **U.S. Cl.** **D8/66**
- (58) **Field of Search** D8/61, 62, 63,
D8/64, 66, 67, 68, 69, 70; 30/374, 375,
376, 377, 388, 389, 390, 391, 392, 393,
394; 173/15, 47, 48, 109, 169, 170, 216,
217; 310/50

- D428,319 S * 7/2000 Gallagher D8/66
- 6,161,293 A 12/2000 Watson
- D445,013 S 7/2001 Etter et al.
- D449,503 S 10/2001 Tsuzuki et al.
- 6,308,424 B1 10/2001 Stielper

OTHER PUBLICATIONS

Sears, Roebuck and Co., Owner's Manual Craftsman, 5-½ in. Industrial Cordless Trim Saw Jul. 1997, Model No. 315.271810.
Craftsman 14.4 volt Trim Saw Kit, 5-½ in. Blade, Cordless at Sears.com, undated.

* cited by examiner

Primary Examiner—Doris V. Coles
Assistant Examiner—Elizabeth A. Albert
(74) *Attorney, Agent, or Firm*—Brooks & Kushman P.C.

(57) **CLAIM**

The ornamental design for a cordless circular saw, as shown.

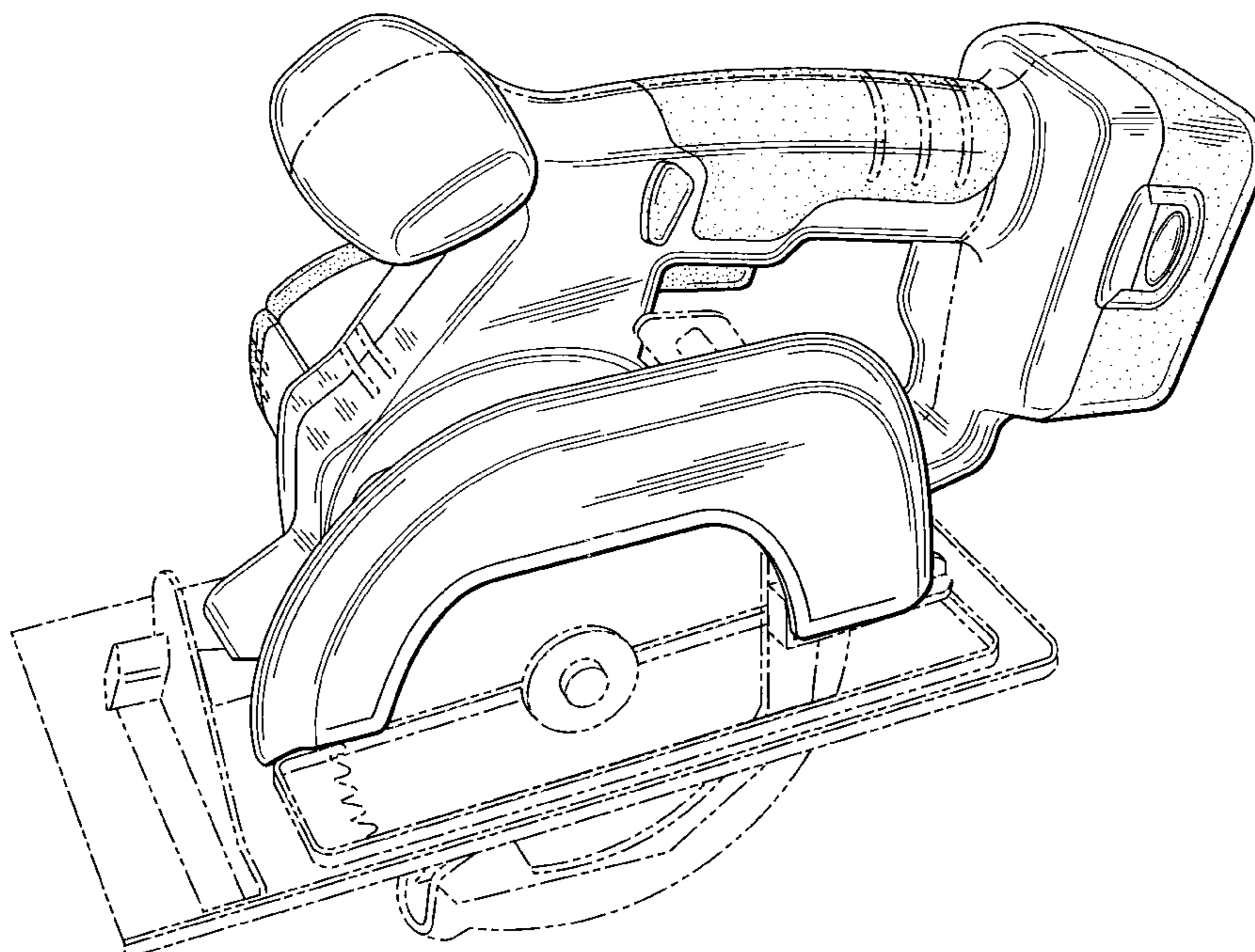
DESCRIPTION

FIG. 1 is a perspective view of a cordless circular saw; FIG. 2 is a right side elevational view thereof; FIG. 3 is a left side elevational view thereof; FIG. 4 is a front elevational view thereof; FIG. 5 is a rear elevational view thereof; FIG. 6 is a top plan view thereof; FIG. 7 is a bottom plan view thereof; and, FIG. 8 is a front elevational view similar to FIG. 4 with the front of the cordless circular saw shown in solid lines of the present invention.

The broken lines showing environment in the drawings are for illustrative purposes only and form no part of the claimed design.

- (56) **References Cited**
- U.S. PATENT DOCUMENTS**
- D262,772 S 1/1982 Glass et al.
- 4,555,849 A 12/1985 Ando et al.
- 5,023,999 A 6/1991 Looper et al.
- D327,828 S 7/1992 Hoshino et al.
- D329,363 S 9/1992 Sasaki et al.
- D334,523 S 4/1993 Hoshino et al.
- D335,433 S 5/1993 Schultz et al.
- D363,656 S 10/1995 Gierke
- D375,439 S 11/1996 Niwa et al.
- D401,827 S 12/1998 Lui
- D418,032 S 12/1999 Watson et al.
- D427,872 S 7/2000 Snider
- D428,318 S * 7/2000 Gallagher et al. D8/66

1 Claim, 5 Drawing Sheets



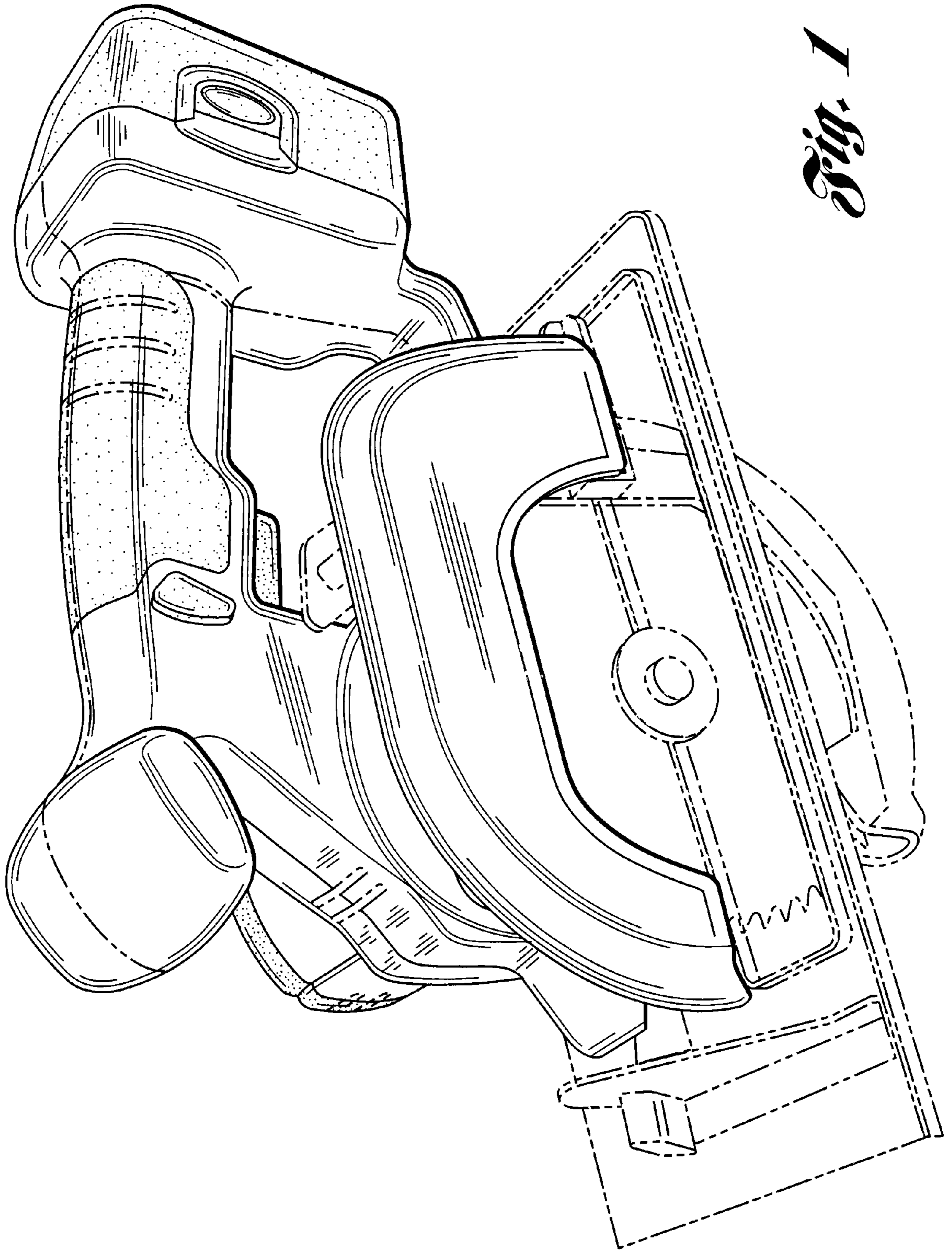


Fig. 1

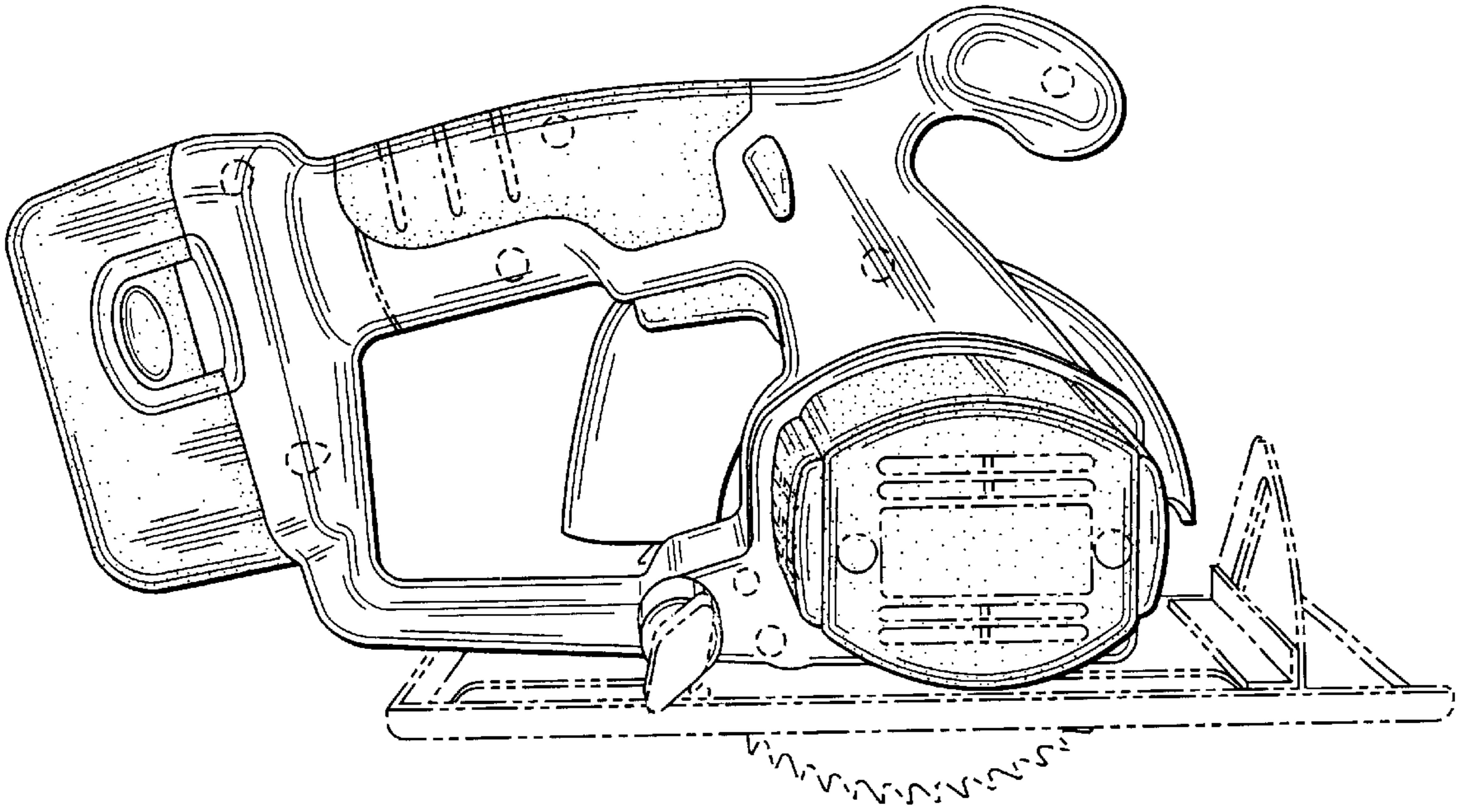


Fig. 2

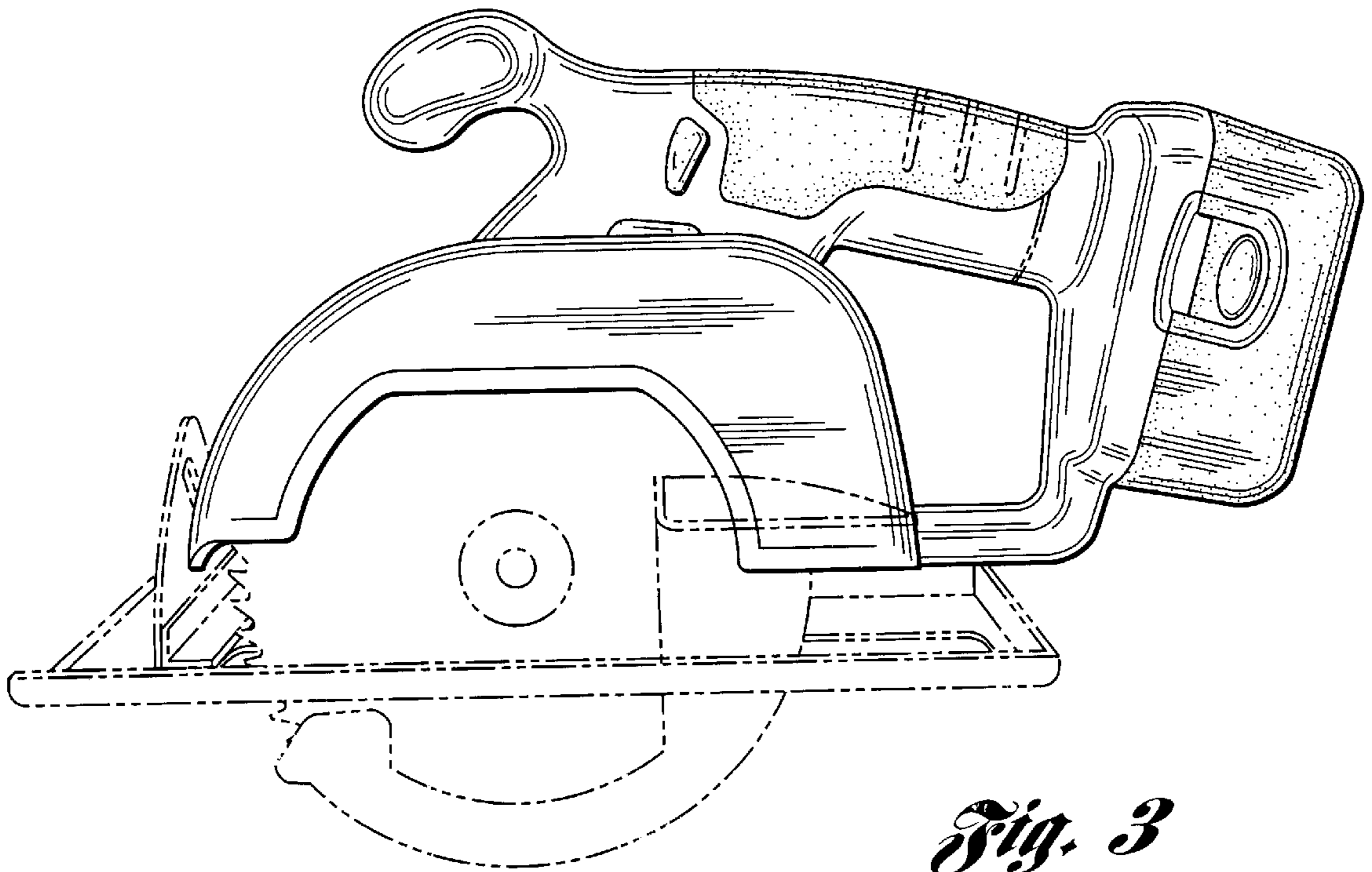


Fig. 3

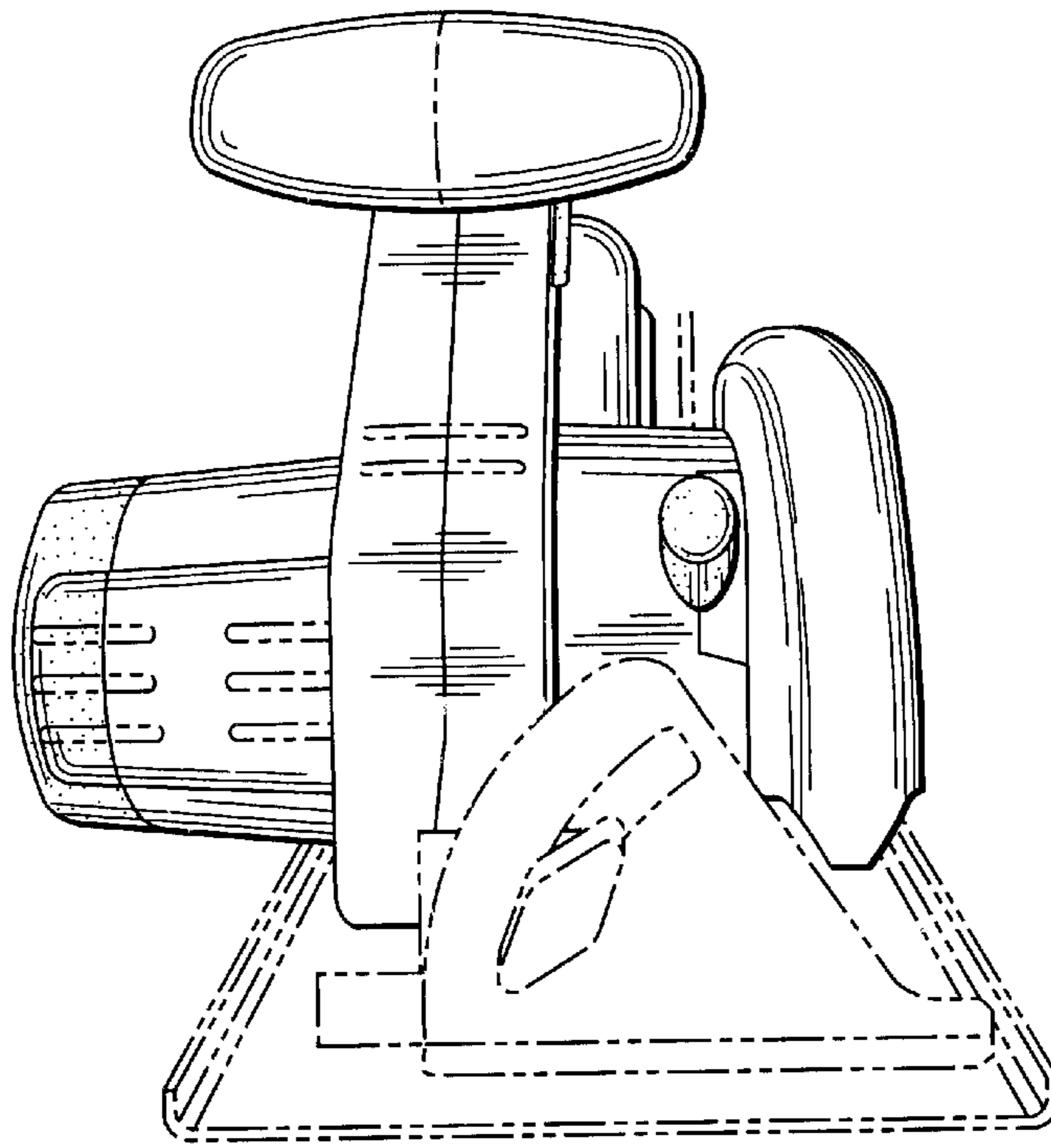


Fig. 4

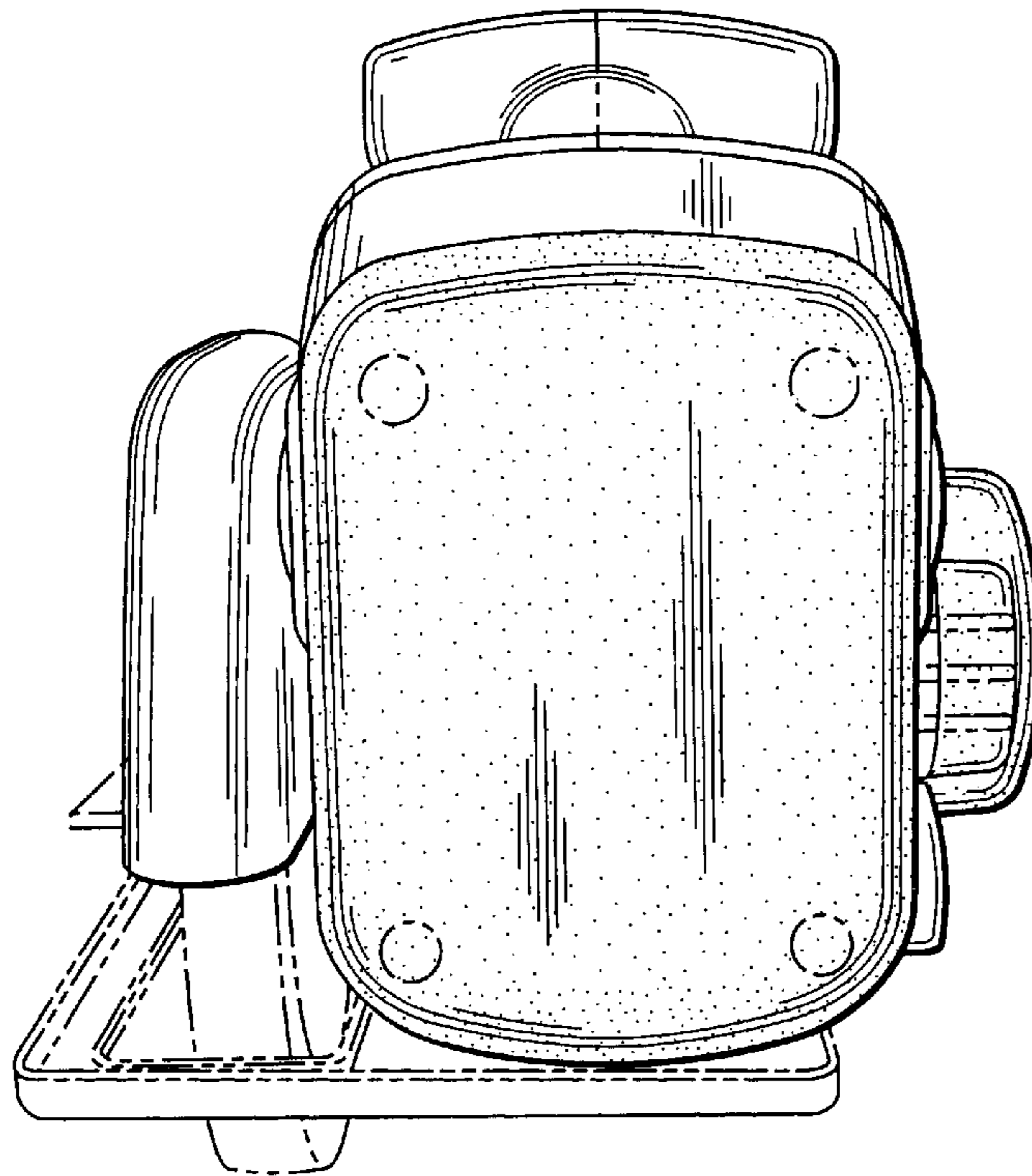


Fig. 5

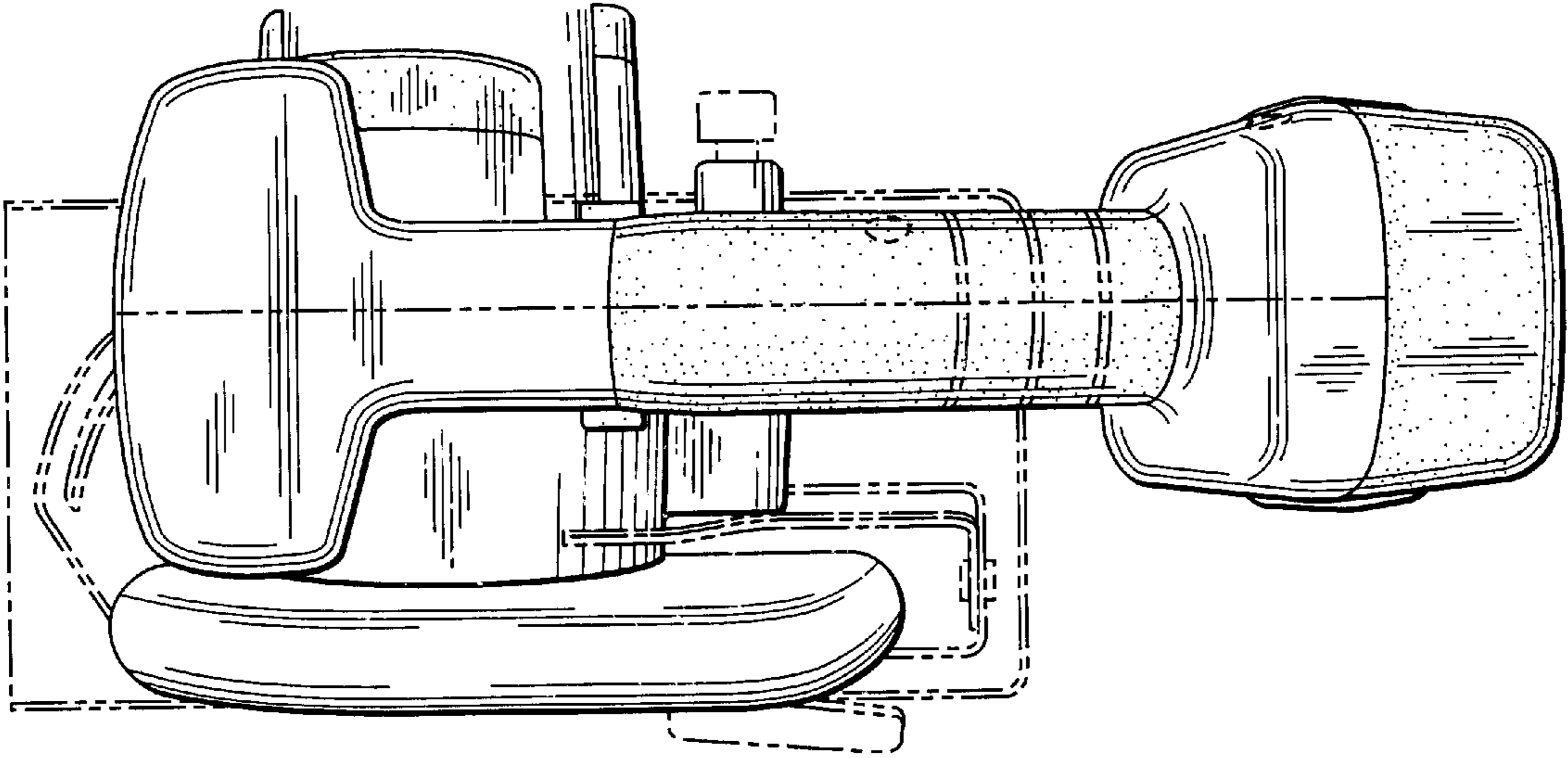


Fig. 6

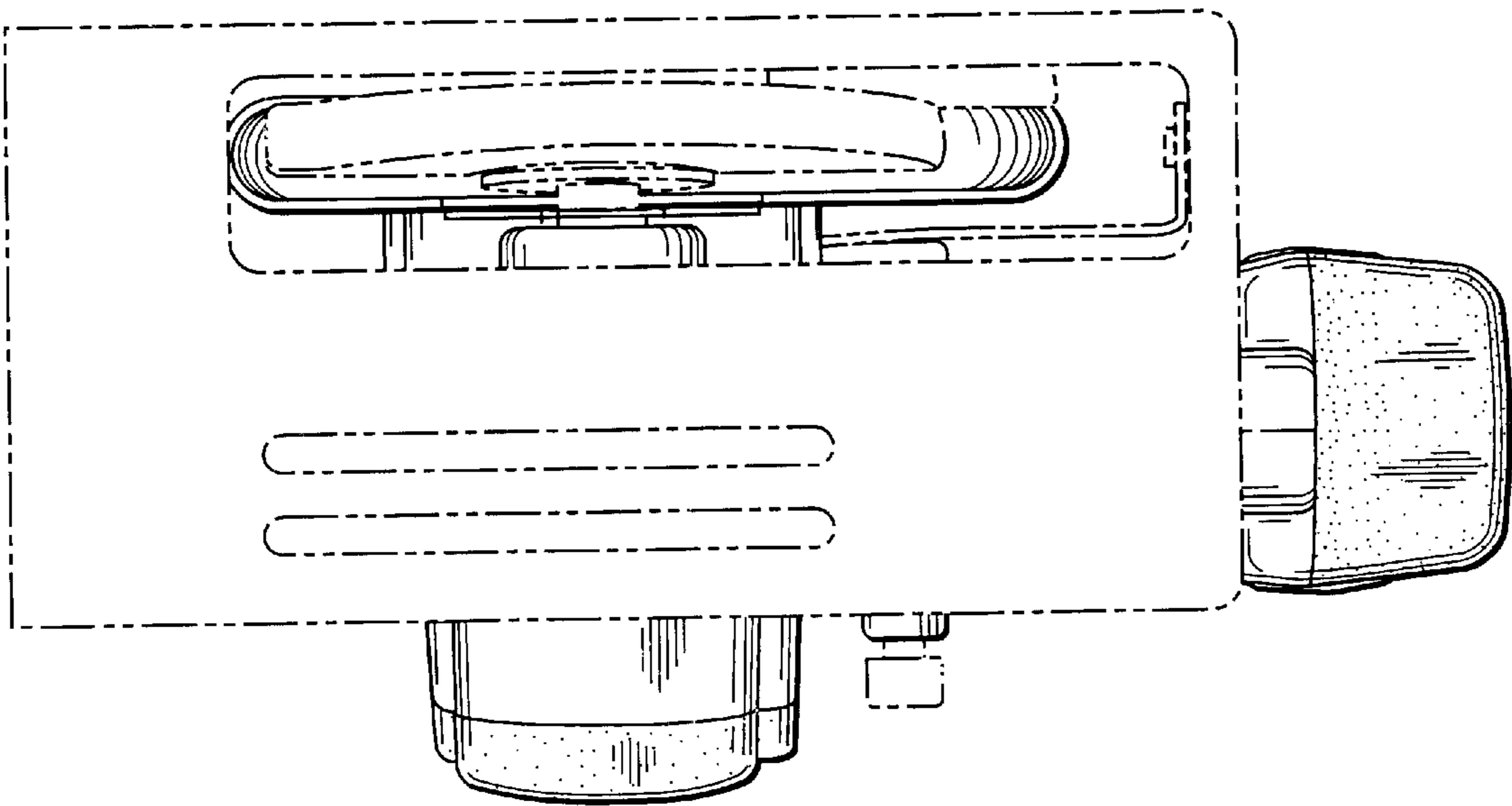


Fig. 7

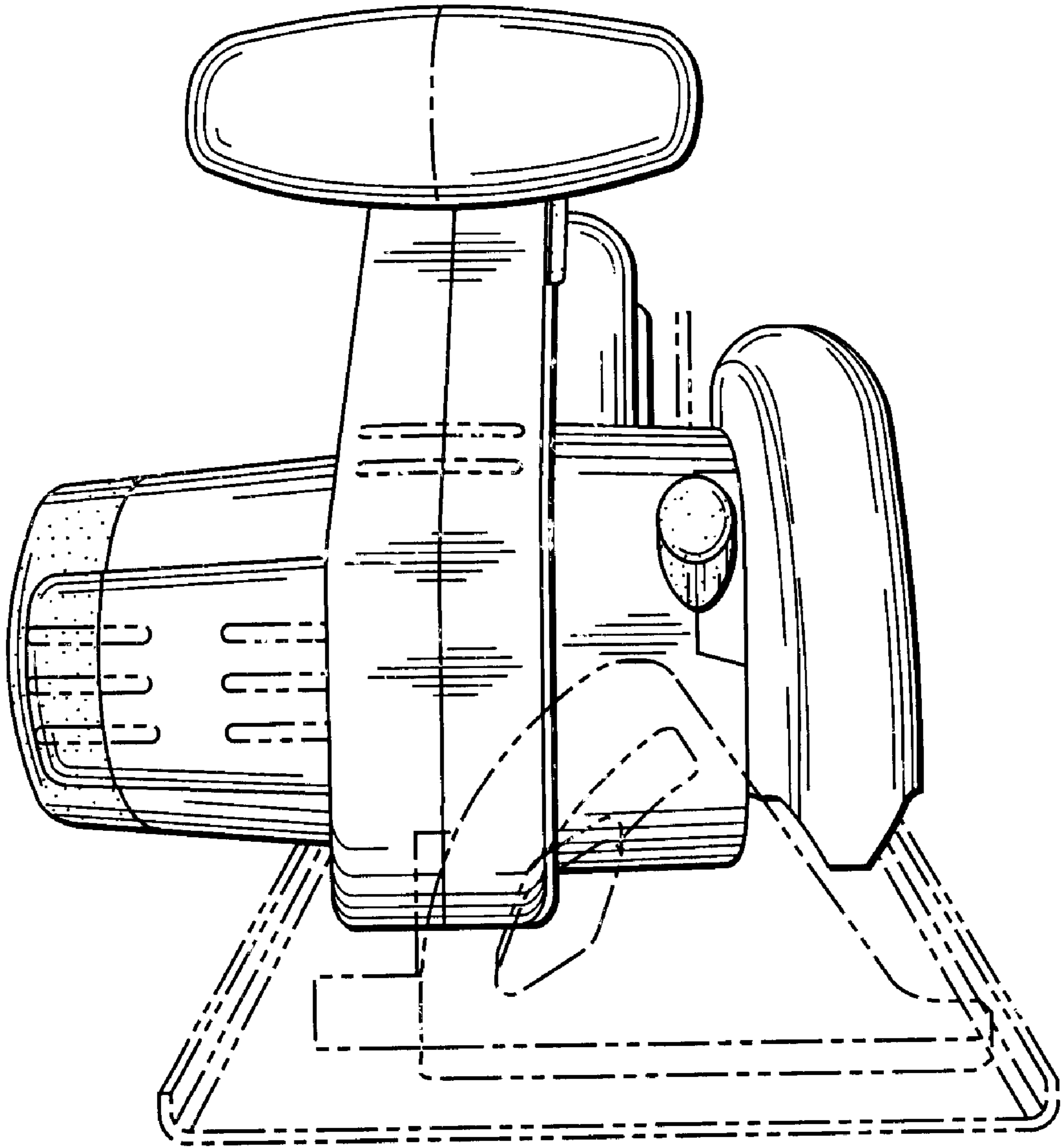


Fig. 8