



US00D470368S

(12) **United States Design Patent**  
**Kim**

(10) **Patent No.:** **US D470,368 S**

(45) **Date of Patent:** **\*\* Feb. 18, 2003**

(54) **BODY FOR JUICE EXTRACTOR**

D353,079 S \* 12/1994 Colombo ..... D7/665

(75) Inventor: **Jong-Boo Kim**, Daegu (KR)

\* cited by examiner

(73) Assignee: **Nuc Electronics Co., Ltd.**, Daegu (KR)

*Primary Examiner*—Terry A. Wallace

(\*\*) Term: **14 Years**

(74) *Attorney, Agent, or Firm*—Jacobson Holman PLLC

(21) Appl. No.: **29/159,291**

(57) **CLAIM**

(22) Filed: **Apr. 19, 2002**

The ornamental design for the body for juice extractor, as shown and described.

(30) **Foreign Application Priority Data**

**DESCRIPTION**

Oct. 22, 2001 (KR) ..... 01-29400

(51) **LOC (7) Cl.** ..... **31-00**

(52) **U.S. Cl.** ..... **D7/665**

(58) **Field of Search** ..... D7/665, 666, 372-374,  
D7/378; 99/495, 499, 501-513; 100/110,  
125, 131-135, 213, 283; 241/33, 36, 37,  
282.2

FIG. 1 is a perspective view of the body for juice extractor according to my invention;

FIG. 2 is a front elevational view thereof;

FIG. 3 is a rear elevational view thereof;

FIG. 4 is a left side elevational view thereof;

FIG. 5 is a right side elevational view thereof;

FIG. 6 is a top plan view thereof; and,

FIG. 7 is a bottom plan view thereof.

(56) **References Cited**

**U.S. PATENT DOCUMENTS**

4,080,885 A \* 3/1978 Pauty ..... 99/501

**1 Claim, 4 Drawing Sheets**

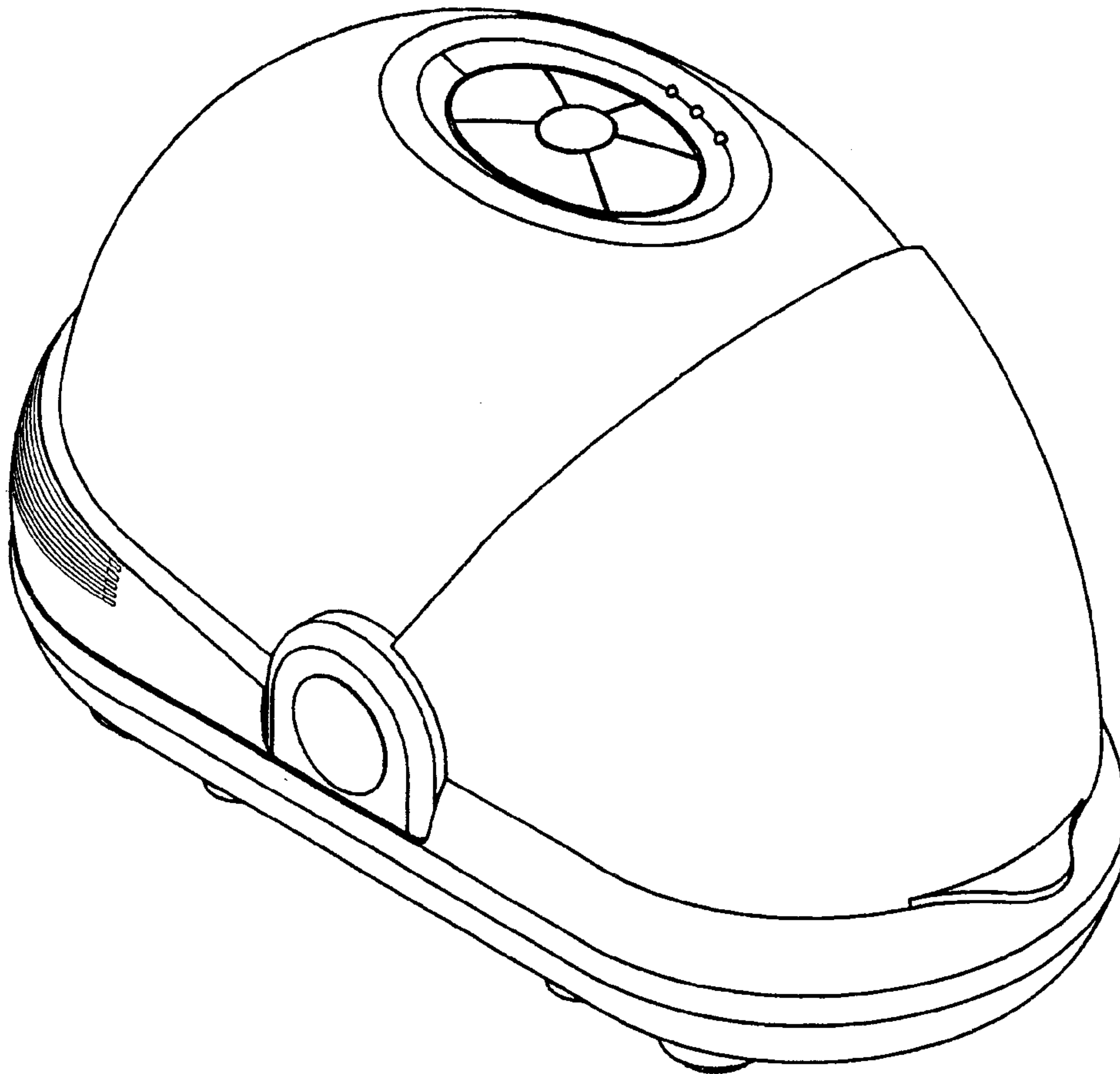


FIG. 1

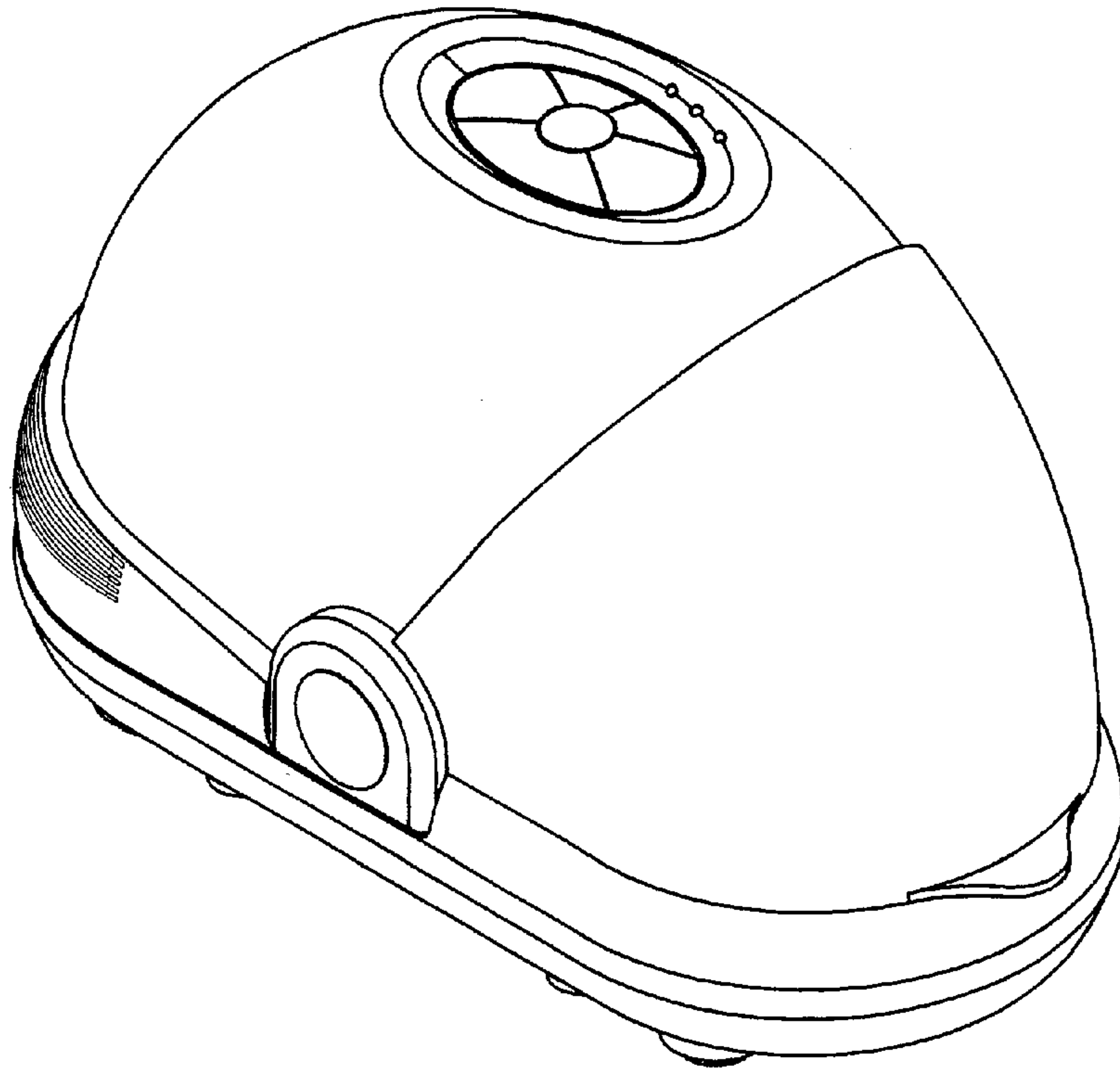


FIG. 2

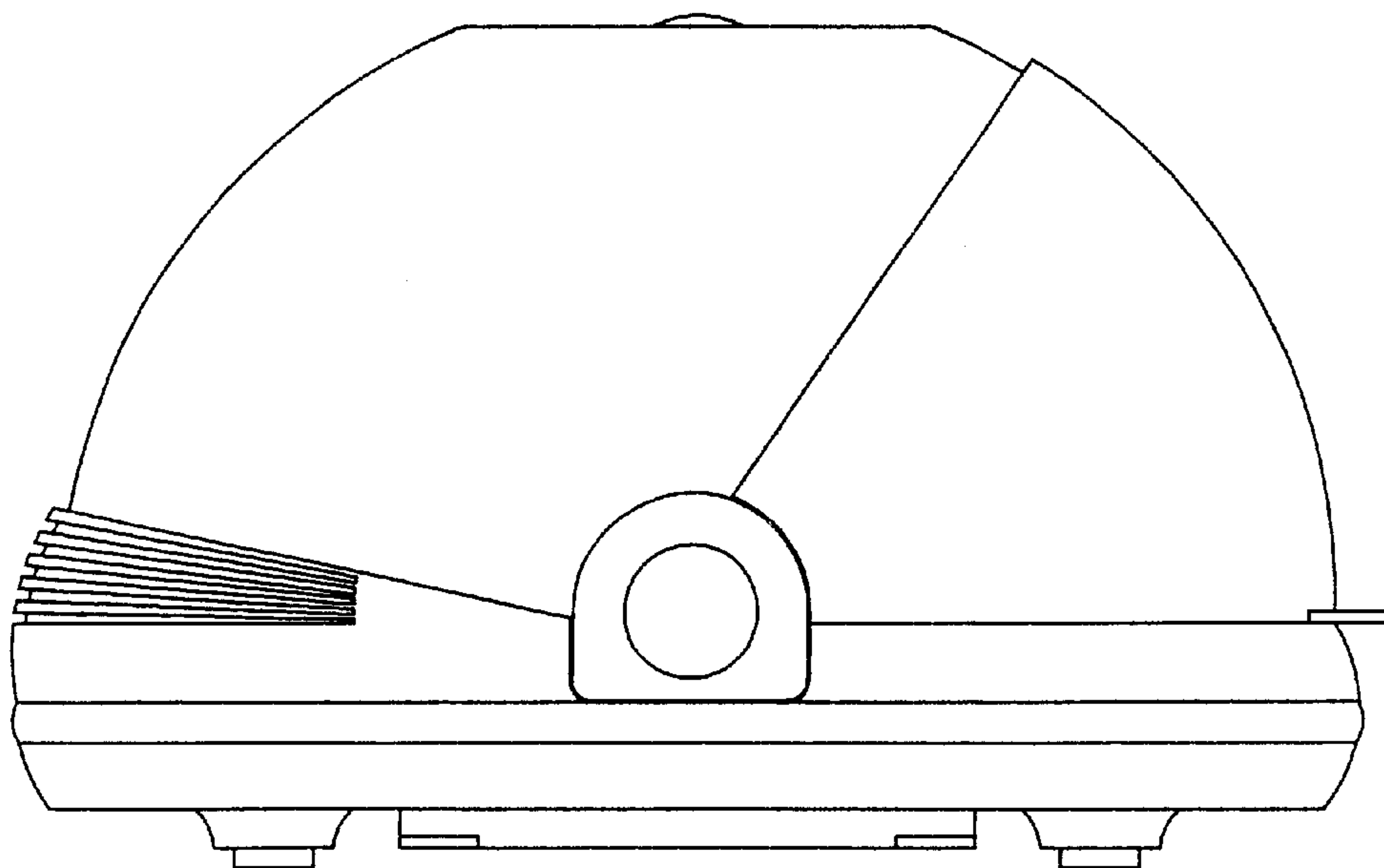


FIG. 3

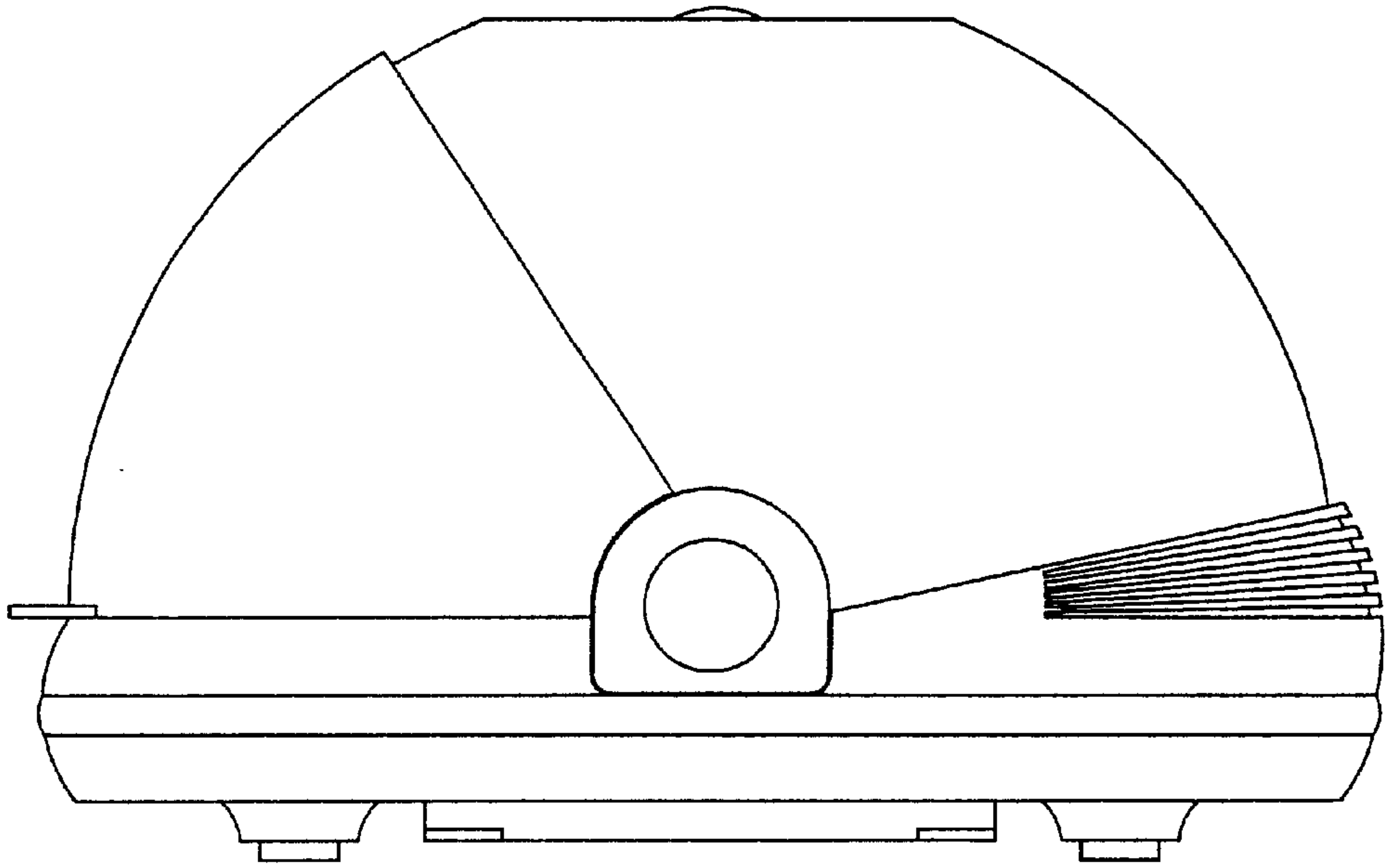


FIG. 4

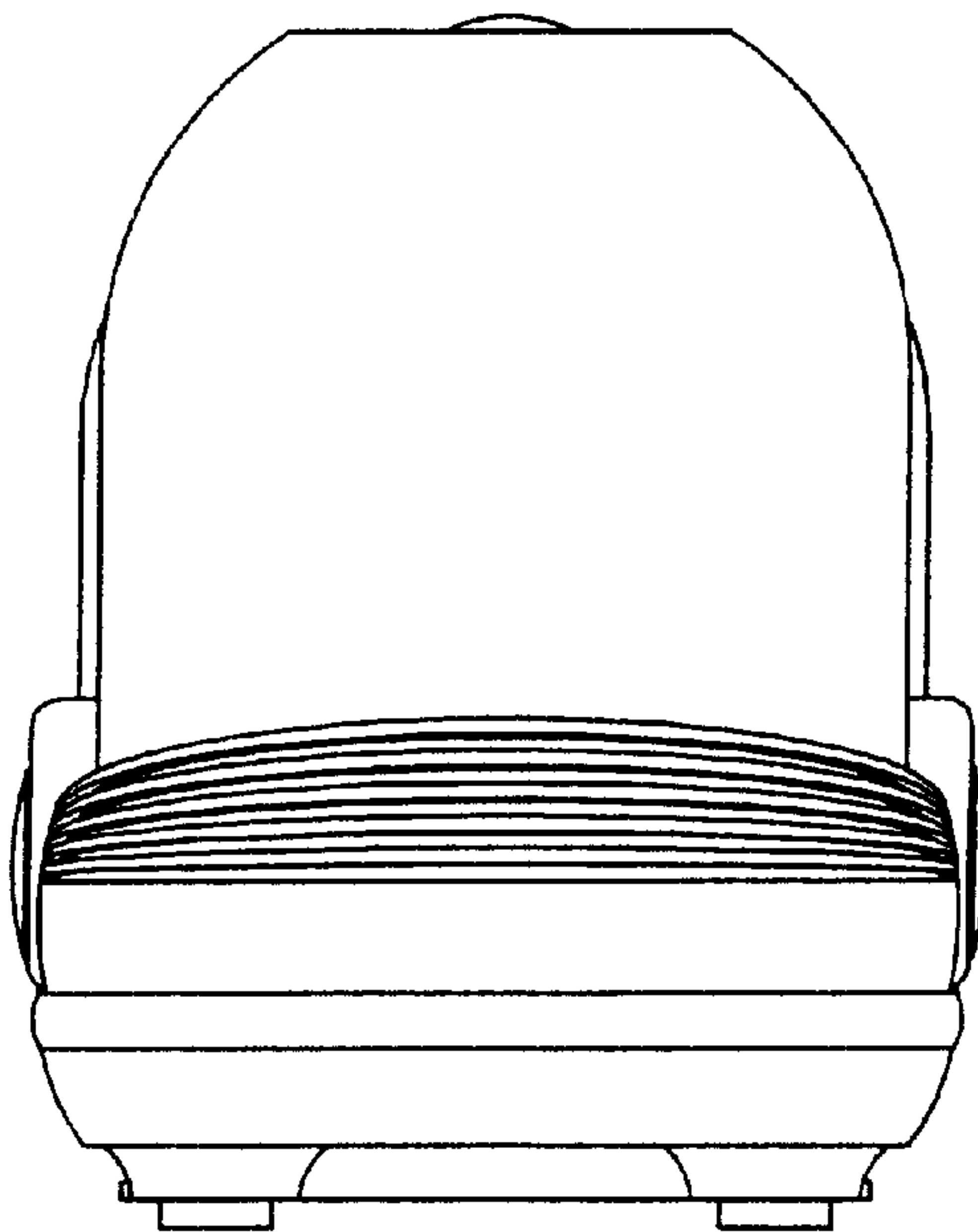


FIG. 5

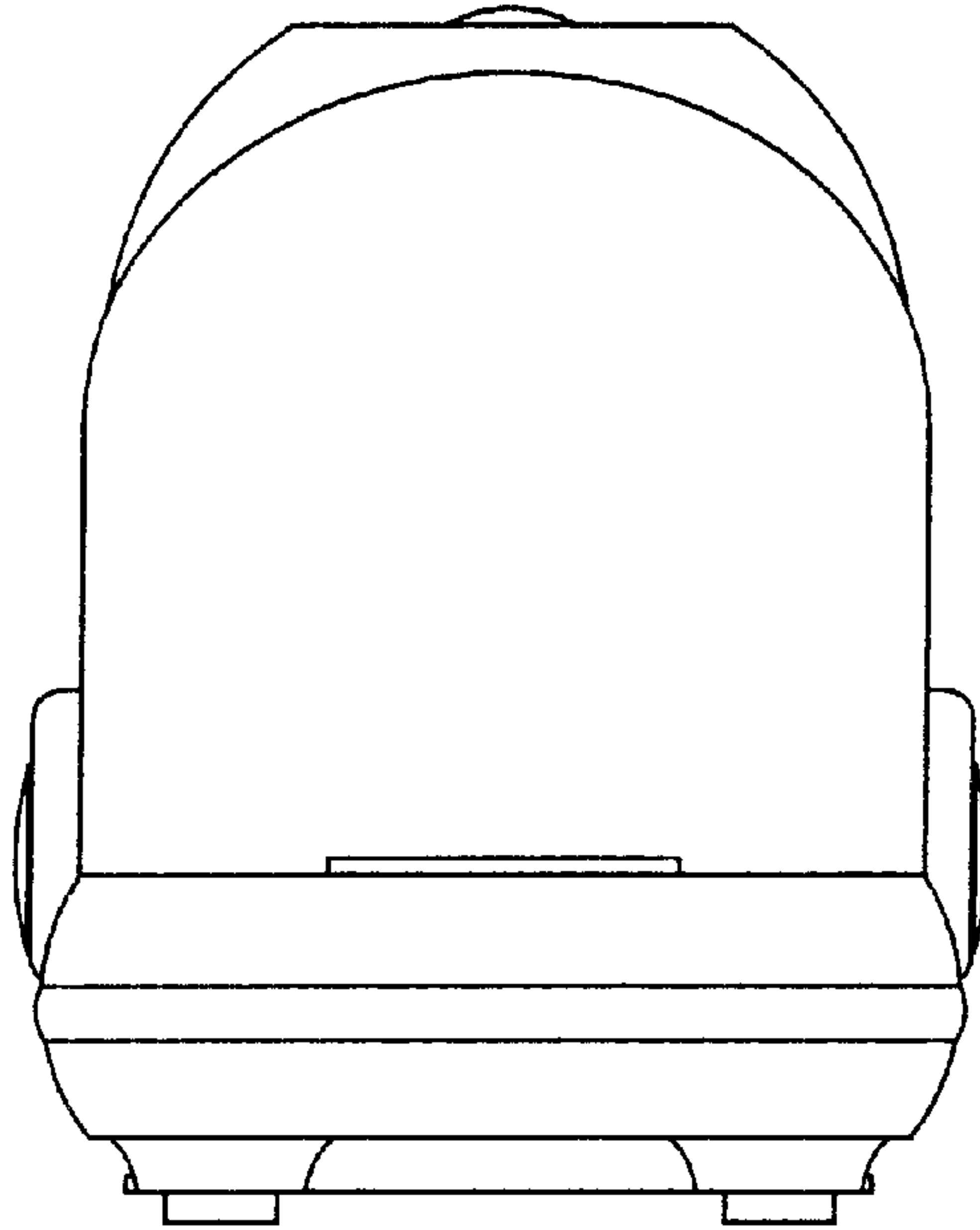


FIG. 6

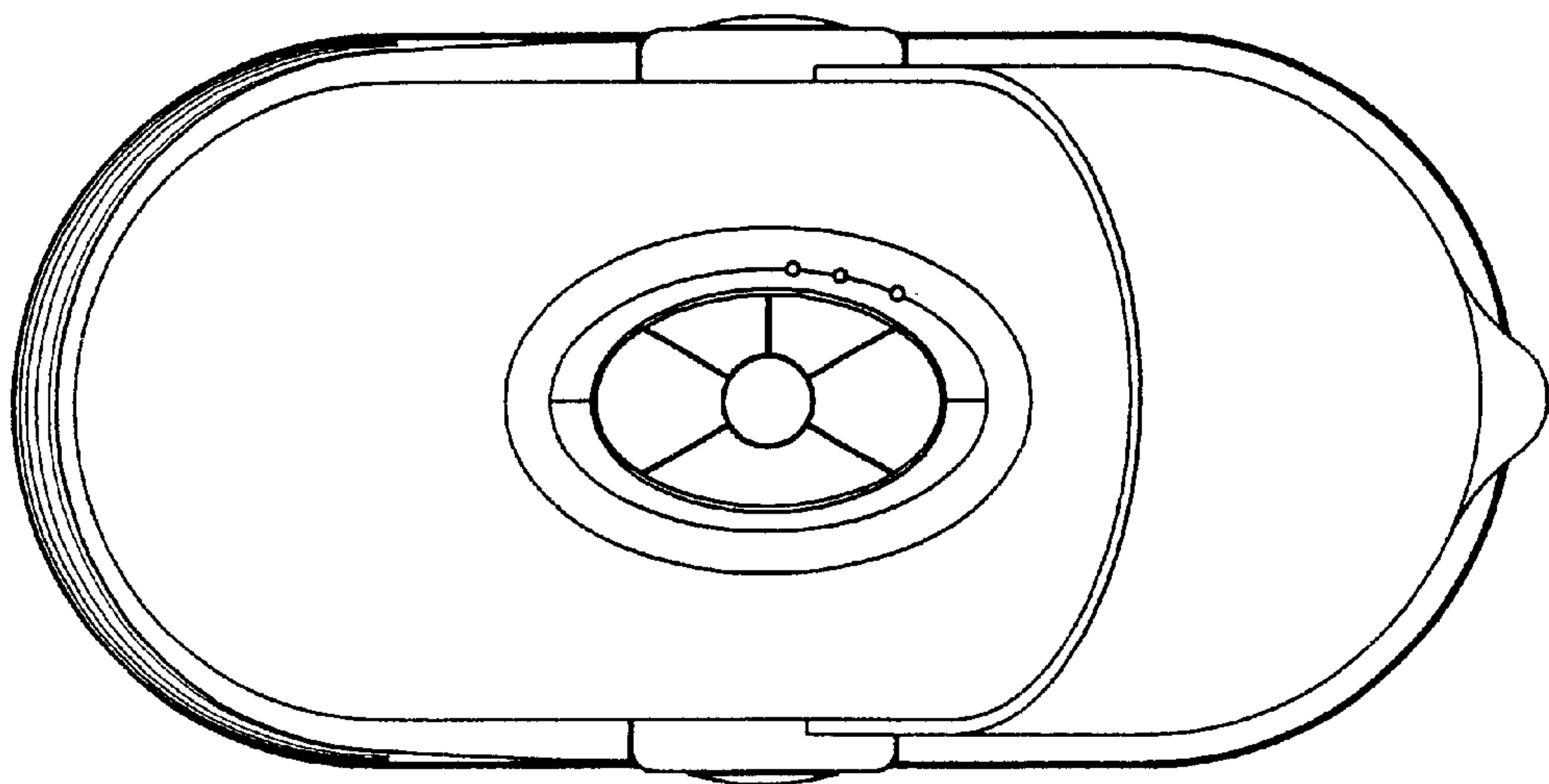


FIG. 7

