



US00D470365S

(12) **United States Design Patent**  
**Kautzky et al.**

(10) **Patent No.:** **US D470,365 S**

(45) **Date of Patent:** **\*\* Feb. 18, 2003**

(54) **DEVICE FOR ATTACHING A CONTAINER  
HOLDER TO A CYMBAL OR MICROPHONE  
STAND**

3,226,075 A \* 12/1965 Hopkins et al. .... 248/313  
5,190,257 A \* 3/1993 Gradei et al. .... 248/311.2 X  
D357,613 S \* 4/1995 Schultz ..... D7/620  
D368,411 S \* 4/1996 Delaney ..... D7/620

(76) Inventors: **Kevin Joseph Kautzky**, 10739 Kling  
St., Toluca Lake, CA (US) 91602;  
**Douglas Michael Kautzky**, 4533  
Tobias Ave., Sherman Oaks, CA (US)  
91403

\* cited by examiner

*Primary Examiner*—Terry A. Wallace

(74) *Attorney, Agent, or Firm*—Edward A. Sokolski

(\*\*) Term: **14 Years**

(57) **CLAIM**

(21) Appl. No.: **29/156,203**

The ornamental design for a device for attaching a container holder to a cymbal or microphone stand, as shown and described.

(22) Filed: **Feb. 26, 2002**

**DESCRIPTION**

(51) **LOC (7) Cl.** ..... **07-06**

(52) **U.S. Cl.** ..... **D7/620**; D14/229; D17/22

(58) **Field of Search** ..... D7/619, 620, 624;  
D14/229, 299; D17/22, 99; D8/394, 397,  
398; 215/395, 396; 220/737; 297/188.14,  
188.18; 248/309.1, 310, 311.2, 313

FIG. 1 is a top perspective view of a device for attaching a container holder to a cymbal or microphone stand showing our new design;

FIG. 2 is a top plan view thereof;

FIG. 3 is a side elevation view thereof;

FIG. 4 is a bottom plan view thereof;

FIG. 5 is a rear elevation view thereof; and,

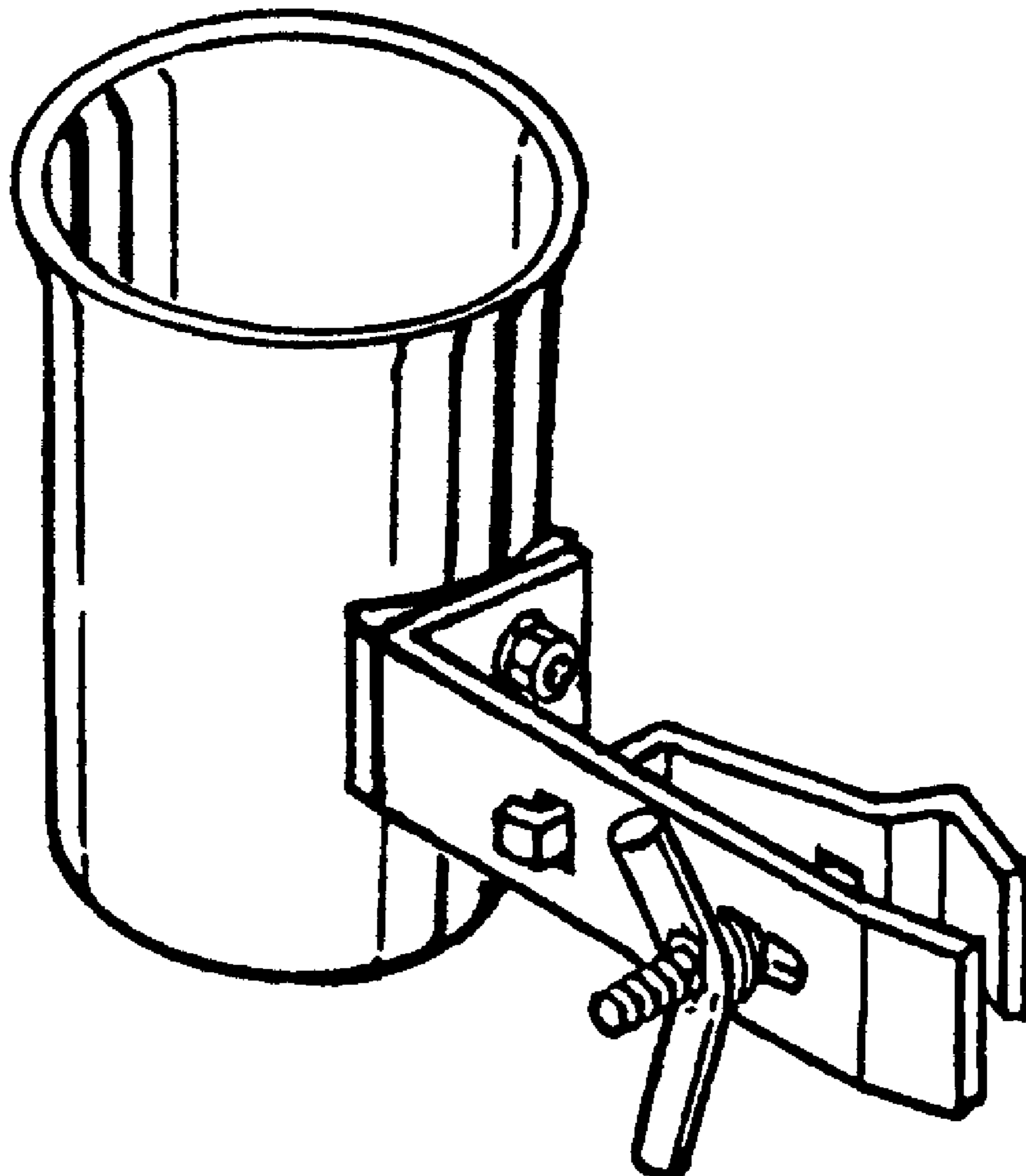
FIG. 6 is a front elevation view thereof.

(56) **References Cited**

**U.S. PATENT DOCUMENTS**

D203,055 S \* 11/1965 Robinson ..... D7/620

**1 Claim, 1 Drawing Sheet**



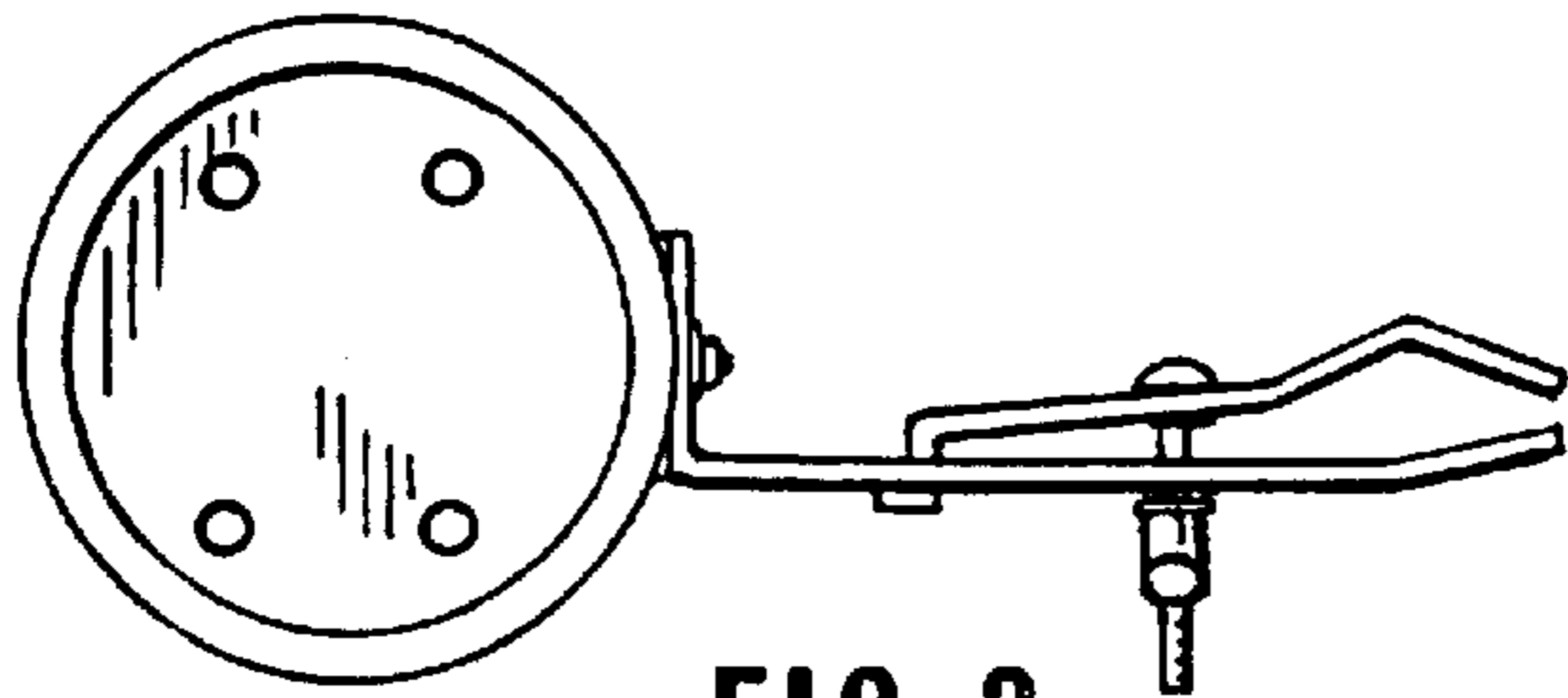


FIG. 2

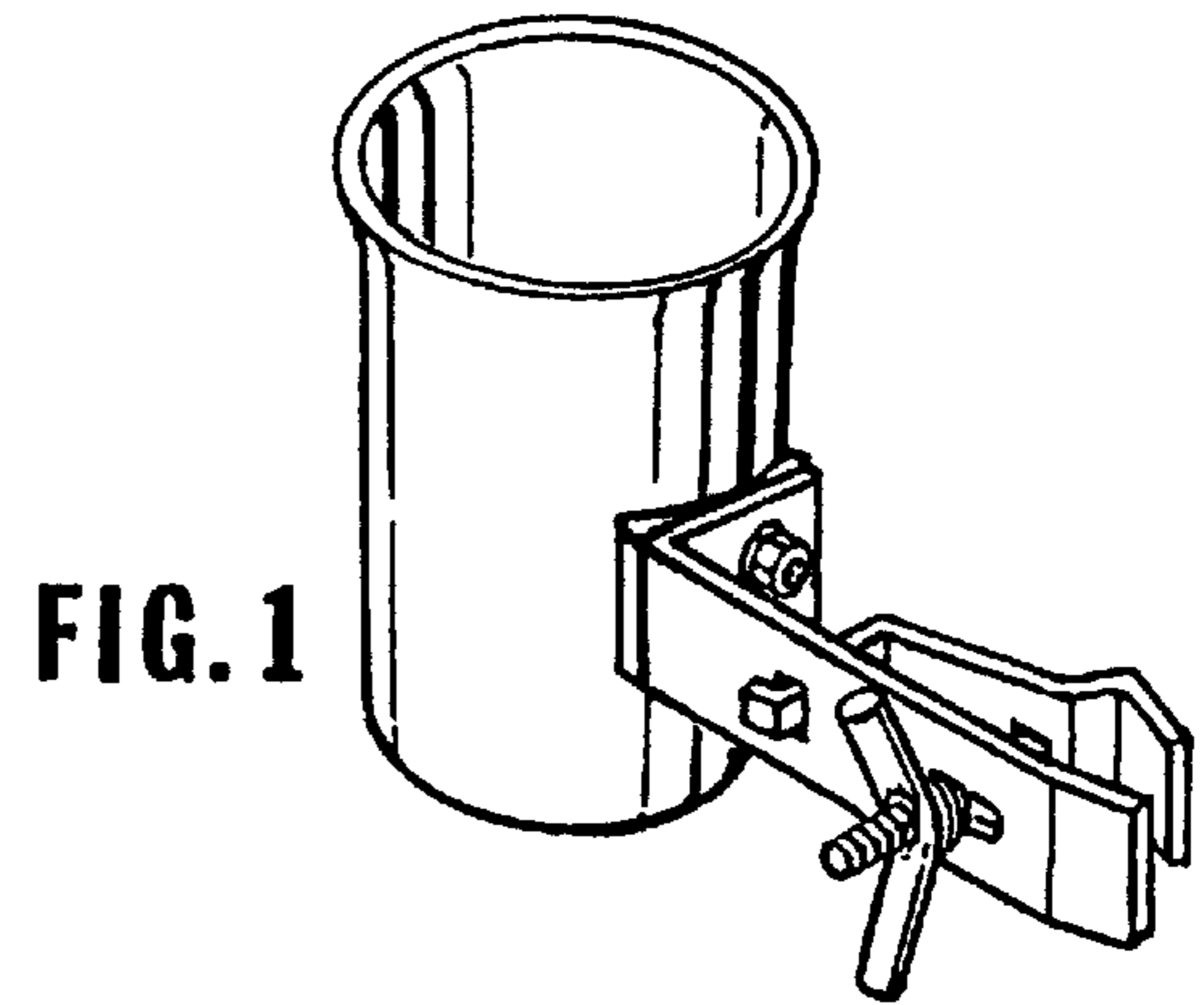


FIG. 1

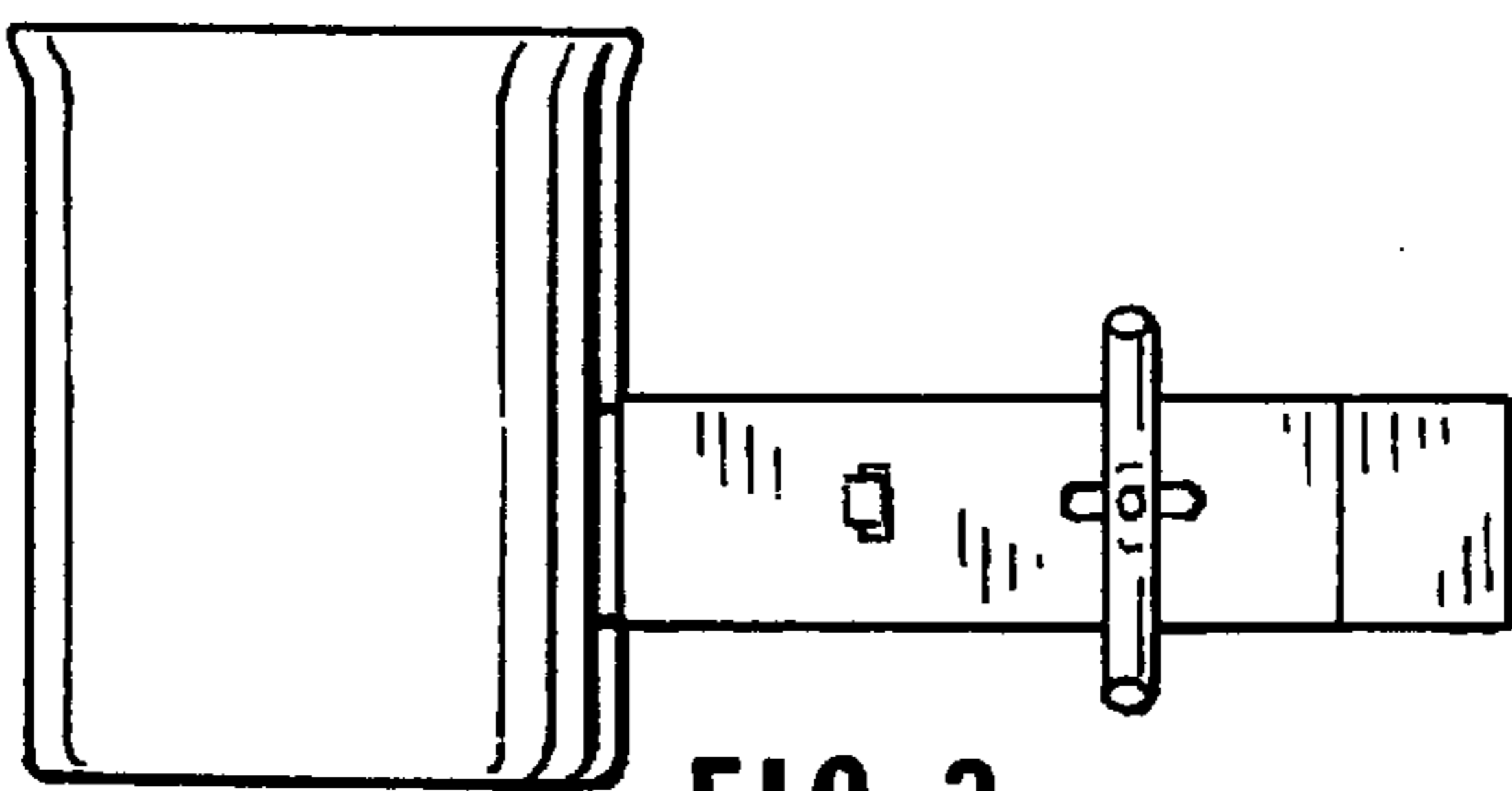


FIG. 3

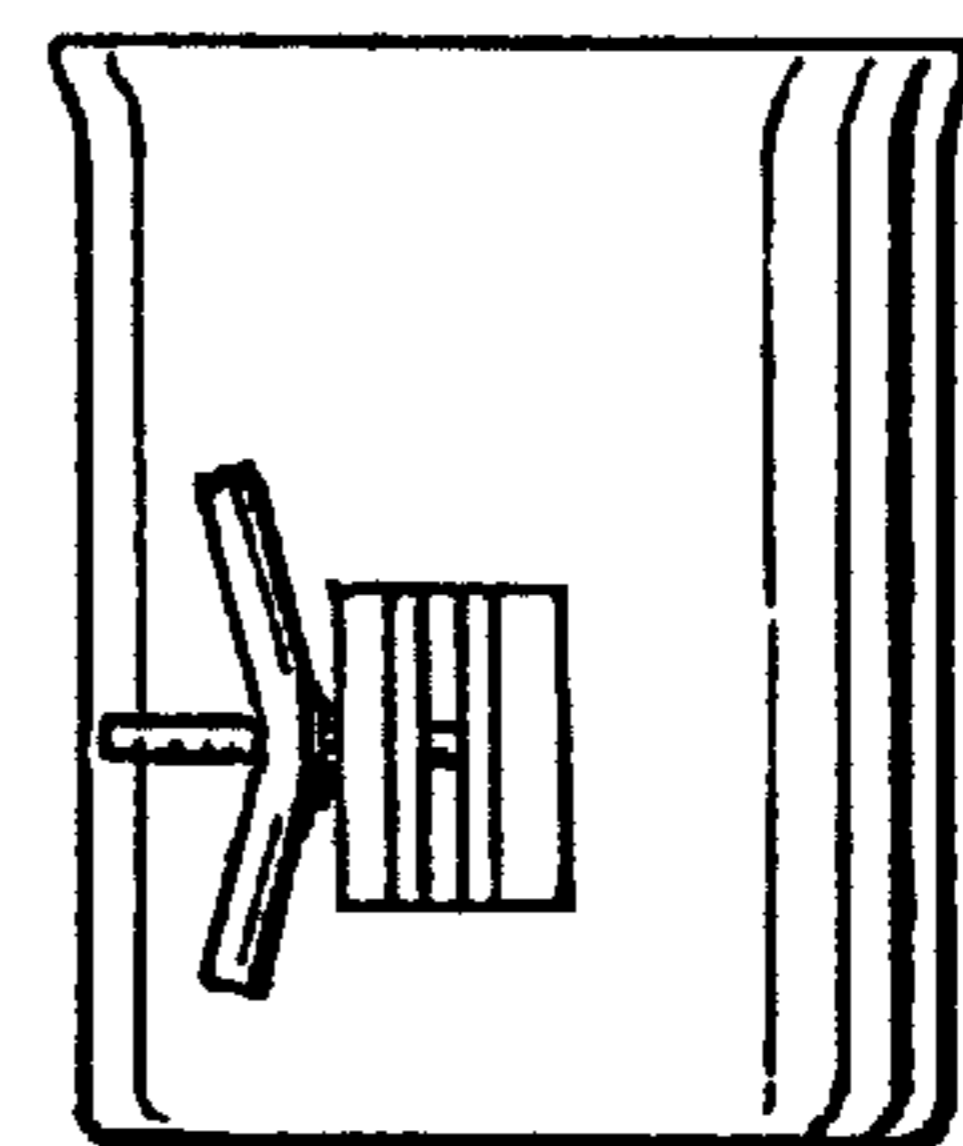


FIG. 5

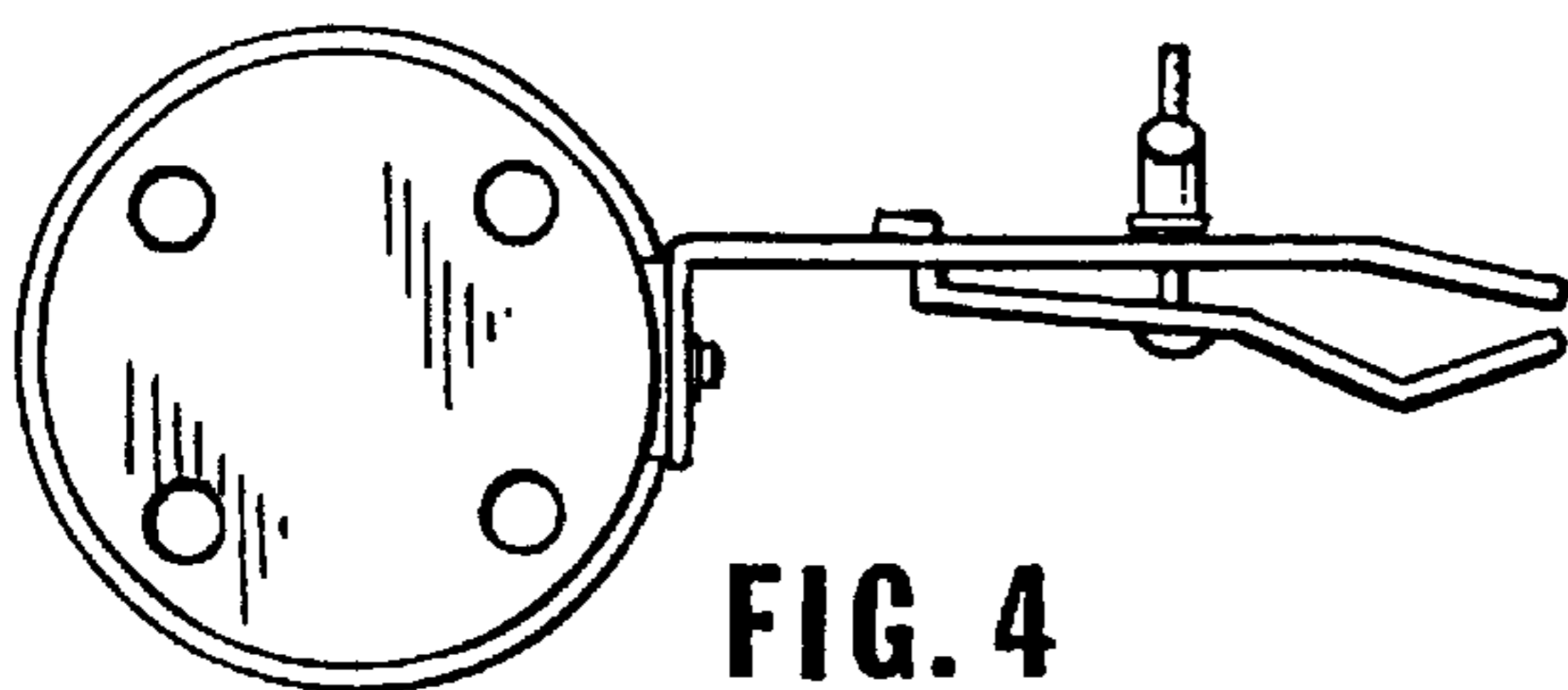


FIG. 4

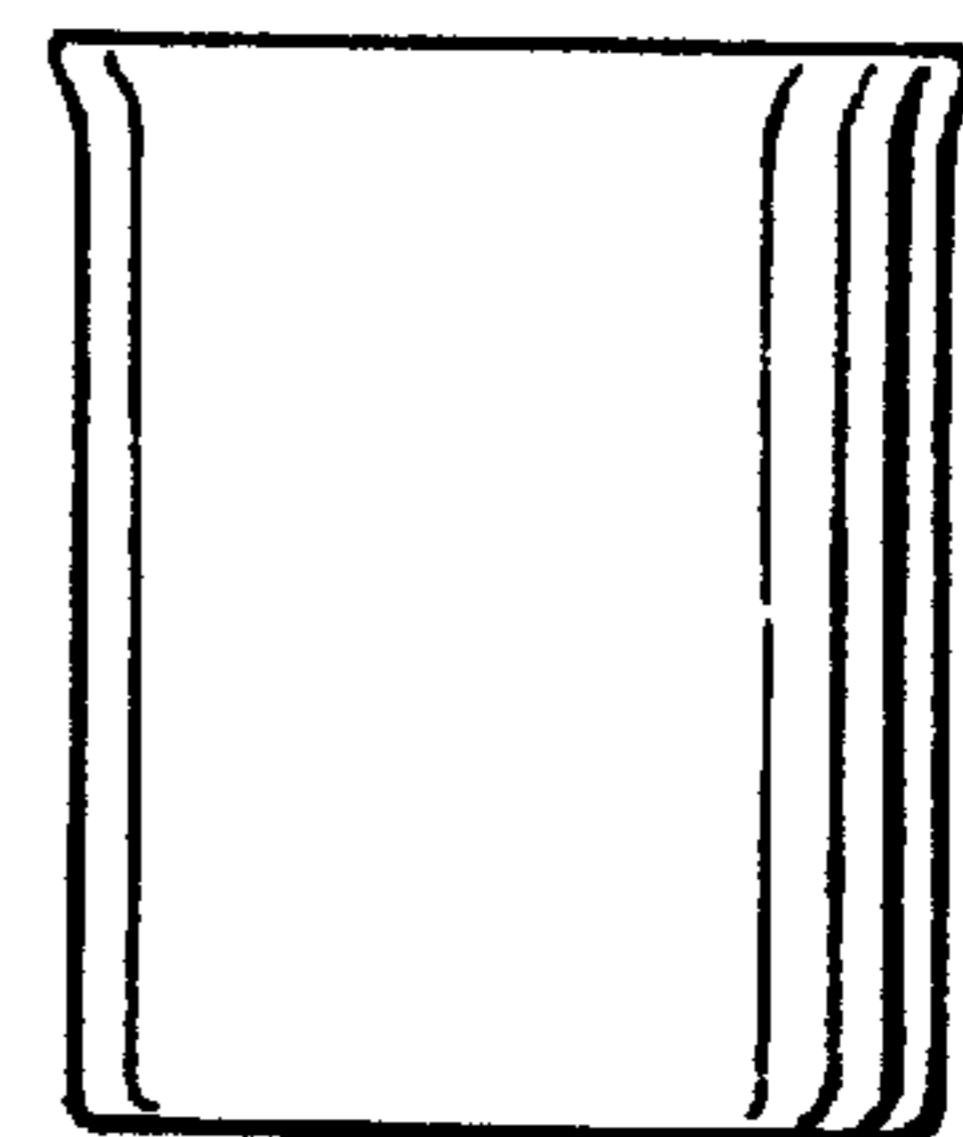


FIG. 6