



US00D470360S

(12) **United States Design Patent**  
**Stanco**

(10) **Patent No.:** **US D470,360 S**

(45) **Date of Patent:** **\*\* Feb. 18, 2003**

(54) **TACO COOKING RACK**

(76) **Inventor:** **Nicolas Stanco**, 36 Flint Pl.,  
Ronkonkoma, NY (US) 11779

(\*\*) **Term:** **14 Years**

(21) **Appl. No.:** **29/156,053**

(22) **Filed:** **Feb. 22, 2002**

(51) **LOC (7) Cl.** ..... **07-02**

(52) **U.S. Cl.** ..... **D7/409; D7/357; D7/504;**  
211/85.4

(58) **Field of Search** ..... D7/504, 354, 357,  
D7/323, 409; D9/455, 456; 99/324, 339,  
340, 376, 425, 426, 444, 448, 449; 211/85.4;  
206/746; 248/174

(56) **References Cited**

**U.S. PATENT DOCUMENTS**

- 4,603,825 A \* 8/1986 Kotliar ..... 248/174
- 4,746,010 A \* 5/1988 Fournier ..... 206/746
- 4,974,502 A \* 12/1990 Murdock ..... 99/426

- 5,487,330 A \* 1/1996 Mooney ..... 99/425
- D370,596 S \* 6/1996 Fleisher ..... D7/504
- 5,628,245 A \* 5/1997 Baze ..... 99/426
- 6,273,278 B1 \* 8/2001 Enyedy et al. .... 211/85.4

\* cited by examiner

*Primary Examiner*—Caron D. Veynar

(74) *Attorney, Agent, or Firm*—Goldstein & Lavas, P.C.

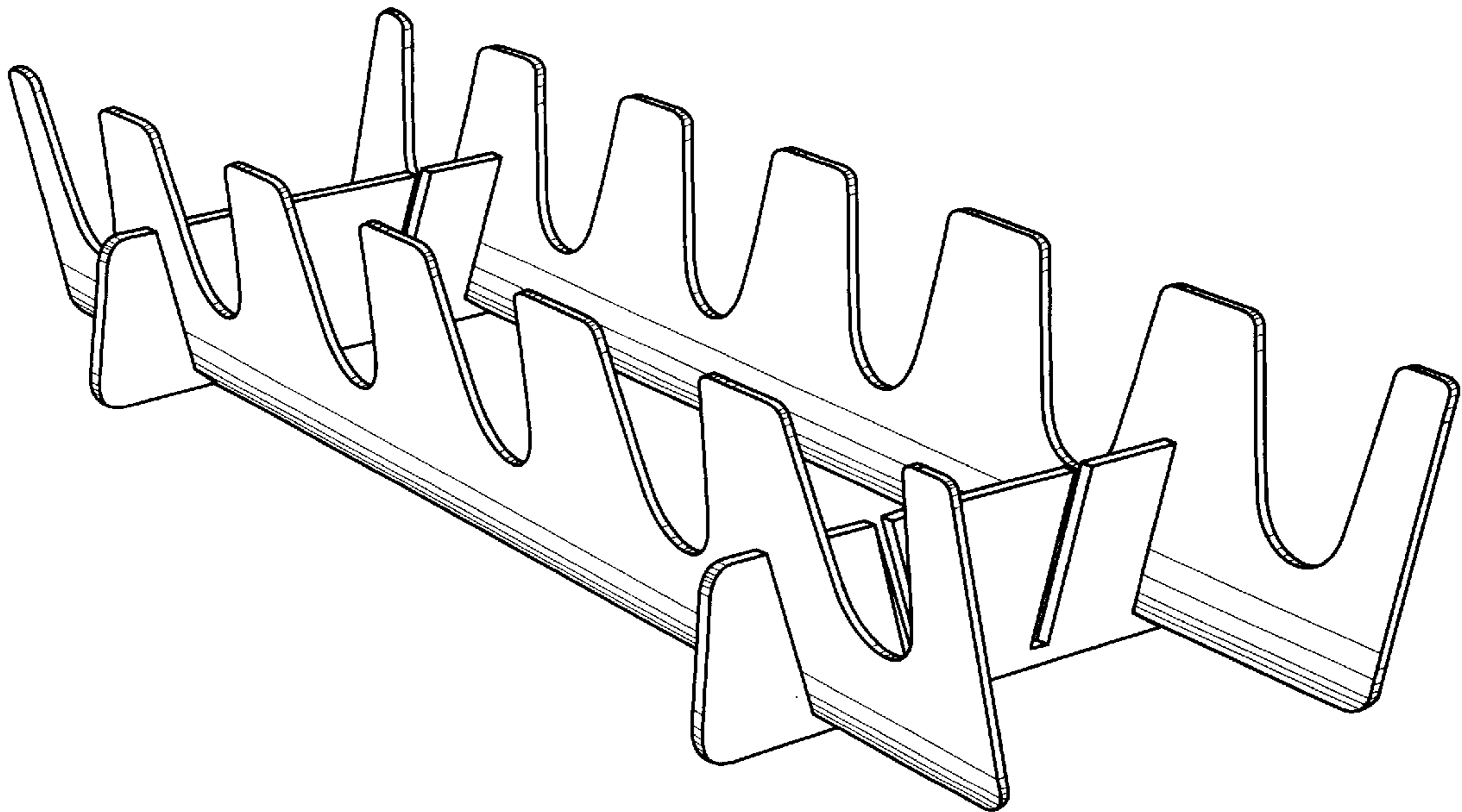
(57) **CLAIM**

The ornamental design for a taco cooking rack, as shown and described.

**DESCRIPTION**

- FIG. 1 is a perspective view of a taco cooking rack.
- FIG. 2 is a front elevational view thereof.
- FIG. 3 is a rear elevational view thereof.
- FIG. 4 is a left side elevational view thereof.
- FIG. 5 is a right side elevational view thereof.
- FIG. 6 is a top plan view of the taco cooking rack; and,
- FIG. 7 is a bottom plan view thereof.

**1 Claim, 4 Drawing Sheets**



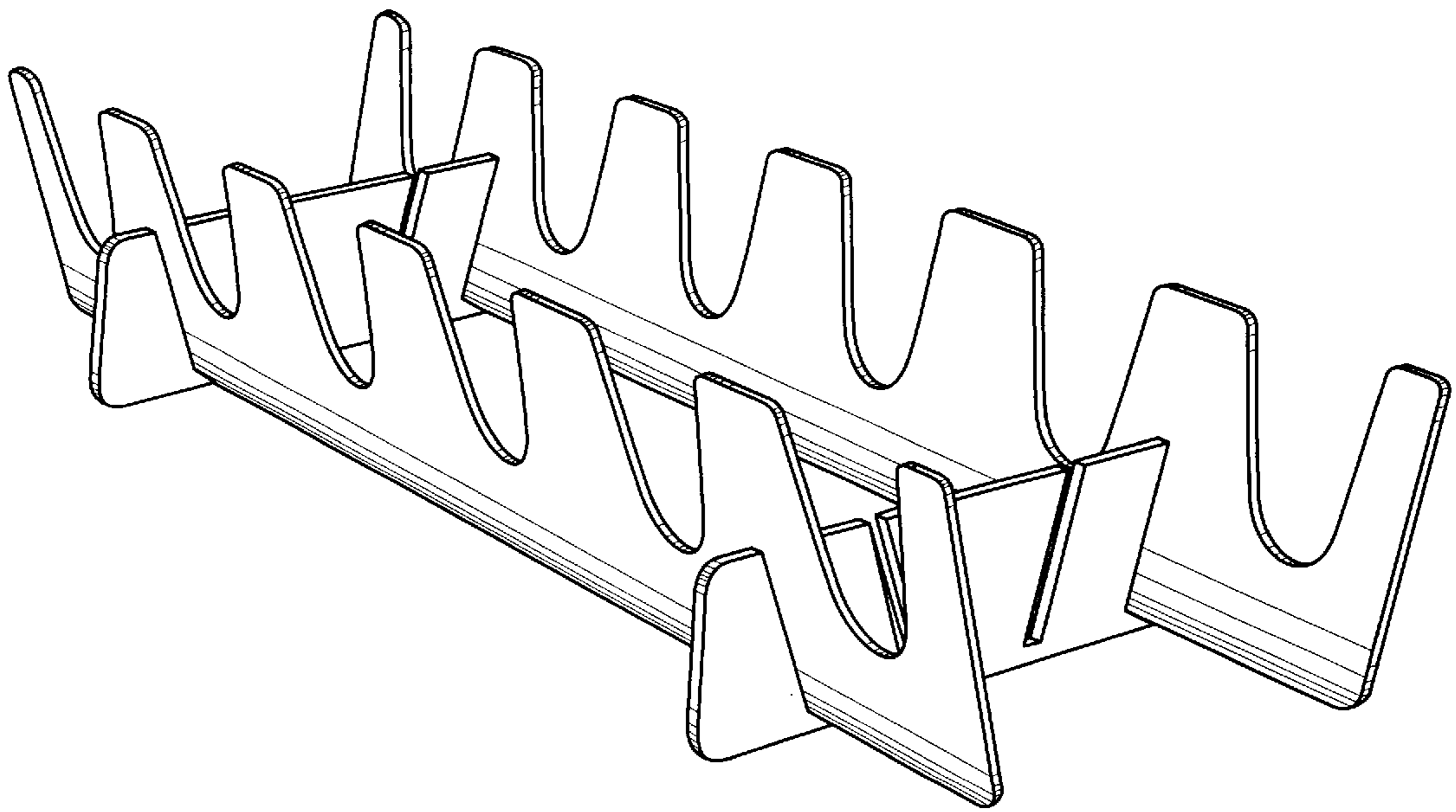


FIG. 1

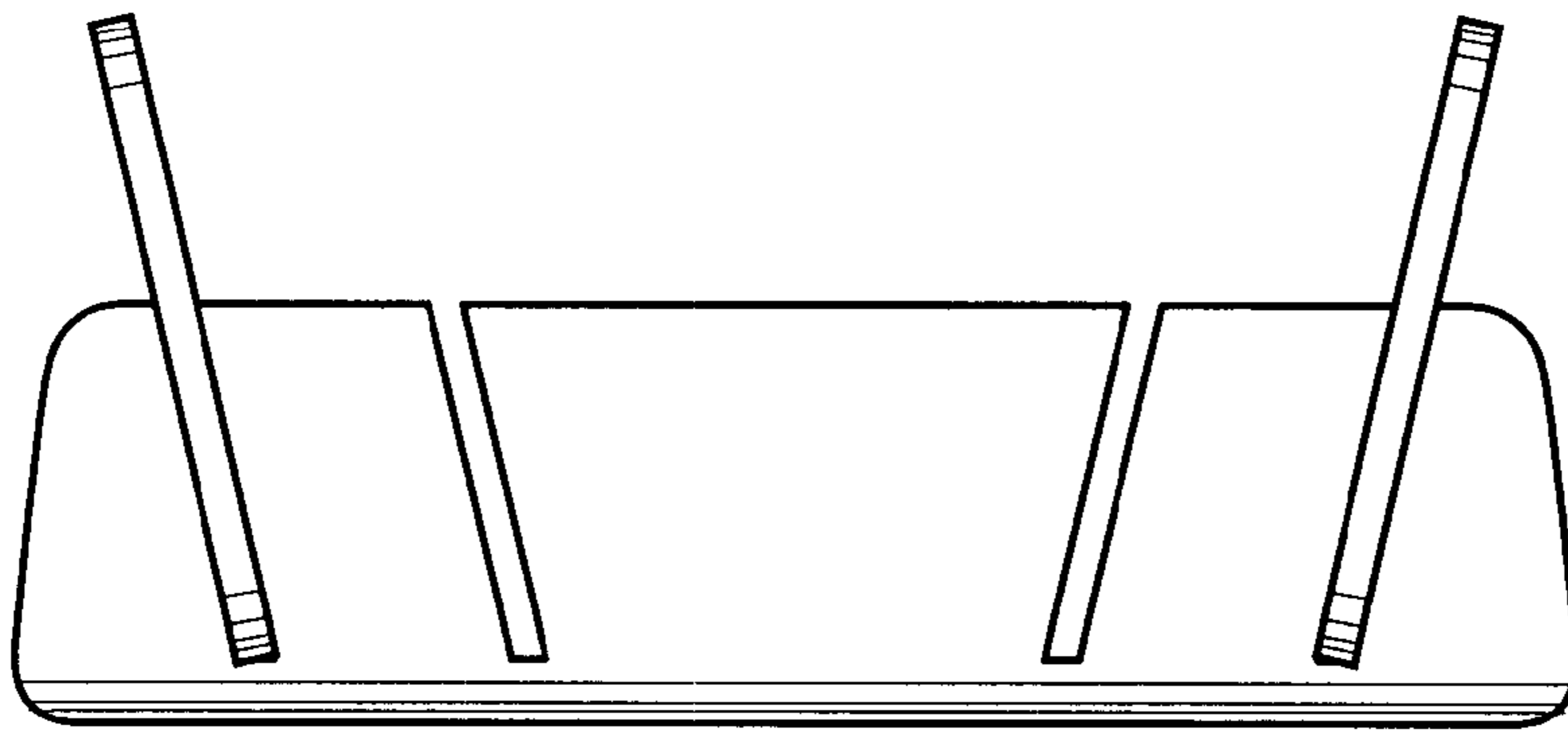


FIG. 2

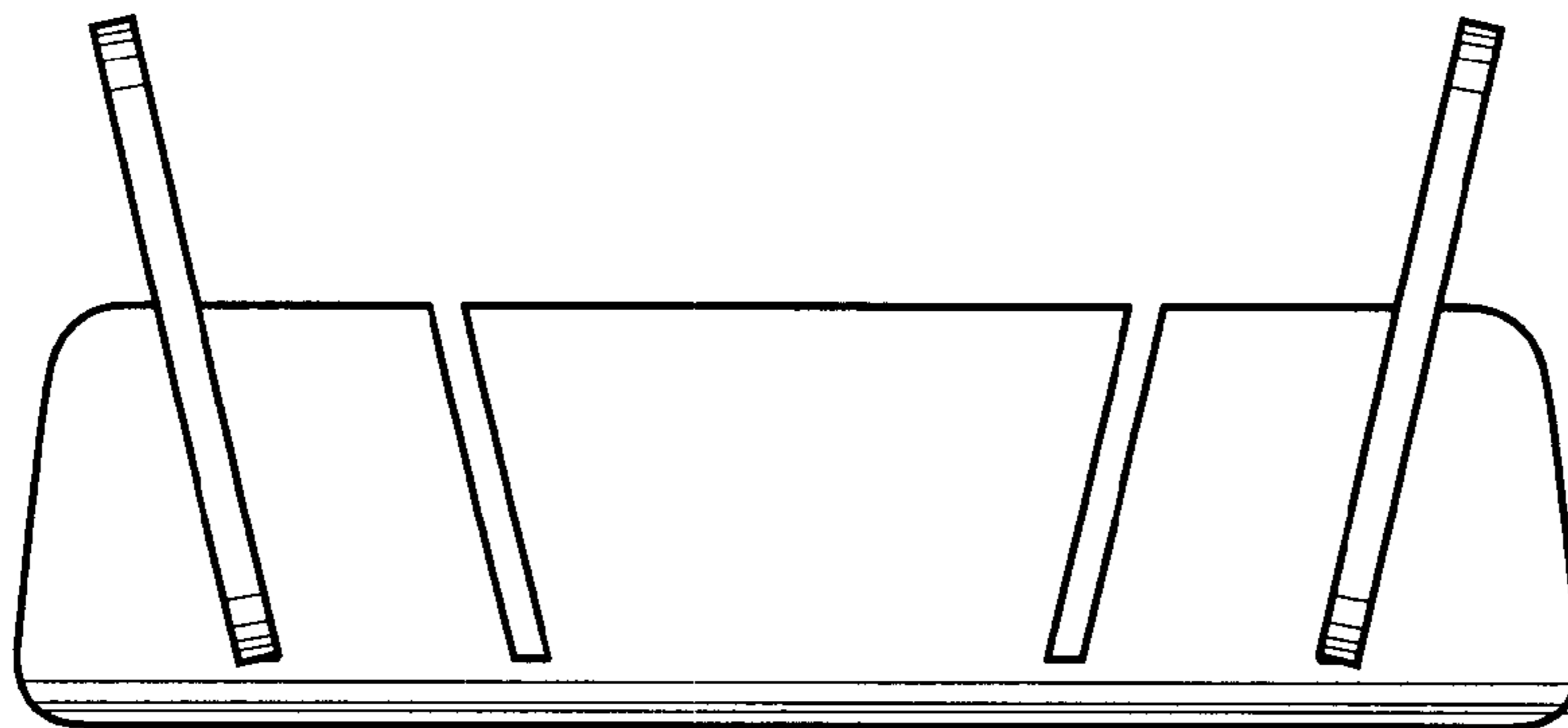


FIG. 3

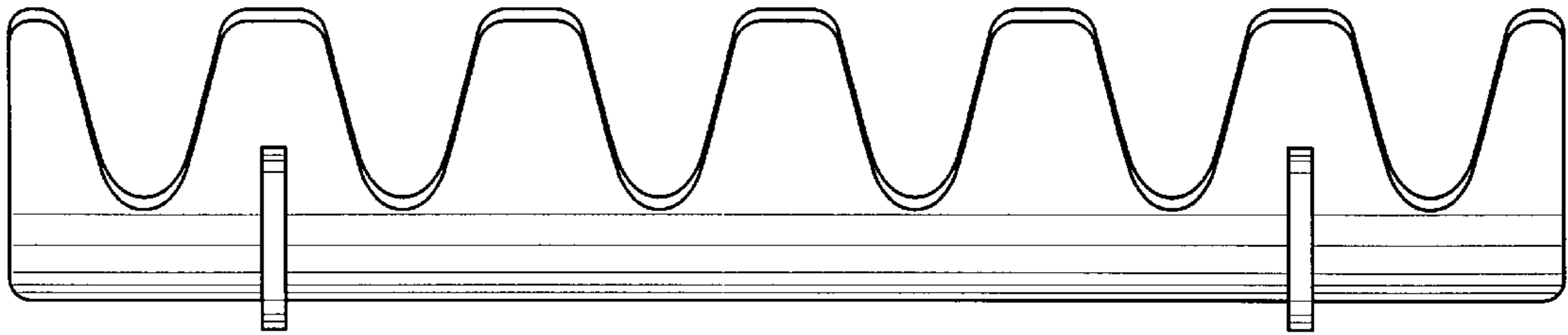


FIG. 4

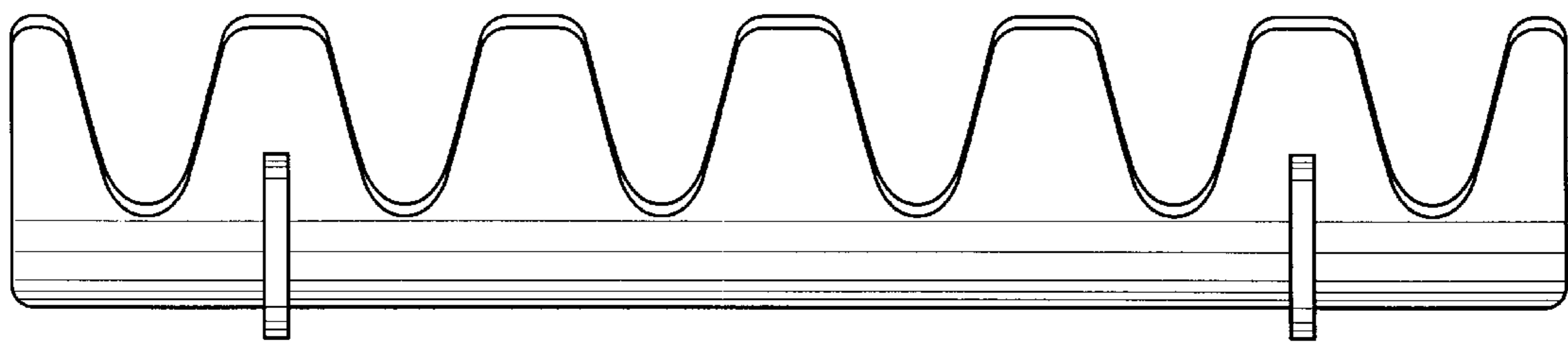


FIG. 5

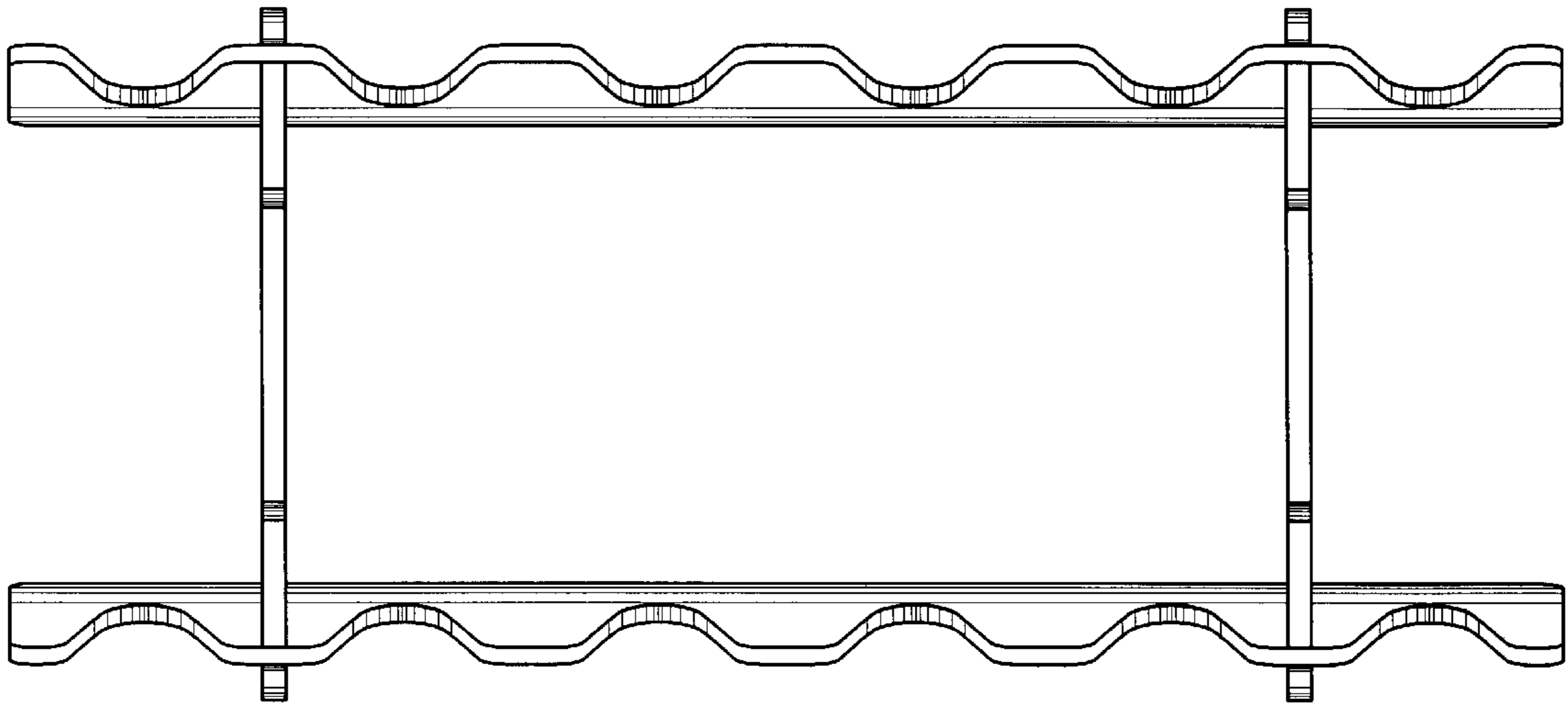


FIG. 6

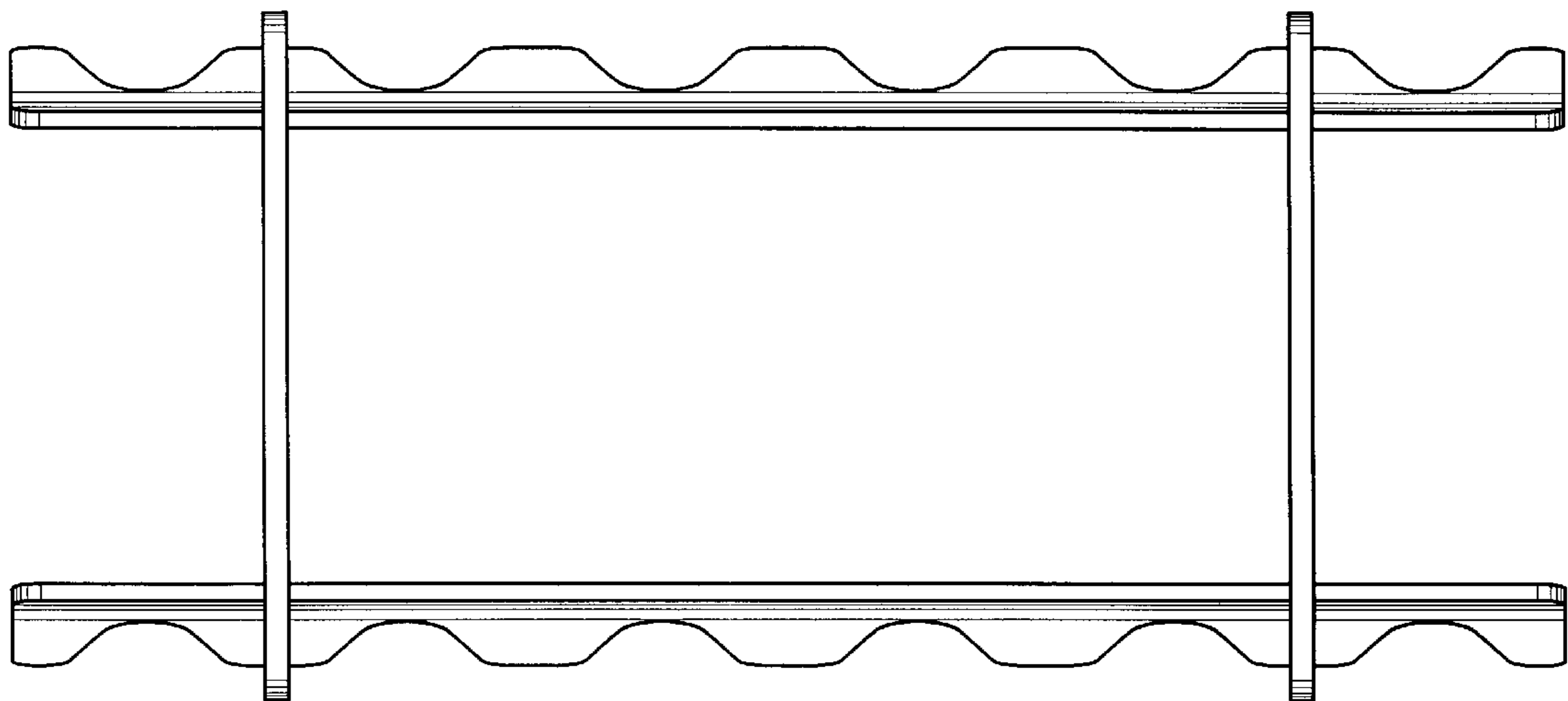


FIG. 7