



US00D470358S

(12) **United States Design Patent**  
**Wellner**

(10) **Patent No.:** **US D470,358 S**

(45) **Date of Patent:** **\*\* Feb. 18, 2003**

(54) **SKILLET**

(75) Inventor: **Lucie L. Wellner**, Pompey, NY (US)

(73) Assignee: **Syracuse China Company**, Syracuse, NY (US)

(\*\*) Term: **14 Years**

(21) Appl. No.: **29/156,686**

(22) Filed: **Mar. 7, 2002**

(51) **LOC (7) Cl.** ..... **07-02**

(52) **U.S. Cl.** ..... **D7/361**

(58) **Field of Search** ..... D7/323, 354-361;  
99/324, 339, 340; 220/573.1-573.4, 912

(56) **References Cited**

**U.S. PATENT DOCUMENTS**

D28,363 S	*	3/1898	Miller	.....	D7/357
1,406,399 A	*	2/1922	Lumby	.....	220/573.4
D135,977 S	*	7/1943	Poglein	.....	D7/361
D160,132 S	*	9/1950	Stephen	.....	D7/361
D175,713 S	*	10/1955	Cunningham	.....	D7/361
D204,145 S	*	3/1966	De Puy	.....	D7/361

\* cited by examiner

*Primary Examiner*—Caron D. Veynar

(74) *Attorney, Agent, or Firm*—Emch, Schaffer, Schaub & Porcello Co., L.P.A.

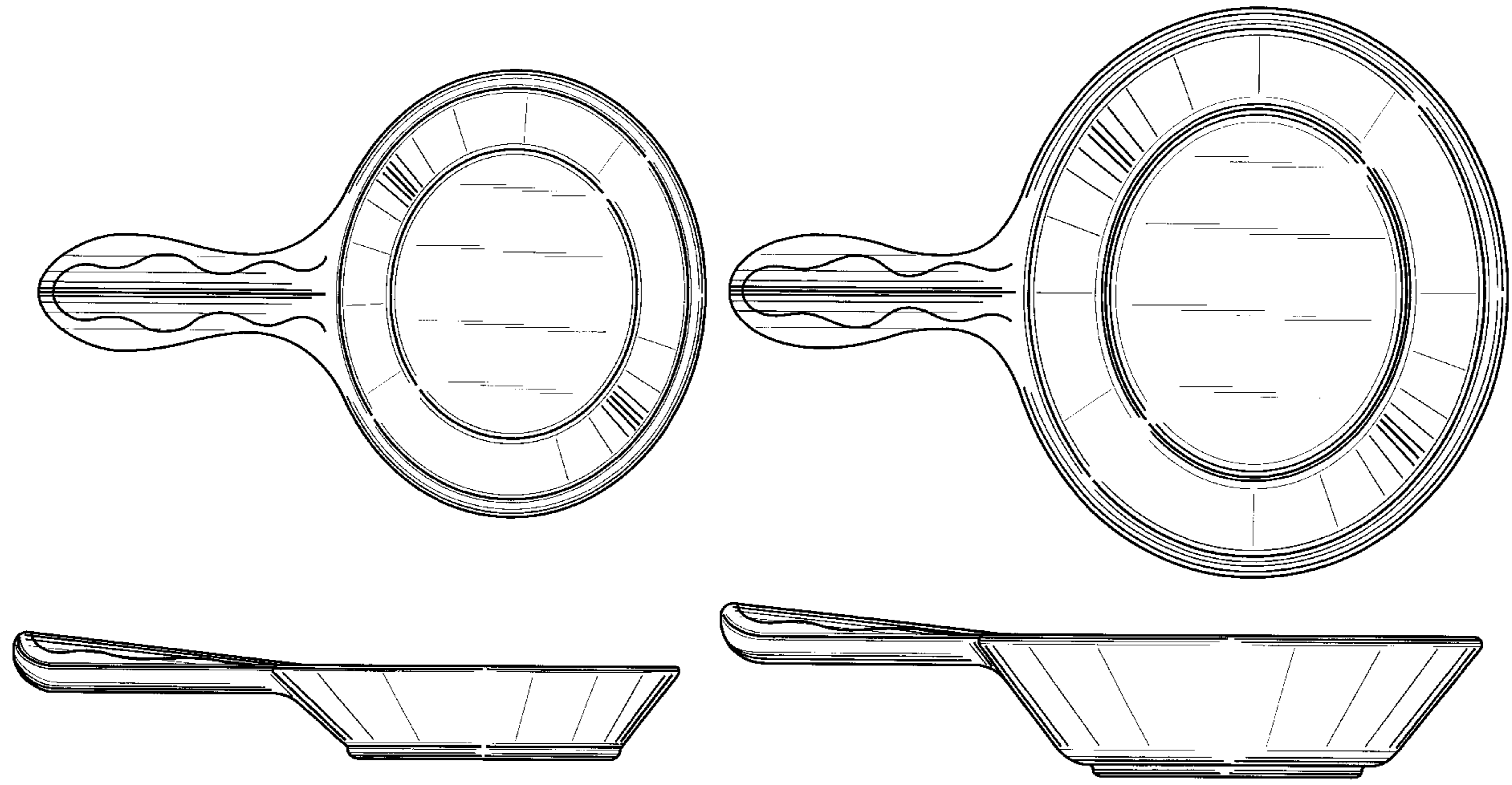
(57) **CLAIM**

The ornamental design for a skillet, as shown and described.

**DESCRIPTION**

FIG. 1 is a top view of a first embodiment skillet according to the present design;  
 FIG. 2 is a front elevational view thereof; the back elevational view being a mirror image thereof;  
 FIG. 3 is a bottom view thereof;  
 FIG. 4 is a first side elevational view thereof;  
 FIG. 5 is a second side elevational view thereof;  
 FIG. 6 is a top elevational view of a second embodiment skillet according to the present design;  
 FIG. 7 is a front elevational view thereof; the back elevational view being a mirror image thereof;  
 FIG. 8 is bottom view thereof;  
 FIG. 9 is a first side elevational view thereof; and,  
 FIG. 10 is a second side elevational view thereof.

**1 Claim, 8 Drawing Sheets**



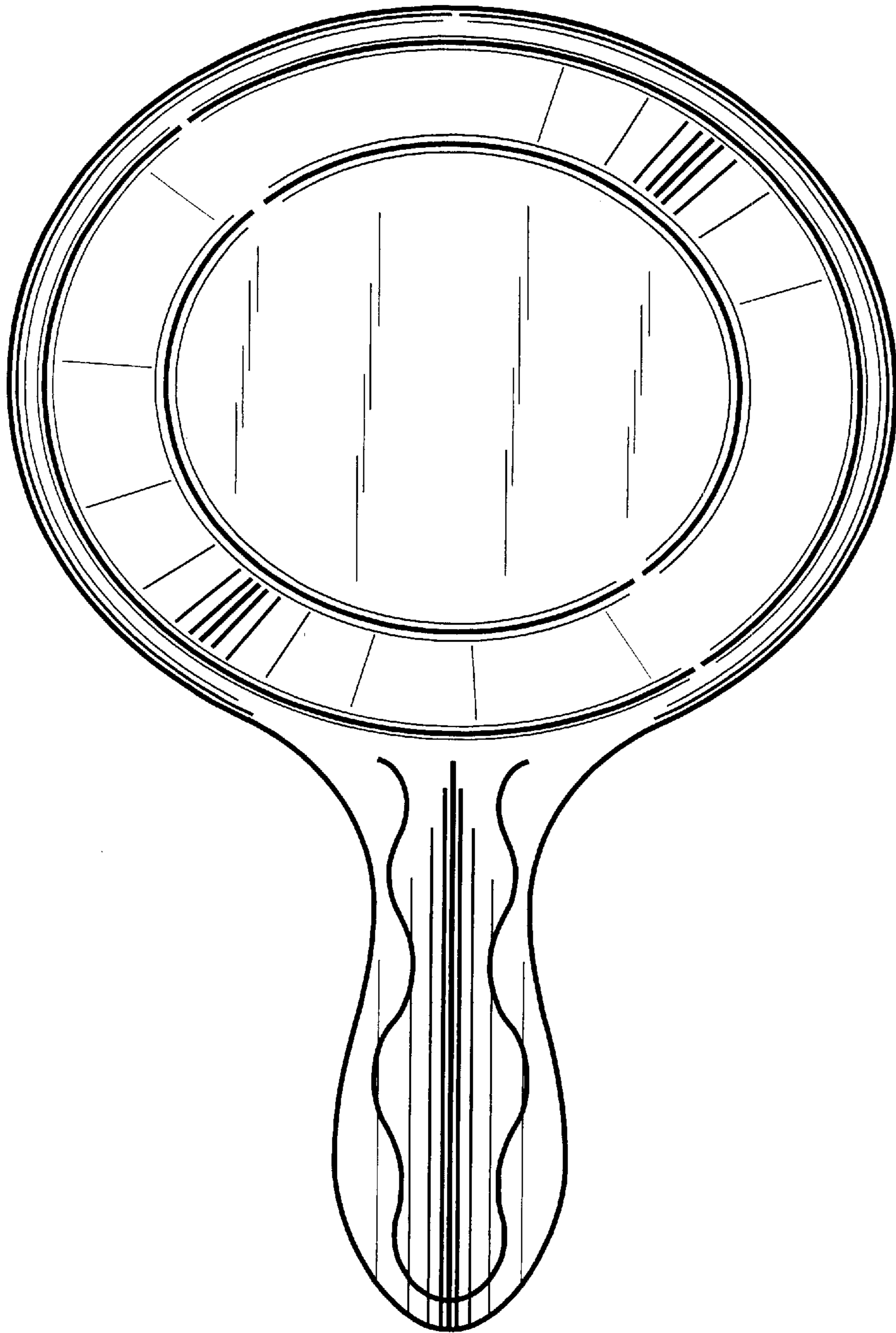


FIG. 1

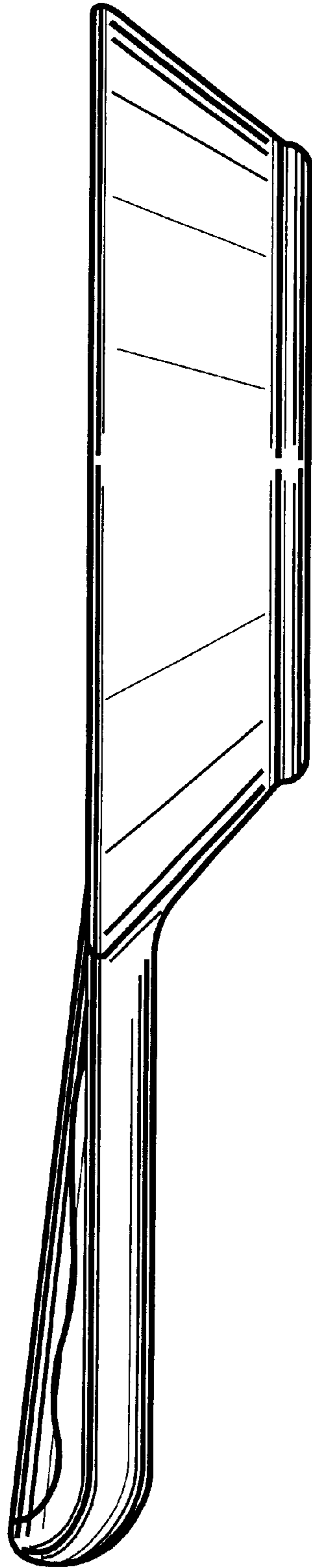


FIG. 2

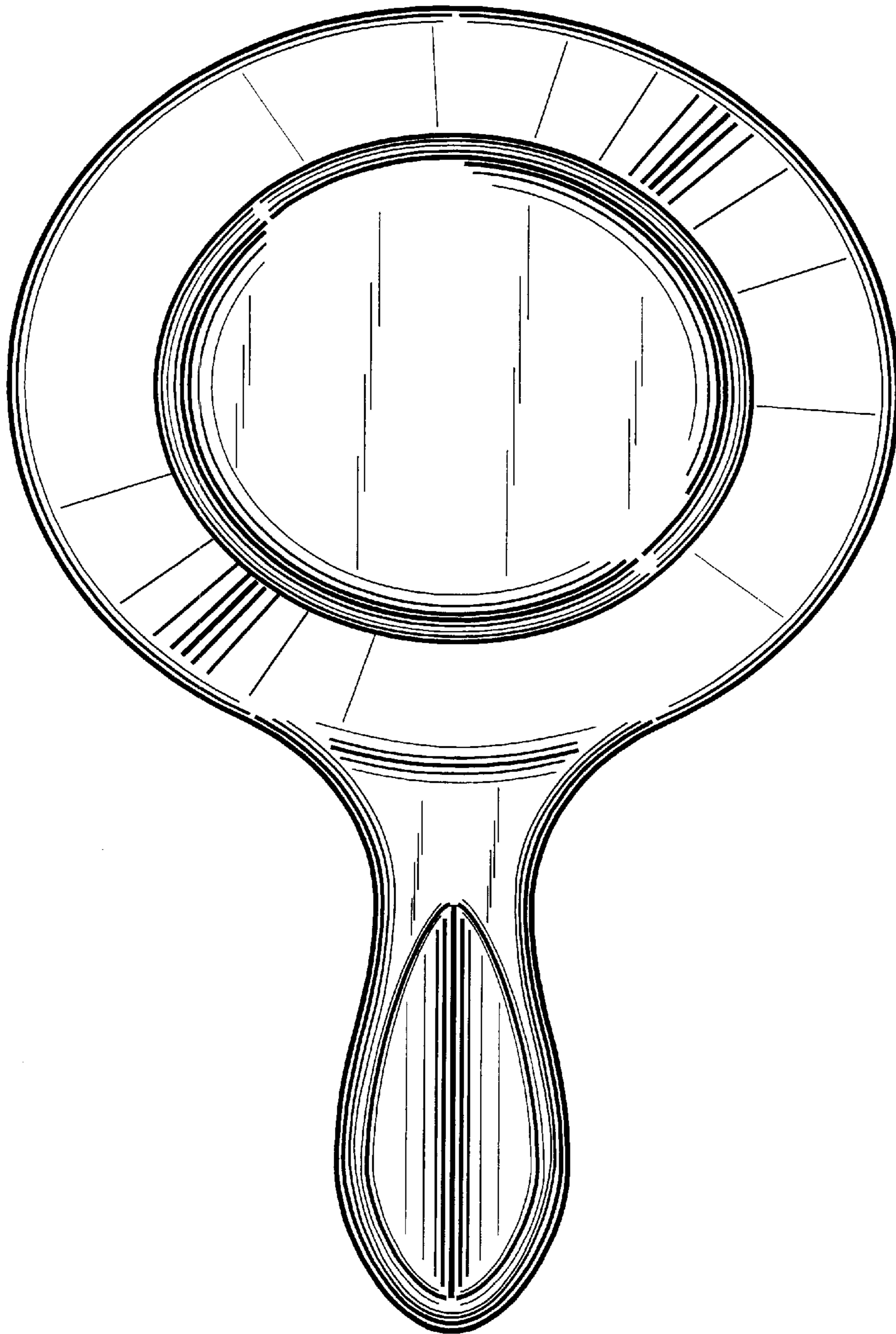
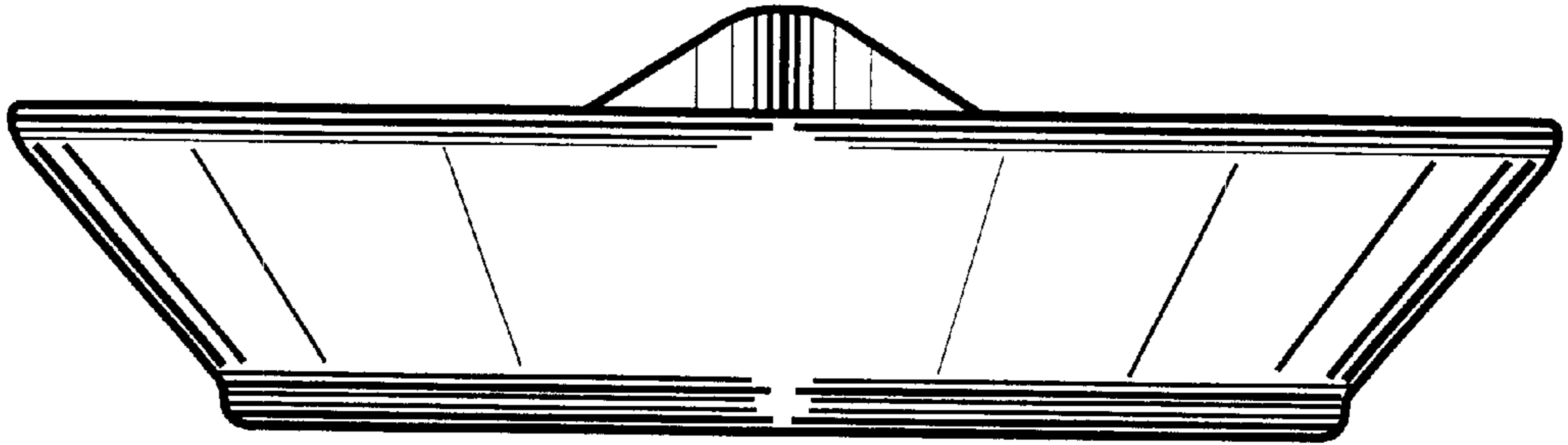
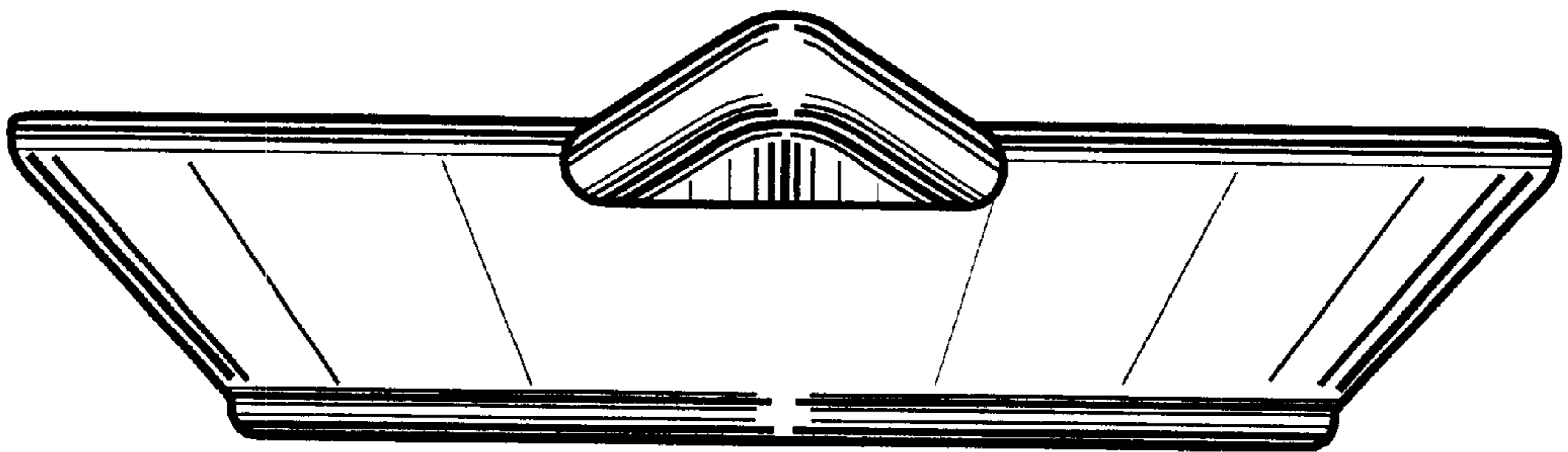


FIG. 3



—FIG. 4



—FIG. 5

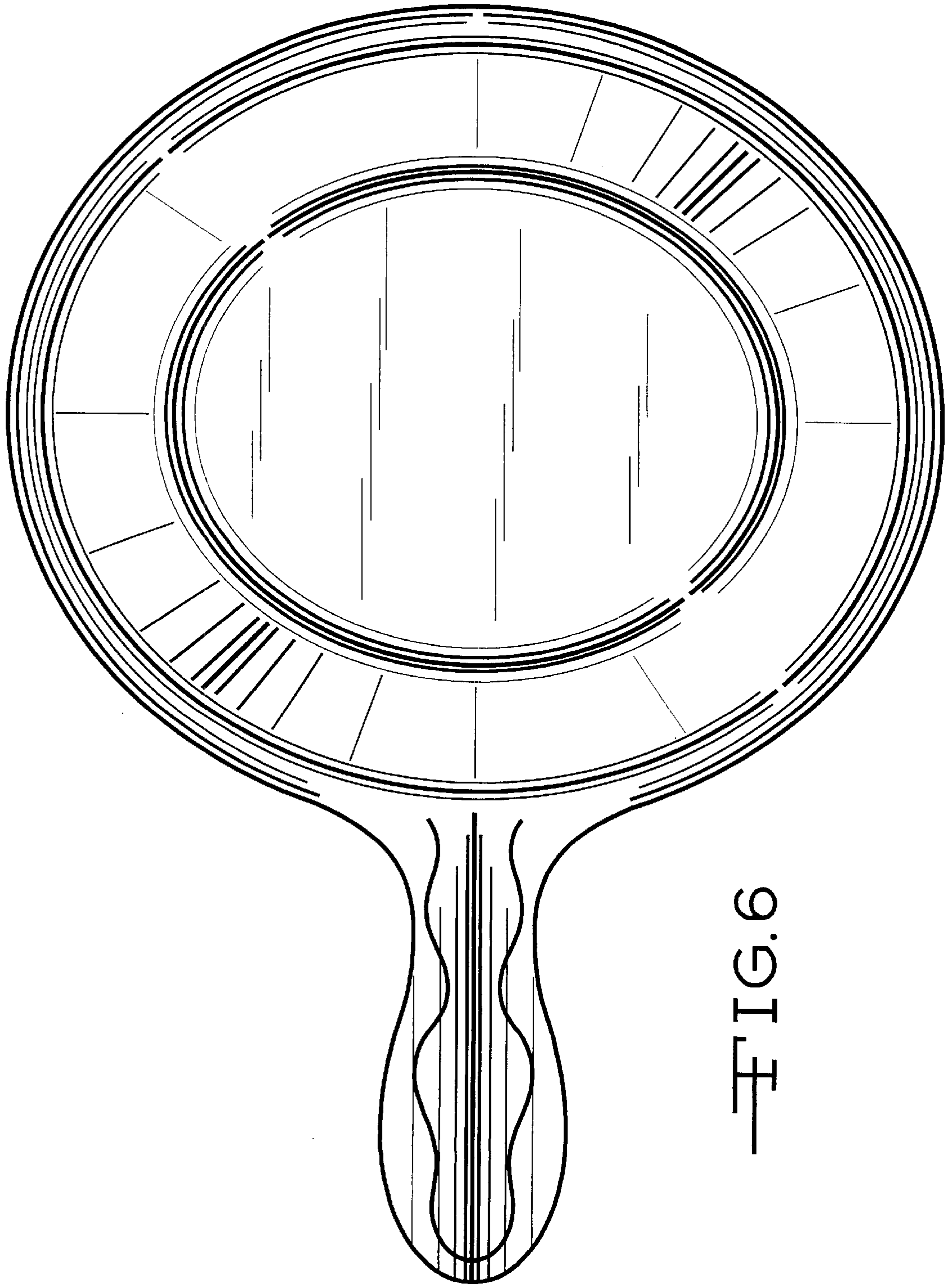


FIG. 6

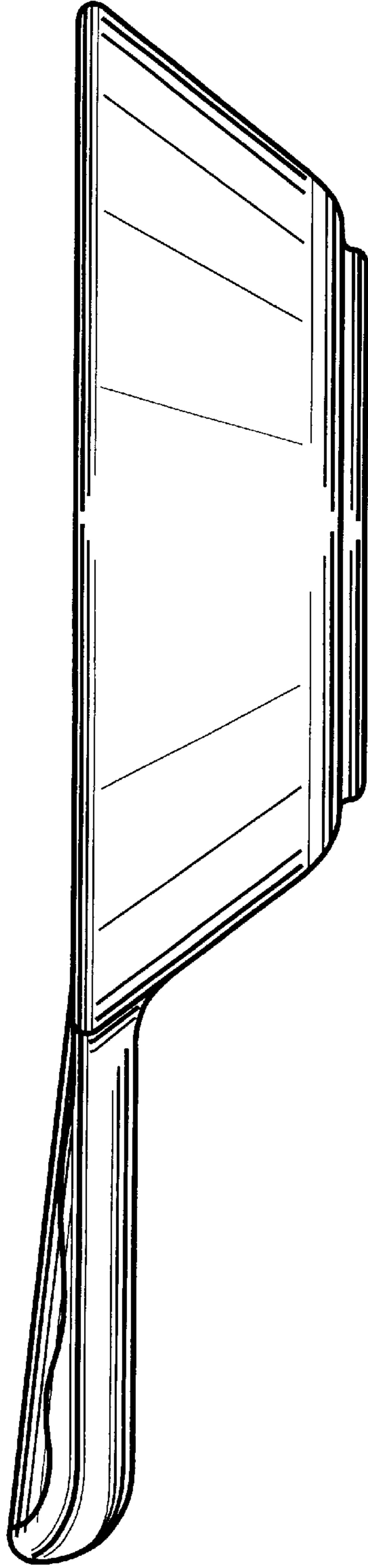


FIG. 7

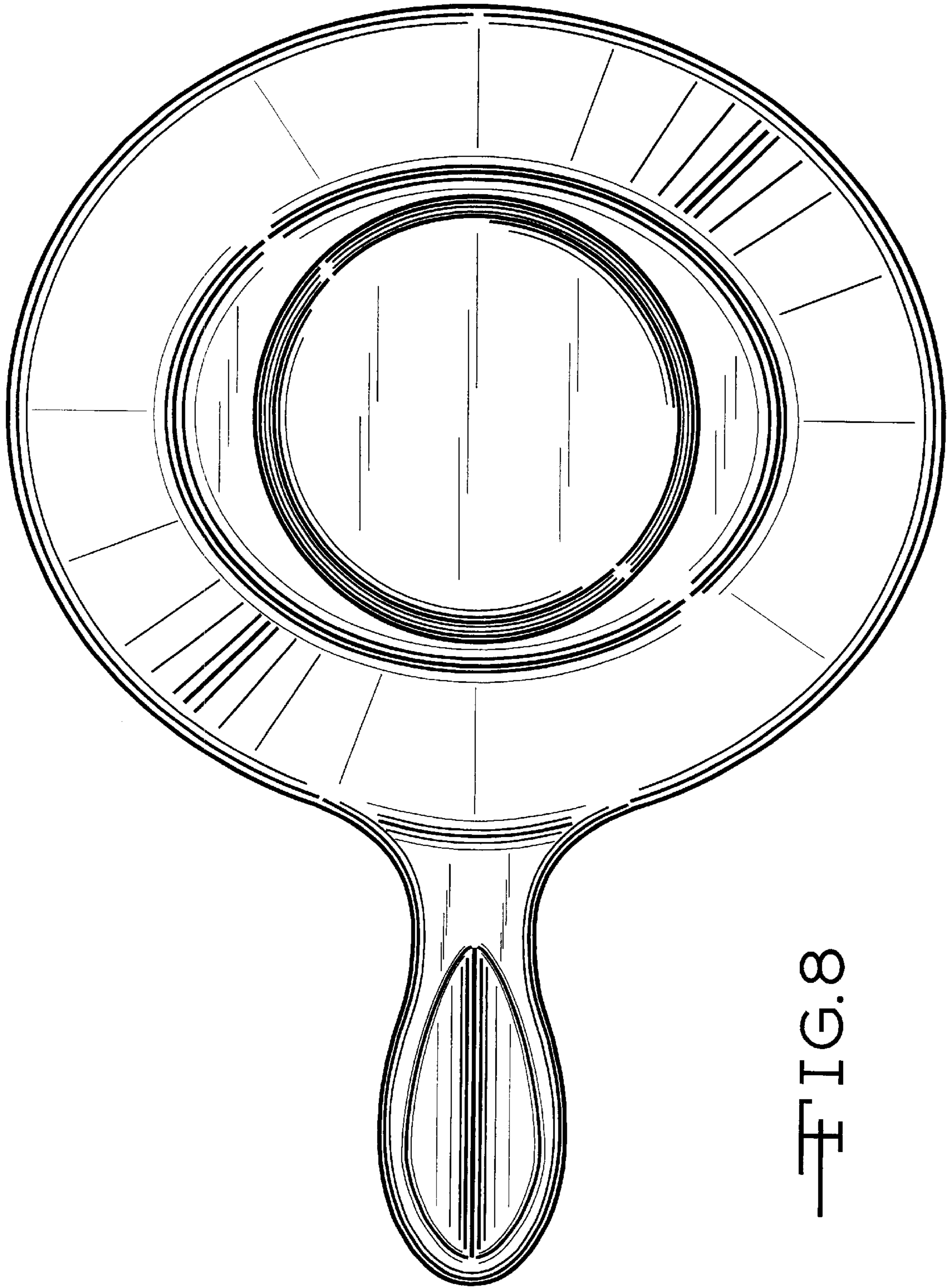


FIG. 8



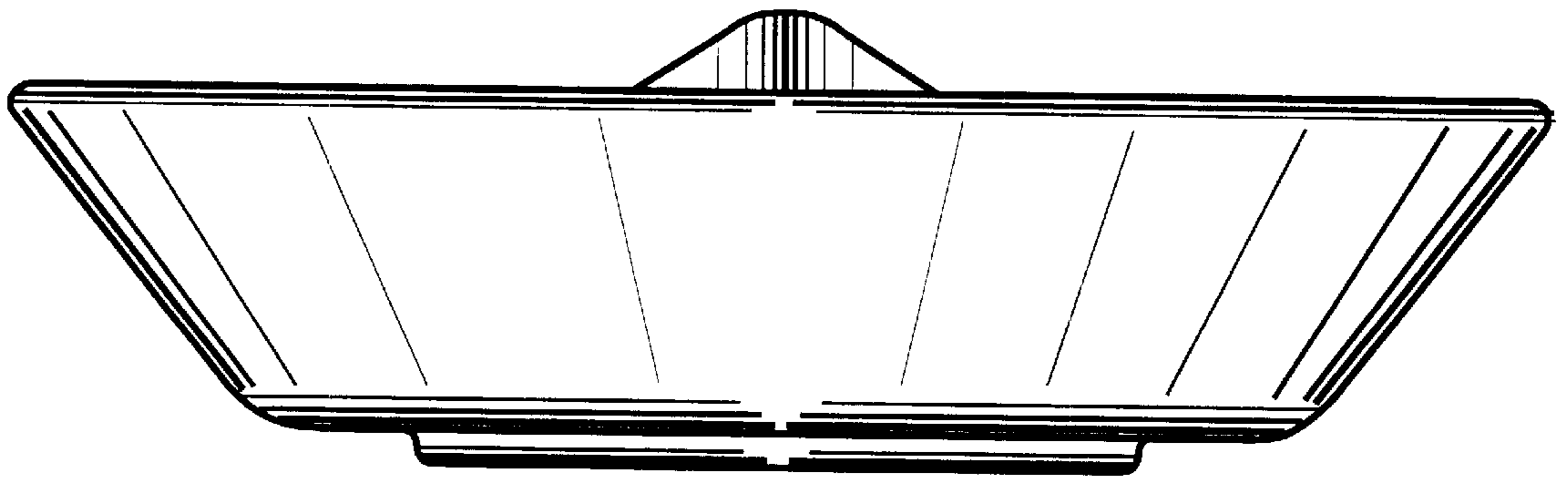


FIG. 9

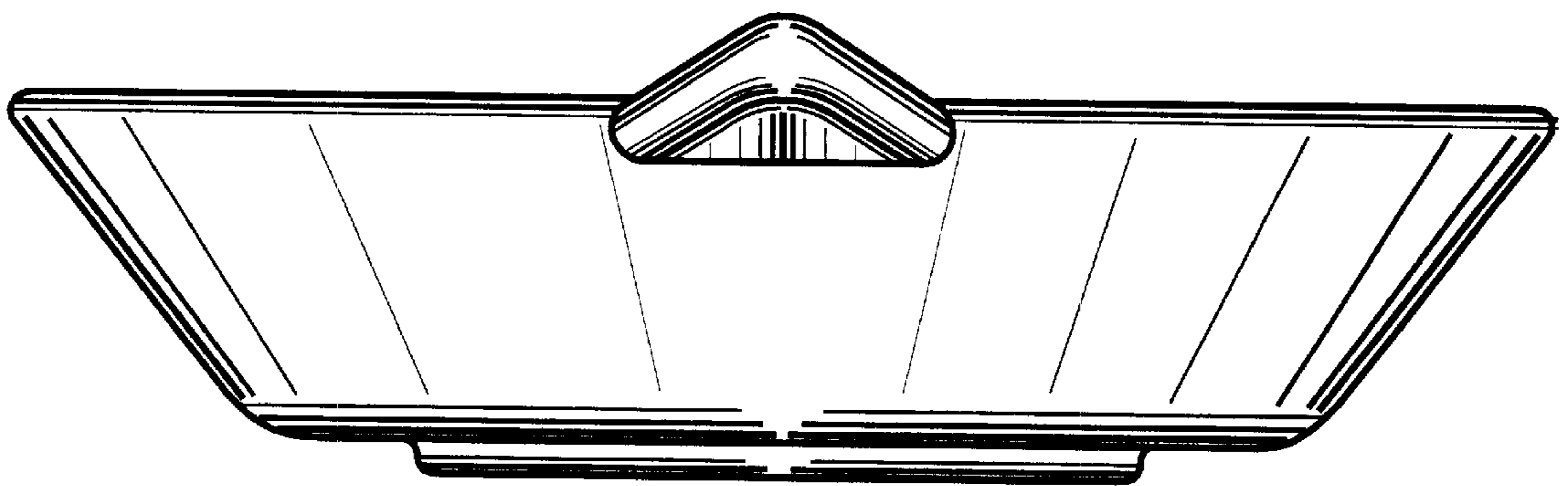


FIG. 10