



US00D470357S

(12) **United States Design Patent**  
**Home**

(10) **Patent No.:** **US D470,357 S**

(45) **Date of Patent:** **\*\* Feb. 18, 2003**

(54) **BARBECUE GRILL**

(75) Inventor: **William Home**, Taipei (TW)

(73) Assignee: **Grand Hall Enterprise Co., Ltd.**,  
Taipei (TW)

(\*\*) Term: **14 Years**

(21) Appl. No.: **29/161,964**

(22) Filed: **Jun. 10, 2002**

(51) **LOC (7) Cl.** ..... **07-02**

(52) **U.S. Cl.** ..... **D7/334**

(58) **Field of Search** ..... D7/332-337, 402-404;  
126/25 R, 8, 9 R, 38, 41 R, 268, 276; 99/339,  
421 R, 357

(56) **References Cited**

**U.S. PATENT DOCUMENTS**

- 4,677,964 A \* 7/1987 Lohmeyer et al. .... 126/41 R
- D293,067 S \* 12/1987 Stephen et al. .... D7/334
- 4,886,045 A \* 12/1989 Ducate, Jr. et al. .... 126/41 R
- D316,355 S \* 4/1991 Stephen et al. .... D7/334

- D404,963 S \* 2/1999 Schlosser et al. .... D7/334
- D454,276 S \* 3/2002 Pai ..... D7/334
- D461,359 S \* 8/2002 Coleman et al. .... D7/334
- D462,227 S \* 9/2002 Alden et al. .... D7/334

\* cited by examiner

*Primary Examiner*—Ruth McInroy

(74) *Attorney, Agent, or Firm*—Leong C. Lei

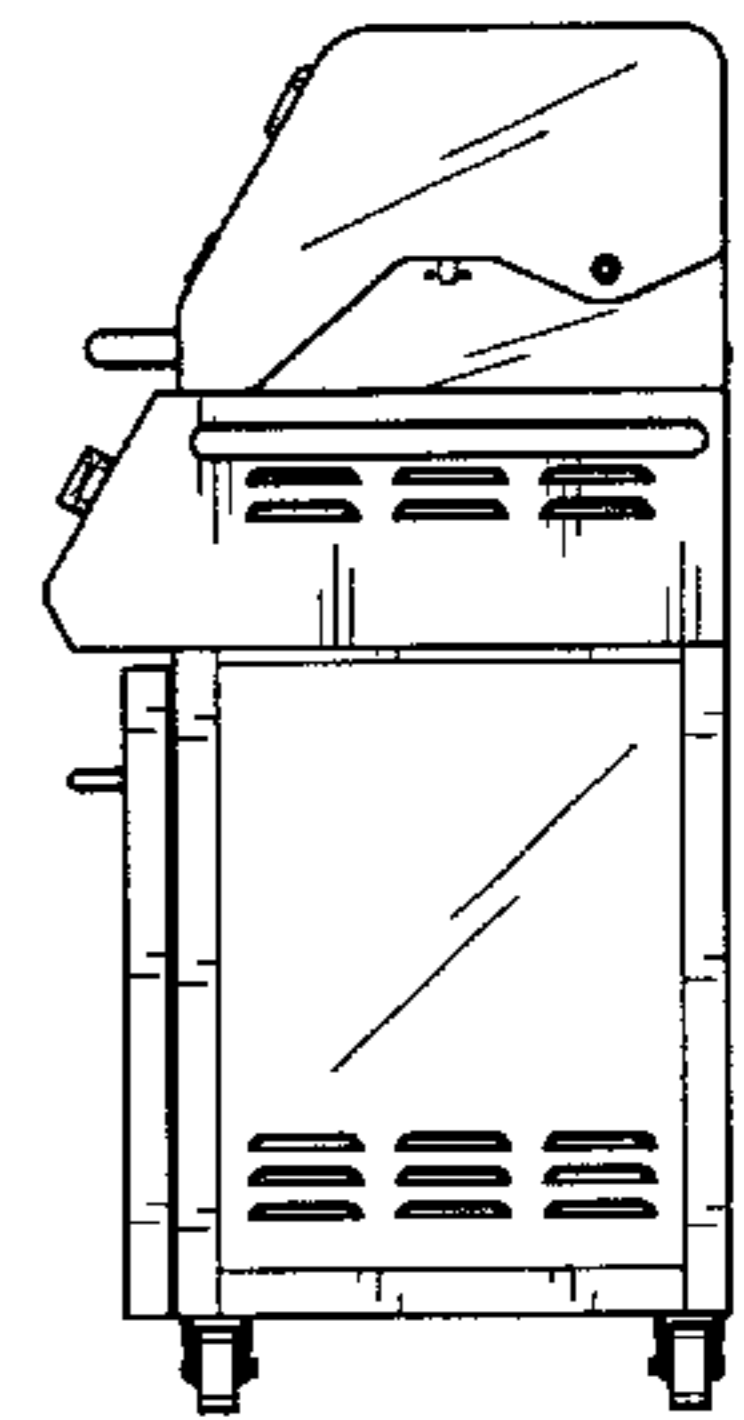
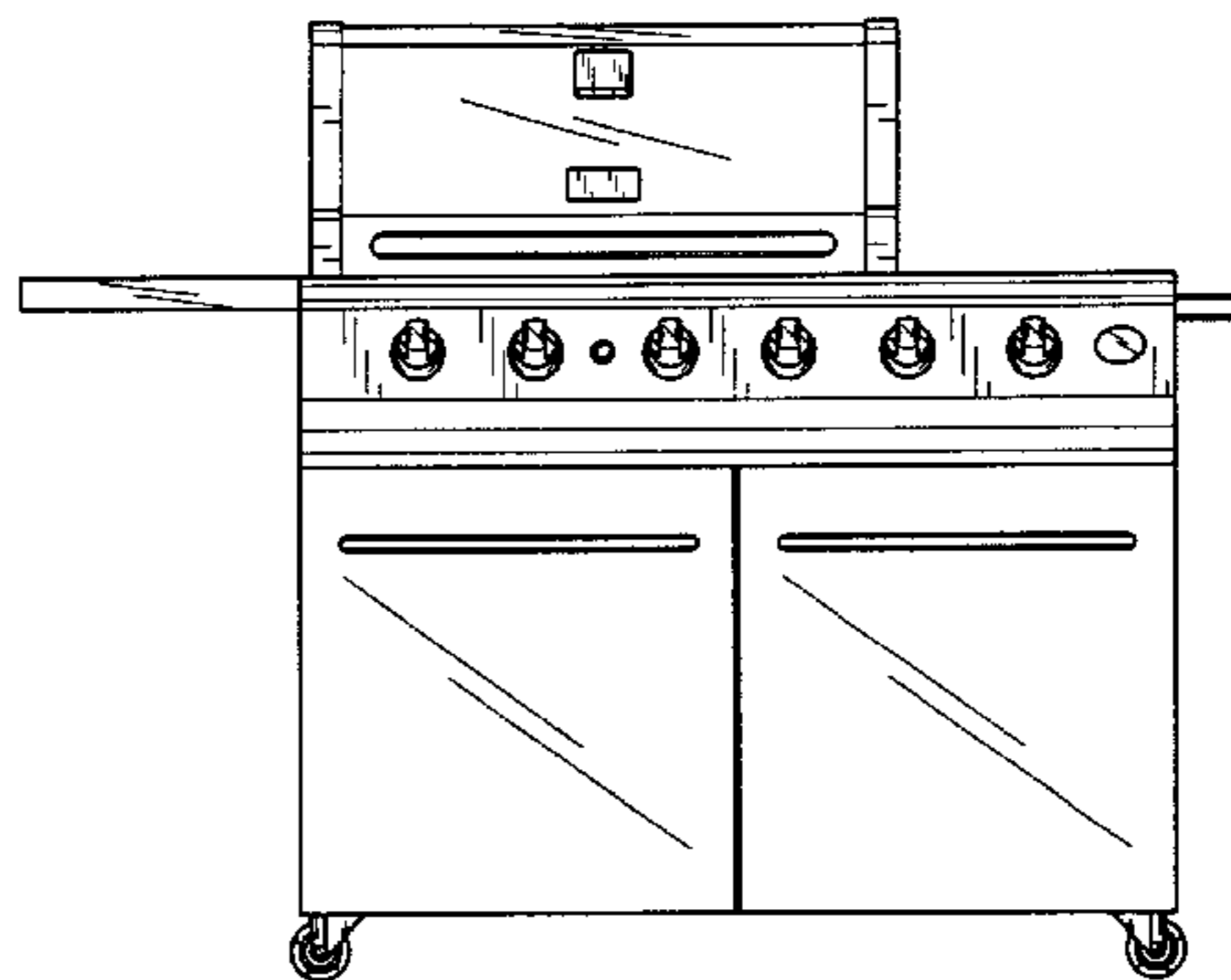
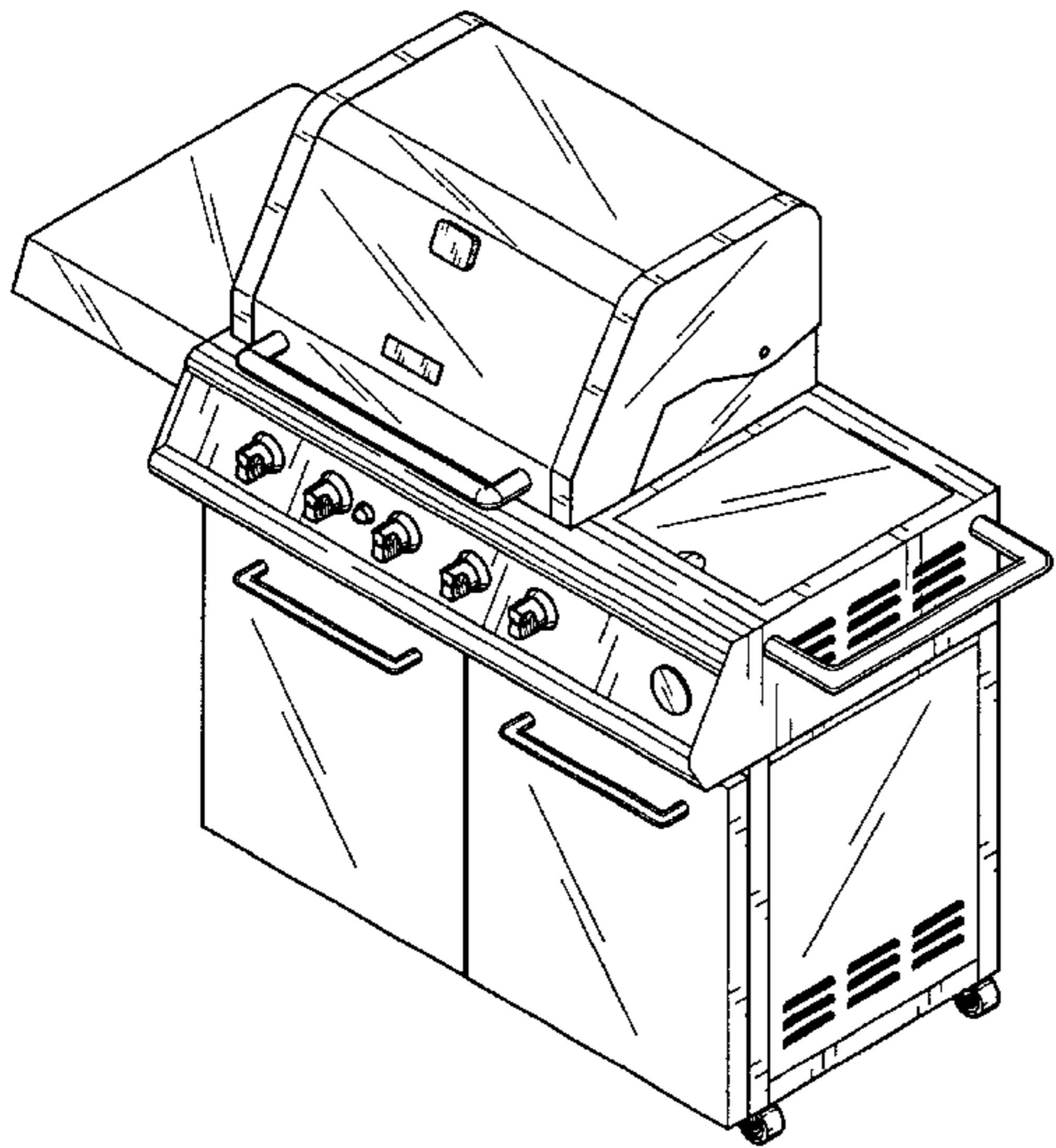
(57) **CLAIM**

The ornamental design for a barbecue grill, as shown and described.

**DESCRIPTION**

FIG. 1 is perspective view of a barbecue grill showing my new design;  
 FIG. 2 is a front side elevation view thereof;  
 FIG. 3 is a left side elevation view thereof;  
 FIG. 4 is a right side elevation view thereof;  
 FIG. 5 is a rear side elevation view thereof;  
 FIG. 6 is a top plan view thereof; and,  
 FIG. 7 is a bottom plan view thereof.

**1 Claim, 4 Drawing Sheets**



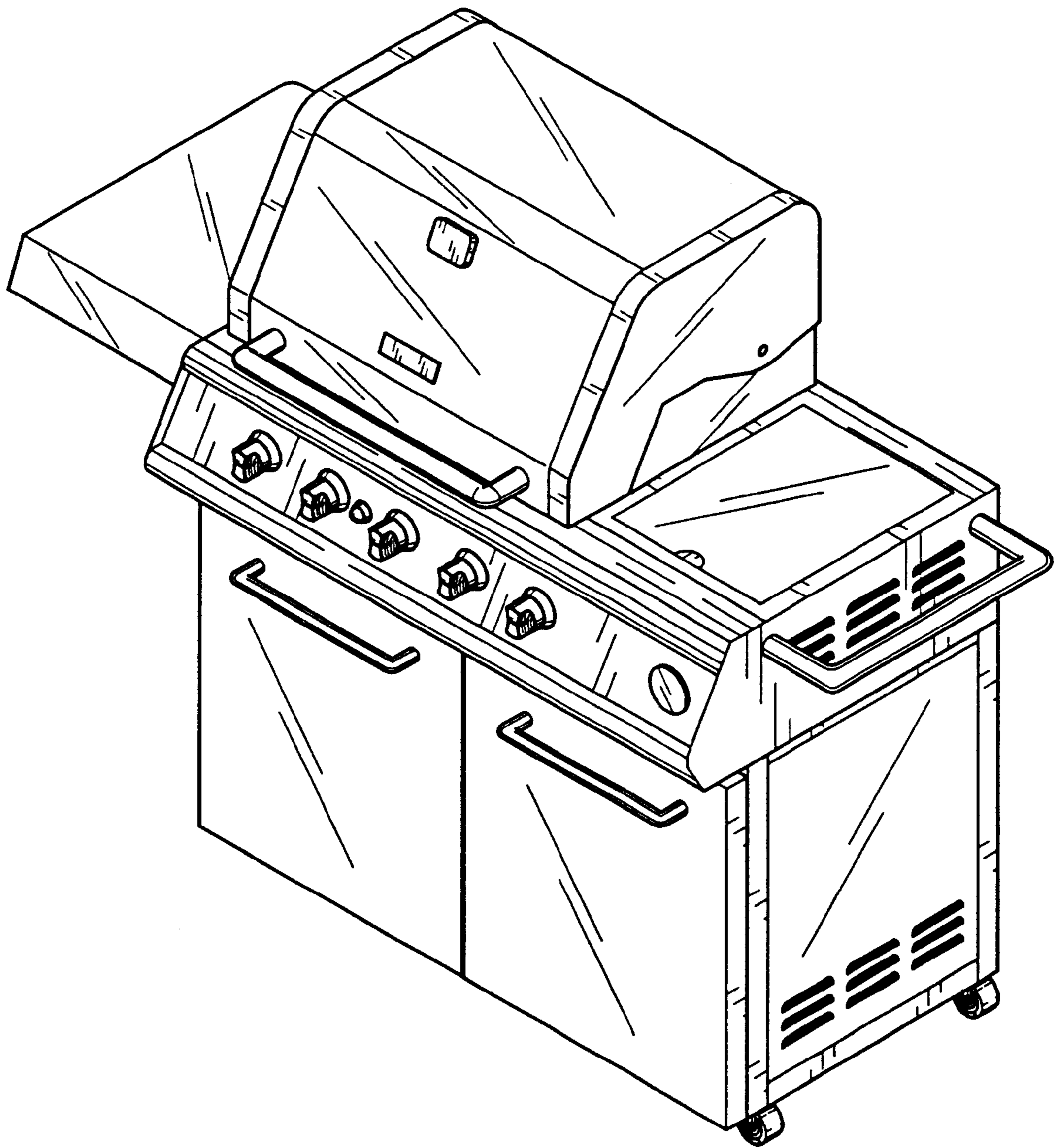


FIG. 1

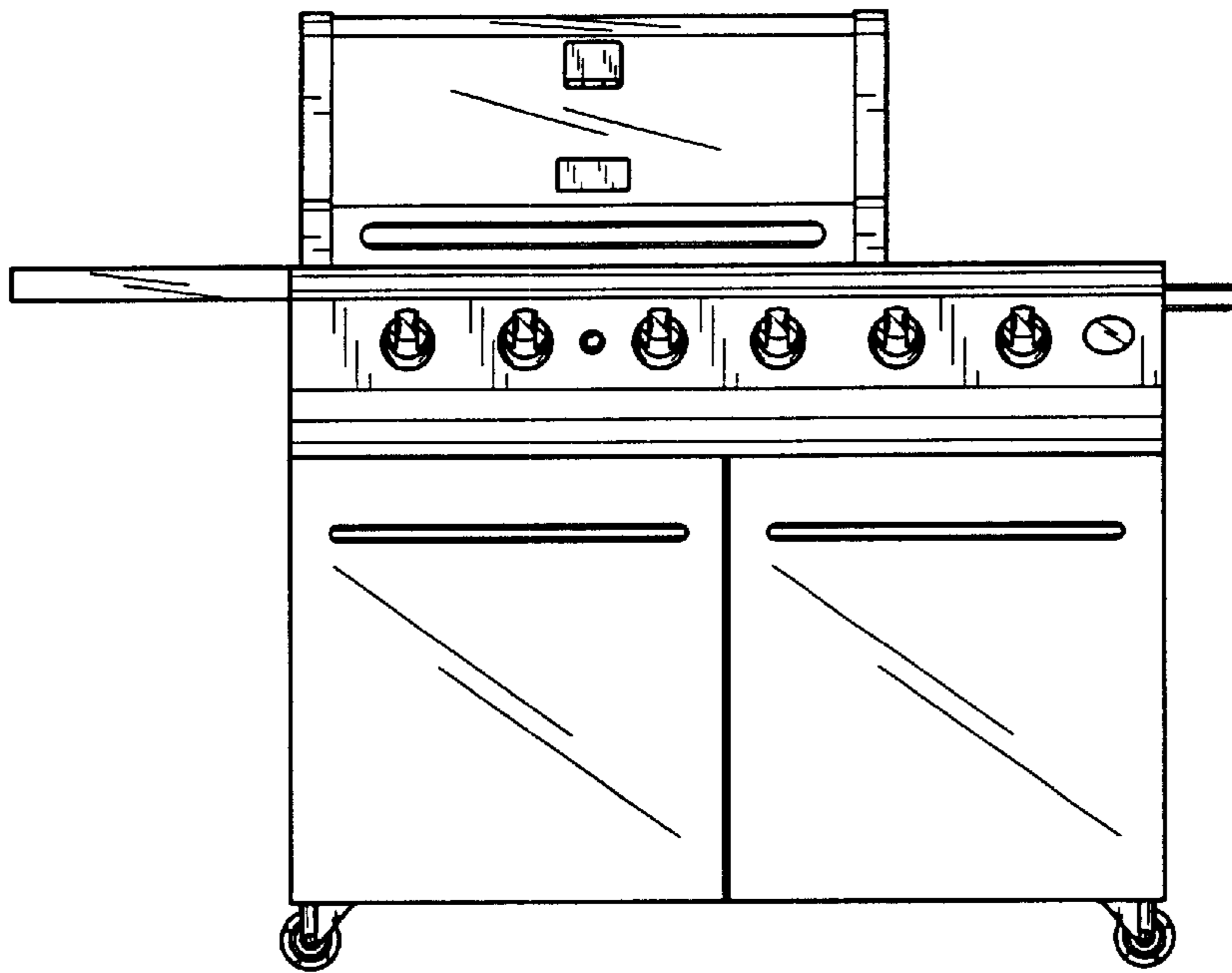


FIG. 2

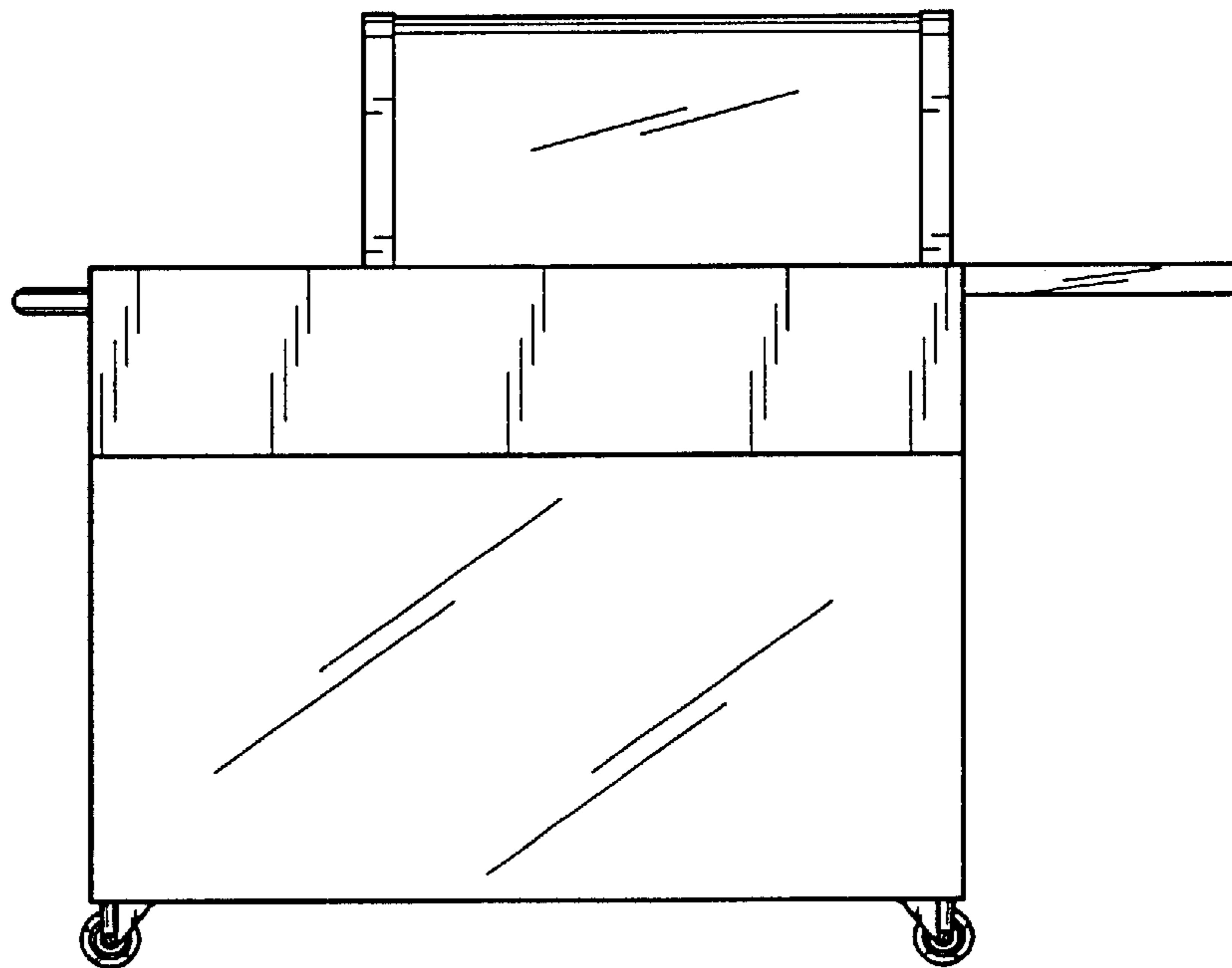


FIG. 5

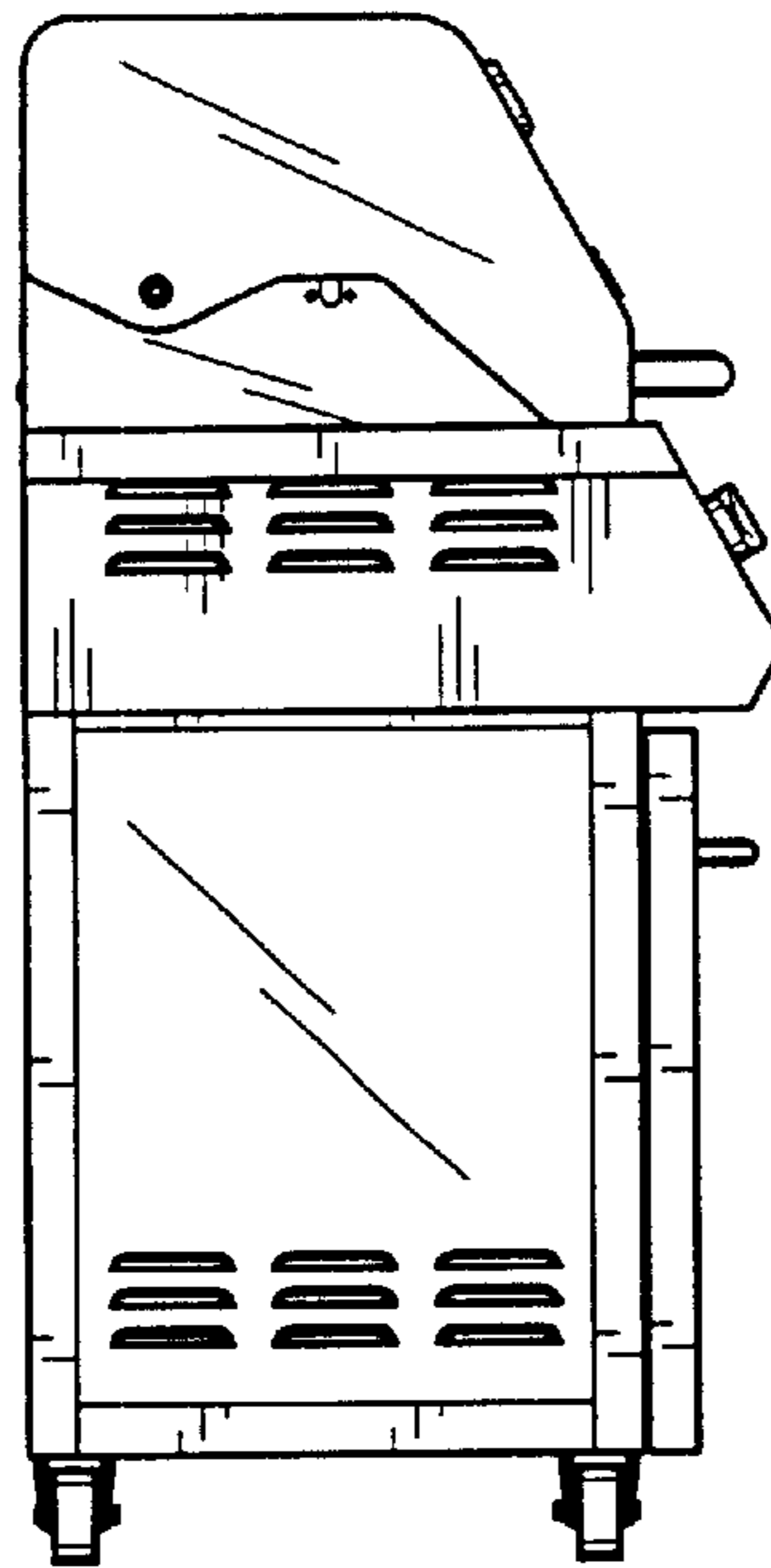


FIG. 3

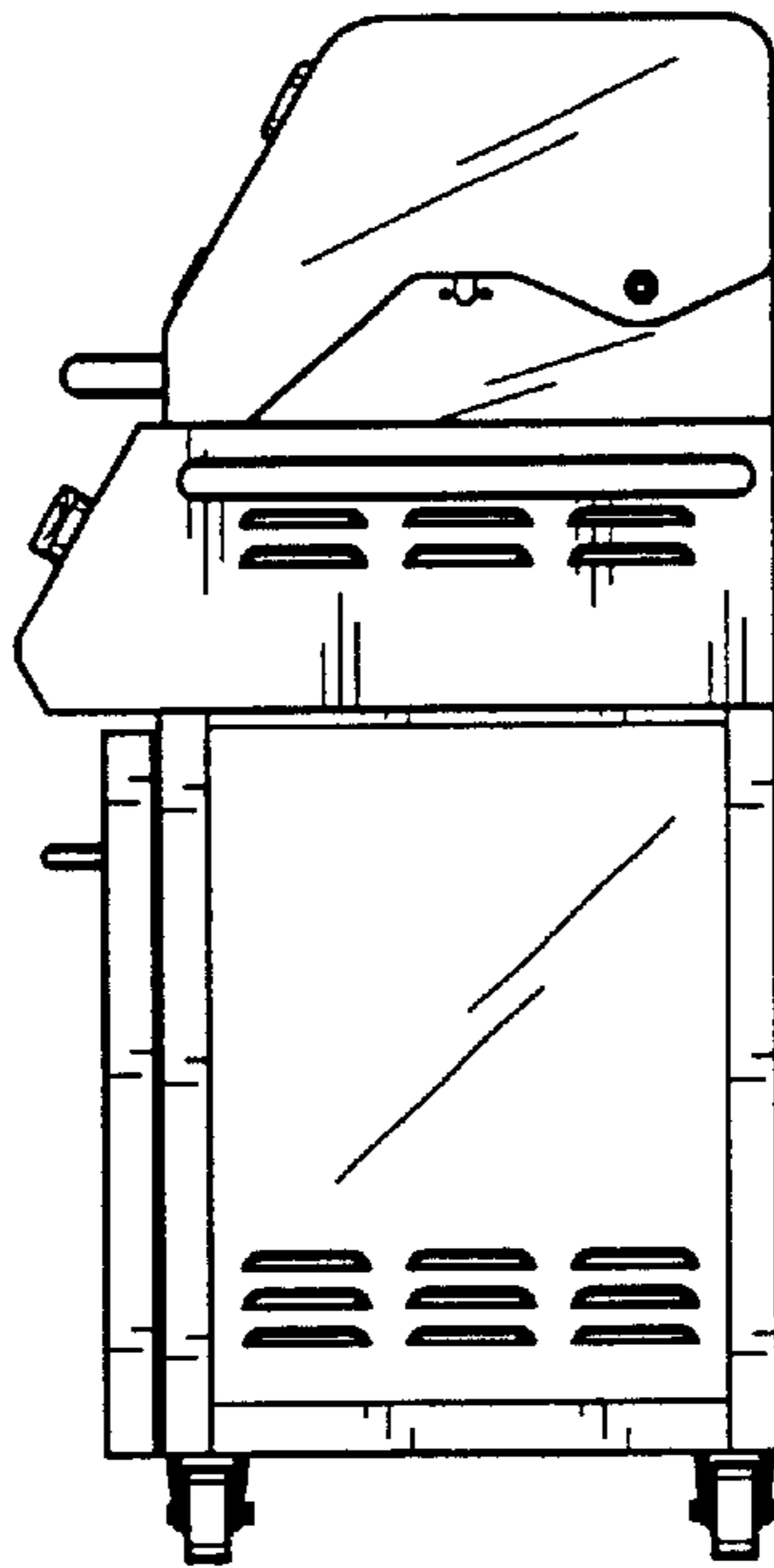


FIG. 4

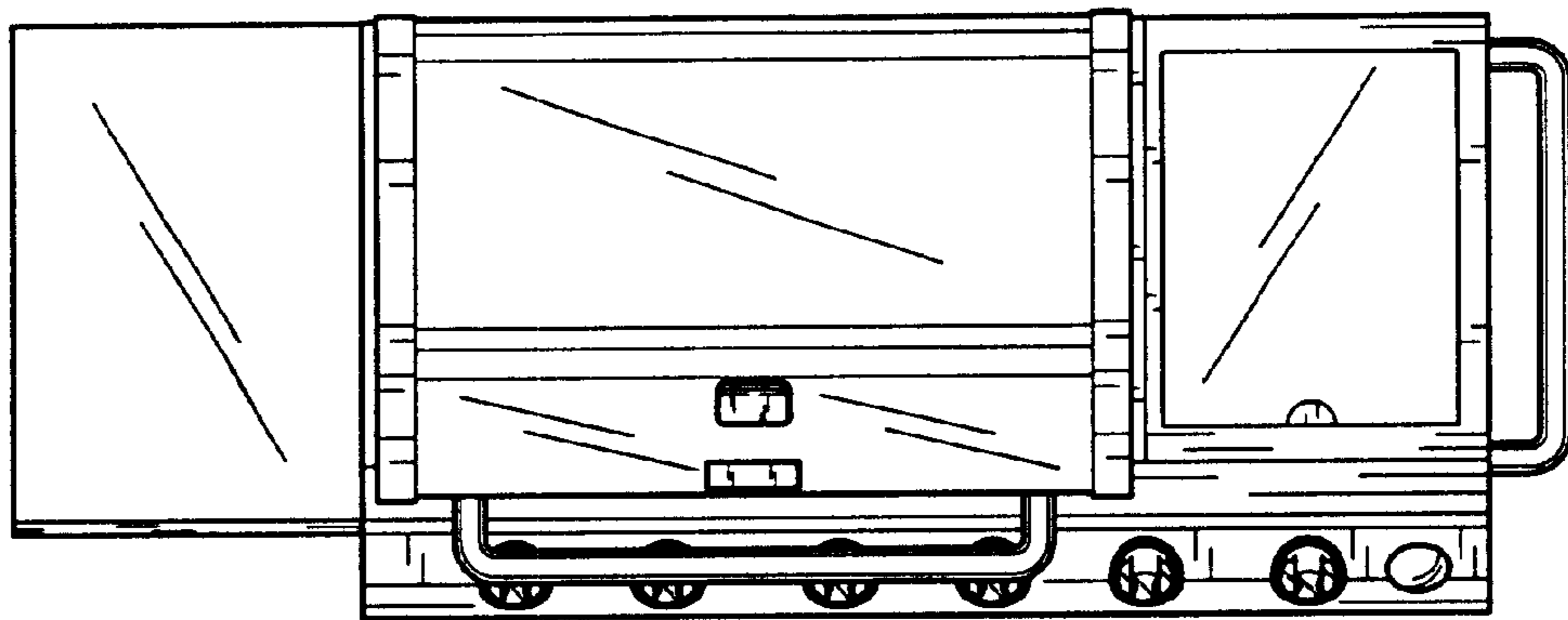


FIG. 6

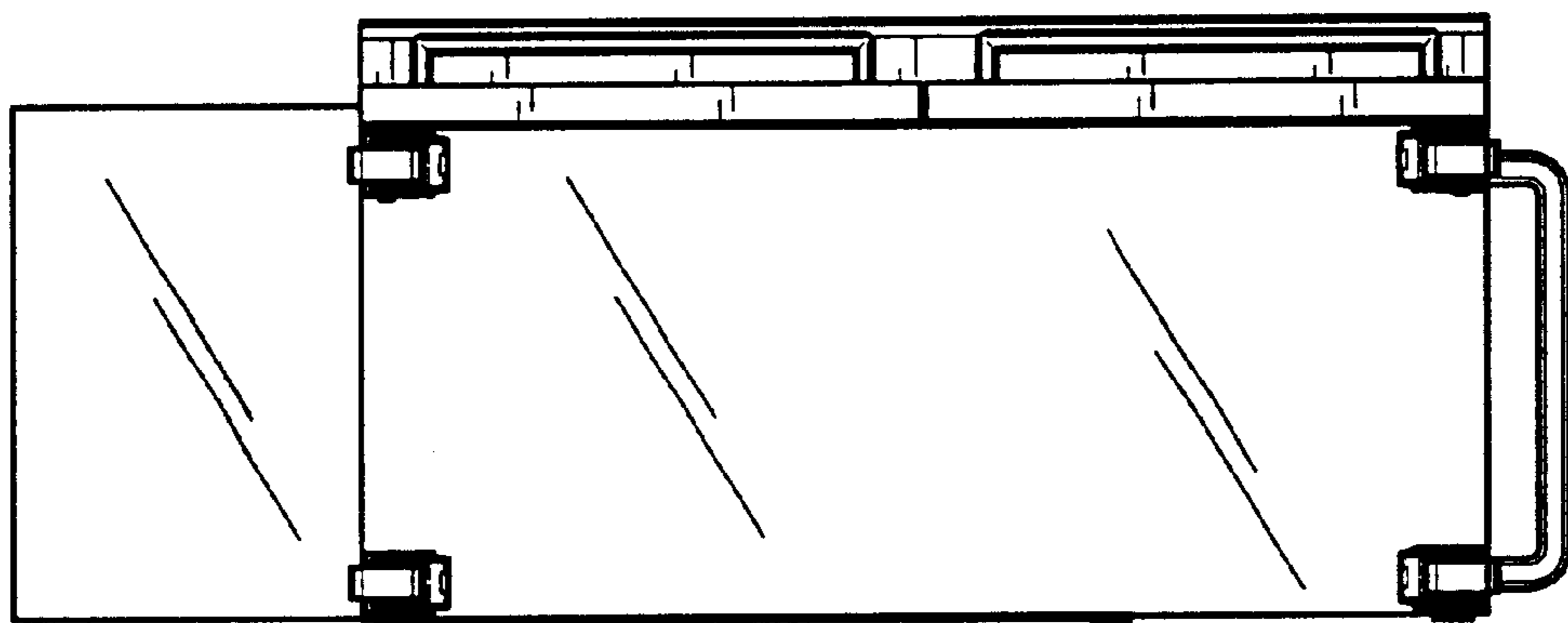


FIG. 7