



US00D470353S

(12) **United States Design Patent**
Mikich et al.

(10) **Patent No.:** **US D470,353 S**

(45) **Date of Patent:** **** Feb. 18, 2003**

(54) **SUSPENDED STORAGE STRUCTURE**

5,064,161 A * 11/1991 Anderson 248/317
D416,152 S * 11/1999 Payne et al. D6/513
D459,926 S * 7/2002 Mikich et al. D6/513

(75) Inventors: **Michael J. Mikich**, Las Vegas, NV (US); **Timothy M. Matthias**, Las Vegas, NV (US); **Mark C. Torosian**, Las Vegas, NV (US); **Dwayne Dunseath**, Las Vegas, NV (US)

* cited by examiner

(73) Assignee: **Hyloft USA, LLC**, Las Vegas, NV (US)

Primary Examiner—Brian N. Vinson
(74) *Attorney, Agent, or Firm*—Rob L. Phillips; Quirk & Tratos

(**) Term: **14 Years**

(57) **CLAIM**

(21) Appl. No.: **29/159,597**

The ornamental design for a suspended storage structure, as shown and described.

(22) Filed: **Apr. 23, 2002**

DESCRIPTION

(51) **LOC (7) Cl.** **06-06**

FIG. 1 is an elevated perspective view of the present invention;

(52) **U.S. Cl.** **D6/513**

FIG. 2 is a side view along the length of the present invention;

(58) **Field of Search** D6/512-514, 566; 206/557, 320; 211/13.1, 31, 86.01, 113, 119, 126.1, 126.9, 134, 181.1; 248/175, 302, 317, 343

FIG. 3 is a side view along the width of the present invention; and,

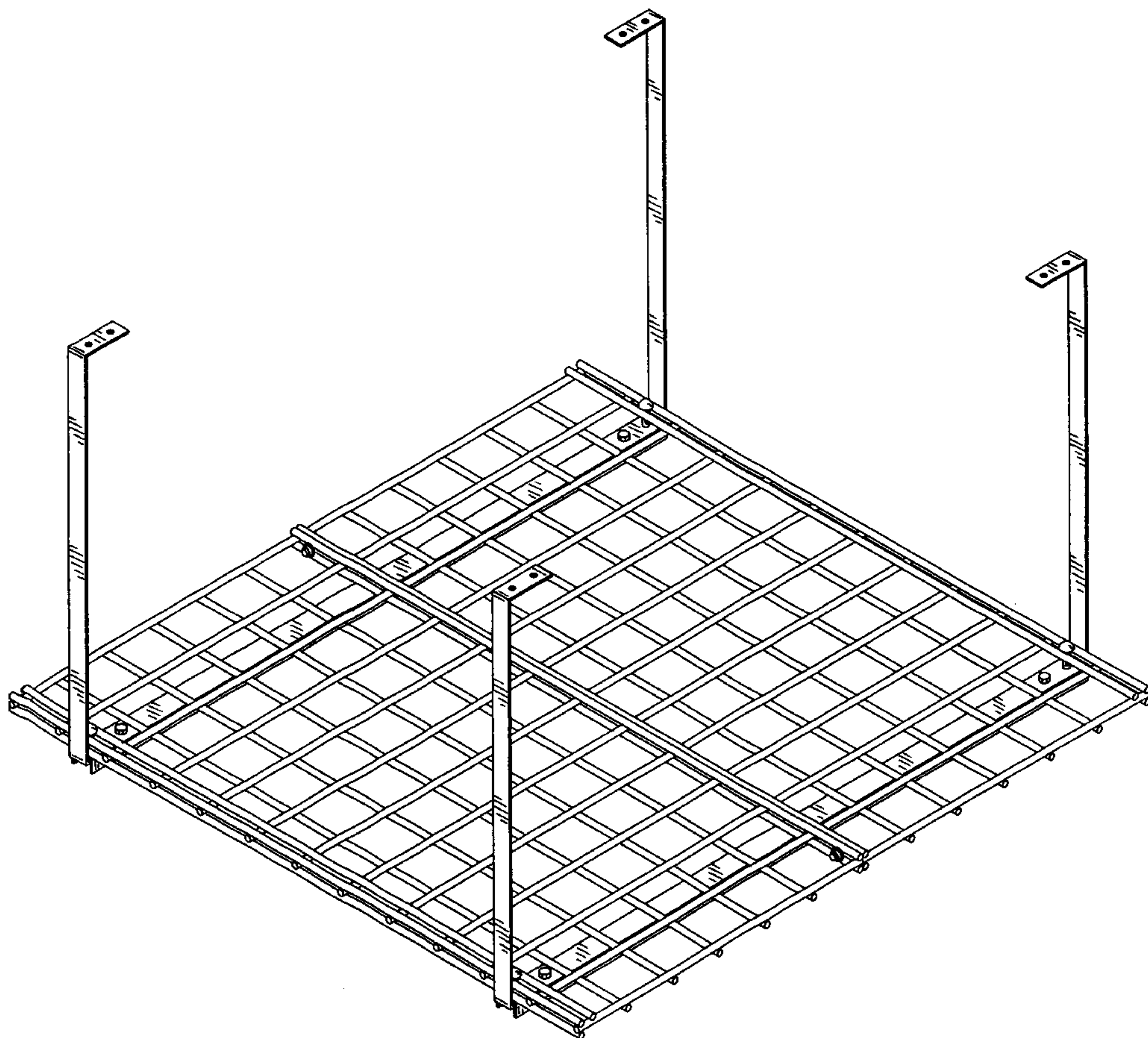
FIG. 4 is a bottom view of the present invention.

(56) **References Cited**

U.S. PATENT DOCUMENTS

4,319,421 A * 3/1982 Diamond 248/343

1 Claim, 3 Drawing Sheets



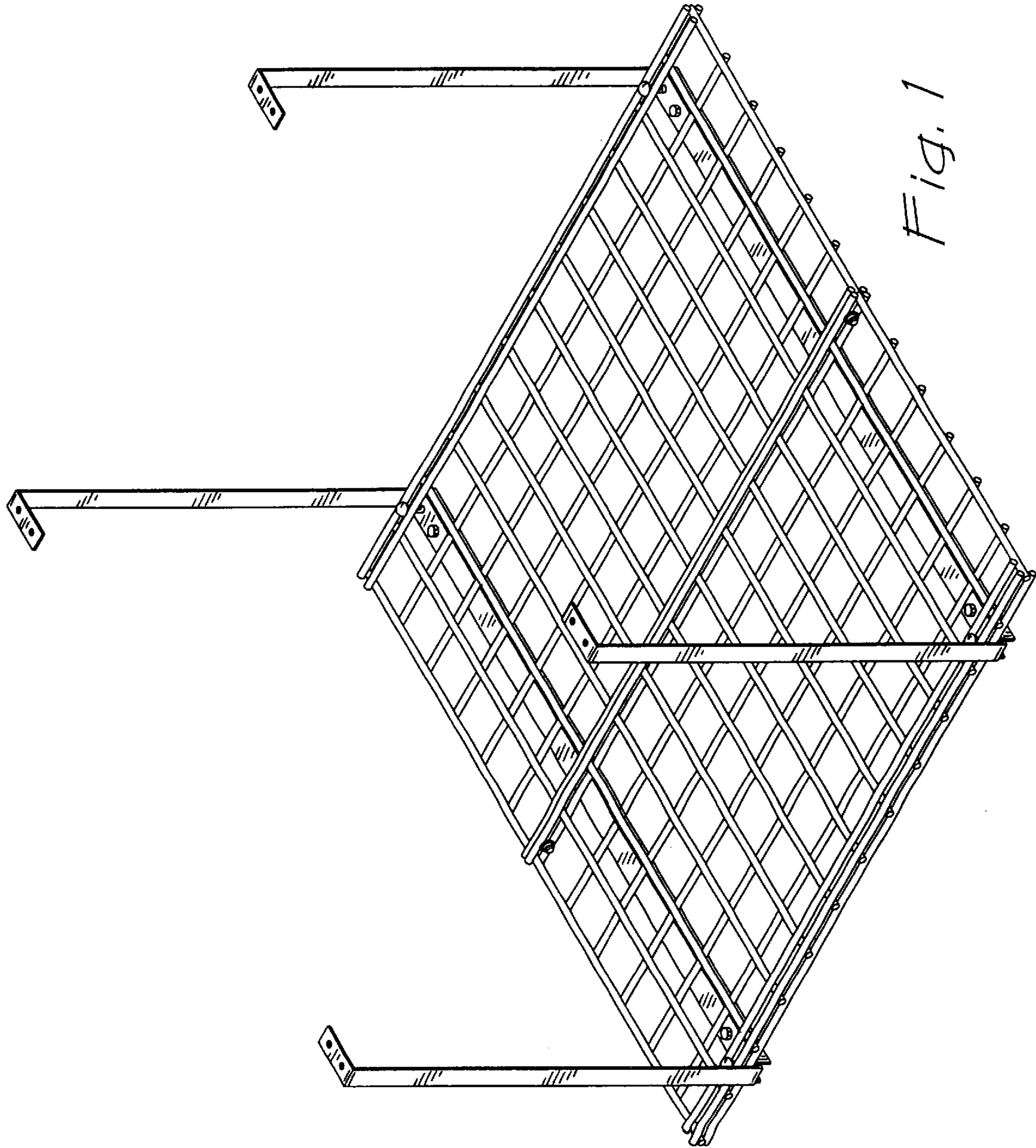


Fig. 1

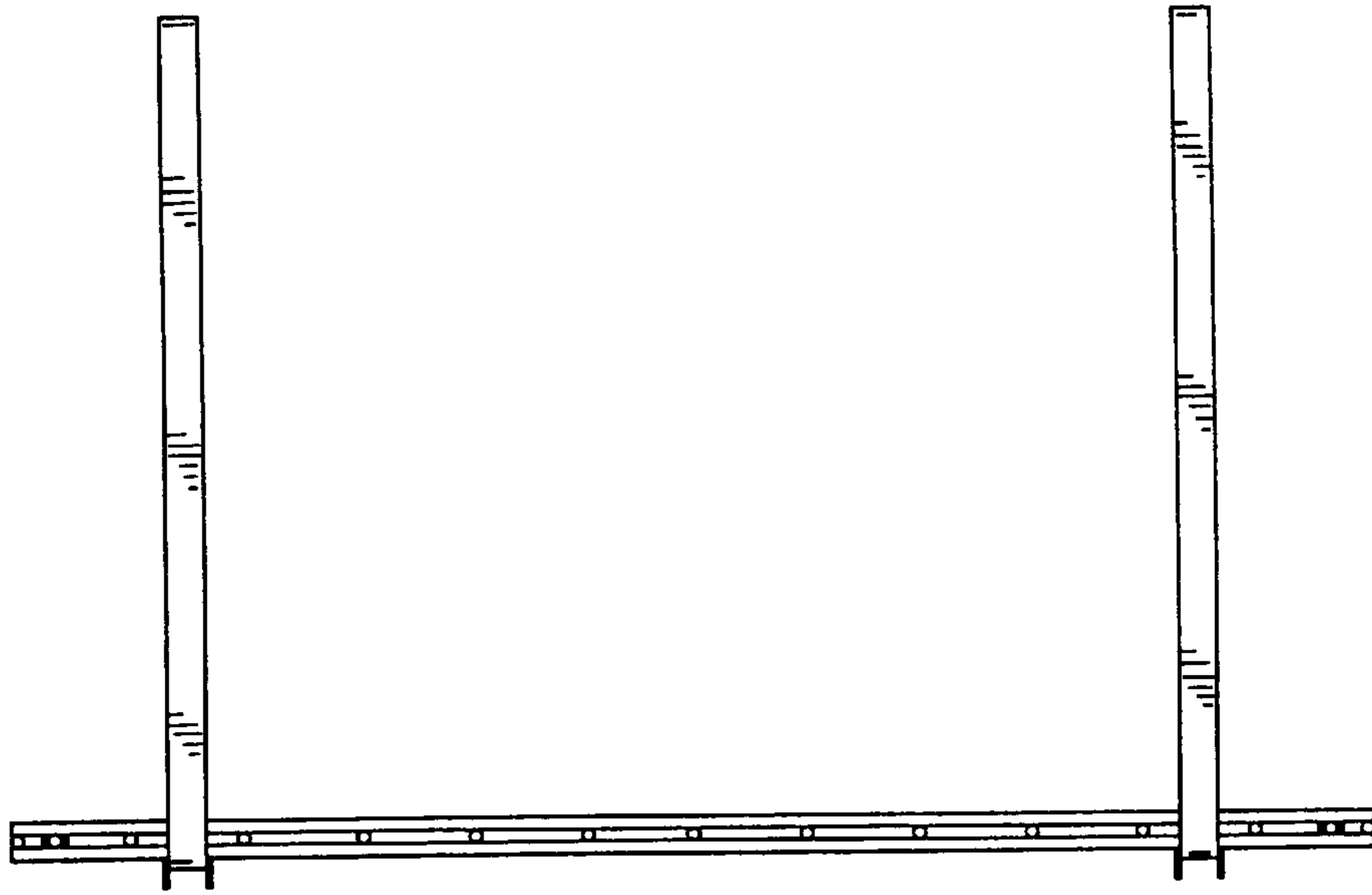


Fig. 2

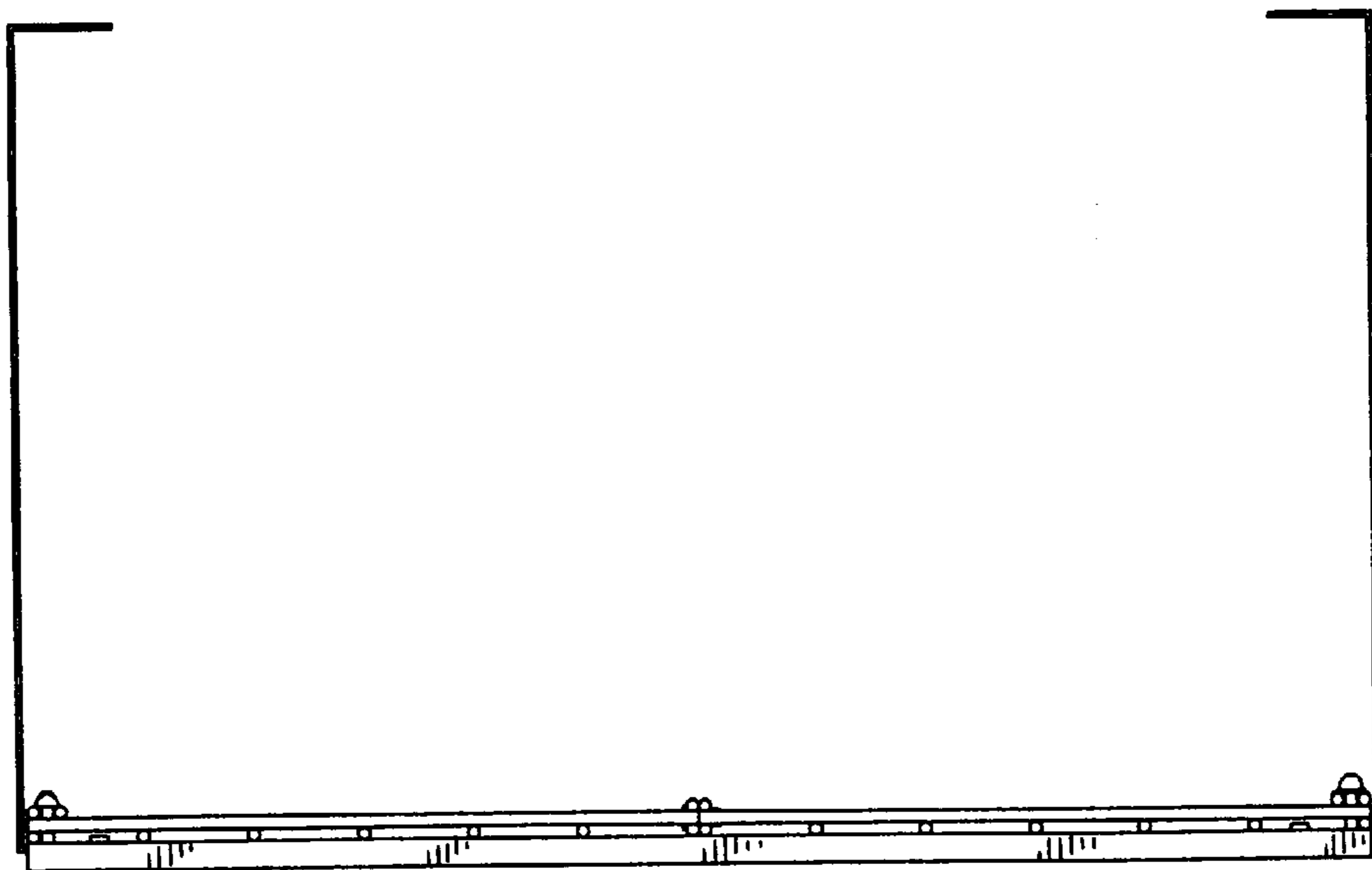


Fig. 3

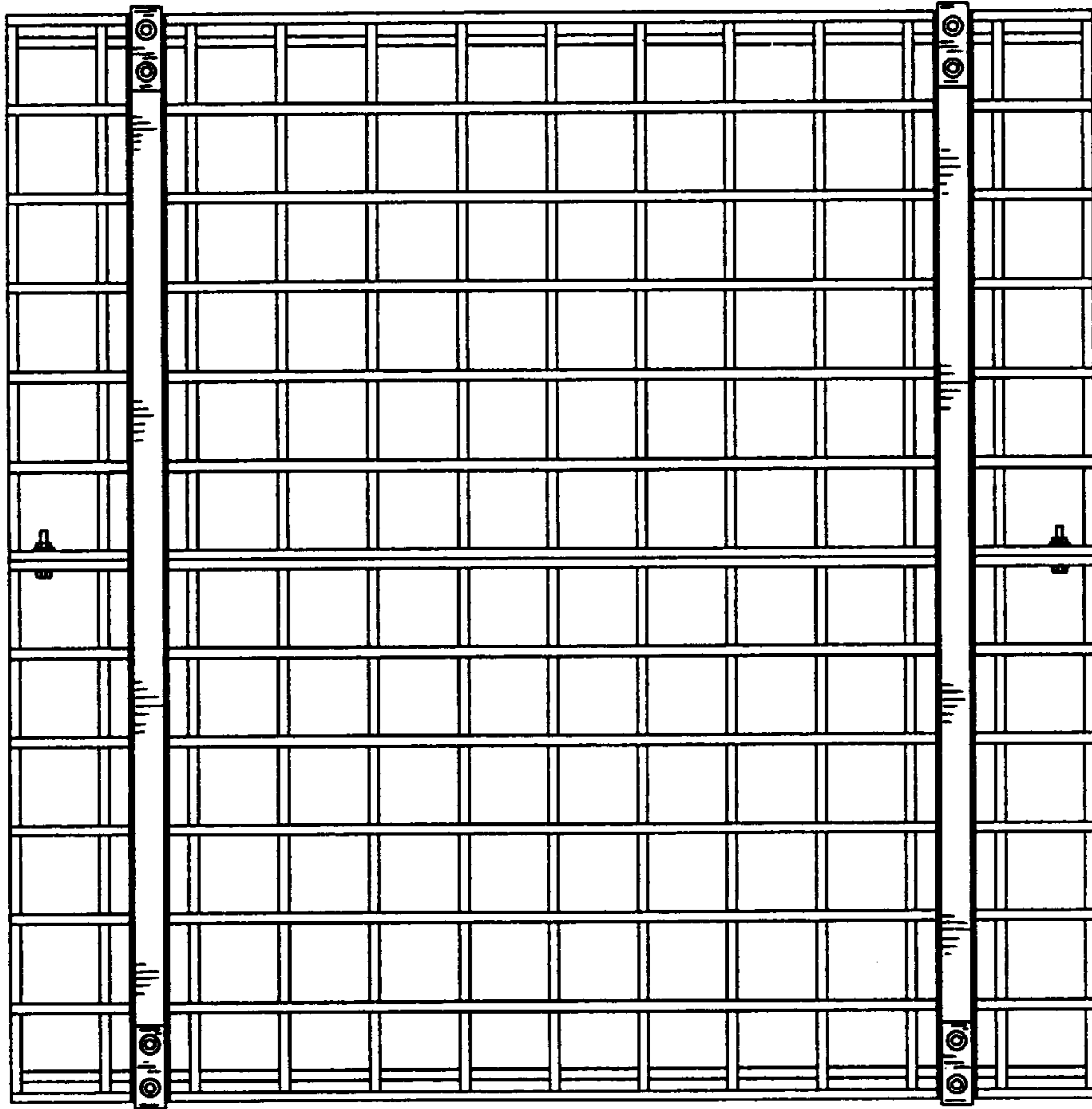


Fig. 4