



US00D470352S

(12) **United States Design Patent**
Strong

(10) **Patent No.:** **US D470,352 S**

(45) **Date of Patent:** **** Feb. 18, 2003**

(54) **TABLE TOP**

(75) Inventor: **Lynn Curtis Strong**, Clearfield, UT
(US)

(73) Assignee: **Lifetime Products, Inc.**, Clearfield, UT
(US)

(**) Term: **14 Years**

(21) Appl. No.: **29/167,611**

(22) Filed: **Sep. 18, 2002**

(51) **LOC (7) Cl.** **06-06**

(52) **U.S. Cl.** **D6/511**

(58) **Field of Search** D6/480-489, 511,
D6/429, 422; 108/150, 153.1, 155, 156,
157.1, 157.15, 159.12, 161, 27; 312/140.3,
140.2

(56) **References Cited**

U.S. PATENT DOCUMENTS

2,857,228	A	10/1958	Koett	
2,879,118	A	3/1959	Kolb	
3,108,550	A	10/1963	Knoblock	
3,247,811	A	4/1966	Bauder	
3,906,848	A	9/1975	Gow	99/339
3,954,068	A	5/1976	Roberts et al.	108/124
4,099,469	A	7/1978	Sahli	108/1
4,105,271	A	8/1978	Sebel et al.	312/253
4,196,675	A	4/1980	Cook	108/6
4,248,161	A	2/1981	Adair et al.	108/6
D353,286	S	* 12/1994	Hand	D6/480
D355,091	S	* 2/1995	Green et al.	D6/511
D358,954	S	* 6/1995	Leduc	D6/480
D366,781	S	2/1996	Cartwright	D6/422
5,603,267	A	2/1997	Soper	108/124
5,644,994	A	7/1997	Liang et al.	108/116
6,019,050	A	2/2000	Ranta	108/6
D452,626	S	* 1/2002	Petri	D6/511
D452,787	S	* 1/2002	Petri	D6/511

OTHER PUBLICATIONS

Mosaic, Gunlock Co., c2000, p. 3, profile edge in center.*

* cited by examiner

Primary Examiner—Janice E. Seeger

(74) *Attorney, Agent, or Firm*—Workman, Nydeggar & Seeley

(57) **CLAIM**

The ornamental design for a table top, as shown and described.

DESCRIPTION

FIG. 1 is a perspective view of a table top in accordance with a preferred embodiment of the present invention, the perspective view being from an upper, front, left view of the table top;

FIG. 2 is another perspective view of the table top shown in FIG. 1, the perspective view being from an upper, rear, right view of the table top;

FIG. 3 is another perspective view of the table top shown in FIG. 1, the perspective view being from a lower, rear, right view of the table top;

FIG. 4 is a right side view of the table top shown in FIG. 1;

FIG. 5 is a left side view of the table top shown in FIG. 1;

FIG. 6 is a top view of the table top shown in FIG. 1;

FIG. 7 is a front view of the table top shown in FIG. 1;

FIG. 8 is a rear view of the table top shown in FIG. 1;

FIG. 9 is a perspective view of a table top in accordance with another preferred embodiment of the present invention, the perspective view being from an upper, rear, right view of the table top;

FIG. 10 is another perspective view of the table top shown in FIG. 9, the perspective view being from a lower, rear, right view of the table top;

FIG. 11 is a right side view of the table top shown in FIG. 9;

FIG. 12 is a left side view of the table top shown in FIG. 9;

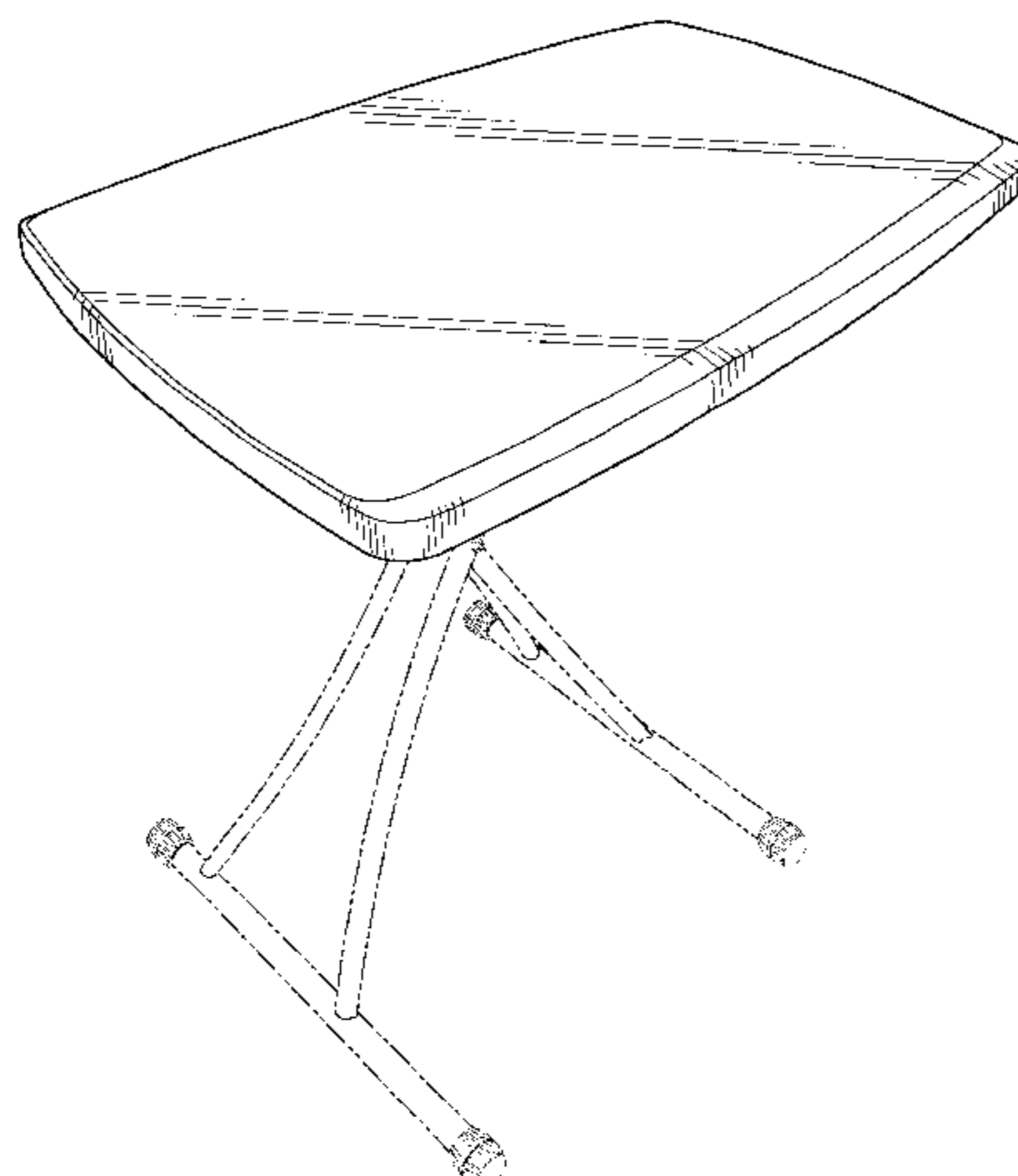
FIG. 13 is a top view of the table top shown in FIG. 9;

FIG. 14 is a front view of the table top shown in FIG. 9; and,

FIG. 15 is a rear view of the table top shown in FIG. 9.

The broken lines are for environmental purposes only and form no part of the claimed design.

1 Claim, 7 Drawing Sheets



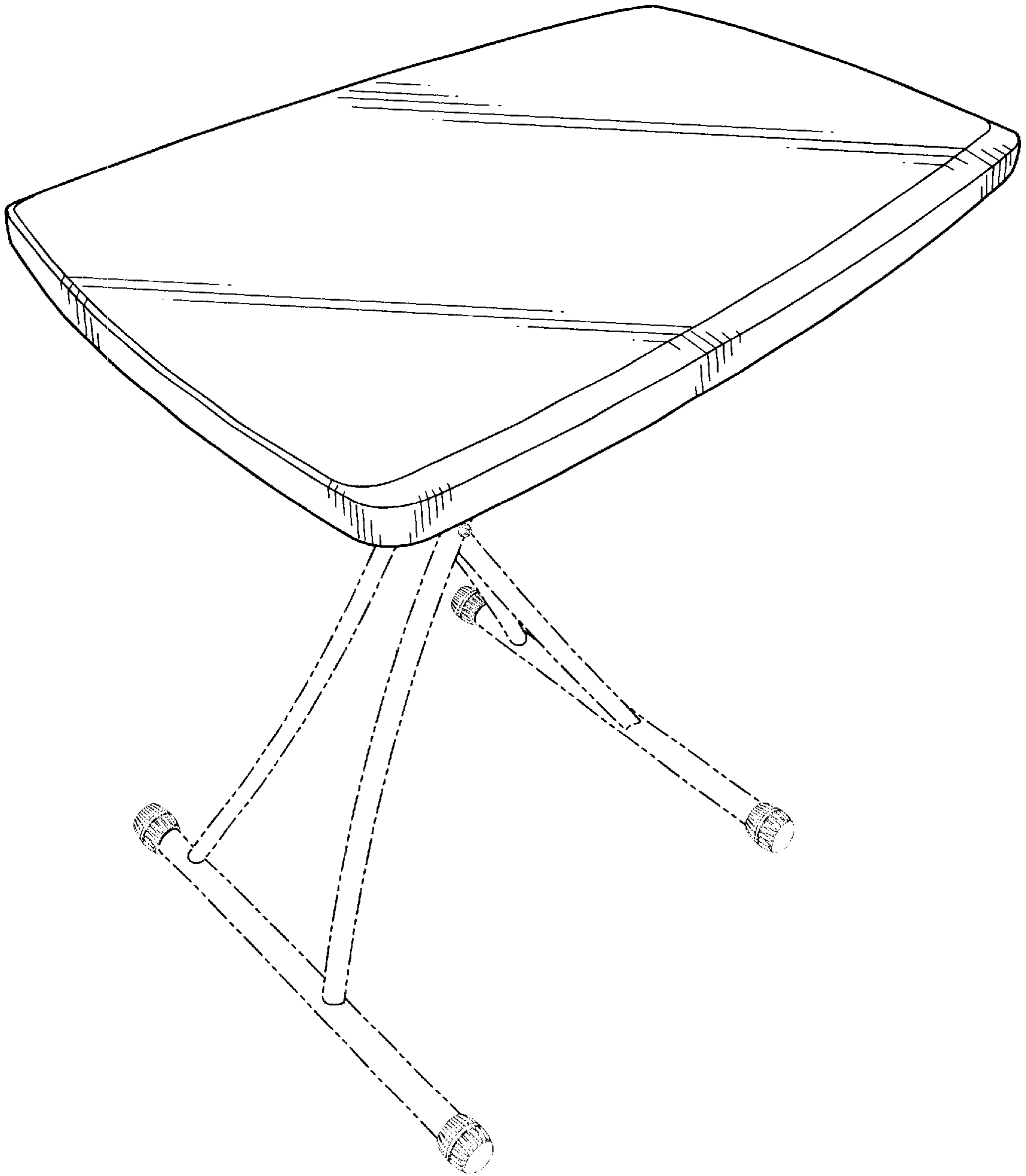


Fig. 1

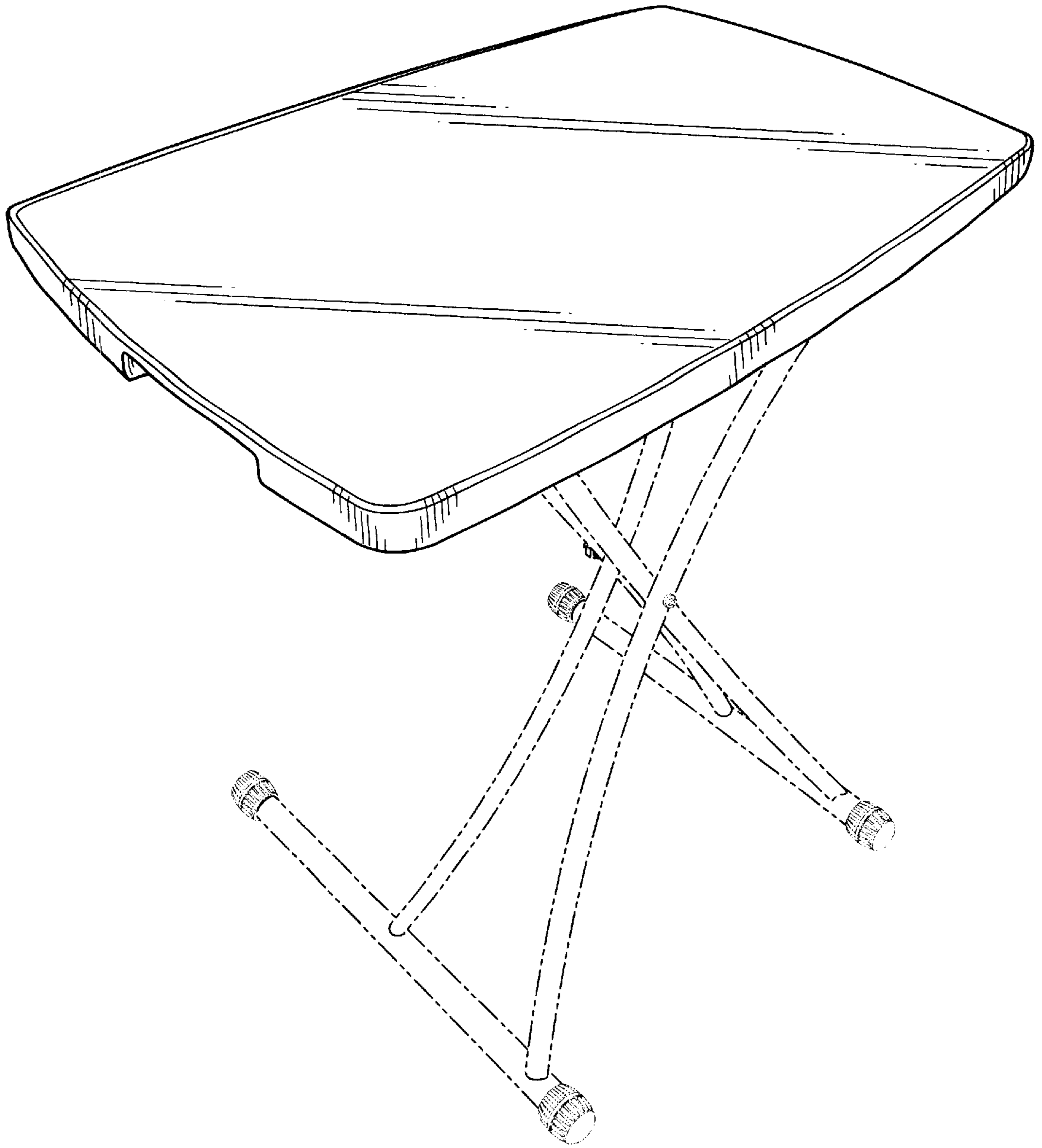


Fig. 2

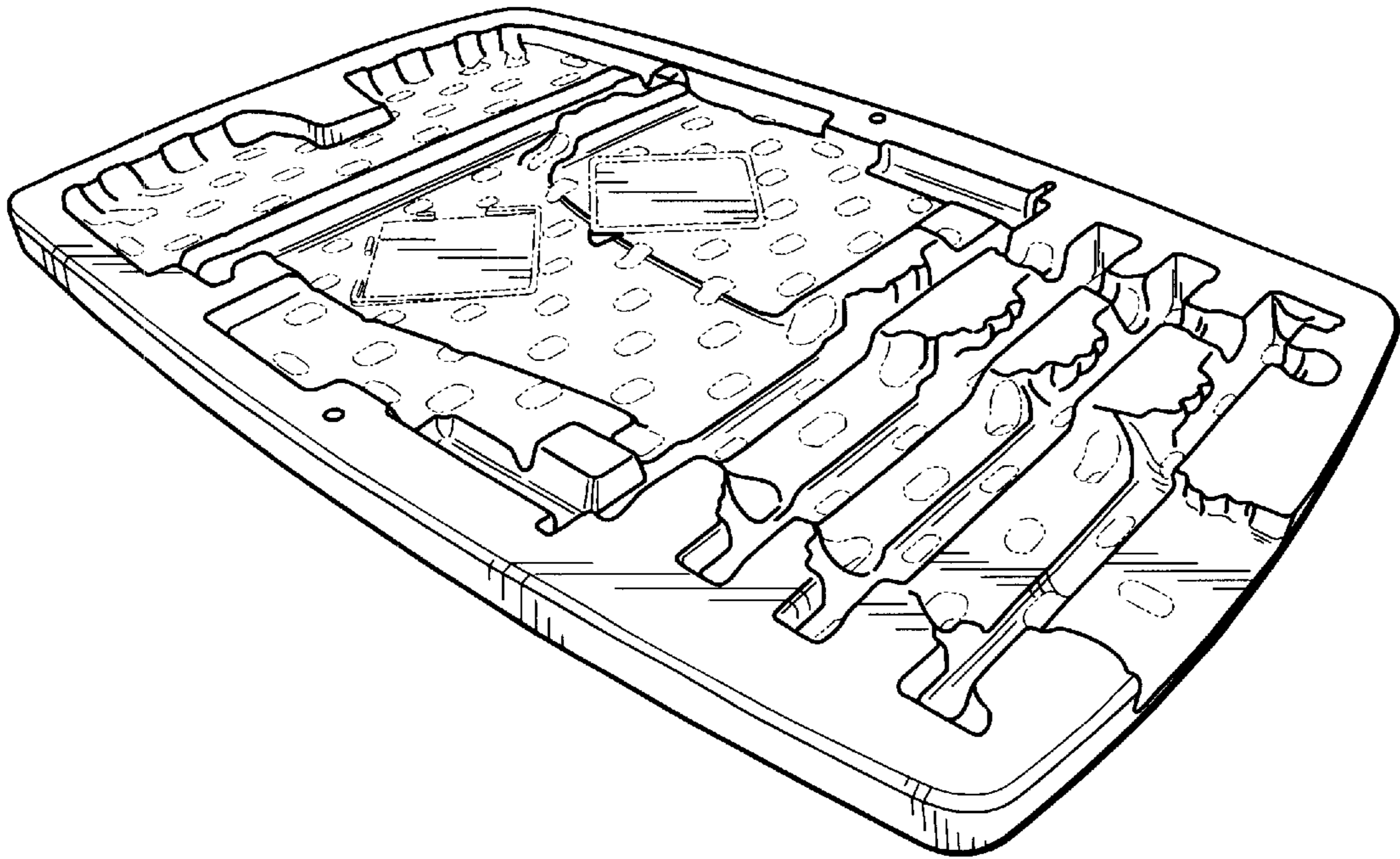


Fig. 3

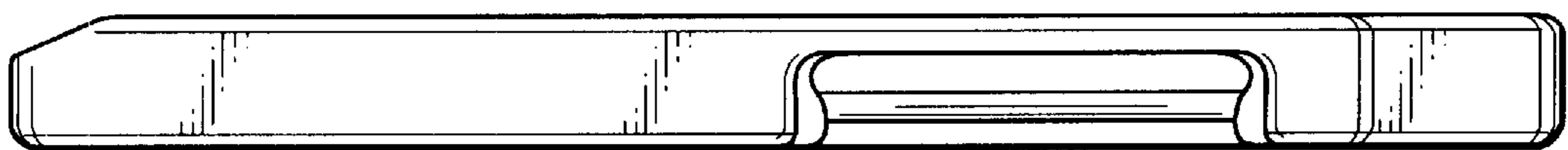


Fig. 4

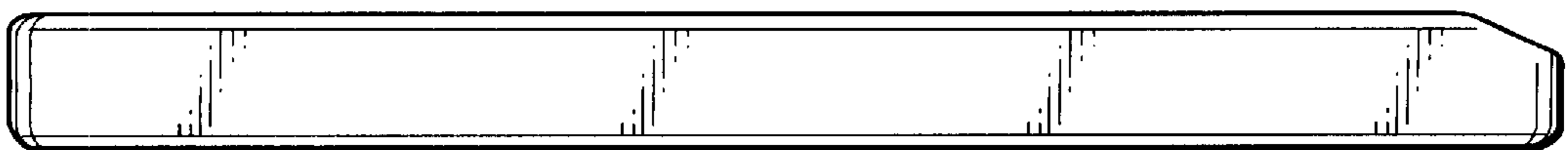


Fig. 5



Fig. 7

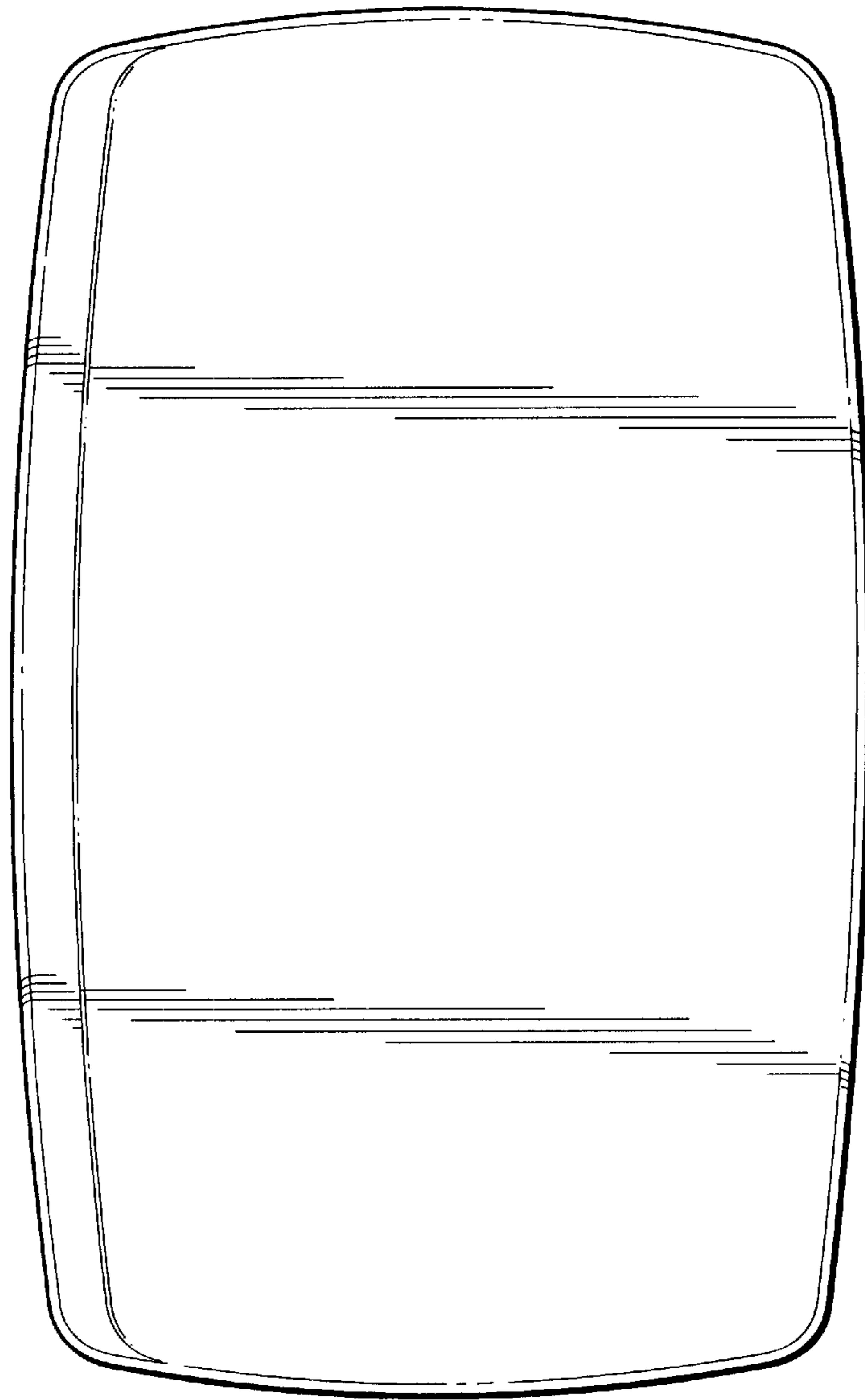


Fig. 6

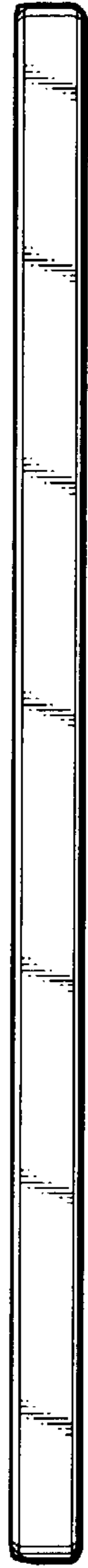


Fig. 8

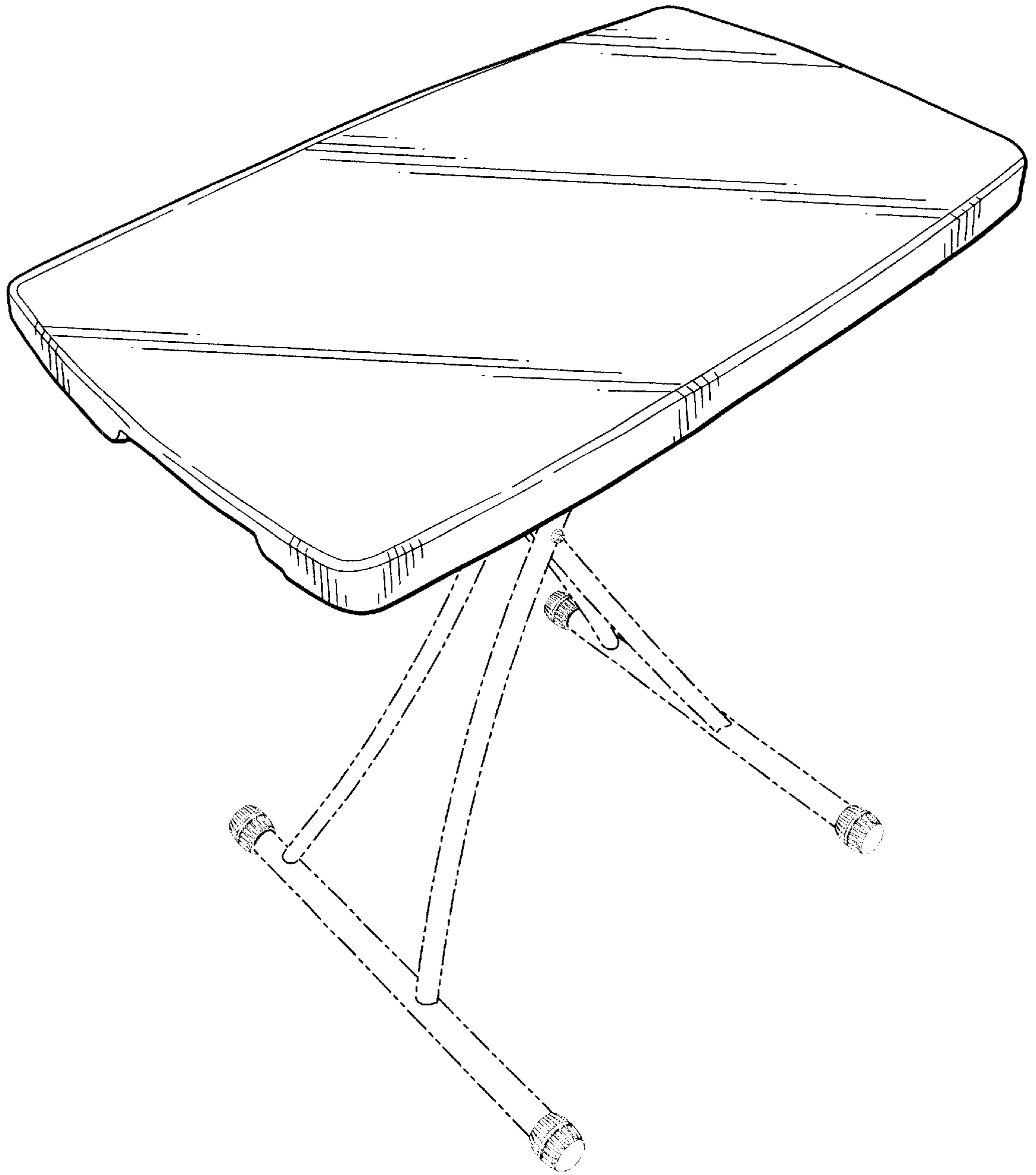


Fig. 9

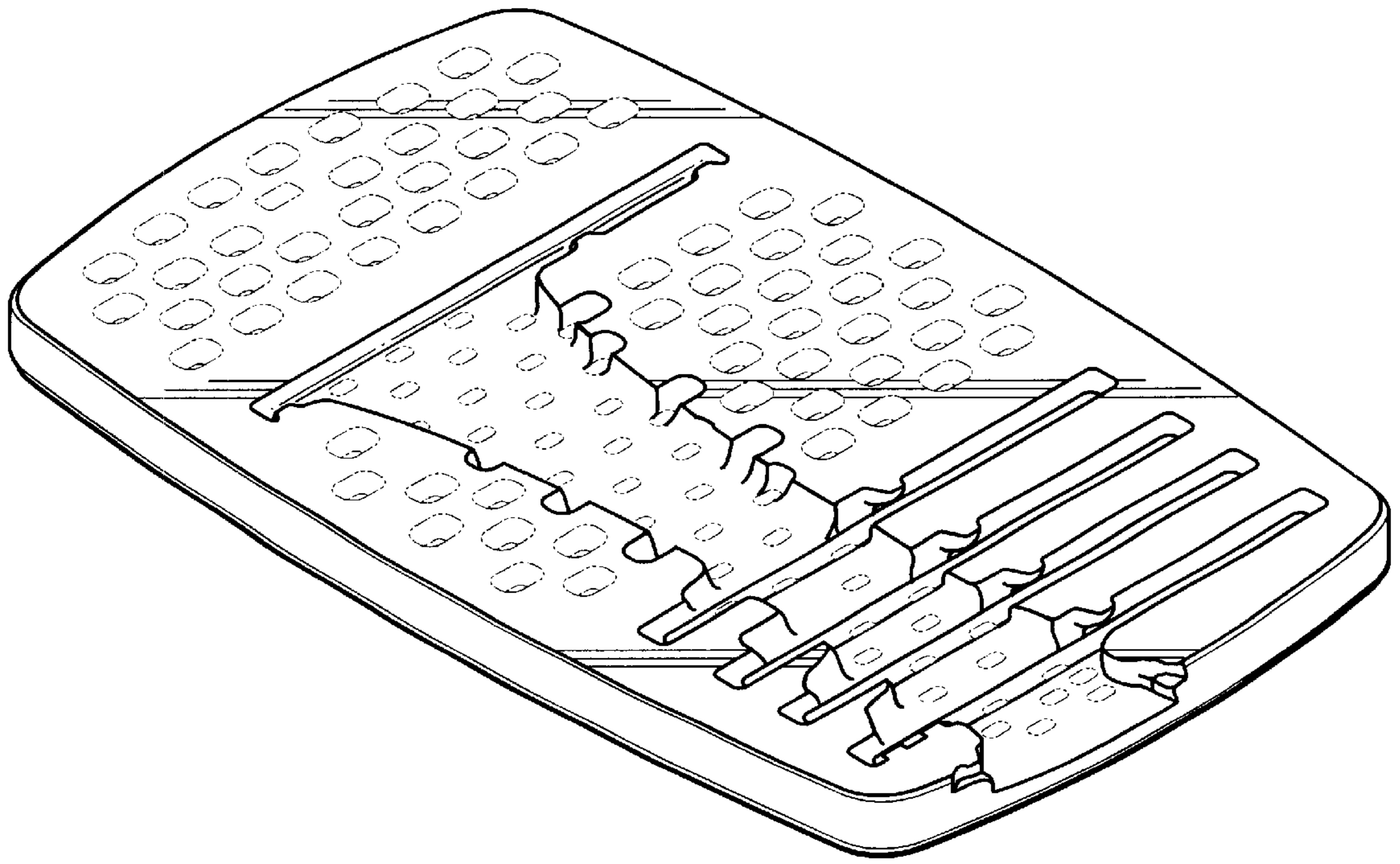


Fig. 10

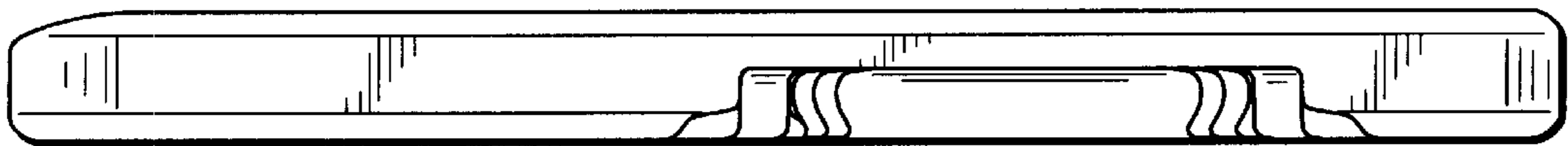


Fig. 11

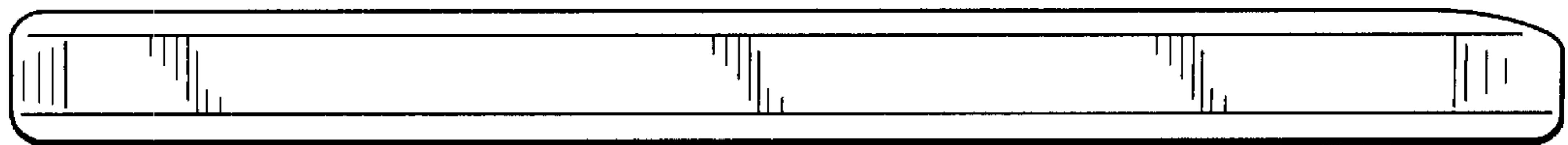


Fig. 12



Fig. 14

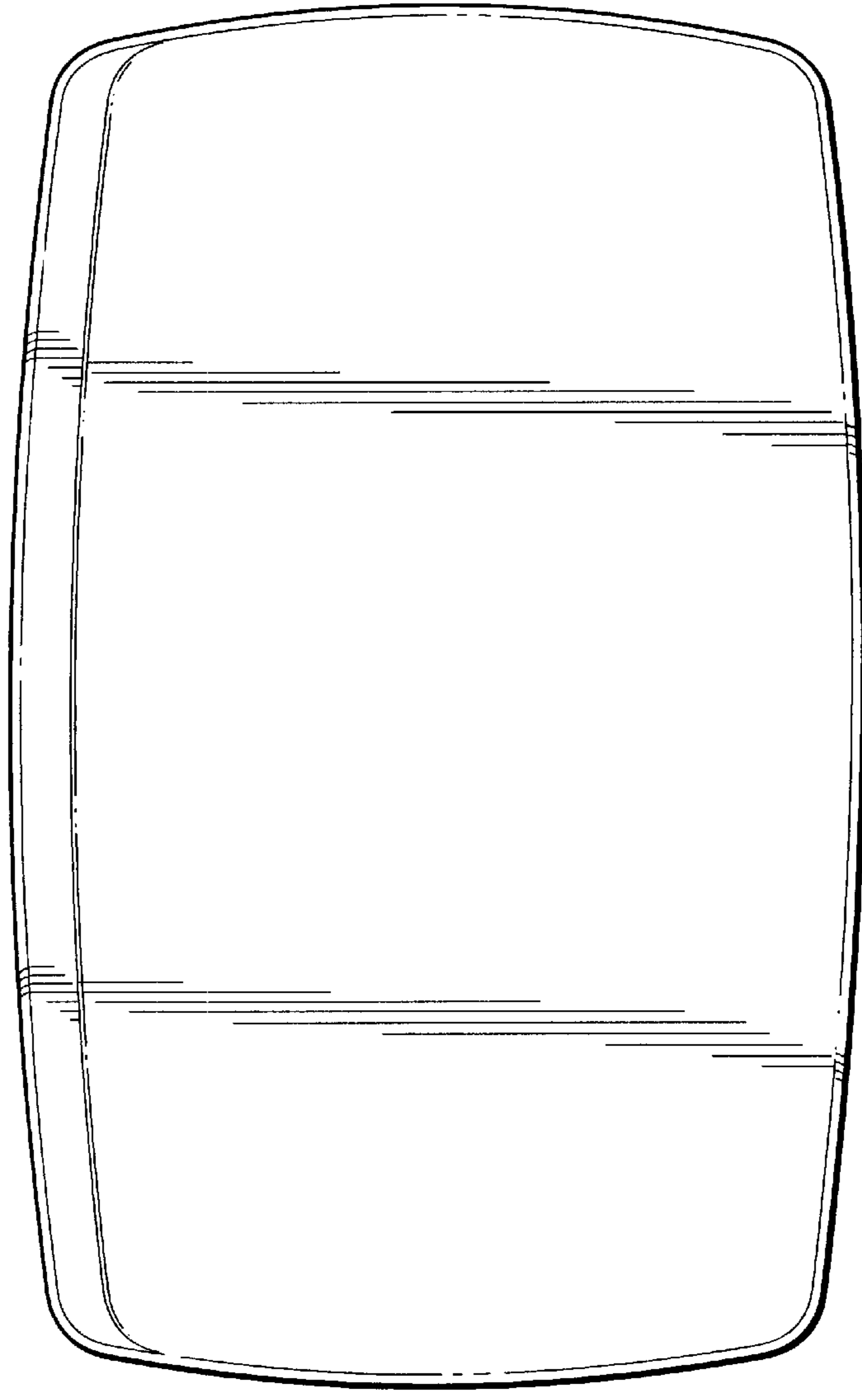


Fig. 13

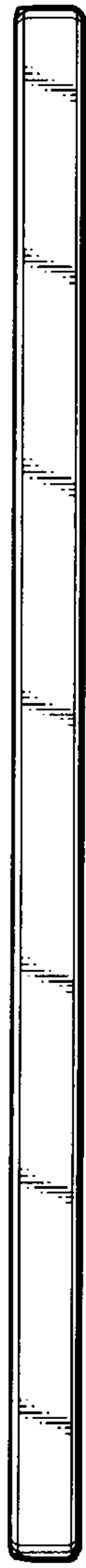


Fig. 15