



US00D470350S

(12) **United States Design Patent**
Muggleton

(10) **Patent No.:** **US D470,350 S**

(45) **Date of Patent:** **** Feb. 18, 2003**

(54) **CONSOLE FURNITURE**

(75) Inventor: **Andrew G. Muggleton**, 165 Commerce St. Unit B, Broomfield, CO (US) 80020

(73) Assignee: **Andrew G. Muggleton**, Broomfield, CO (US)

(**) Term: **14 Years**

(21) Appl. No.: **29/152,438**

(22) Filed: **Dec. 18, 2001**

(51) **LOC (7) Cl.** **06-06**

(52) **U.S. Cl.** **D6/495; D6/482**

(58) **Field of Search** D6/480-489, 495-499, D6/511, 477; 108/153.1, 155, 156, 157.1, 161; 248/188, 188.1, 188.8

(56) **References Cited**

U.S. PATENT DOCUMENTS

- D125,002 S * 2/1941 Mildwoff D6/489
- D135,508 S * 4/1943 Mildwoff D6/480

- D259,579 S * 6/1981 Kaye D6/480 X
- D337,008 S * 7/1993 Yoes et al. D6/480
- D460,298 S * 7/2002 Muggleton D6/495

* cited by examiner

Primary Examiner—Janice E. Seeger

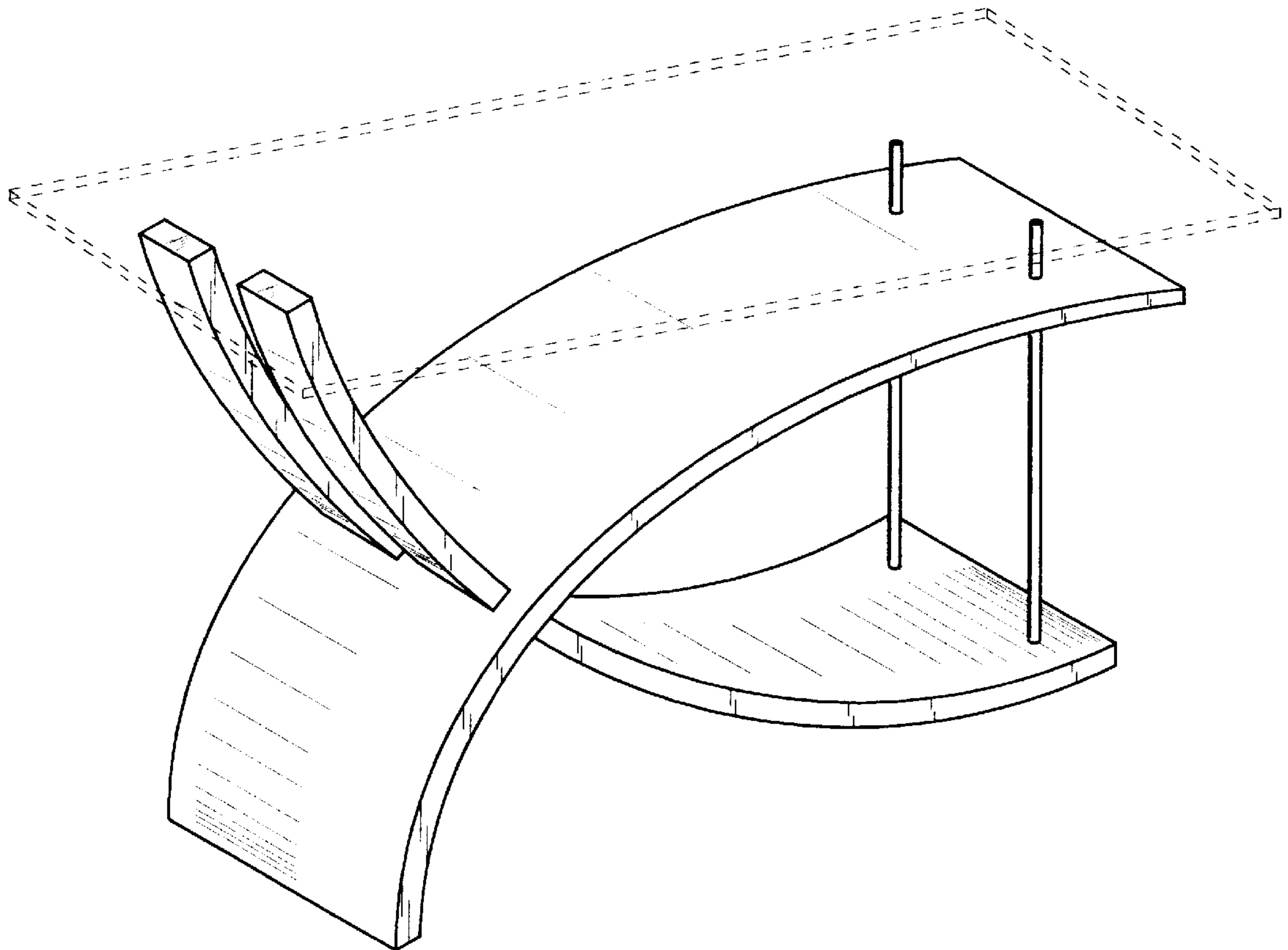
(57) **CLAIM**

The ornamental design for console furniture, as shown and described.

DESCRIPTION

FIG. 1 is a perspective view of console furniture;
 FIG. 2 is a left side elevation view thereof;
 FIG. 3 is a right side elevation view thereof;
 FIG. 4 is a top plan view thereof;
 FIG. 5 is a bottom plan view thereof;
 FIG. 6 is a front elevation view thereof; and,
 FIG. 7 is a back elevation view thereof.
 The broken lines are for environmental purposes only and form no part of the claimed design.

1 Claim, 4 Drawing Sheets



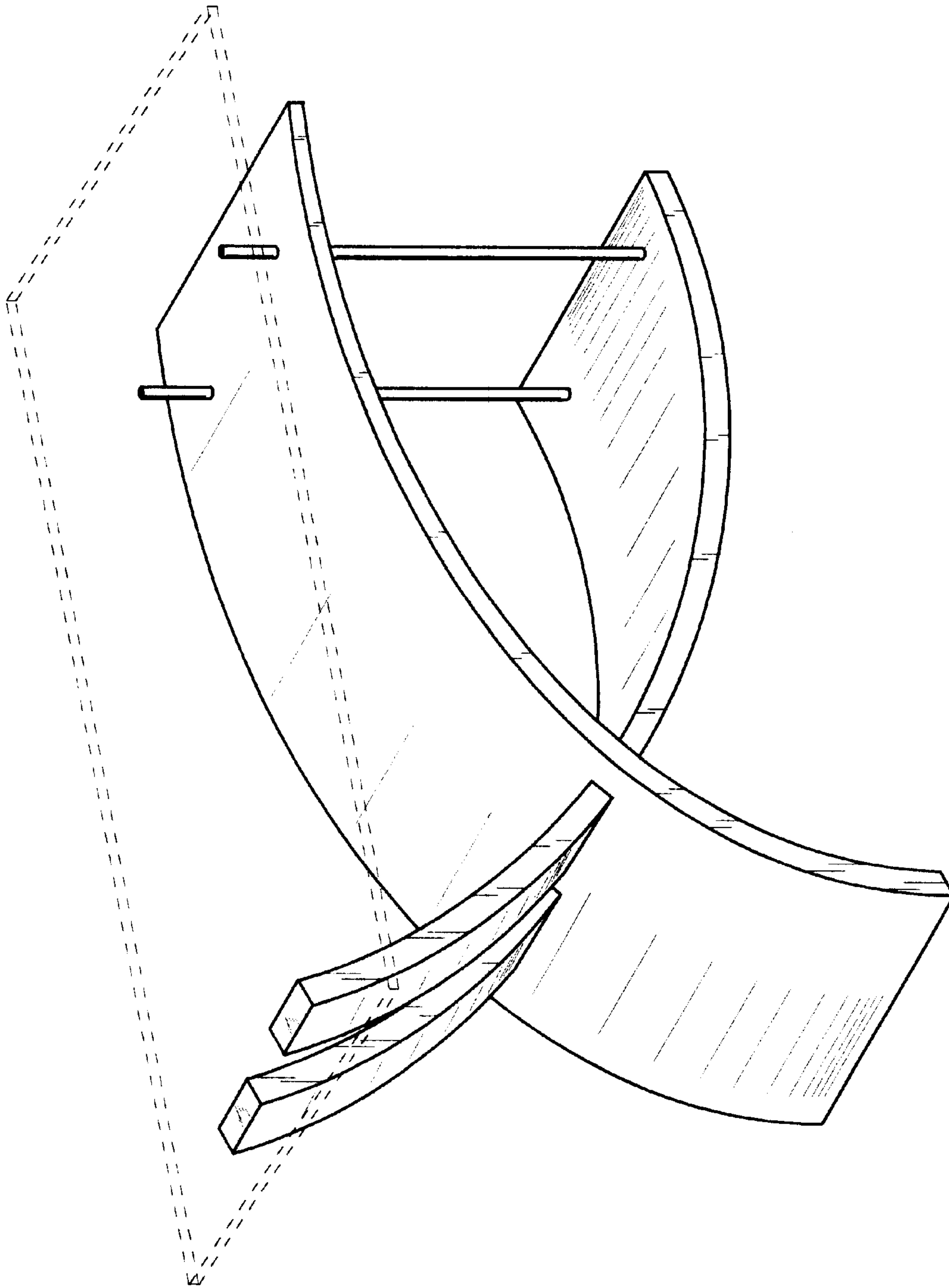


Fig. 1

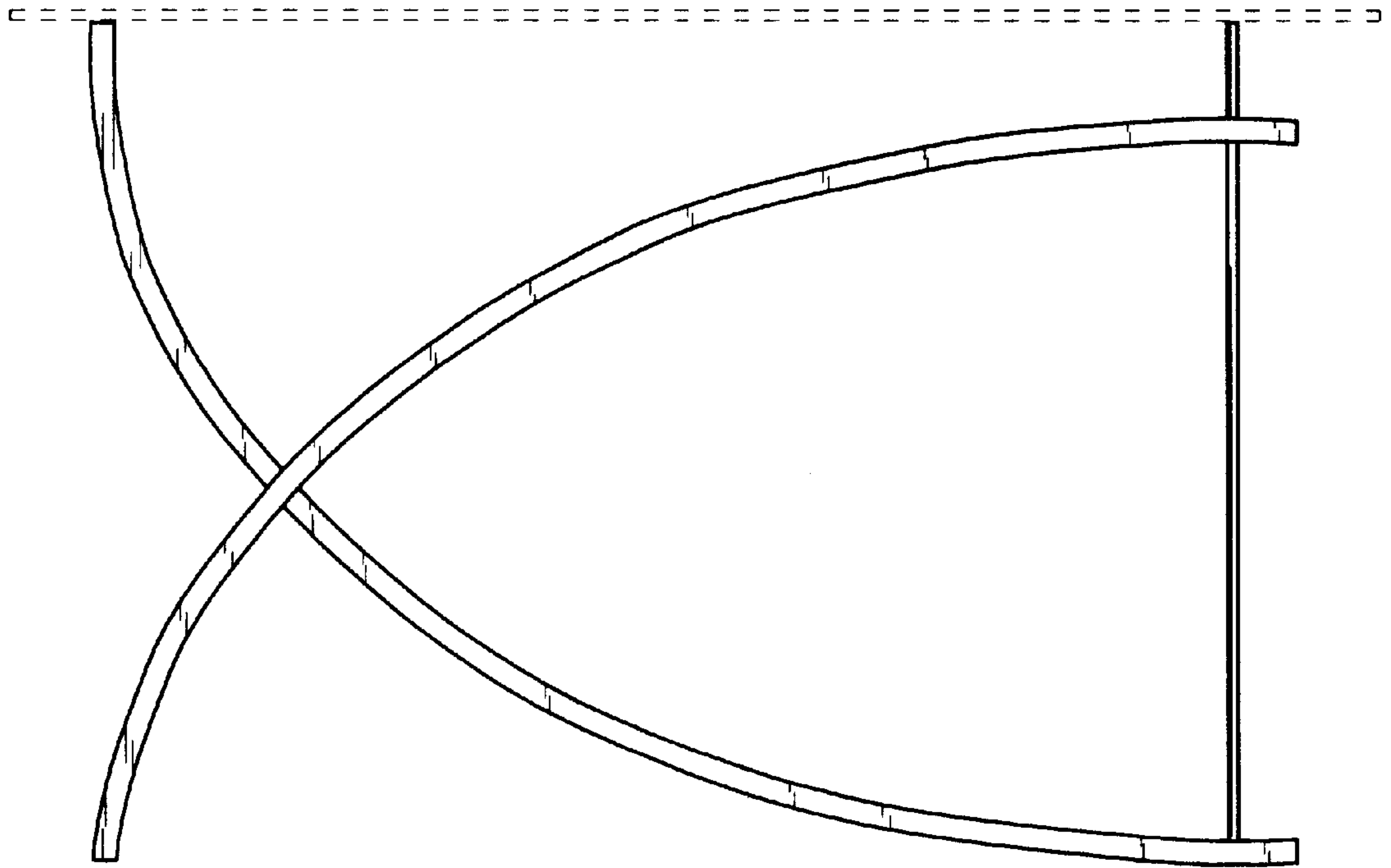


Fig. 2

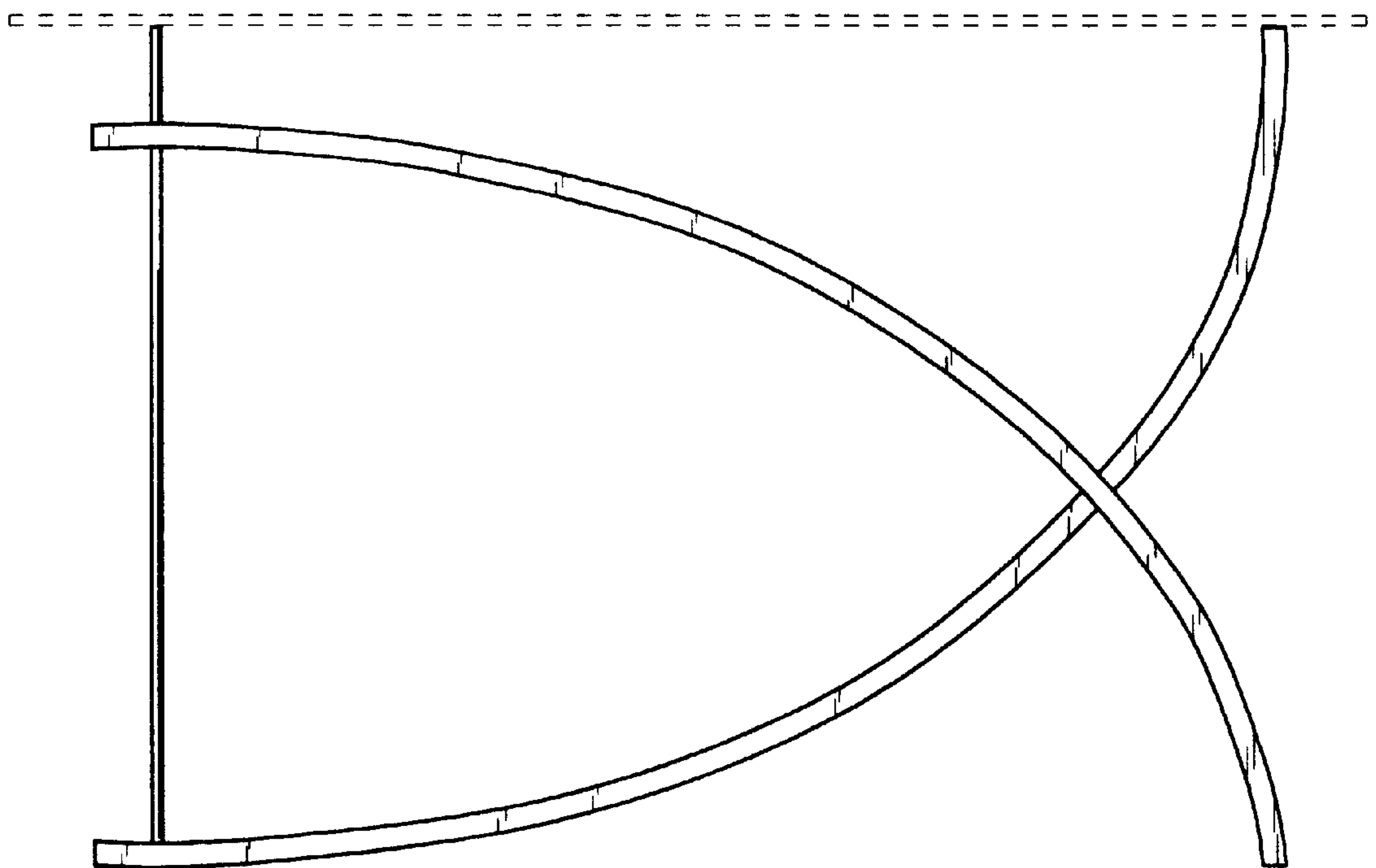


Fig. 3

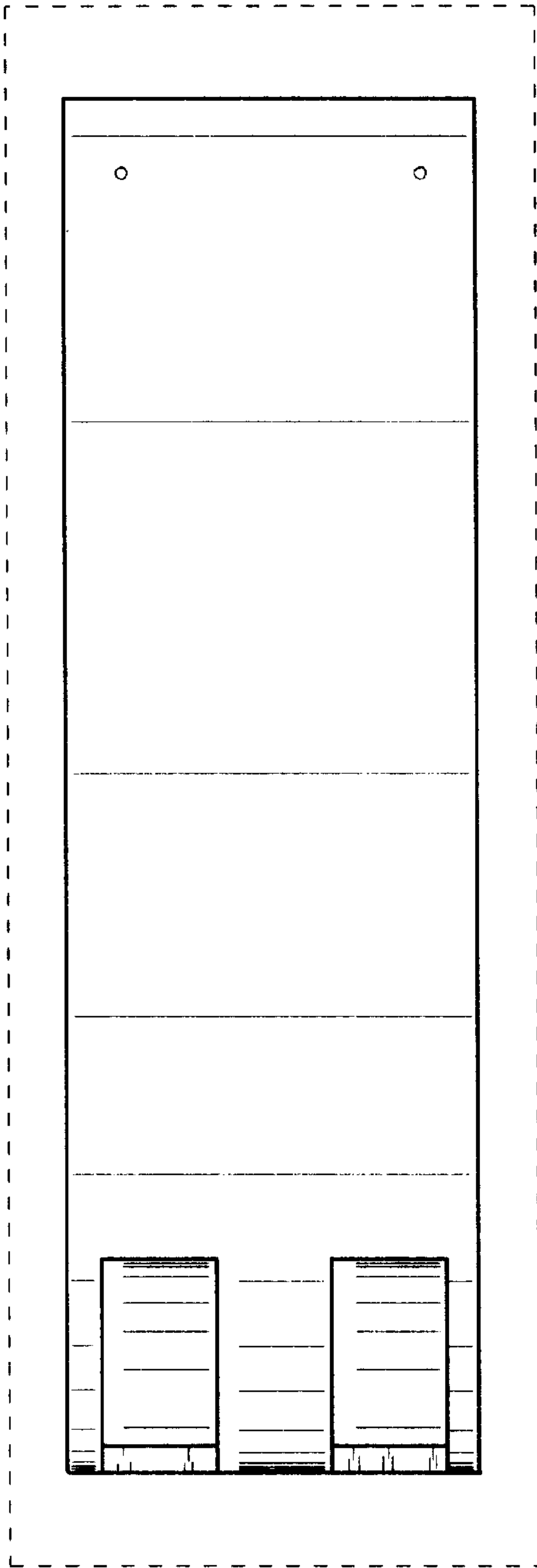


Fig. 4

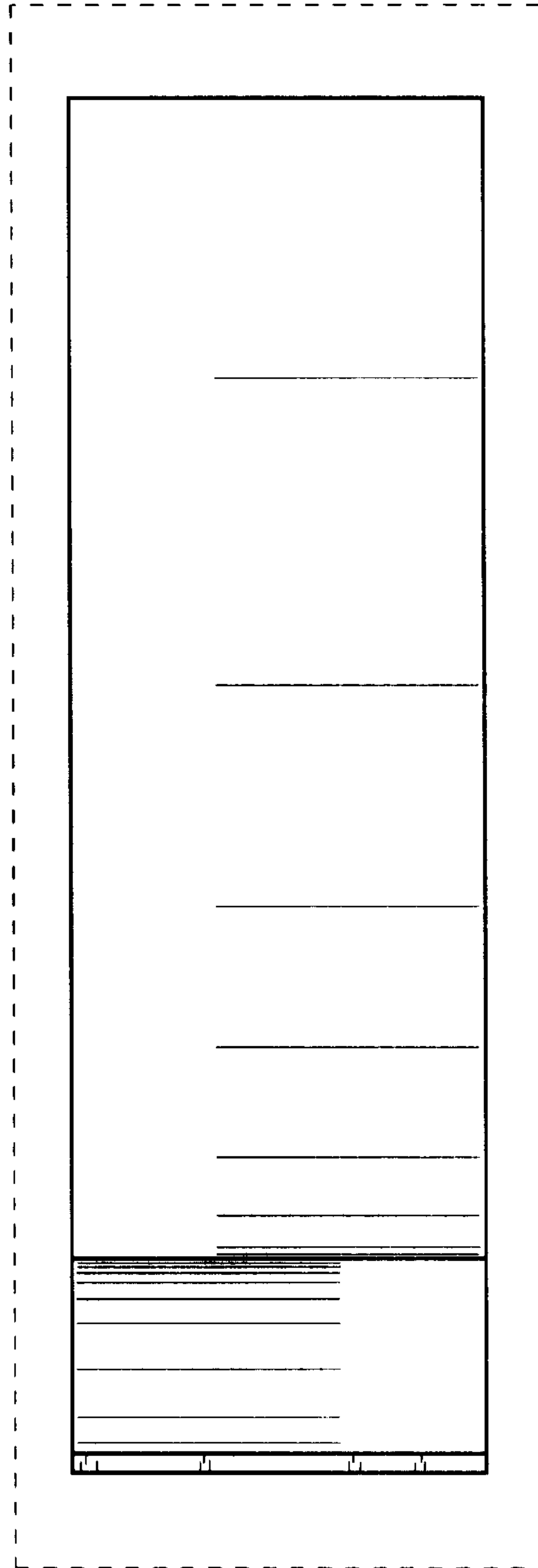


Fig. 5

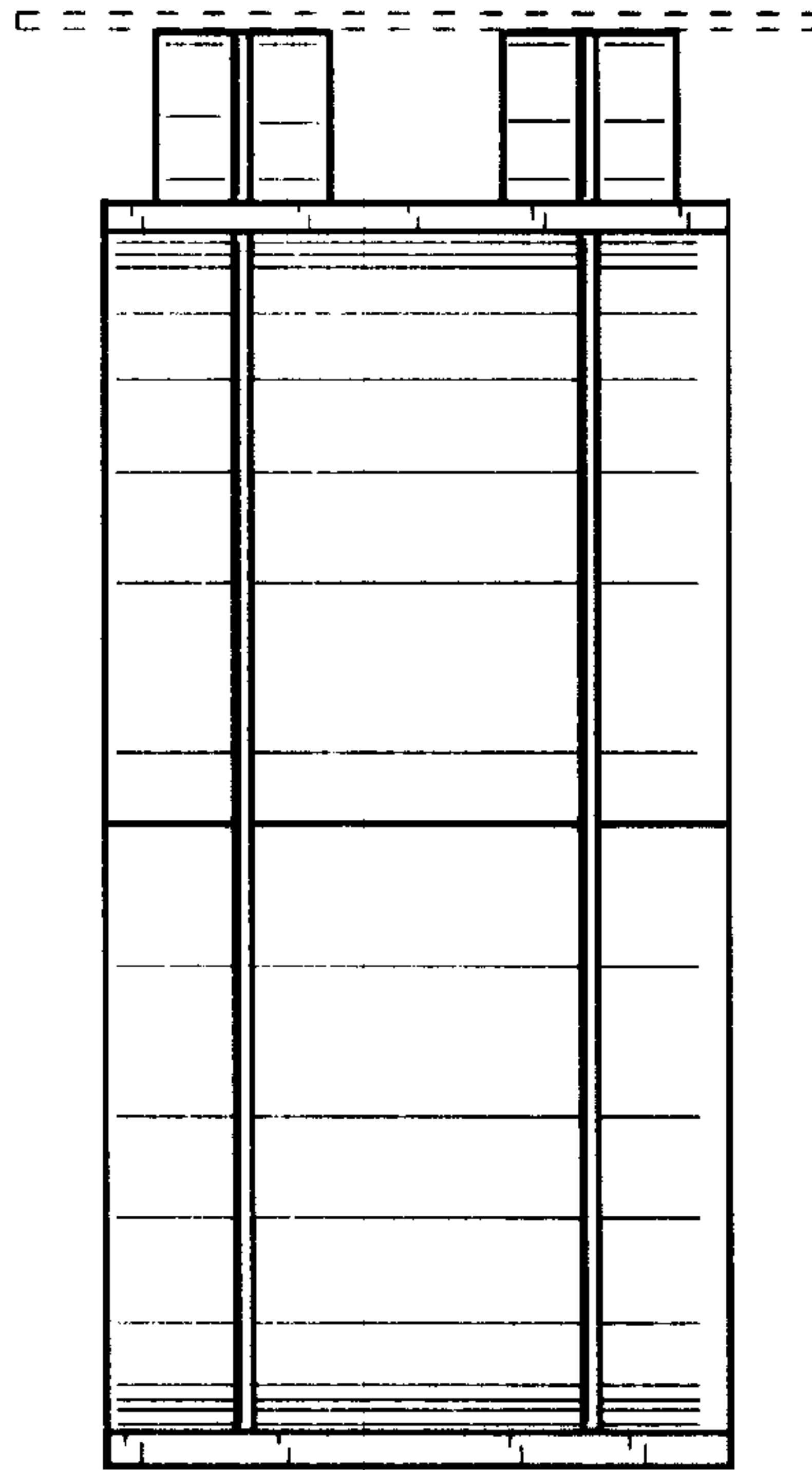


Fig. 6

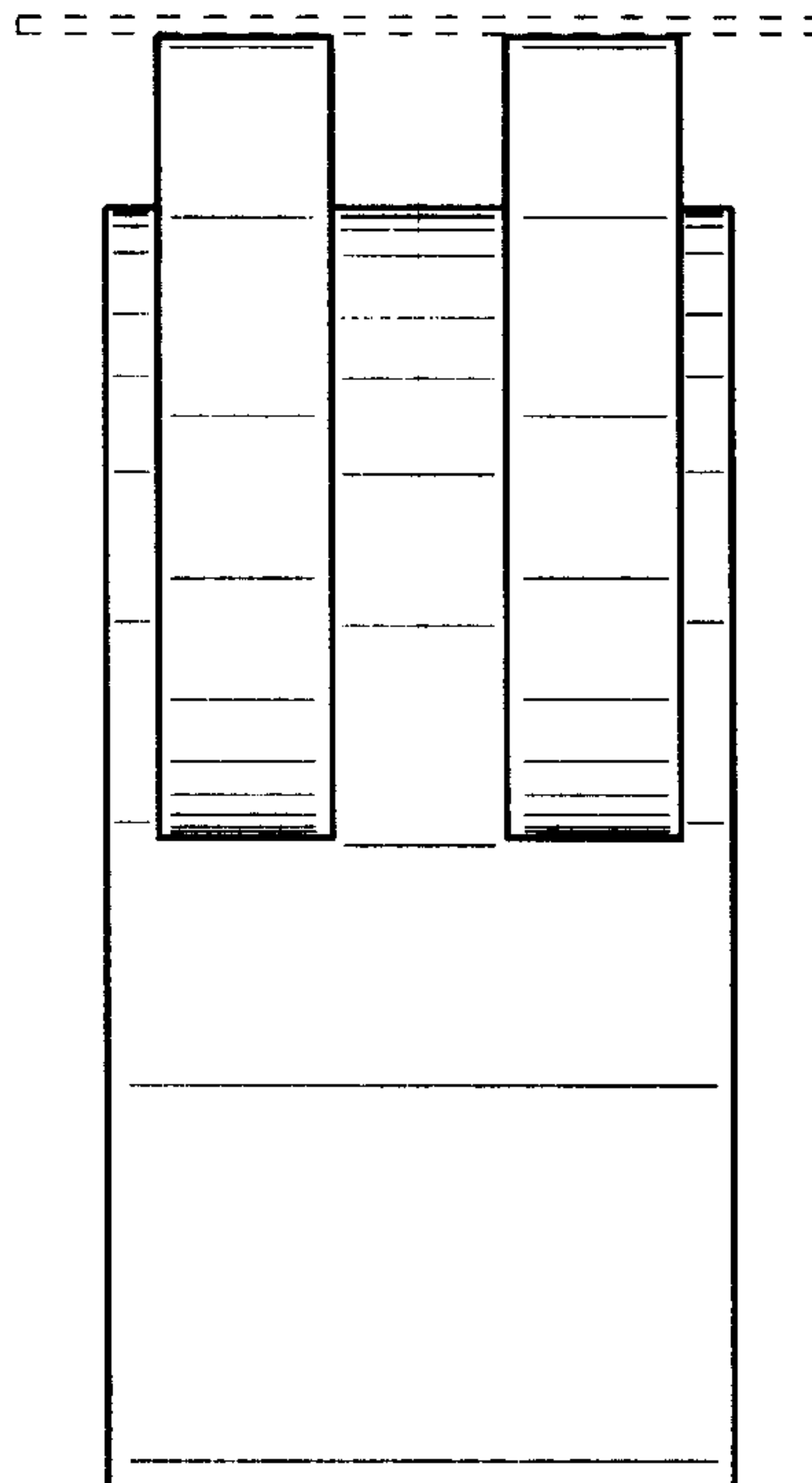


Fig. 7