



US00D470349S

(12) **United States Design Patent**
Risdall

(10) **Patent No.:** **US D470,349 S**

(45) **Date of Patent:** **** Feb. 18, 2003**

(54) **Y-COMPONENT WITH PEG FOR A STUDENT DESK**

(75) Inventor: **Charles Risdall**, Dallas, TX (US)

(73) Assignee: **Smith System Manufacturing Company**, Plano, TX (US)

(**) Term: **14 Years**

(21) Appl. No.: **29/141,076**

(22) Filed: **Apr. 30, 2001**

(51) **LOC (7) Cl.** **06-06**

(52) **U.S. Cl.** **D6/495**

(58) **Field of Search** D6/480-489, 495-499,
D6/429-431; 108/153.1, 155, 156, 157.1,
161; 248/188, 188.1, 188.8

(56) **References Cited**

U.S. PATENT DOCUMENTS

D234,735 S	*	4/1975	Podell	D6/480
D235,292 S	*	6/1975	Podell	D6/422
D257,653 S	*	12/1980	Berlic	D6/480
D437,152 S	*	2/2001	Brown et al.	D6/495

* cited by examiner

Primary Examiner—Janice E. Seeger

(74) *Attorney, Agent, or Firm*—Thompson Coburn LLP

(57) **CLAIM**

The ornamental design for a Y-component with peg for a student desk.

DESCRIPTION

FIG. 1 is a perspective view of the Y-component with peg for a student desk.

FIG. 2 is a side view of the Y-component with peg for a student desk.

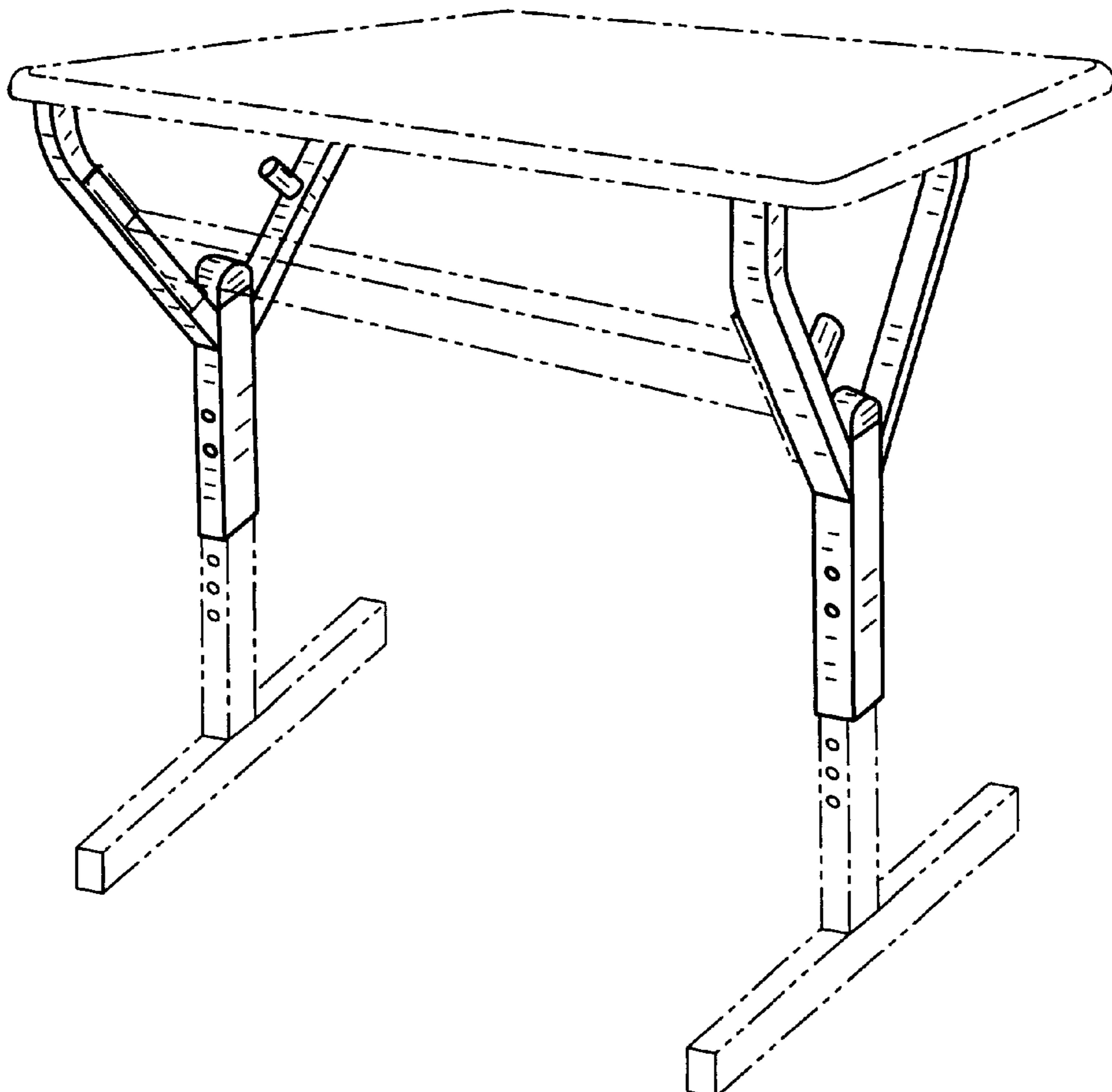
FIG. 3 is a perspective view of a Y-component with peg for a student desk, the broken lines are for environmental purposes only and form no part of the claimed design.

FIG. 4 is a front view of a Y-component with peg for a student desk.

FIG. 5 is a back view of a Y-component with peg for a student desk; and,

FIG. 6 is a right side view of a Y-component with peg for a student desk; the other side being the mirror image thereof.

1 Claim, 3 Drawing Sheets



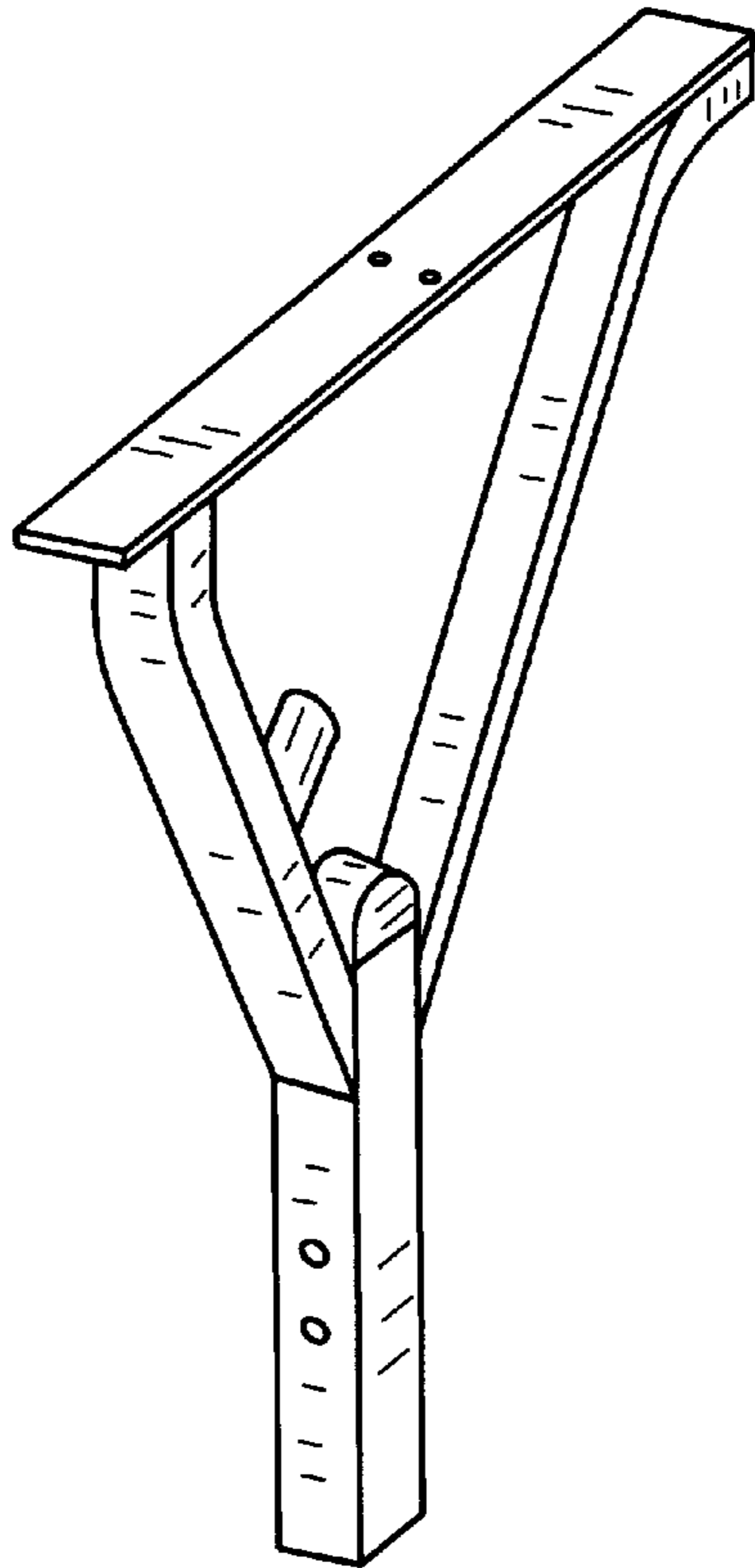


FIG. 1

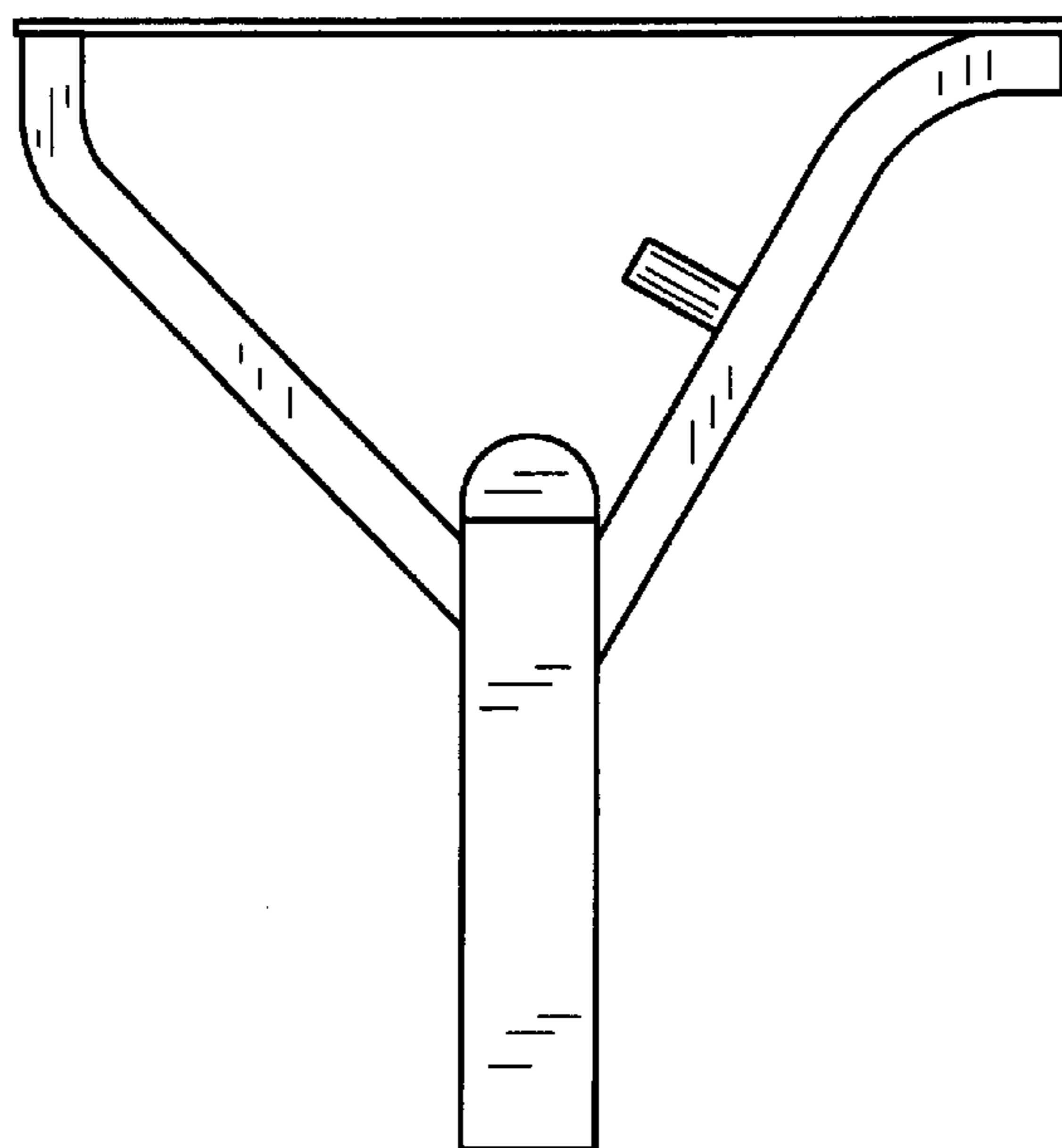
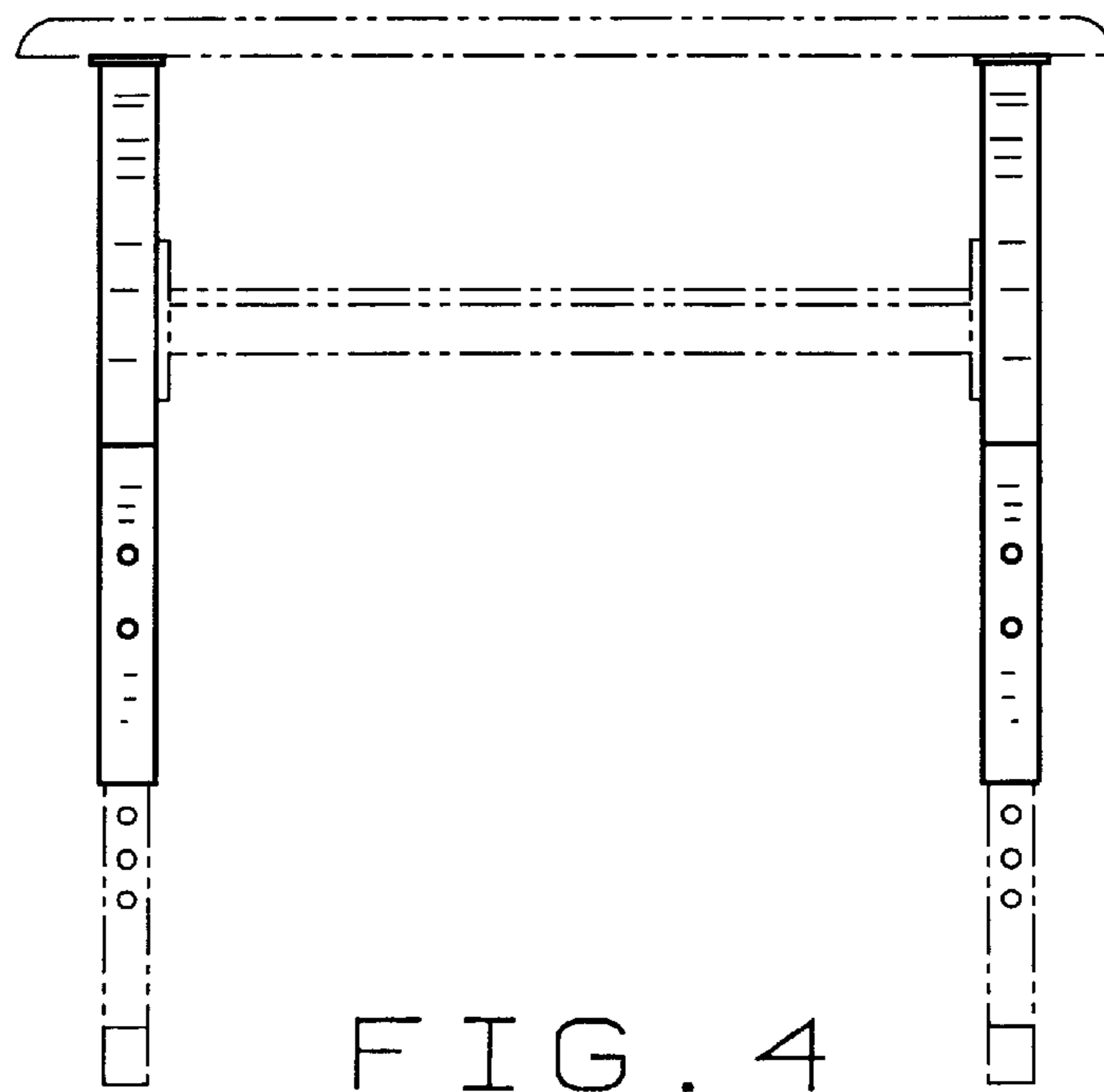
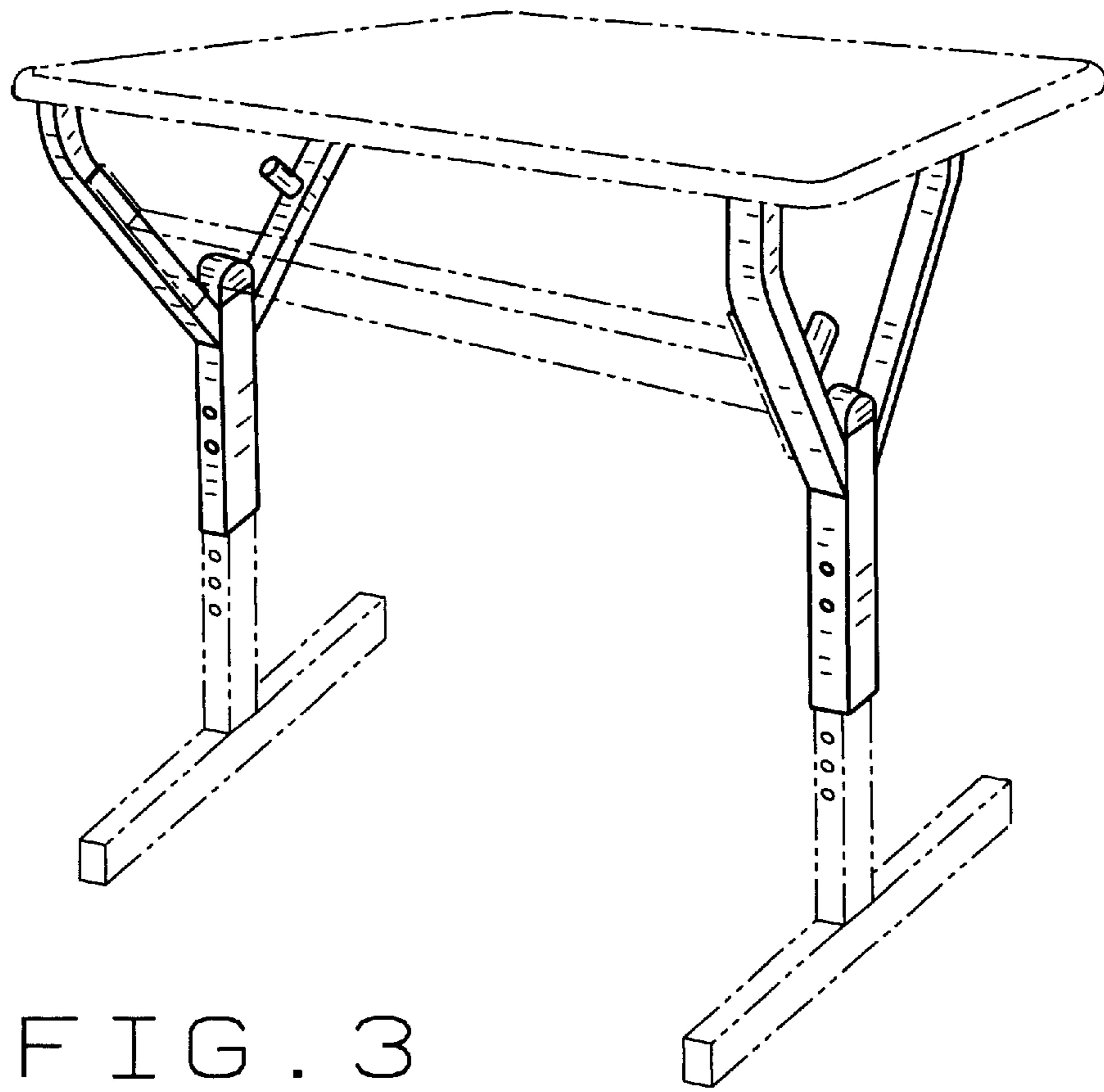


FIG. 2



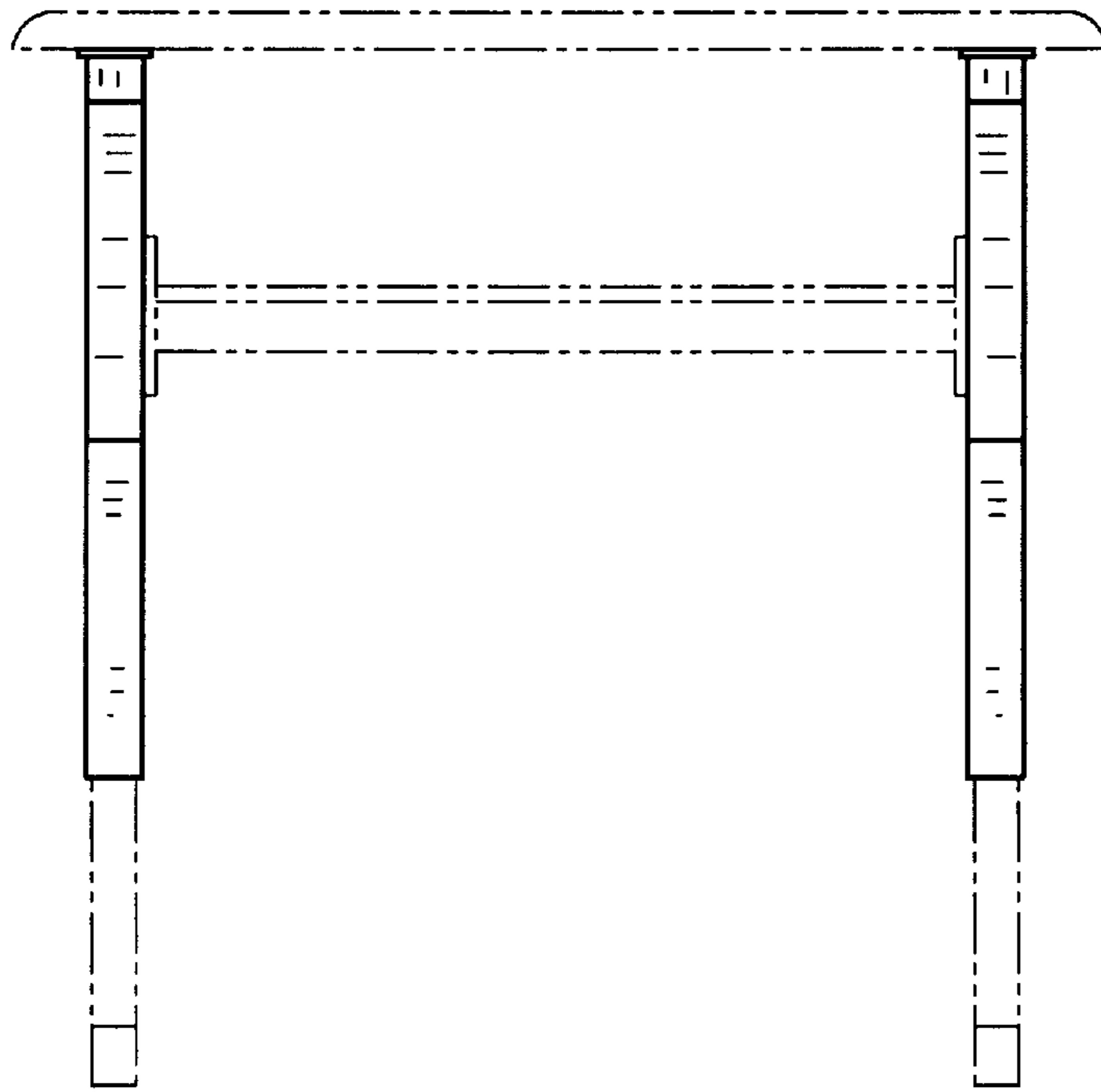


FIG. 5

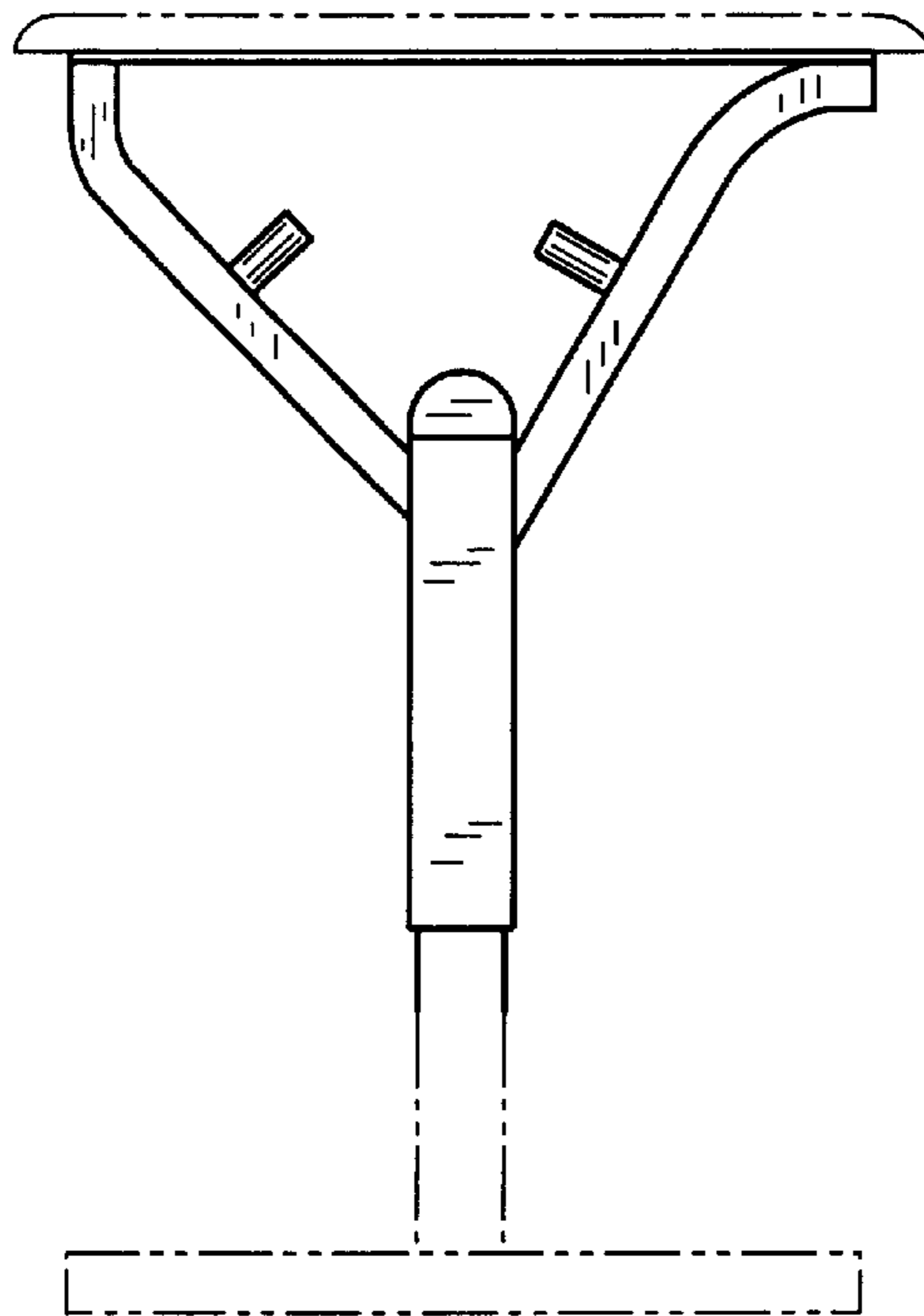


FIG. 6